



US00D625243S

(12) **United States Design Patent**  
**Holstein**

(10) **Patent No.:** **US D625,243 S**

(45) **Date of Patent:** **\*\* Oct. 12, 2010**

(54) **WHEEL OR WHEEL COVER**

(75) Inventor: **Henning Holstein**, Dietersburg (DE)

(73) Assignee: **Bayerische Motoren Werke  
Aktiengesellschaft**, Munich (DE)

(\*\*) Term: **14 Years**

(21) Appl. No.: **29/357,593**

(22) Filed: **Mar. 15, 2010**

(30) **Foreign Application Priority Data**

Sep. 16, 2009 (DE) ..... 402009004624

(51) **LOC (9) Cl.** ..... **12-16**

(52) **U.S. Cl.** ..... **D12/211**

(58) **Field of Classification Search** ..... D12/204-213;  
301/37.101, 64.101, 65, 64.201  
See application file for complete search history.

(56) **References Cited**

**U.S. PATENT DOCUMENTS**

D407,364 S	3/1999	Fisker	
D422,258 S *	4/2000	Hale, Jr.	D12/211
D426,184 S	6/2000	Goplen	
D469,048 S	1/2003	van Hooydonk	
D480,036 S *	9/2003	Laengerer	D12/211
D483,714 S *	12/2003	Warming	D12/211
D486,770 S	2/2004	Pollmann	
D497,863 S *	11/2004	Cahyono	D12/209
D500,004 S	12/2004	Szavits	
D517,970 S *	3/2006	Pollmann	D12/209
D532,737 S	11/2006	Clottu	
D535,605 S *	1/2007	Guevara	D12/211

D543,493 S *	5/2007	Kim	D12/209
D548,165 S *	8/2007	Young	D12/211
D563,305 S	3/2008	Schweizer	
D609,623 S *	2/2010	Gallert	D12/209
D614,112 S *	4/2010	Tant et al.	D12/211

**FOREIGN PATENT DOCUMENTS**

DE	M9804702.7	2/1999
DE	49904345.6	11/1999
DE	40006568.1	10/2000
DE	40010998.0	3/2001
DE	40202745.0	7/2002
EM	000141791-0006	6/2004
EM	000521117-0003	7/2006
EM	000689344-0001	1/2008

\* cited by examiner

*Primary Examiner*—Stacia Cadmus

(74) *Attorney, Agent, or Firm*—Crowell & Moring LLP

(57) **CLAIM**

The ornamental design for a wheel or wheel cover, as shown and described.

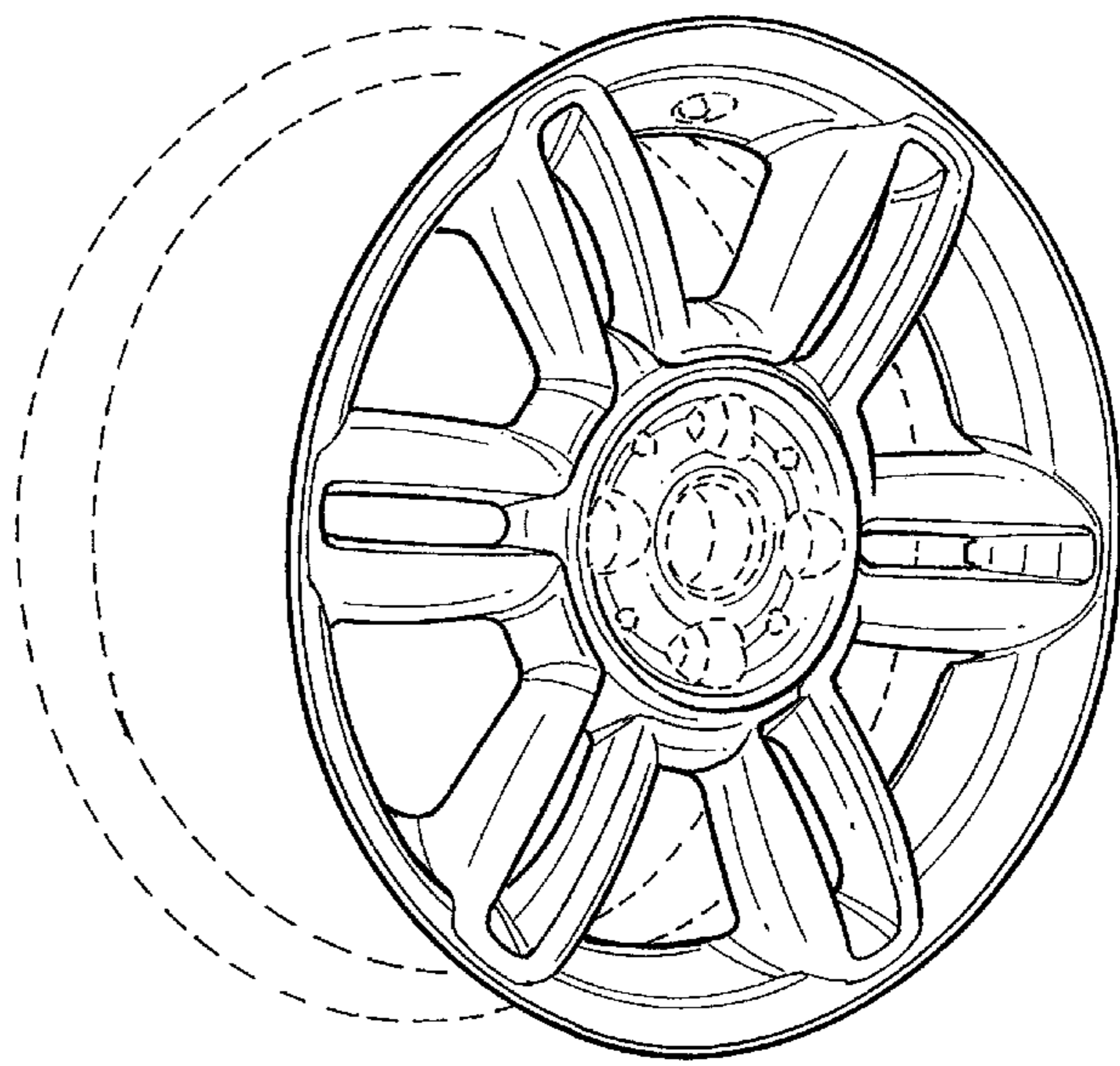
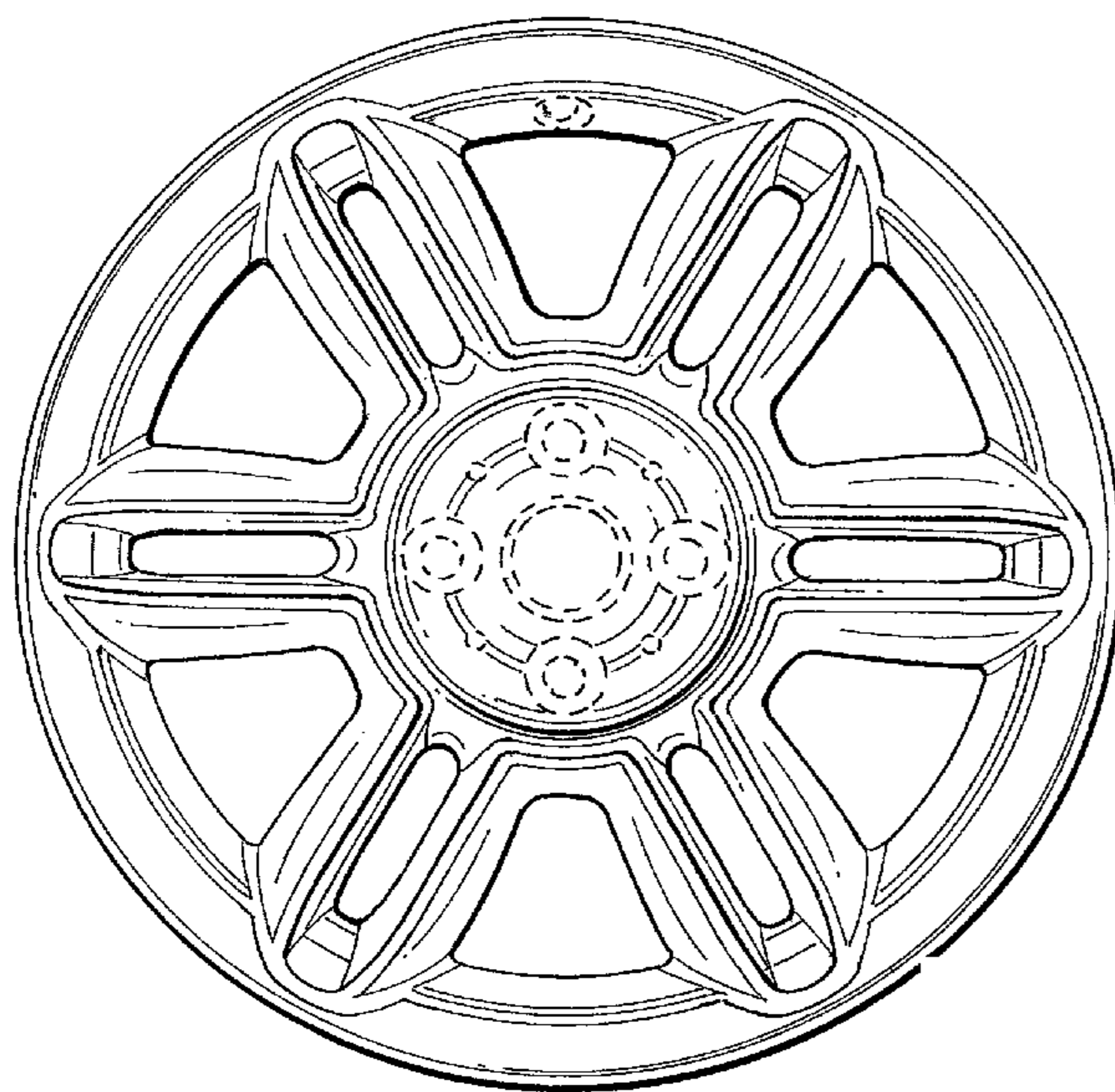
**DESCRIPTION**

FIG. 1 is a front view of a wheel or wheel cover according to my design; and,

FIG. 2 is a perspective view thereof.

The broken line showing of the rear of the rim and the bolt holes and center hole in the central hub area is included for the purpose of illustrating environment and forms no part of the claimed design.

**1 Claim, 1 Drawing Sheet**



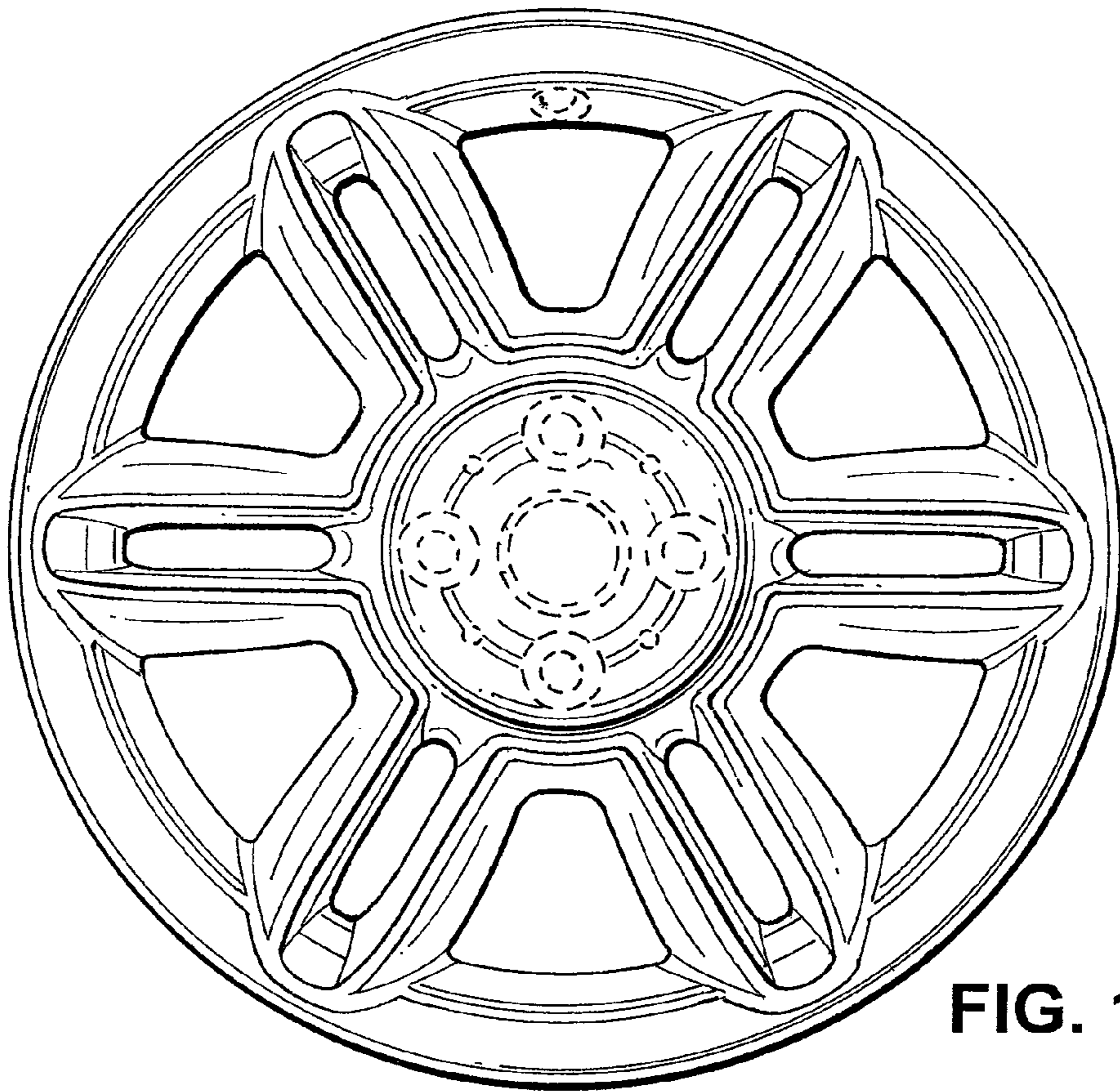


FIG. 1

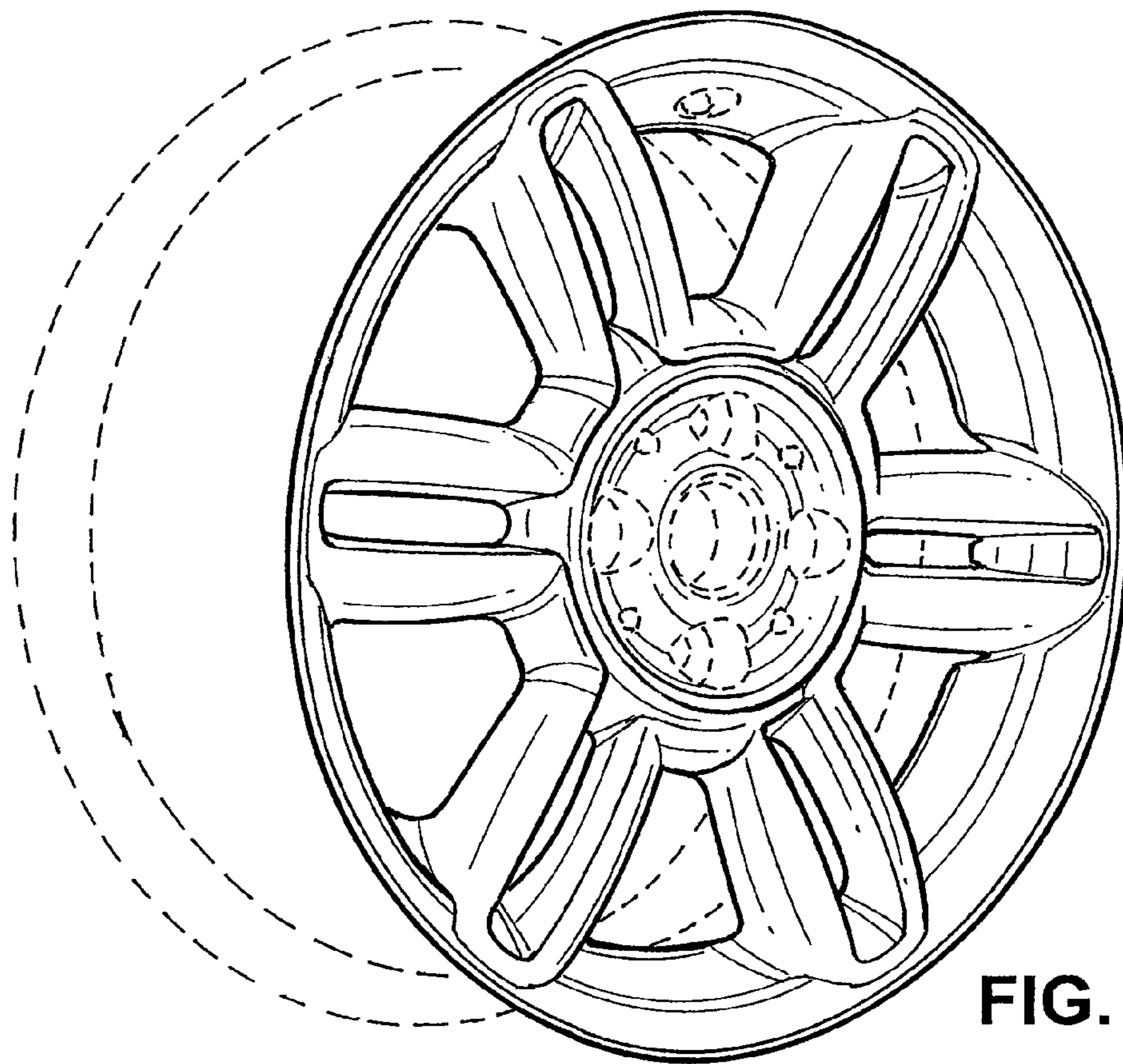


FIG. 2