



US00D625242S

(12) **United States Design Patent**
Zhao

(10) **Patent No.:** **US D625,242 S**

(45) **Date of Patent:** **** Oct. 12, 2010**

(54) **FRONT FACE OF A VEHICLE WHEEL**

(76) **Inventor:** **John Zhao**, 283 E. Garvey Ave.,
Monterey Park, CA (US) 91755

(**) **Term:** **14 Years**

(21) **Appl. No.:** **29/355,115**

(22) **Filed:** **Feb. 2, 2010**

(51) **LOC (9) Cl.** **12-16**

(52) **U.S. Cl.** **D12/211**

(58) **Field of Classification Search** D12/204–213;
301/37.101, 64.101, 65, 64.201

See application file for complete search history.

(56) **References Cited**

U.S. PATENT DOCUMENTS

D505,375 S	*	5/2005	Kushartanto	D12/211
D514,052 S	*	1/2006	Walbey, Jr.	D12/211
D536,655 S	*	2/2007	Kim	D12/211
D543,922 S	*	6/2007	Young	D12/209
D545,749 S	*	7/2007	Young	D12/211
D548,167 S	*	8/2007	Groom	D12/211
D551,148 S	*	9/2007	Musser	D12/211
D570,276 S	*	6/2008	Chung	D12/211
D573,082 S	*	7/2008	Young	D12/211
D578,458 S	*	10/2008	Cortes	D12/211

D579,845 S	*	11/2008	Chung	D12/209
D582,829 S	*	12/2008	Musser	D12/211
D582,830 S	*	12/2008	Musser	D12/211
D590,315 S	*	4/2009	Chung	D12/209
D591,663 S	*	5/2009	Chung	D12/211

* cited by examiner

Primary Examiner—Stacia Cadmus

(74) *Attorney, Agent, or Firm*—Procopio, Cory, Hargreaves
& Savitch LLP

(57) **CLAIM**

The ornamental design for a front face of a vehicle wheel, as shown and described.

DESCRIPTION

FIG. 1 a perspective view of a front face of vehicle wheel embodying my new design;

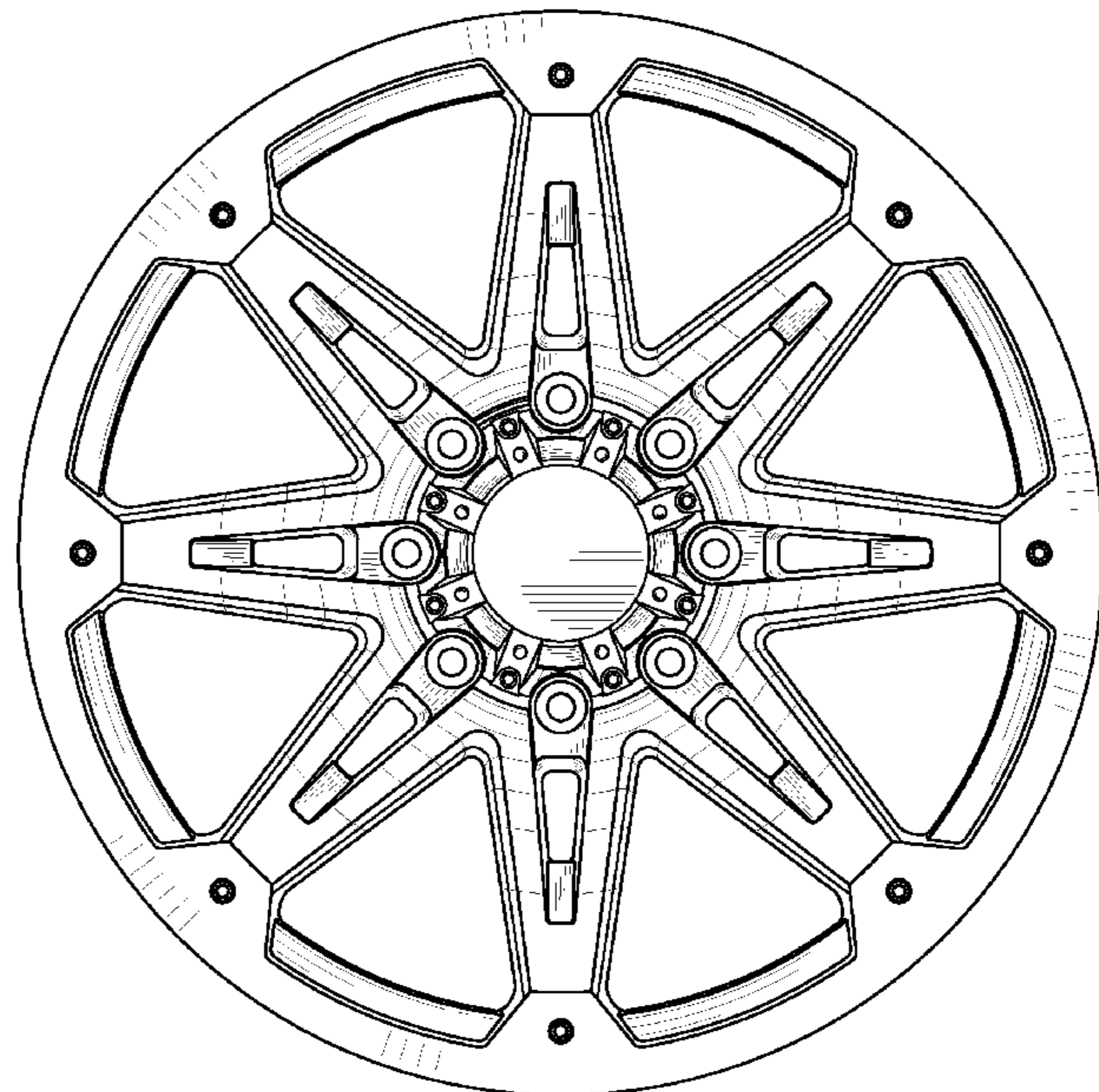
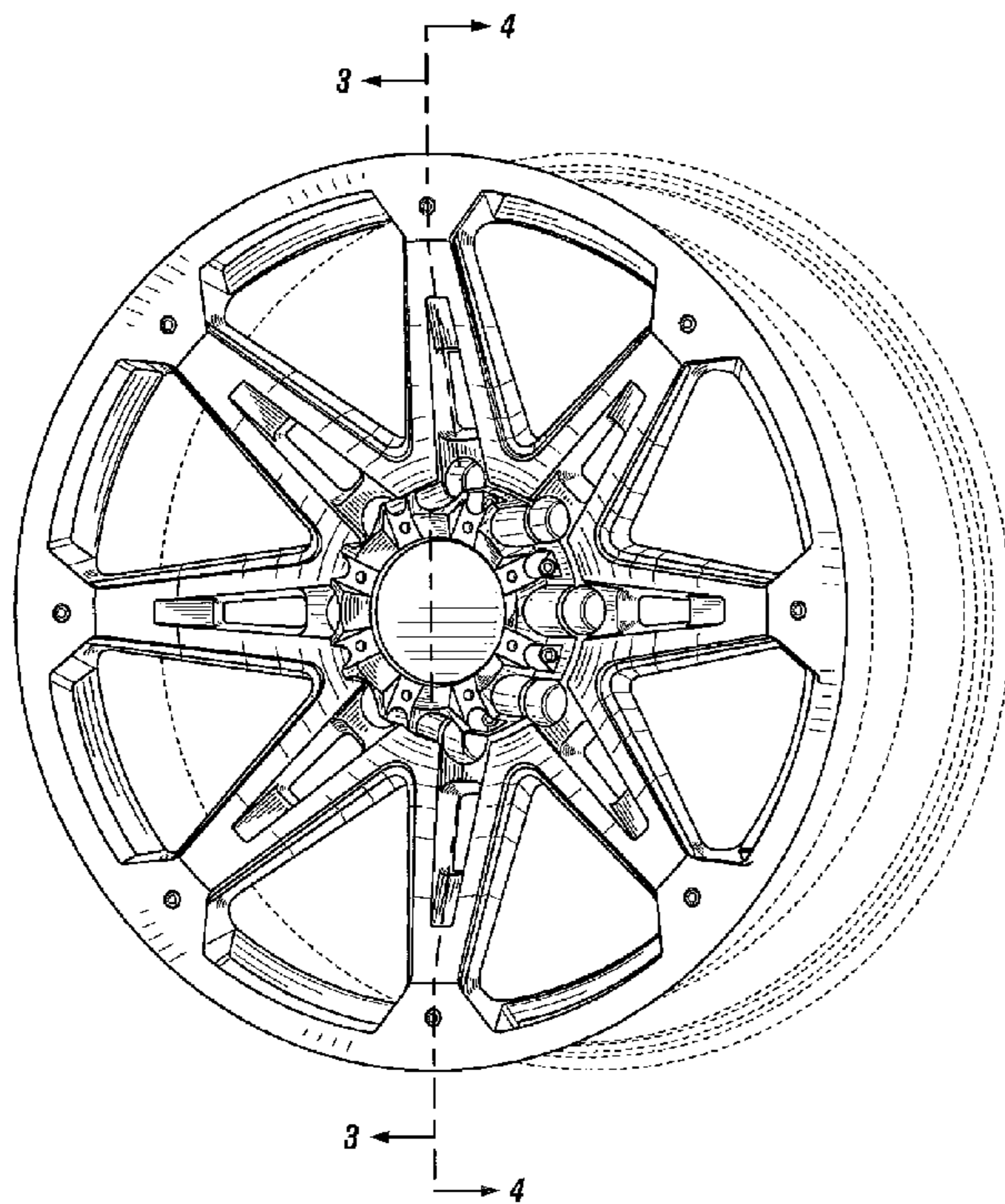
FIG. 2 is a front view thereof; and,

FIG. 3 is a partial perspective view on an enlarged scale of the front face only along line 3—3 as seen in FIG. 1; and,

FIG. 4 is a partial perspective view on the same enlarged scale on line 4—4 of the front face only as seen in FIG. 1.

The broken lines are for illustrative purposes only and form no part of the claimed design.

1 Claim, 4 Drawing Sheets



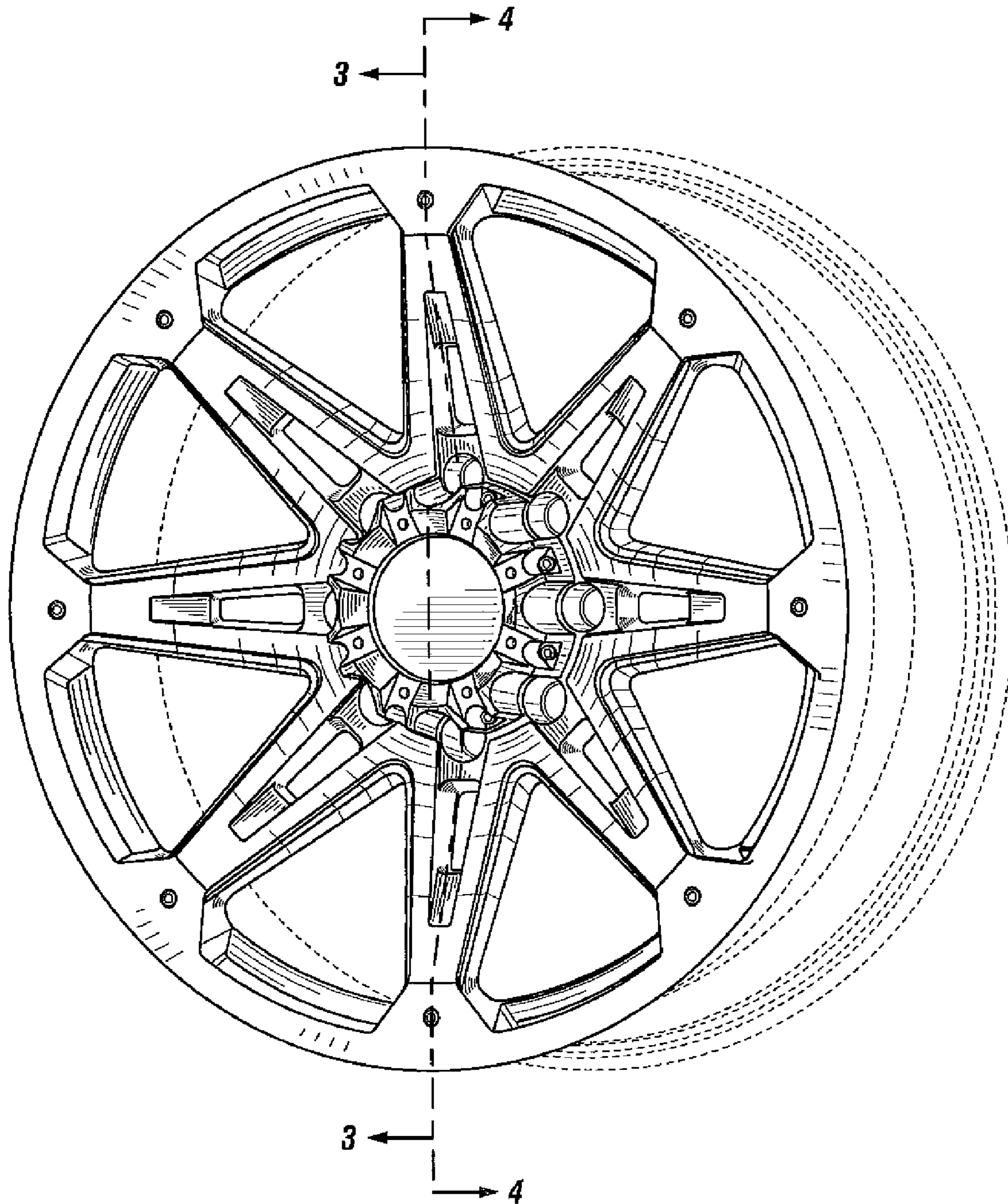


FIG. 1

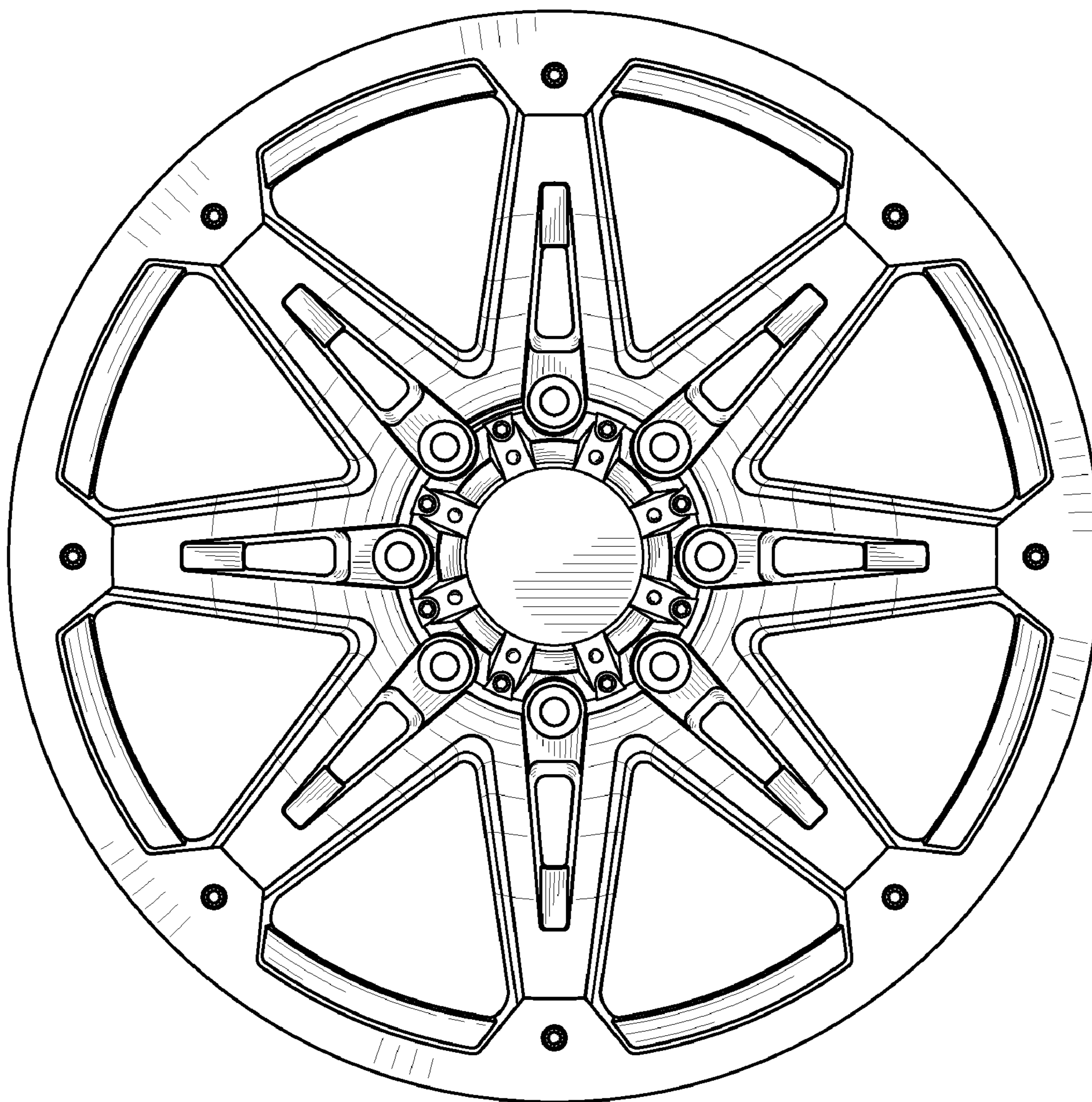


FIG. 2

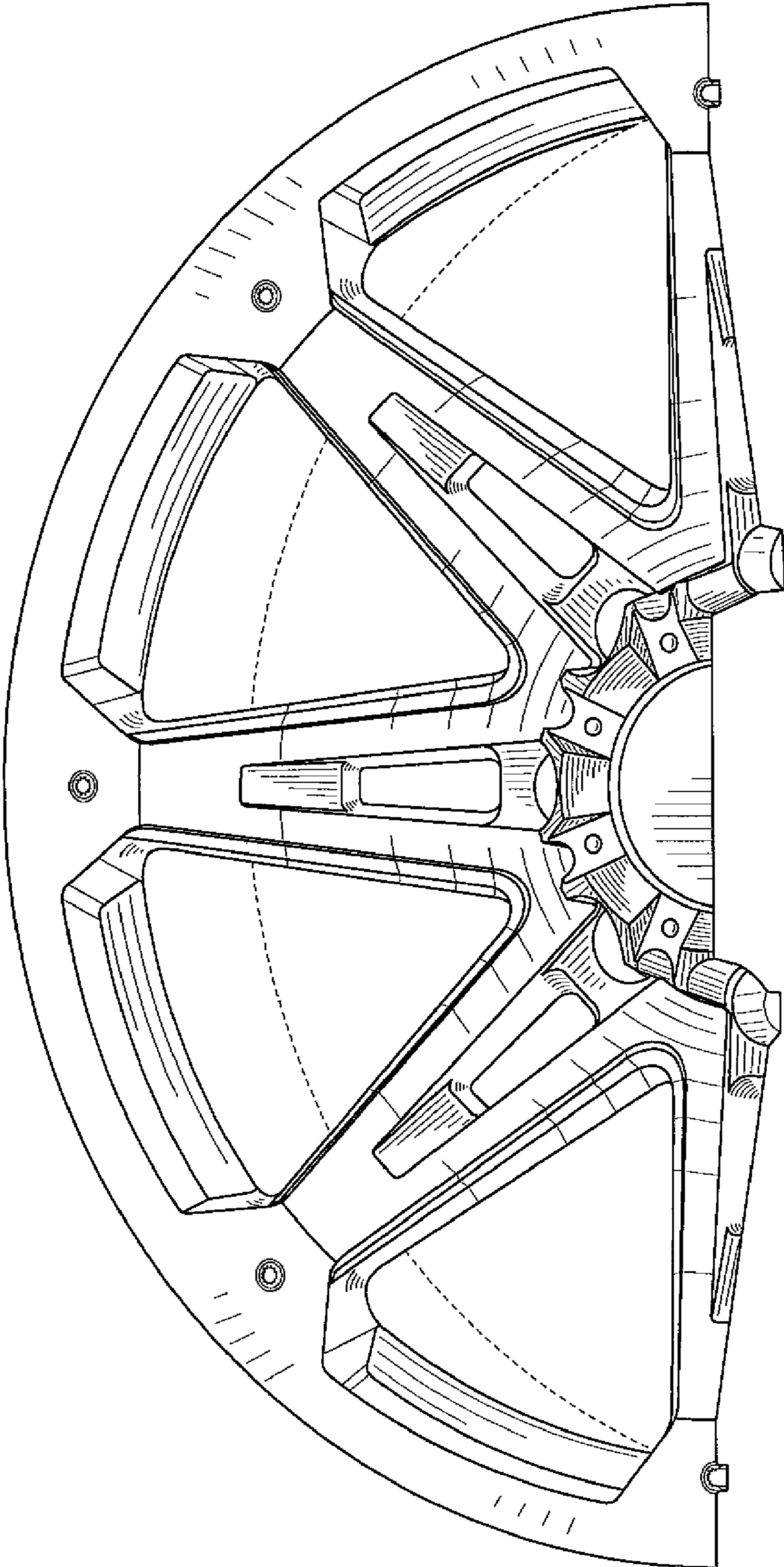


FIG. 3

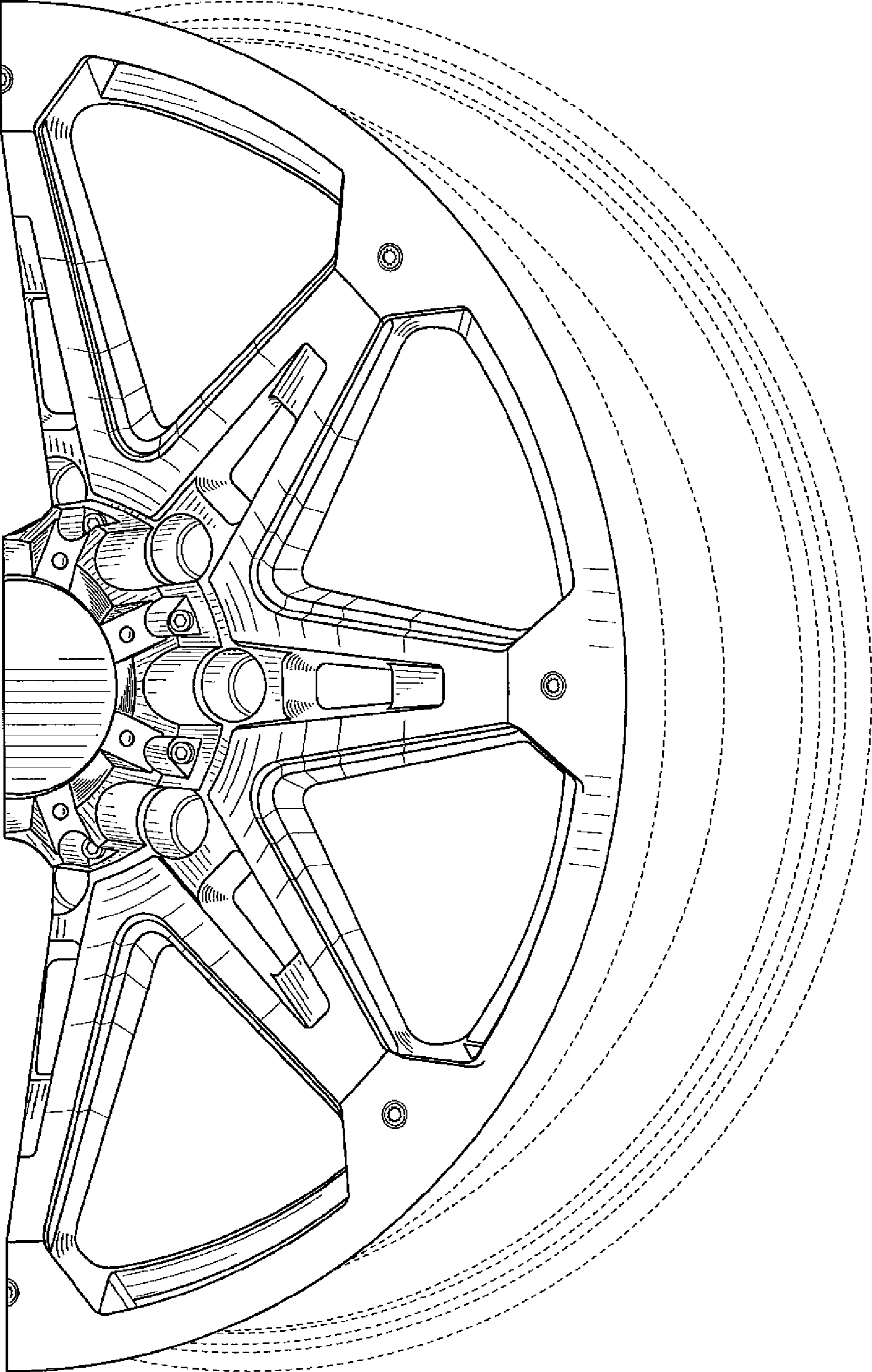


FIG. 4