



US00D625241S

(12) **United States Design Patent**  
**Zhao**

(10) **Patent No.:** **US D625,241 S**

(45) **Date of Patent:** **\*\* Oct. 12, 2010**

(54) **FRONT FACE OF A VEHICLE WHEEL**

D567,732 S \* 4/2008 Chung ..... D12/209  
D585,353 S \* 1/2009 Scheu ..... D12/211

(76) Inventor: **John Zhao**, 283 E. Garvey Ave.,  
Monterey Park, CA (US) 91755

\* cited by examiner

(\*\*) Term: **14 Years**

*Primary Examiner*—Stacia Cadmus

(21) Appl. No.: **29/355,110**

(74) *Attorney, Agent, or Firm*—Procopio, Cory, Hargreaves  
& Savitch LLP

(22) Filed: **Feb. 2, 2010**

(57) **CLAIM**

(51) **LOC (9) Cl.** ..... **12-16**

The ornamental design for a front face of a vehicle wheel, as shown and described.

(52) **U.S. Cl.** ..... **D12/211**

(58) **Field of Classification Search** ..... D12/204–213;  
301/37.101, 64.101, 65, 64.201

See application file for complete search history.

**DESCRIPTION**

(56) **References Cited**

FIG. 1 a perspective view of a front face of a vehicle wheel embodying my new design;

FIG. 2 is a front view thereof; and

FIG. 3 is a partial sectional perspective view on enlarged scale on line 3—3 of the front face as seen in FIG. 1. and,

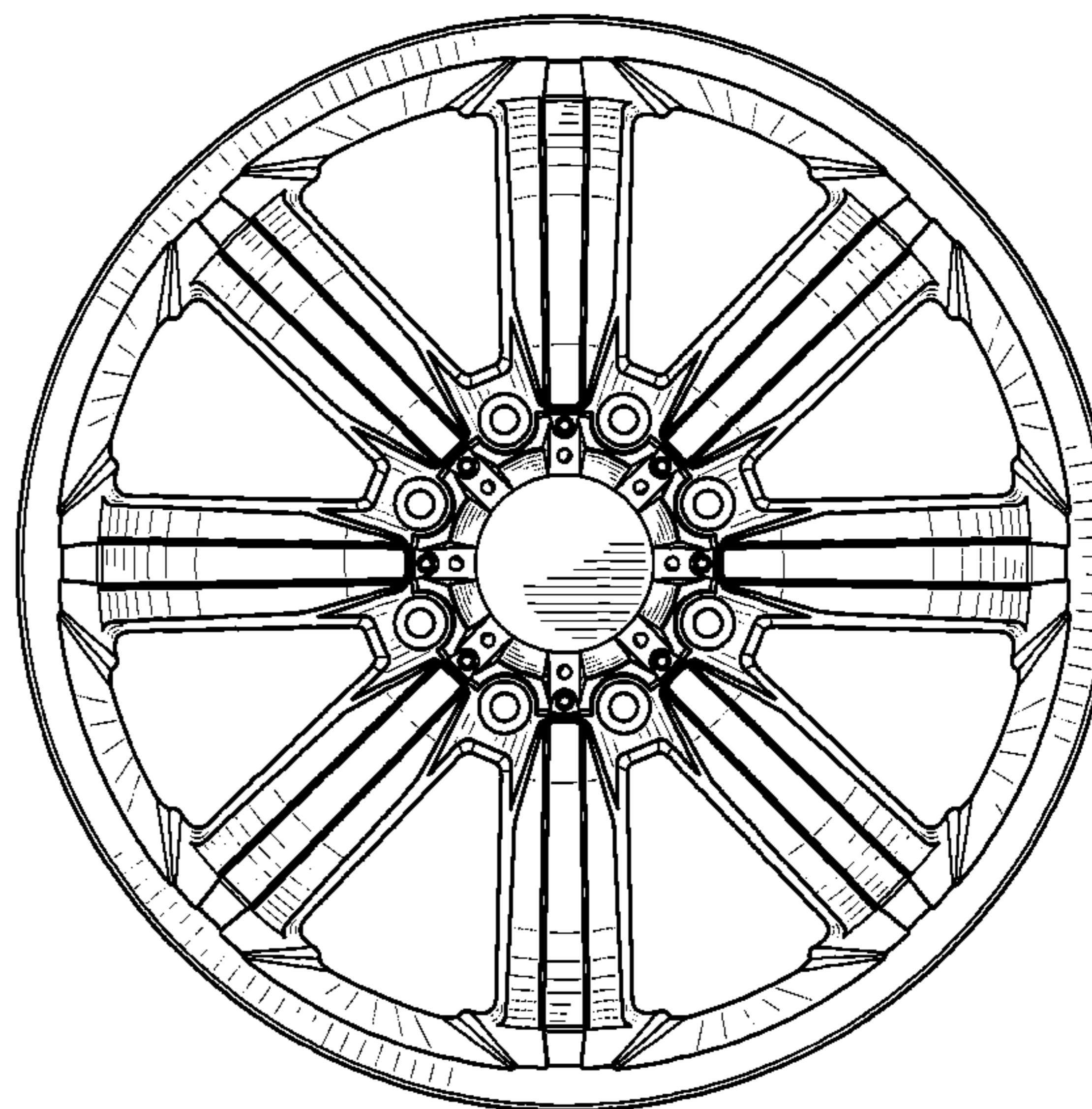
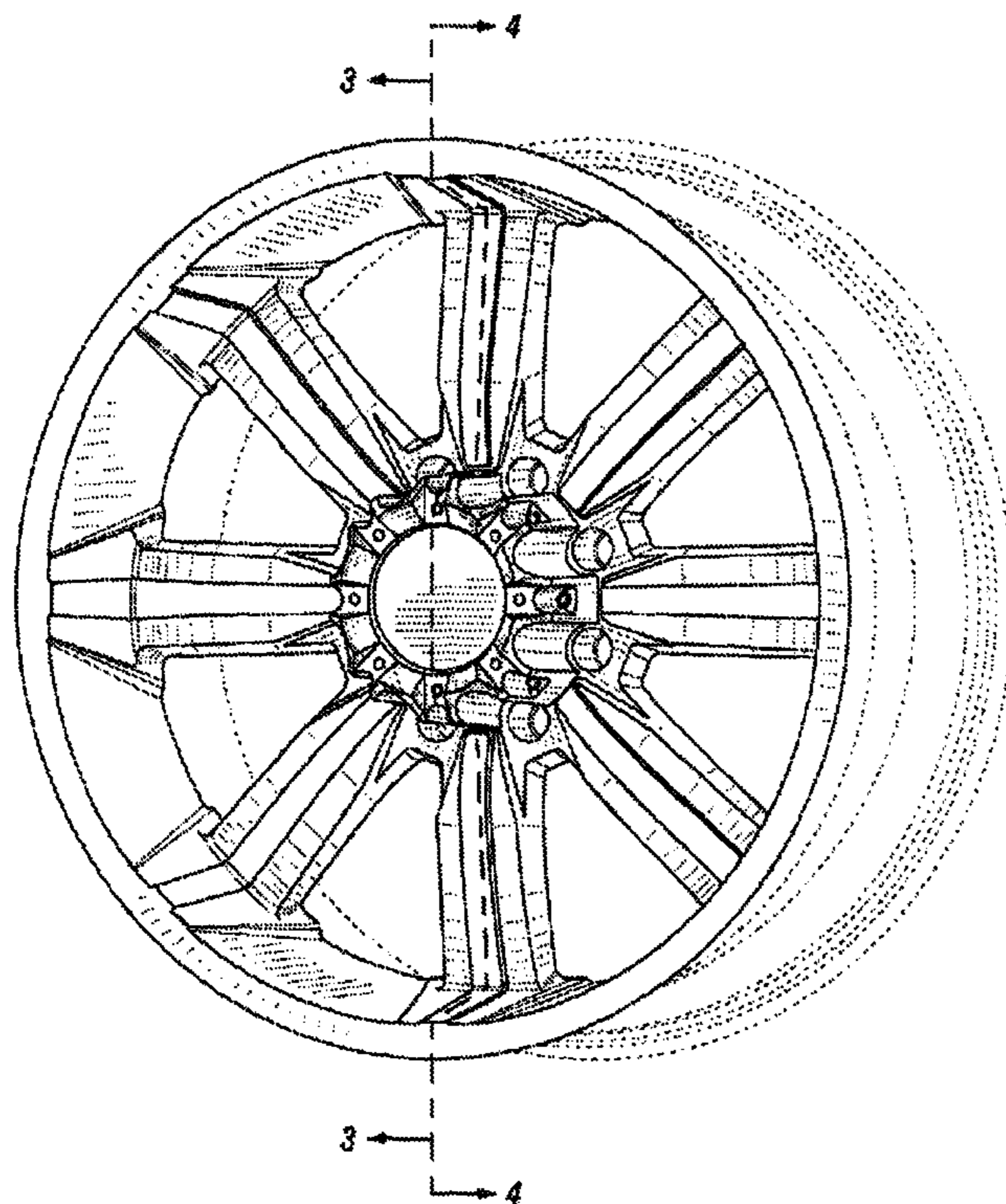
FIG. 4 is a partial sectional perspective view on the same enlarged scale on line 4—4 of the front face as seen in FIG. 1.

The broken lines are for illustrative purposes only and form no part of the claimed design.

**U.S. PATENT DOCUMENTS**

D456,332 S	*	4/2002	Vian	.....	D12/211
D500,003 S	*	12/2004	Guevara	.....	D12/211
D505,375 S	*	5/2005	Kushartanto	.....	D12/211
D514,052 S	*	1/2006	Walbey, Jr.	.....	D12/211
D531,566 S	*	11/2006	Kim	.....	D12/211
D548,167 S	*	8/2007	Groom	.....	D12/211
D553,063 S	*	10/2007	Pugh	.....	D12/209
D554,037 S	*	10/2007	Chung	.....	D12/211

**1 Claim, 4 Drawing Sheets**



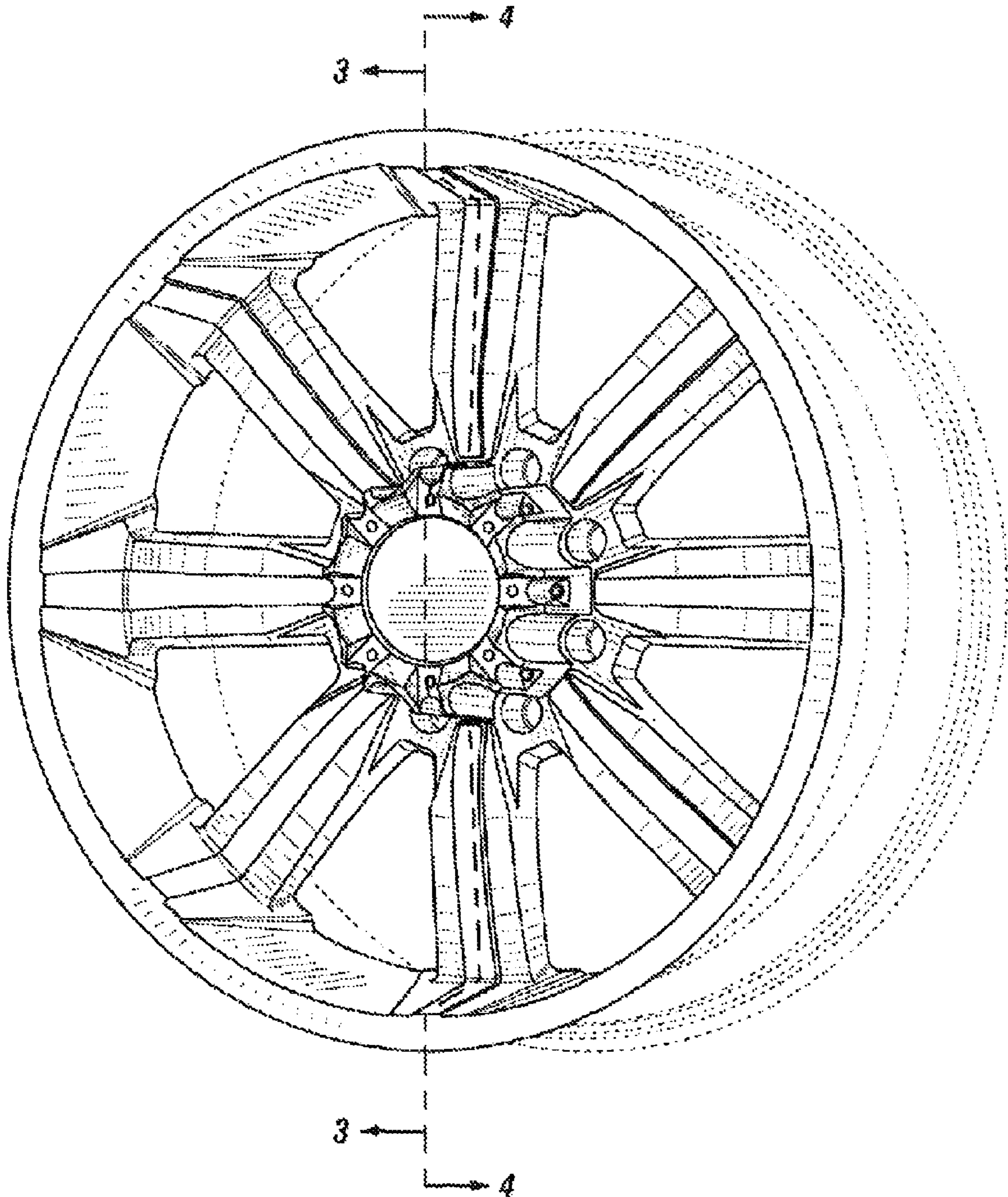
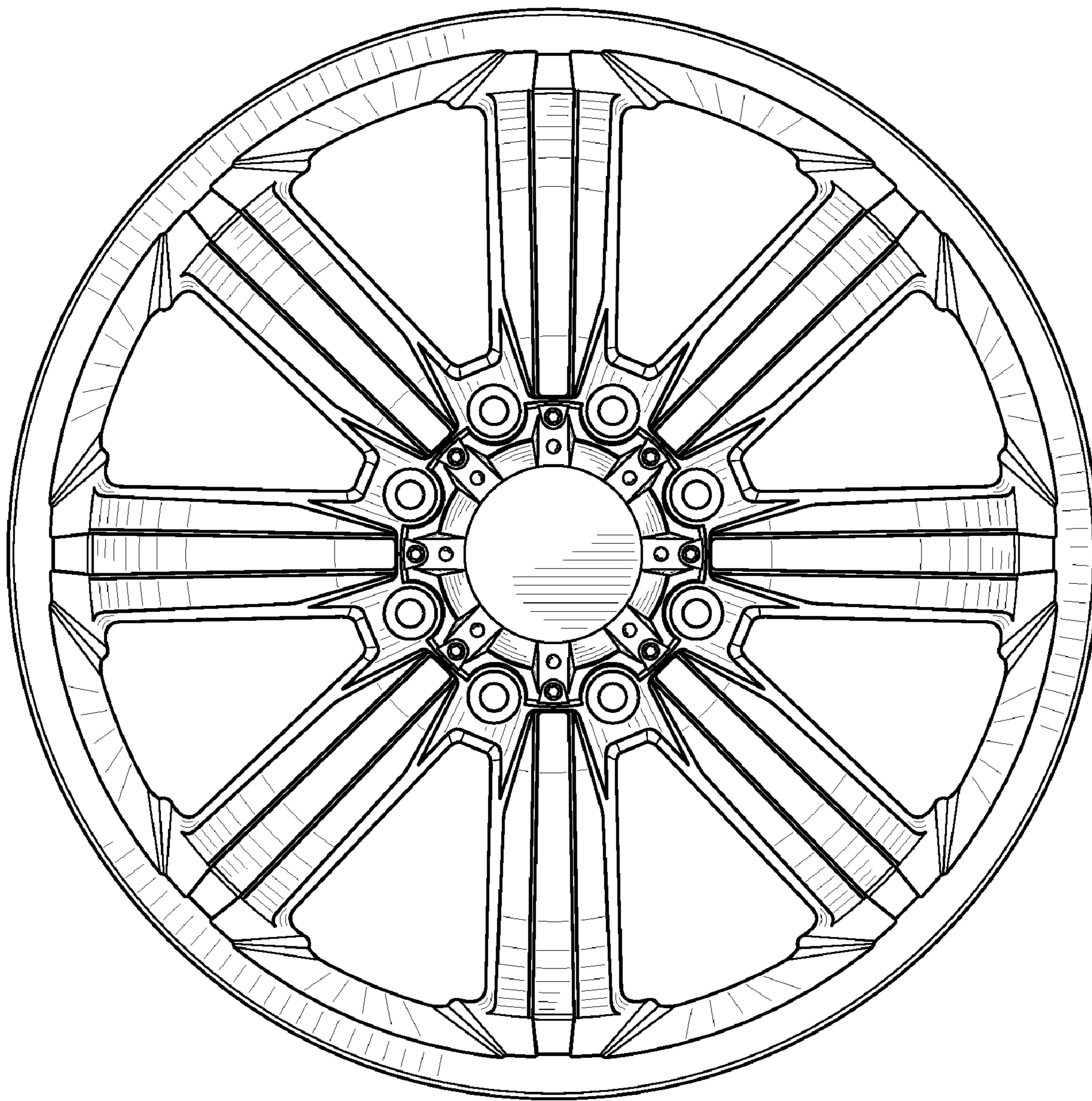


FIG. 1



**FIG. 2**

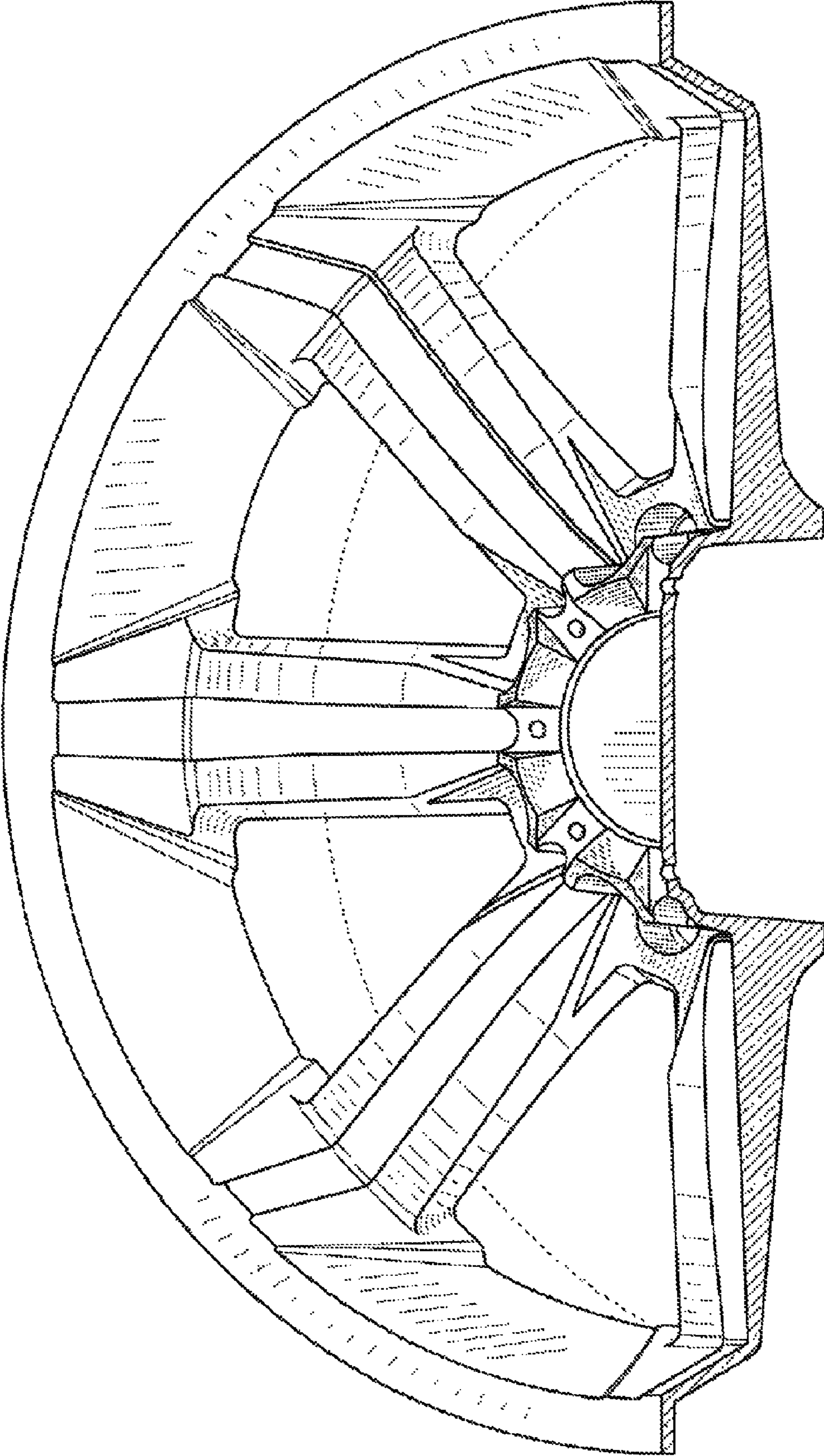


FIG. 3

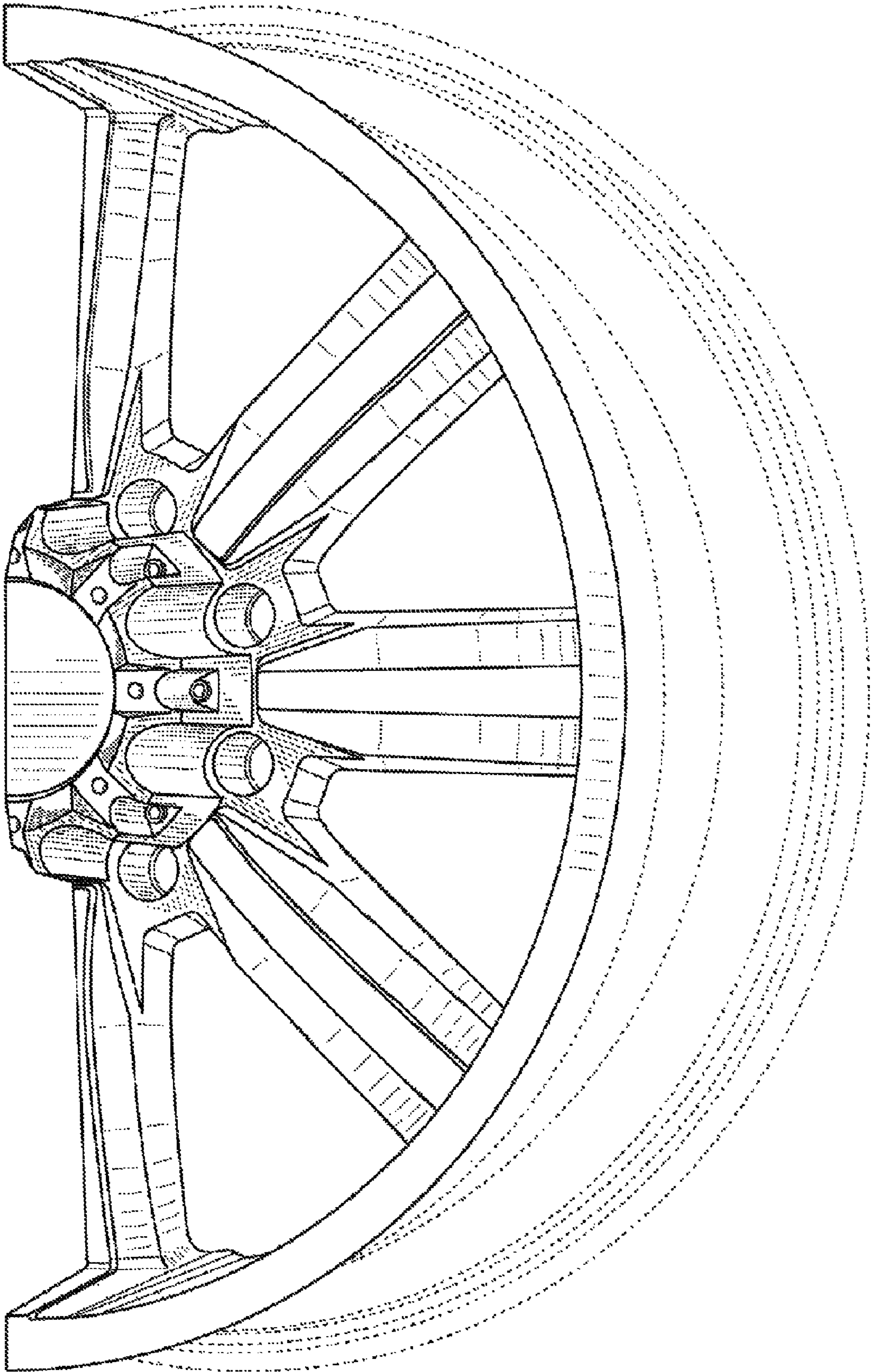


FIG.4