



US00D625239S

(12) **United States Design Patent**  
**Juergens et al.**

(10) **Patent No.:** **US D625,239 S**  
(45) **Date of Patent:** **\*\* Oct. 12, 2010**

(54) **WHEEL OR WHEEL COVER**  
(75) Inventors: **Dirk Juergens**, Munich (DE); **Rainer Mueller**, Munich (DE)  
(73) Assignee: **Bayerische Motoren Werke Aktiengesellschaft**, Munich (DE)

D580,334 S 11/2008 Blasi  
D583,741 S 12/2008 Huet  
D587,179 S \* 2/2009 Pfeiffer ..... D12/209  
D588,516 S \* 3/2009 Nagashima ..... D12/211  
D593,020 S \* 5/2009 Blasi ..... D12/211  
D597,918 S 8/2009 Juergens et al.

(\*\*) Term: **14 Years**

(21) Appl. No.: **29/347,011**

(22) Filed: **Aug. 24, 2009**

(30) **Foreign Application Priority Data**  
Feb. 25, 2009 (DE) ..... 402009001117

(51) **LOC (9) Cl.** ..... **12-16**  
(52) **U.S. Cl.** ..... **D12/211**  
(58) **Field of Classification Search** ..... D12/204-213;  
301/37.101, 64.101, 65, 64.201  
See application file for complete search history.

(56) **References Cited**  
U.S. PATENT DOCUMENTS

D385,524 S 10/1997 Nagashima  
D407,057 S 3/1999 Goplen  
D408,346 S \* 4/1999 Goplen ..... D12/211  
D424,500 S \* 5/2000 Johnson ..... D12/209  
D436,912 S 1/2001 Boyer  
D450,030 S \* 11/2001 Pfeiffer ..... D12/211  
D470,093 S 2/2003 Frizzi  
D471,852 S \* 3/2003 Pfeiffer et al. .... D12/211  
D479,177 S 9/2003 Nordmann  
D504,102 S \* 4/2005 Cheng ..... D12/211  
D507,221 S 7/2005 Stopka  
D507,775 S \* 7/2005 Pfeiffer ..... D12/211  
D515,494 S \* 2/2006 Laengerer ..... D12/211  
D516,490 S \* 3/2006 Baer ..... D12/211  
D527,328 S \* 8/2006 Pfeiffer ..... D12/211  
D541,204 S 4/2007 Huet  
D551,150 S 9/2007 Hueller  
D555,566 S 11/2007 Hlinovsky  
D560,152 S 1/2008 Nordmann  
D574,310 S 8/2008 Huet

FOREIGN PATENT DOCUMENTS

DE M9309920.7 5/1994  
DE M9500945.0 9/1995  
DE M9508316.2 6/1996  
DE M9607482.5 4/1997

(Continued)

OTHER PUBLICATIONS

Tire & Wheel with Specialty Parts, 2006, p. 33.

*Primary Examiner*—Stacia Cadmus  
(74) *Attorney, Agent, or Firm*—Crowell & Moring LLP

(57) **CLAIM**

The ornamental design for a wheel or wheel cover, as shown and described.

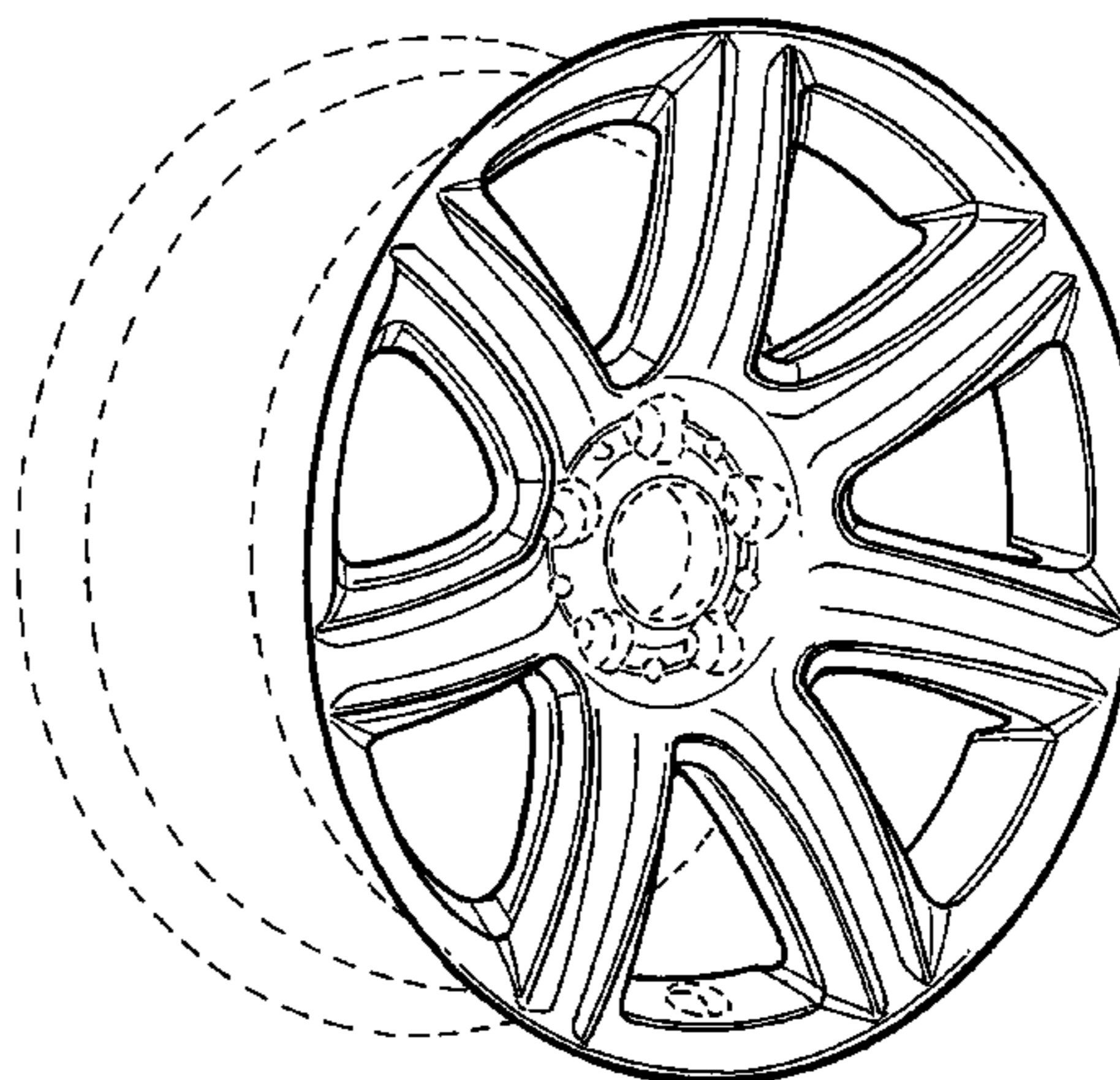
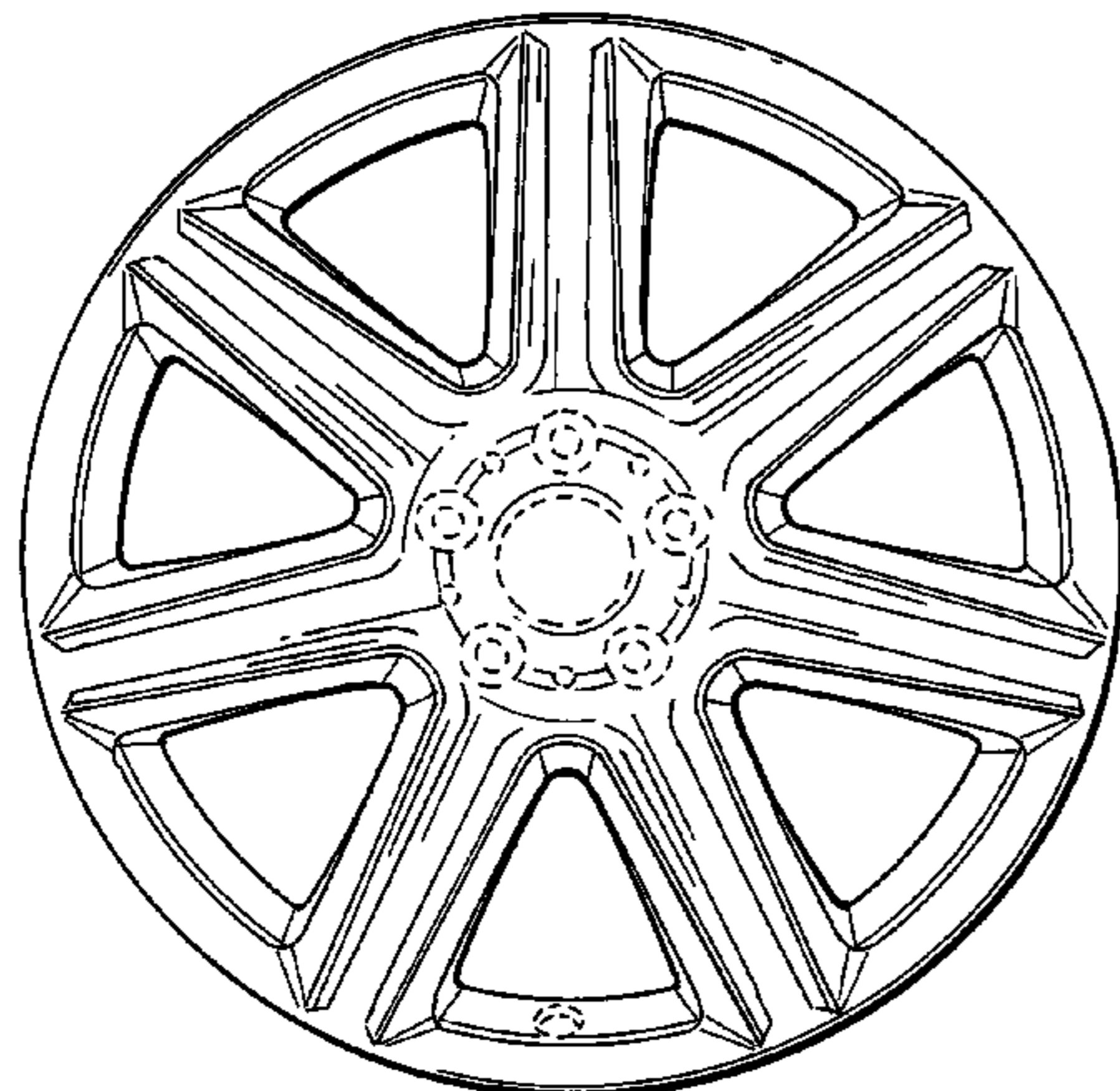
**DESCRIPTION**

FIG. 1 is a front view of a wheel or wheel cover according to our design; and,

FIG. 2 is a perspective view thereof.

The broken line showing of the rear of the rim and the bolt holes and center hole in the central hub area is included for the purpose of illustrating environment and forms no part of the claimed design.

**1 Claim, 1 Drawing Sheet**



# US D625,239 S

Page 2

---

FOREIGN PATENT DOCUMENTS					
			EM	000511639-0005	6/2006
			EM	000754593-0001	9/2007
			EM	000754593-0004	9/2007
			EM	000754593-0006	9/2007
			EM	000624812-0003	3/2008
			EM	000609458-0001	4/2008
			EM	000997572-0008	10/2008
			* cited by examiner		
DE	M9701285.8	6/1997			
DE	49811299.3	8/1999			
DE	40010998.0	3/2001			
DE	40104441.6	9/2001			
EM	000032438-0006	10/2003			
EM	000440813-0006	1/2006			

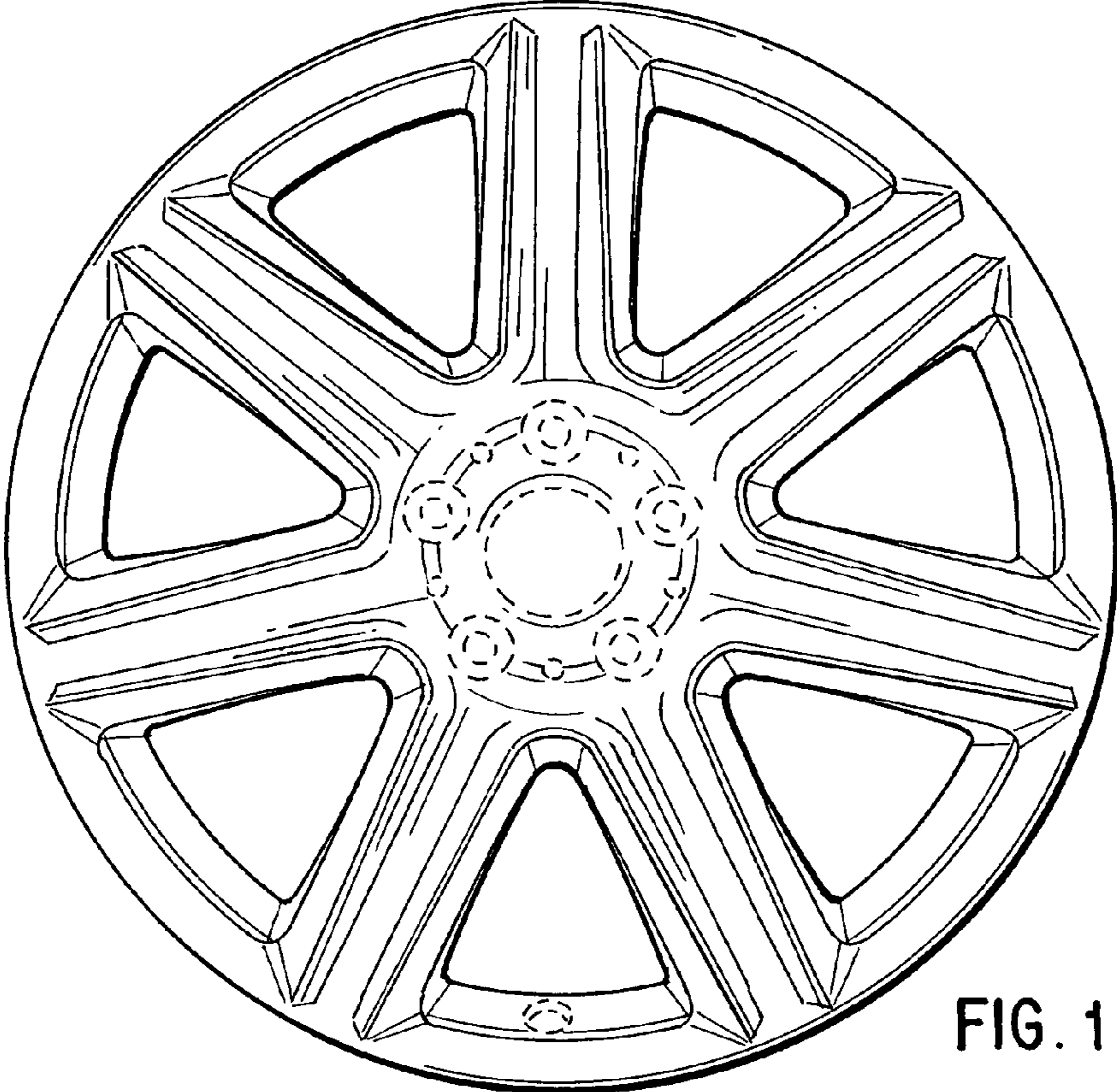


FIG. 1

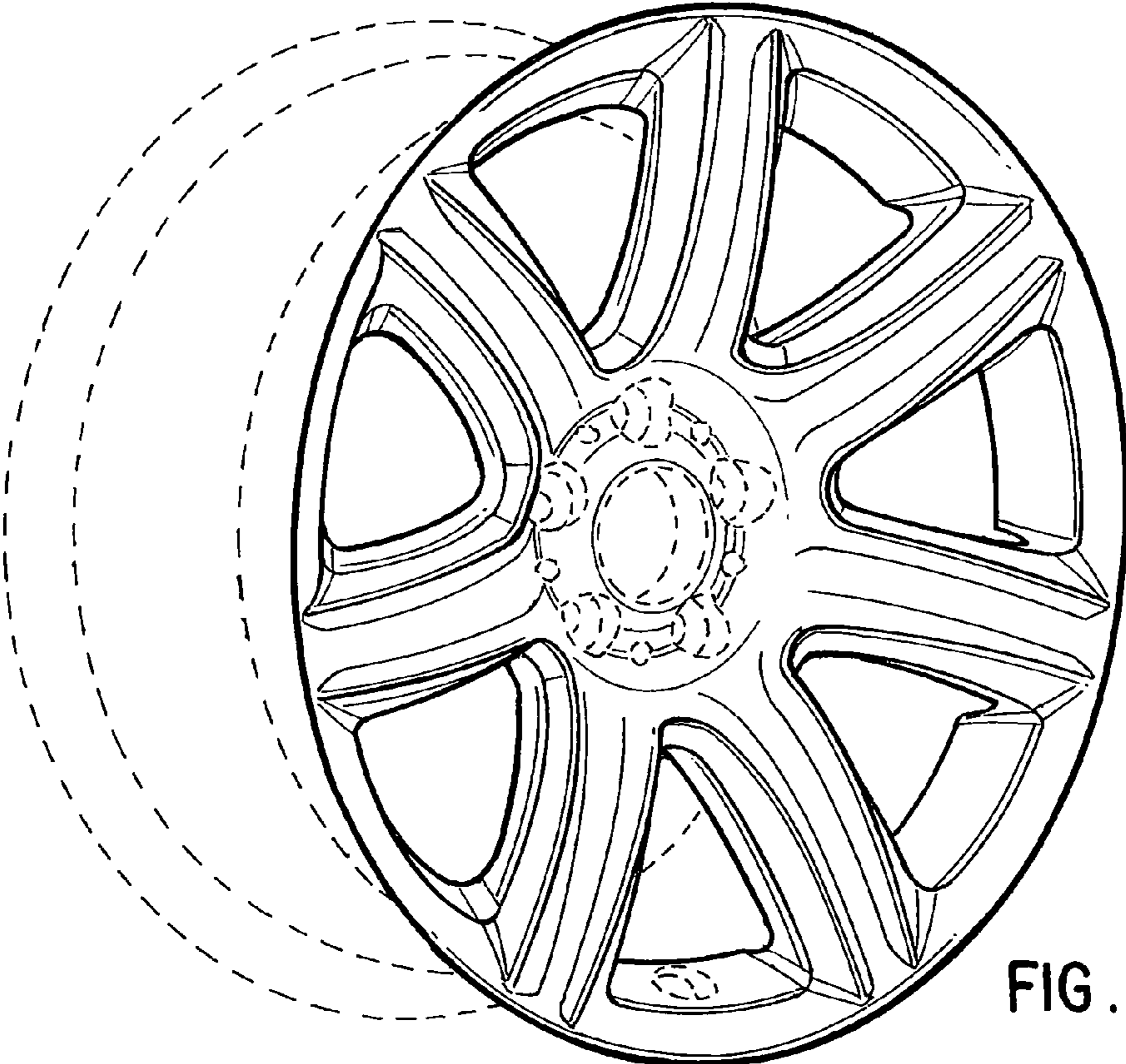


FIG. 2