



US00D625238S

(12) **United States Design Patent**
Zhao

(10) **Patent No.:** **US D625,238 S**

(45) **Date of Patent:** **** Oct. 12, 2010**

(54) **FRONT FACE OF A VEHICLE WHEEL**

(76) **Inventor:** **John Zhao**, 263 E. Garvey Ave.,
Monterey Park, CA (US) 91755

(**) **Term:** **14 Years**

(21) **Appl. No.:** **29/358,483**

(22) **Filed:** **Mar. 27, 2010**

(51) **LOC (9) Cl.** **12-16**

(52) **U.S. Cl.** **D12/209**

(58) **Field of Classification Search** D12/204–213;
301/37.101, 64.101, 65, 64.201

See application file for complete search history.

(56) **References Cited**

U.S. PATENT DOCUMENTS

D495,649 S	*	9/2004	Schell et al.	D12/209
D499,062 S	*	11/2004	Cheng	D12/209
D508,885 S	*	8/2005	Marji	D12/209
D519,901 S	*	5/2006	Panano	D12/209
D526,265 S	*	8/2006	Muzzarelli	D12/209
D529,430 S	*	10/2006	Hsu	D12/209
D535,008 S	*	1/2007	Wu	D12/209
D535,238 S	*	1/2007	Kim	D12/209
D541,261 S	*	4/2007	Ikeda et al.	D14/218
D543,493 S	*	5/2007	Kim	D12/209

D576,535 S	*	9/2008	Chung	D12/209
D579,845 S	*	11/2008	Chung	D12/209
D581,338 S	*	11/2008	Imai	D12/209
D590,315 S	*	4/2009	Chung	D12/209
D597,462 S	*	8/2009	Chung	D12/209

* cited by examiner

Primary Examiner—Stacia Cadmus

(74) *Attorney, Agent, or Firm*—Procopio, Cory, Hargreaves & Savitch LLP

(57) **CLAIM**

The ornamental design for a front face of a vehicle wheel, as shown and described.

DESCRIPTION

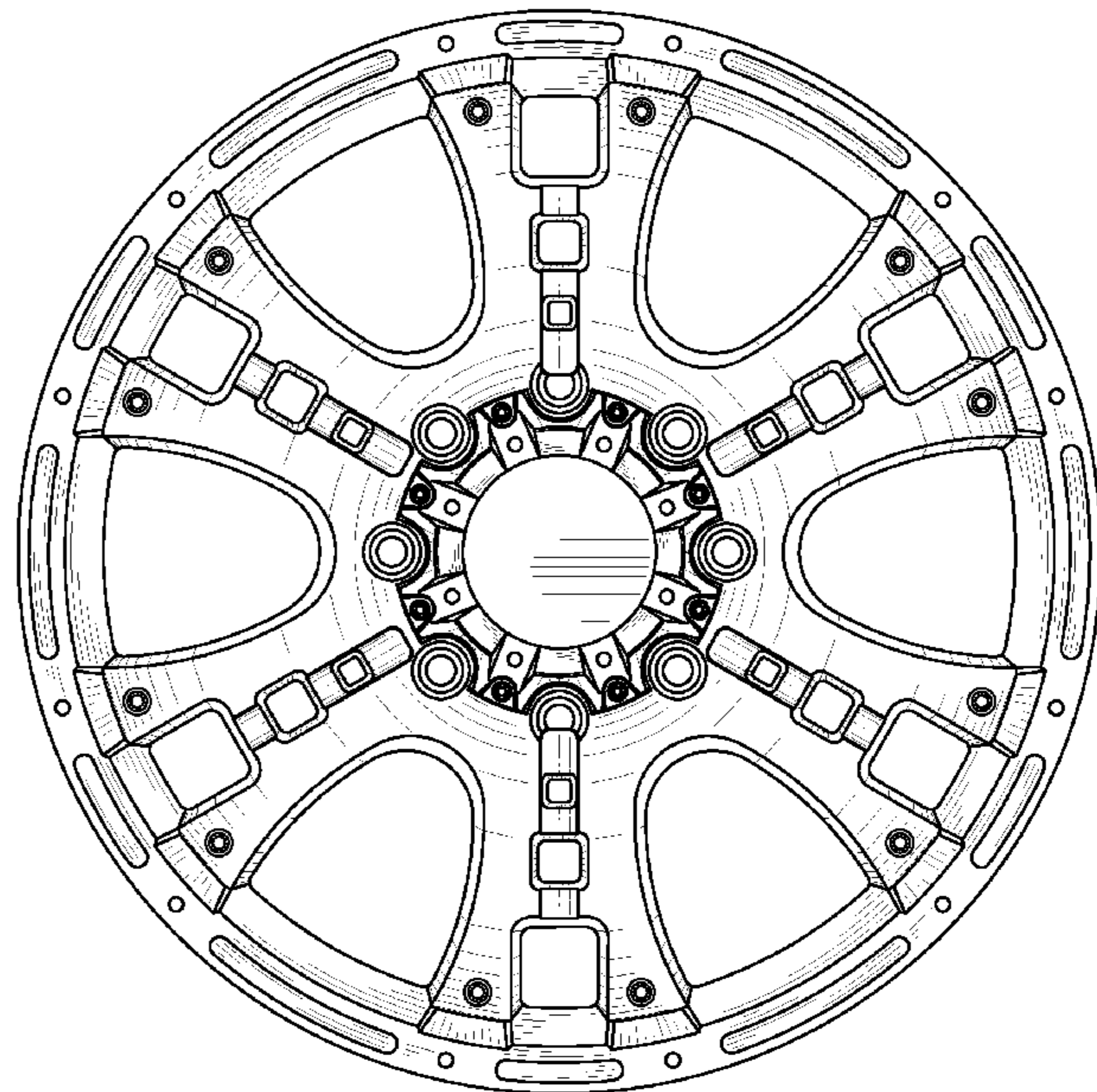
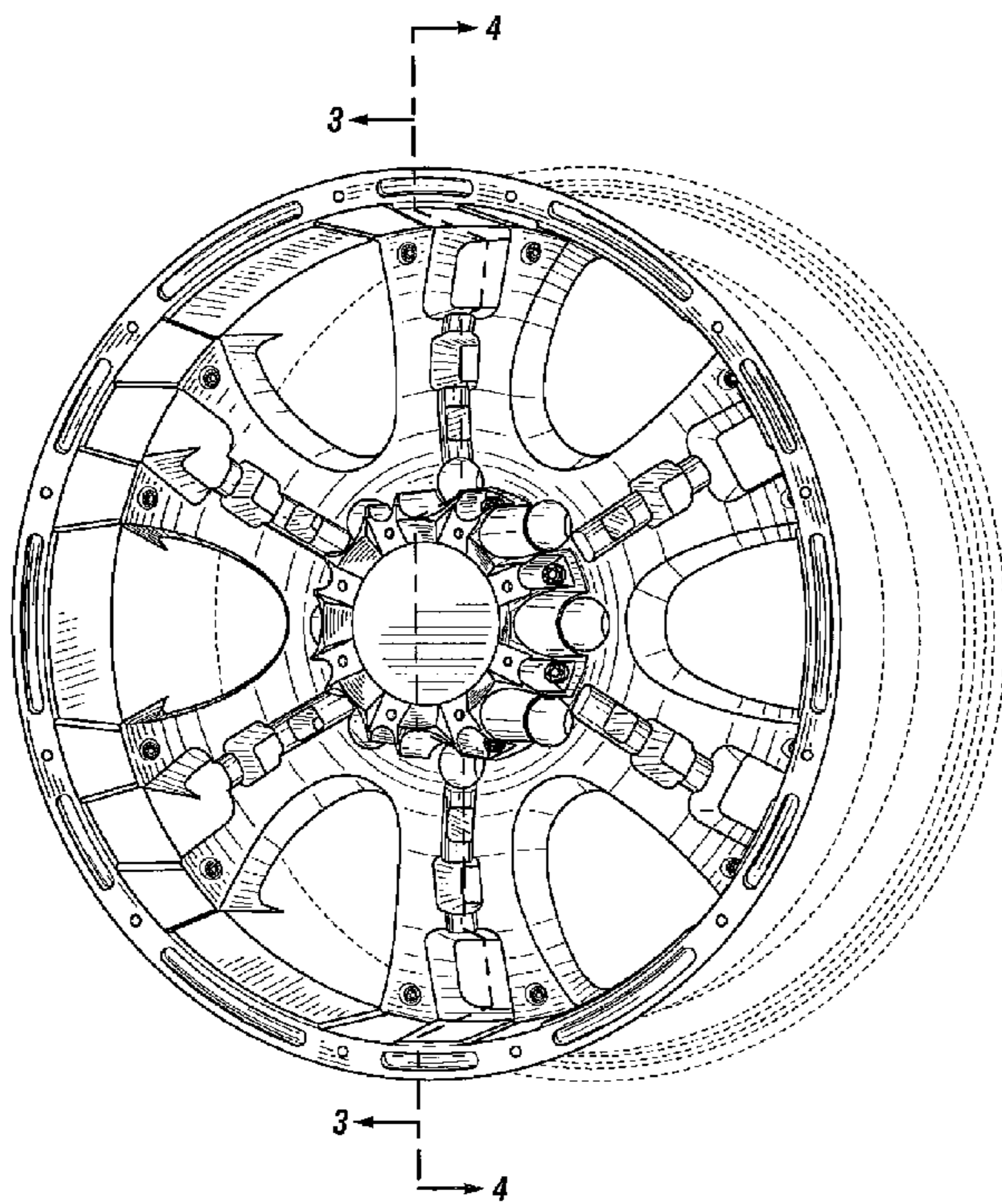
FIG. 1 is a perspective view of a front face of a vehicle wheel embodying my new design;

FIG. 2 is a front view thereof; and,

FIG. 3 is a partial perspective view on an enlarged scale of the front face only along line 3—3 as seen in FIG. 1, and FIG. 4 is a partial perspective view on the same enlarged scale on line 4—4 of the front face only as seen in FIG. 1.

The broken lines are for illustrative purposes only and form no part of the claimed design.

1 Claim, 4 Drawing Sheets



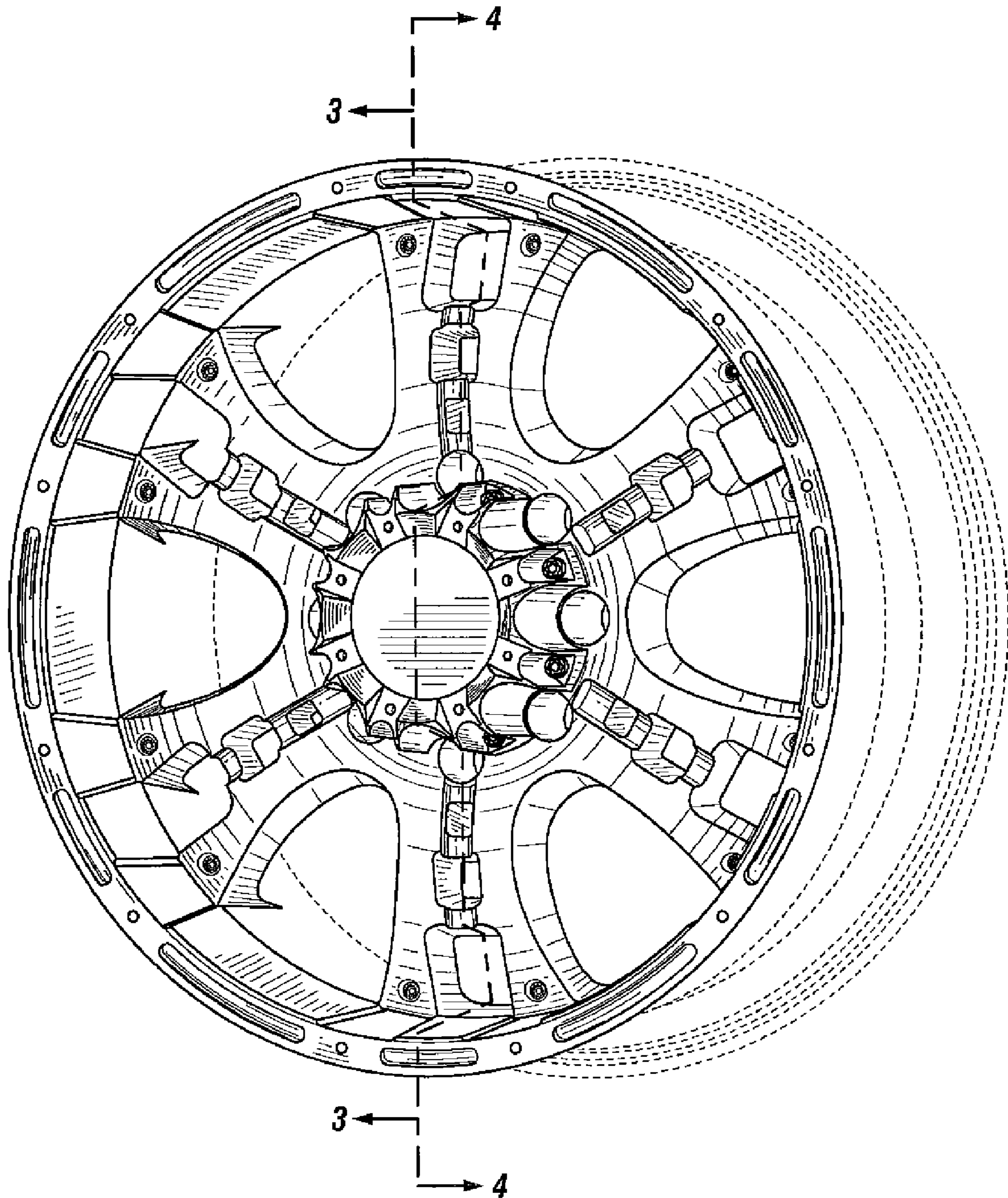


FIG. 1

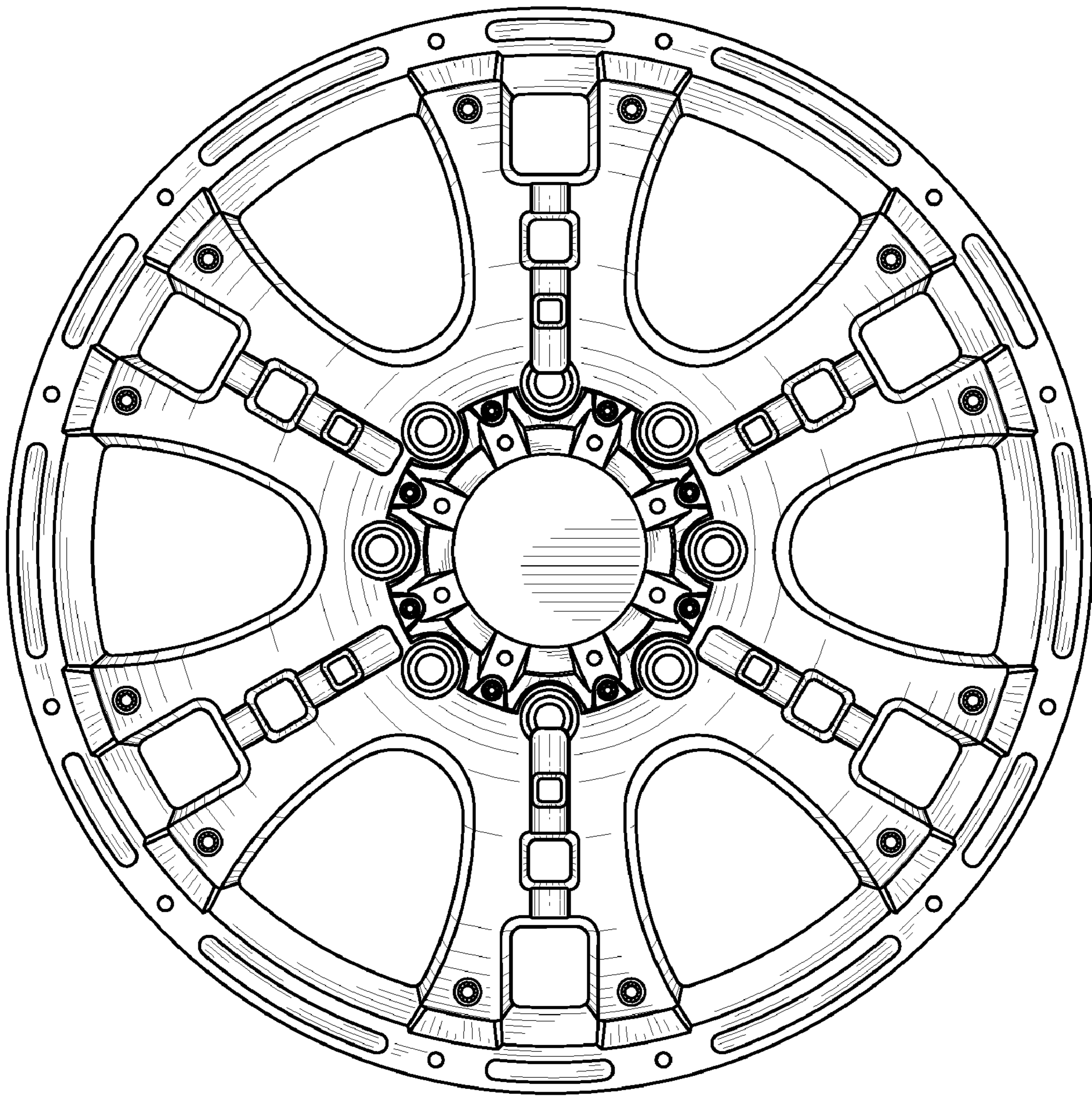


FIG. 2

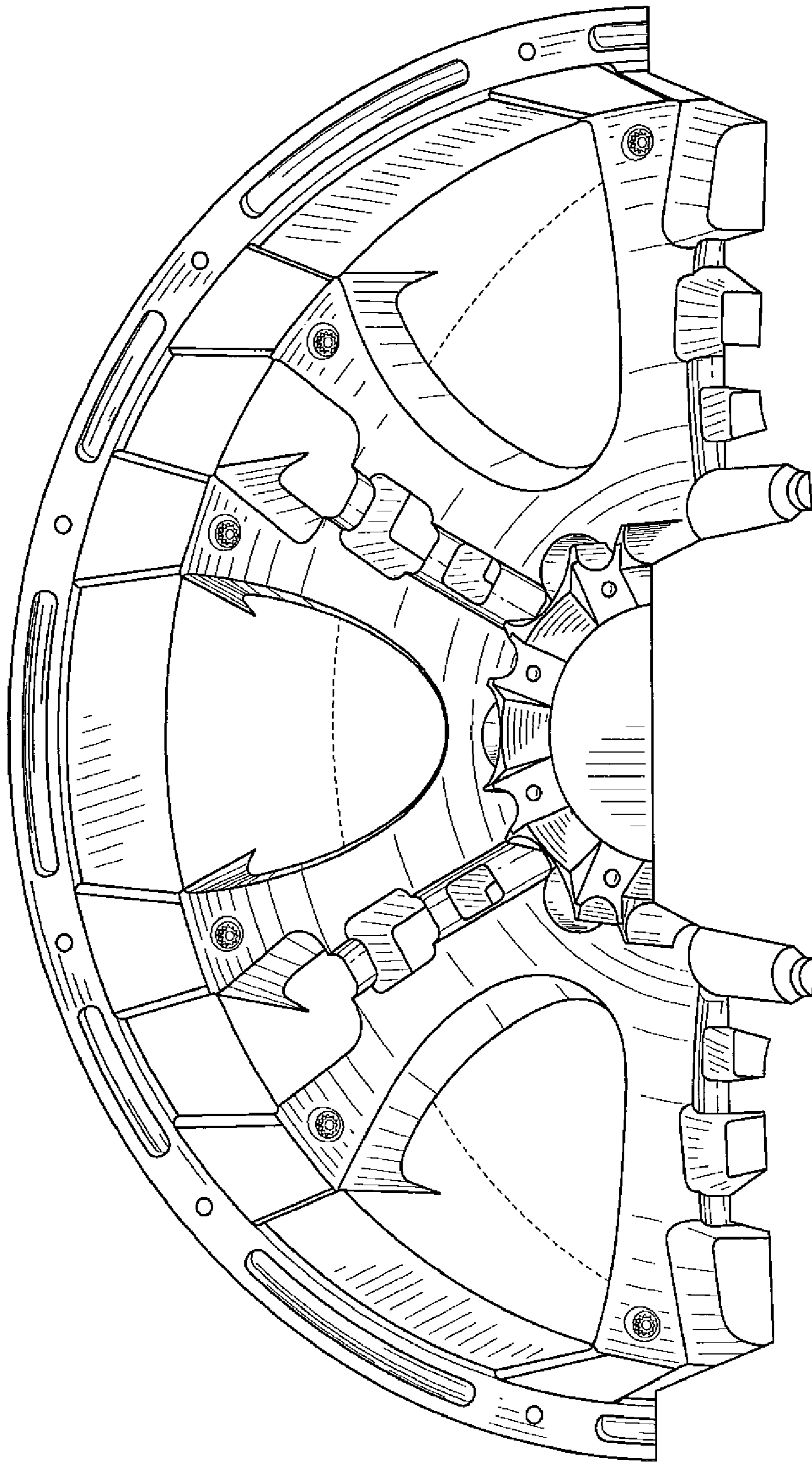


FIG. 3

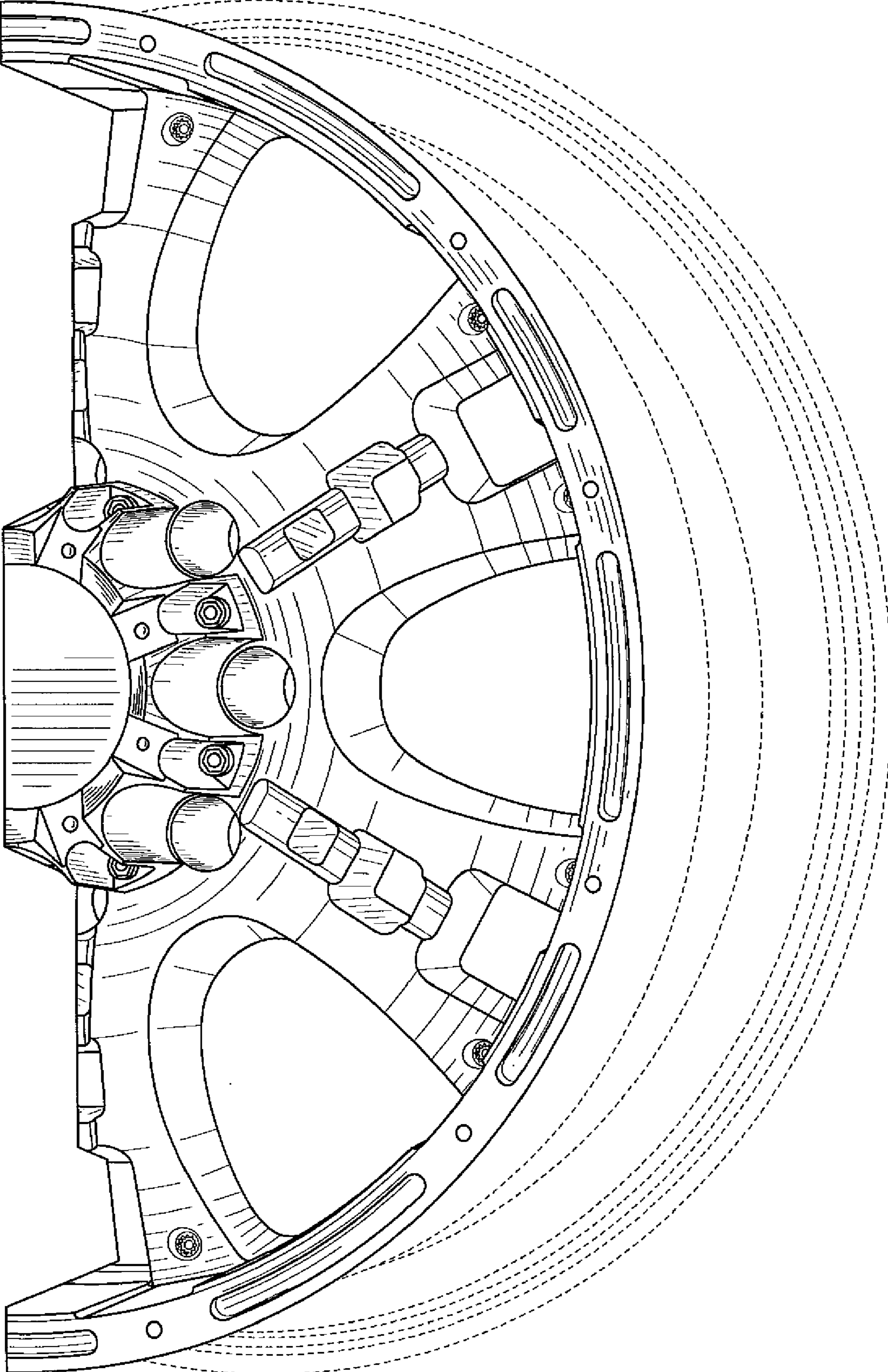


FIG. 4