

US00D625237S

(12) **United States Design Patent**
Holstein et al.

(10) **Patent No.:** **US D625,237 S**

(45) **Date of Patent:** **** Oct. 12, 2010**

(54) **WHEEL OR WHEEL COVER**

(75) Inventors: **Henning Holstein**, Dietersburg (DE);
Michael Szavits, Munich (DE)

(73) Assignee: **Bayerische Motoren Werke**
Aktiengesellschaft, Munich (DE)

(**) Term: **14 Years**

(21) Appl. No.: **29/357,597**

(22) Filed: **Mar. 15, 2010**

(30) **Foreign Application Priority Data**

Sep. 16, 2009 (DE) 402009004624

(51) **LOC (9) Cl.** **12-16**

(52) **U.S. Cl.** **D12/209**

(58) **Field of Classification Search** D12/204-213;
301/37.101, 64.101, 65, 64.201

See application file for complete search history.

(56) **References Cited**

U.S. PATENT DOCUMENTS

D420,637 S	*	2/2000	Glade	D12/209
D423,441 S	*	4/2000	Bildhaeuser	D12/209
D427,555 S	*	7/2000	Hall	D12/209
D432,970 S	*	10/2000	Pfeiffer et al.	D12/209
D433,659 S		11/2000	Frizzi		
D437,821 S	*	2/2001	Frohlich	D12/211
D453,131 S	*	1/2002	Gabath	D12/209
D480,674 S	*	10/2003	Lecher et al.	D12/209
D500,004 S		12/2004	Szavits		
D503,918 S	*	4/2005	Fahr-Becker	D12/211
D531,565 S	*	11/2006	Pfeiffer	D12/211
D532,737 S		11/2006	Clottu		
D563,305 S		3/2008	Schweizer		
D575,718 S	*	8/2008	Pfeiffer	D12/211
D579,399 S	*	10/2008	Schweizer	D12/211
D582,331 S	*	12/2008	Blasi	D12/209

D587,180 S	*	2/2009	Pfeiffer	D12/209
D590,314 S		4/2009	Hettler		
D593,919 S	*	6/2009	Pfeiffer	D12/209
D594,396 S	*	6/2009	Juergens et al.	D12/209
D595,203 S	*	6/2009	Rak	D12/211
D598,836 S		8/2009	Blasi		
D601,075 S		9/2009	Szavits		
D615,018 S	*	5/2010	Truebsbach	D12/211

FOREIGN PATENT DOCUMENTS

DE	M9309920.7	5/1994
DE	49902566.0	10/1999
EM	000141791-0006	6/2004
EM	000521117-0003	7/2006
EM	000689344-0001	1/2008
EM	000863055-0001	3/2008
EM	001104913-0002	4/2009
EM	001036552-0003	11/2009

* cited by examiner

Primary Examiner—Stacia Cadmus

(74) *Attorney, Agent, or Firm*—Crowell & Moring LLP

(57) **CLAIM**

The ornamental design for a wheel or wheel cover, as shown and described.

DESCRIPTION

FIG. 1 is a front view of a first embodiment of a wheel or wheel cover according to our design; and

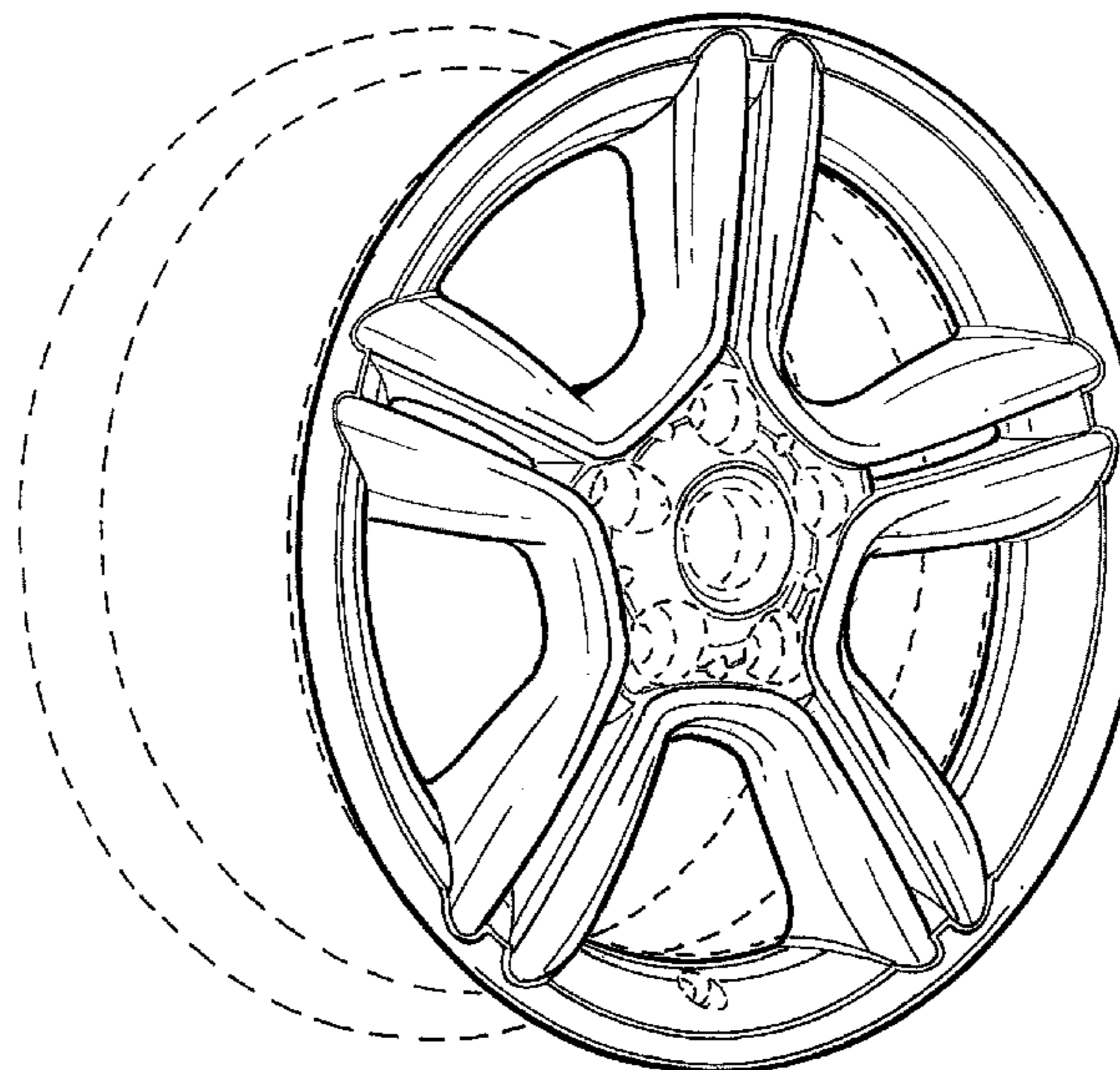
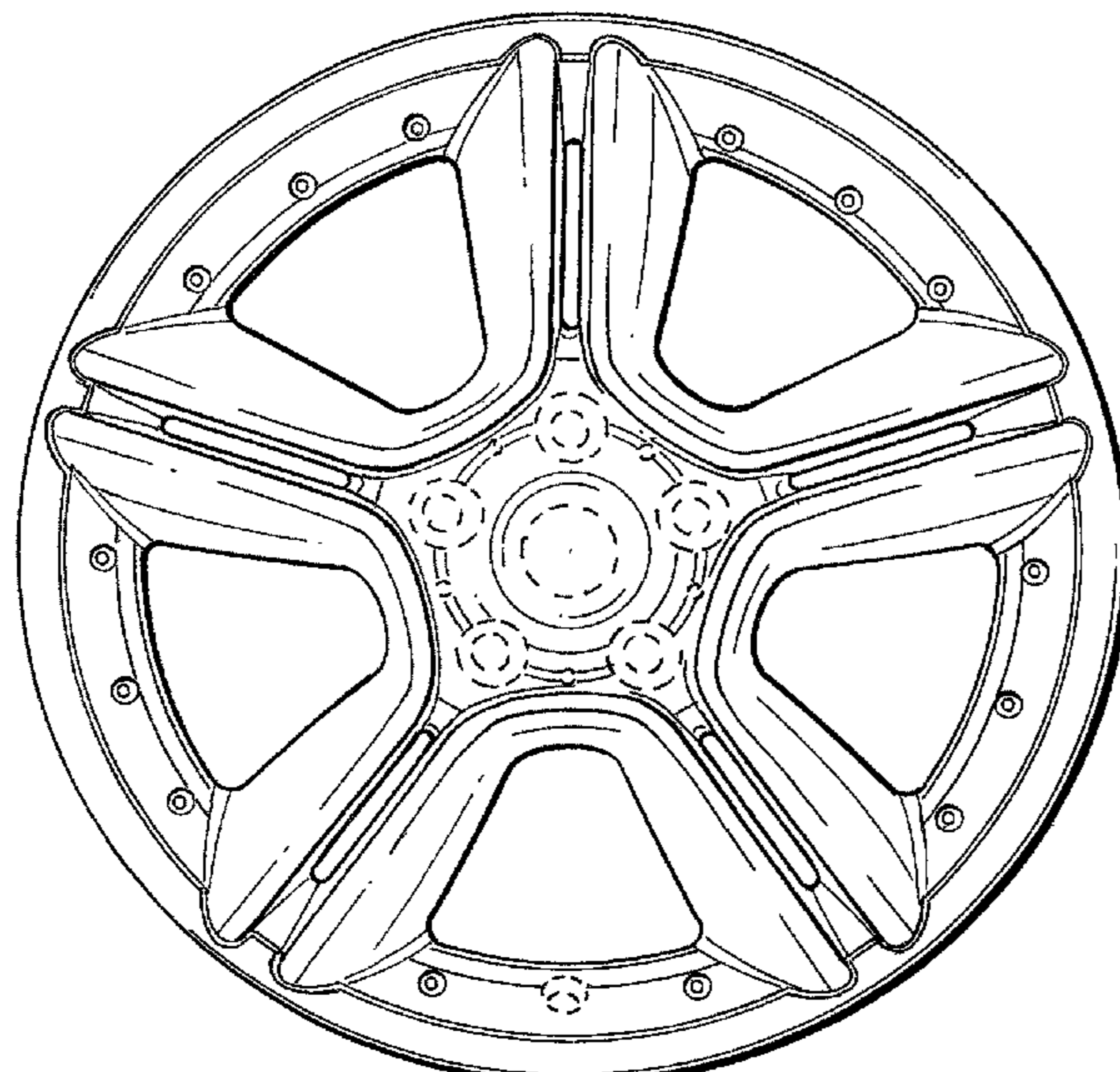
FIG. 2 is a perspective view thereof.

FIG. 3 is a front view of a second embodiment of the wheel or wheel cover according to our design; and,

FIG. 4 is a perspective view thereof.

The broken line showing of the rear of the rim and the bolt holes and center hole in the central hub area is included for the purpose of illustrating environment and forms no part of the claimed design.

1 Claim, 2 Drawing Sheets



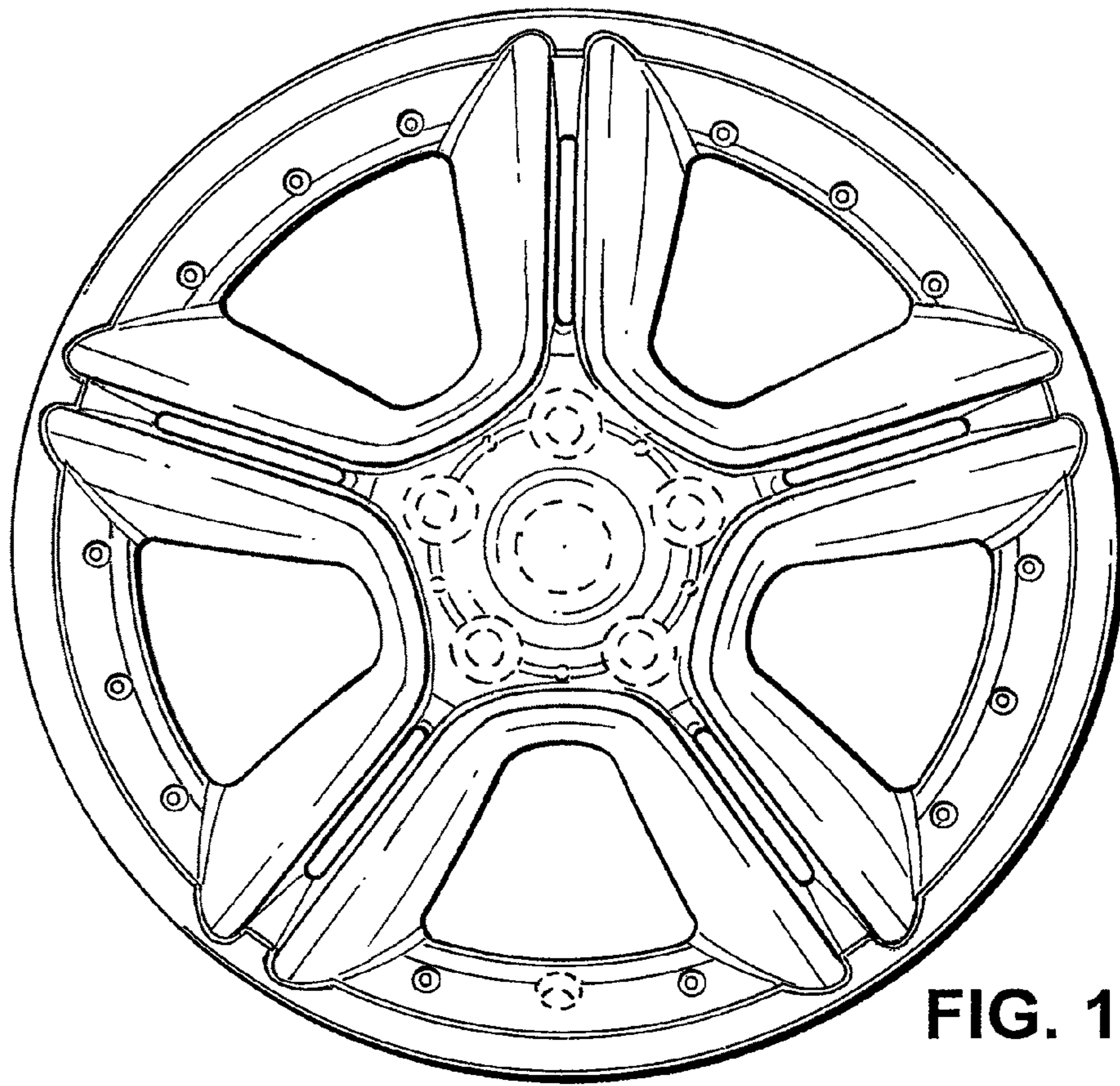


FIG. 1

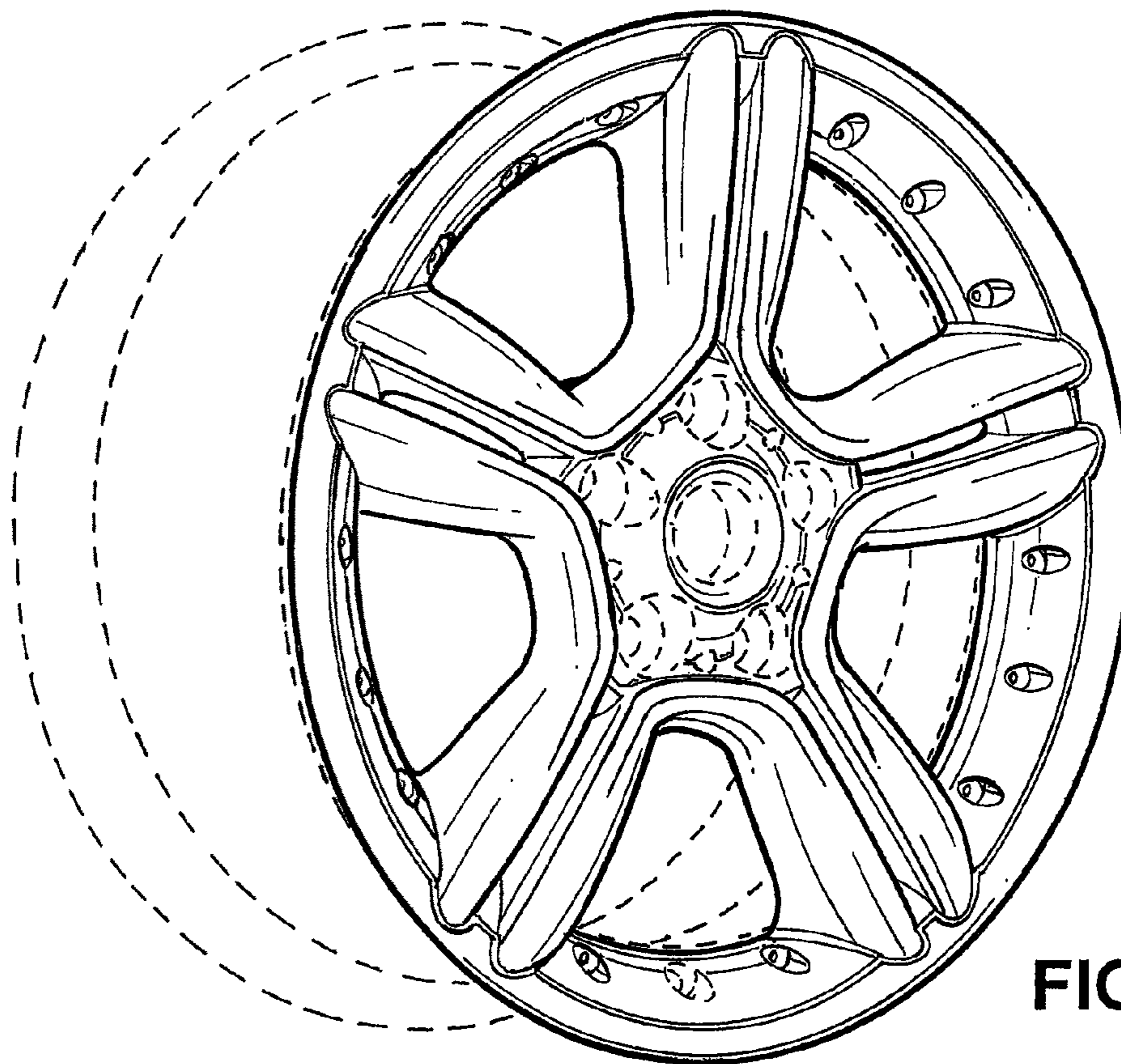


FIG. 2

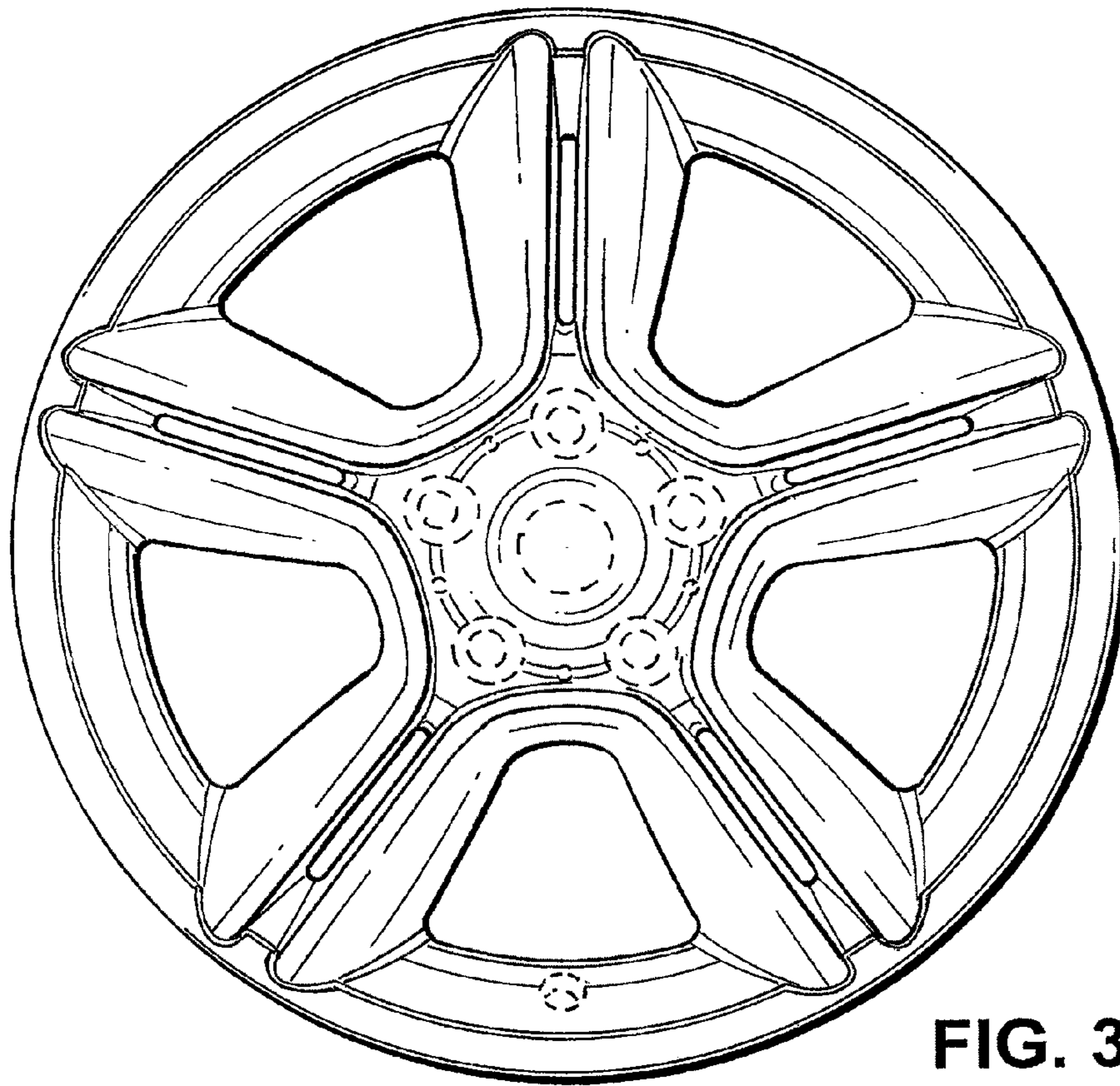


FIG. 3

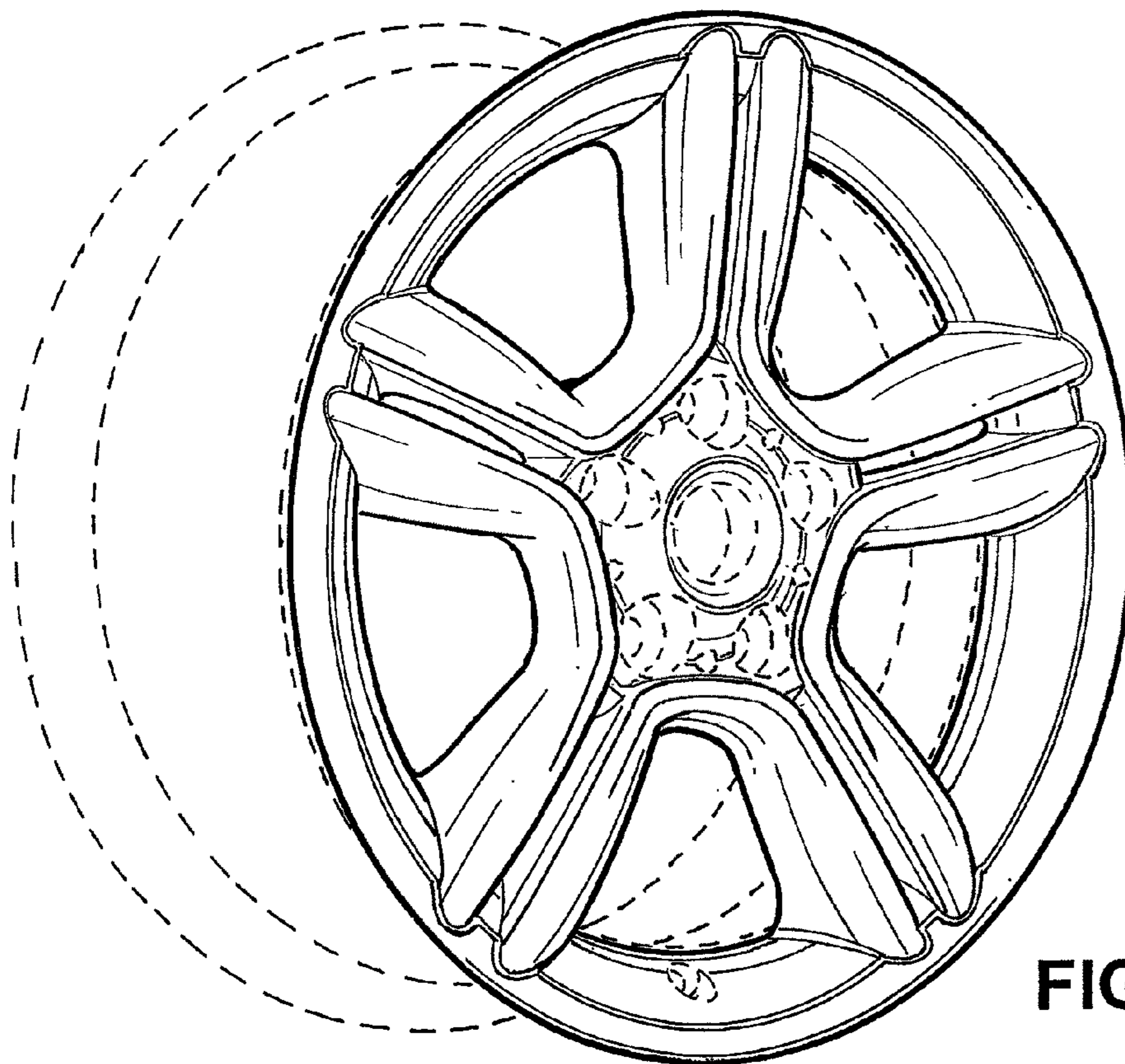


FIG. 4