



US00D625233S

(12) **United States Design Patent**
Mizuhata et al.

(10) **Patent No.:** **US D625,233 S**
(45) **Date of Patent:** **** Oct. 12, 2010**

(54) **INSTRUMENT PANEL FOR AN AUTOMOBILE**
(75) Inventors: **Yasuhiko Mizuhata**, Toyota (JP);
Mayumi Hirokawa, Toyota (JP);
Wataru Mamizuka, Kariya (JP);
Edward Yoon Lee, Newport Beach, CA (US)

(73) Assignee: **Toyota Jidosha Kabushiki Kaisha**, Toyota-shi (JP)

(**) Term: **14 Years**

(21) Appl. No.: **29/356,157**

(22) Filed: **Feb. 19, 2010**

(51) **LOC (9) Cl.** **12-16**

(52) **U.S. Cl.** **D12/192**

(58) **Field of Classification Search** D12/192, D12/415; 180/190; 280/750-752; 296/190.01-190.09, 296/70; D15/17, 28; D10/46, 98, 102-103
See application file for complete search history.

(56) **References Cited**

U.S. PATENT DOCUMENTS

D419,936 S *	2/2000	Sacco et al.	D12/192
D470,809 S *	2/2003	Asahi et al.	D12/192
D499,998 S *	12/2004	Tanaka et al.	D12/192
D512,357 S *	12/2005	Schuttera	D12/192
D519,893 S *	5/2006	Kabayama et al.	D12/192
D530,249 S *	10/2006	Norman et al.	D12/192
D532,353 S *	11/2006	Honda et al.	D12/192
D558,110 S *	12/2007	Ozeki et al.	D12/192
D558,656 S *	1/2008	Tanaka et al.	D12/192

D560,150 S *	1/2008	Honma et al.	D12/192
D567,161 S *	4/2008	Motozaki et al.	D12/192
D570,756 S	6/2008	Nakajima et al.	
D593,470 S *	6/2009	Duan et al.	D12/192
D598,353 S *	8/2009	Dai et al.	D12/192
D604,217 S *	11/2009	Kabayama	D12/192
D616,346 S *	5/2010	Jimenez	D12/192

OTHER PUBLICATIONS

Website: Netcarshow.com/renault/2009-megane/800x600/wallpaper_12.htm; Mfg.: Renault; model: Renault Megane; disclosure date 2009.

Website: netcarshow.com/audi/2009-sportback_concept/800x600/wallpaper_20.htm; Mfg.: Audi; model: Audi Sportback Concept; disclosure date: 2009.

* cited by examiner

Primary Examiner—Stacia Cadmus

(74) *Attorney, Agent, or Firm*—Finnegan, Henderson, Farabow, Garrett & Dunner, LLP

(57) **CLAIM**

The ornamental design for an instrument panel for an automobile, as shown and described.

DESCRIPTION

FIG. 1 is a front perspective view of an instrument panel for an automobile of my new design;

FIG. 2 is a top plan view thereof;

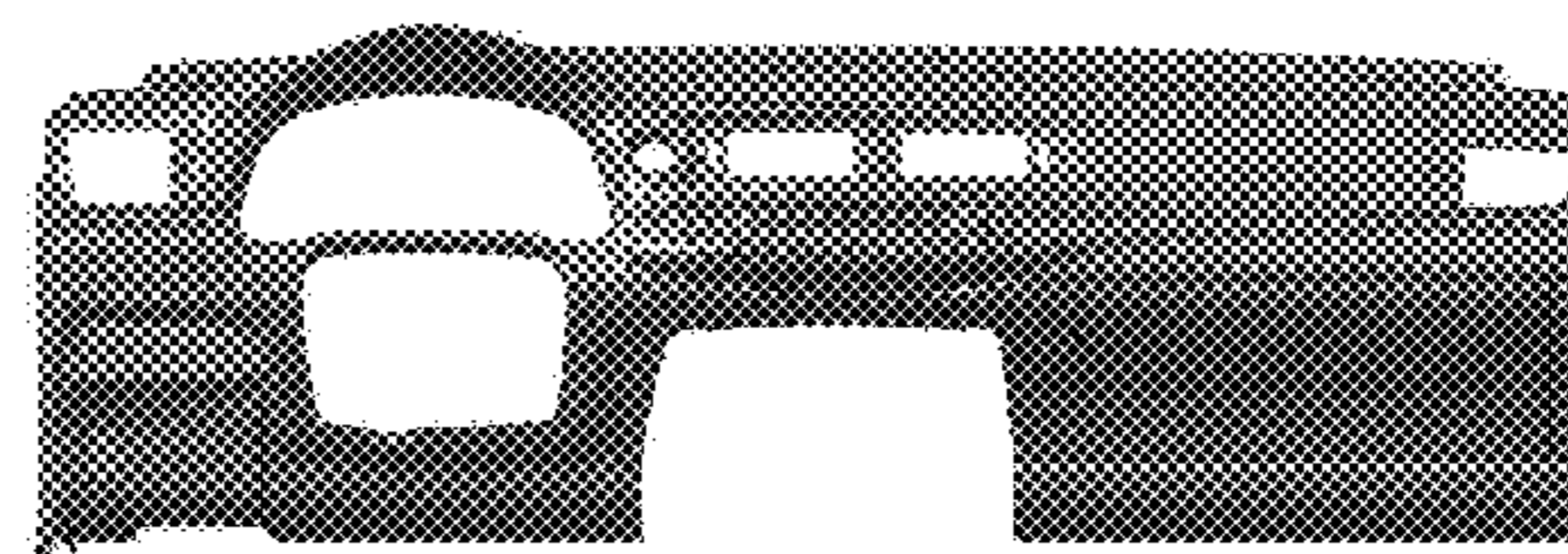
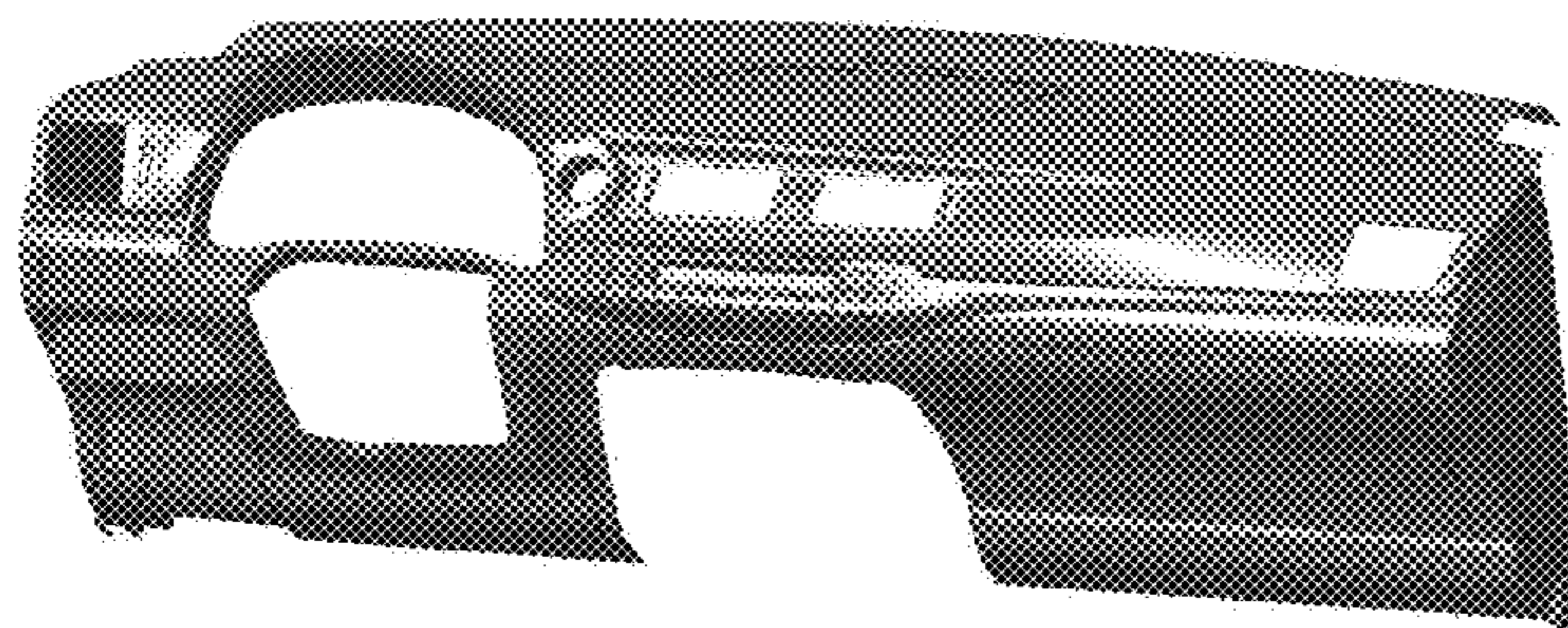
FIG. 3 is a bottom plan view thereof;

FIG. 4 is a front view thereof;

FIG. 5 is a right side view thereof; and,

FIG. 6 is a left side view thereof.

1 Claim, 3 Drawing Sheets



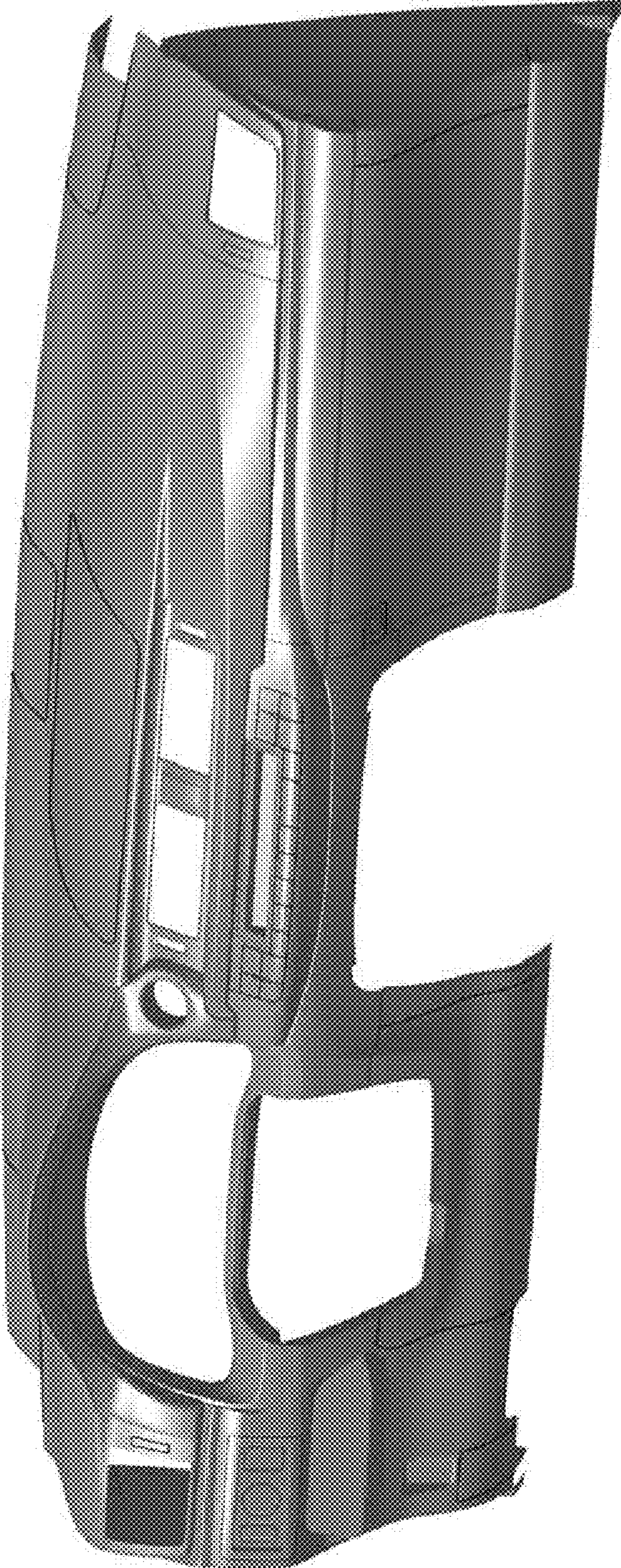


FIG. 1



FIG. 2

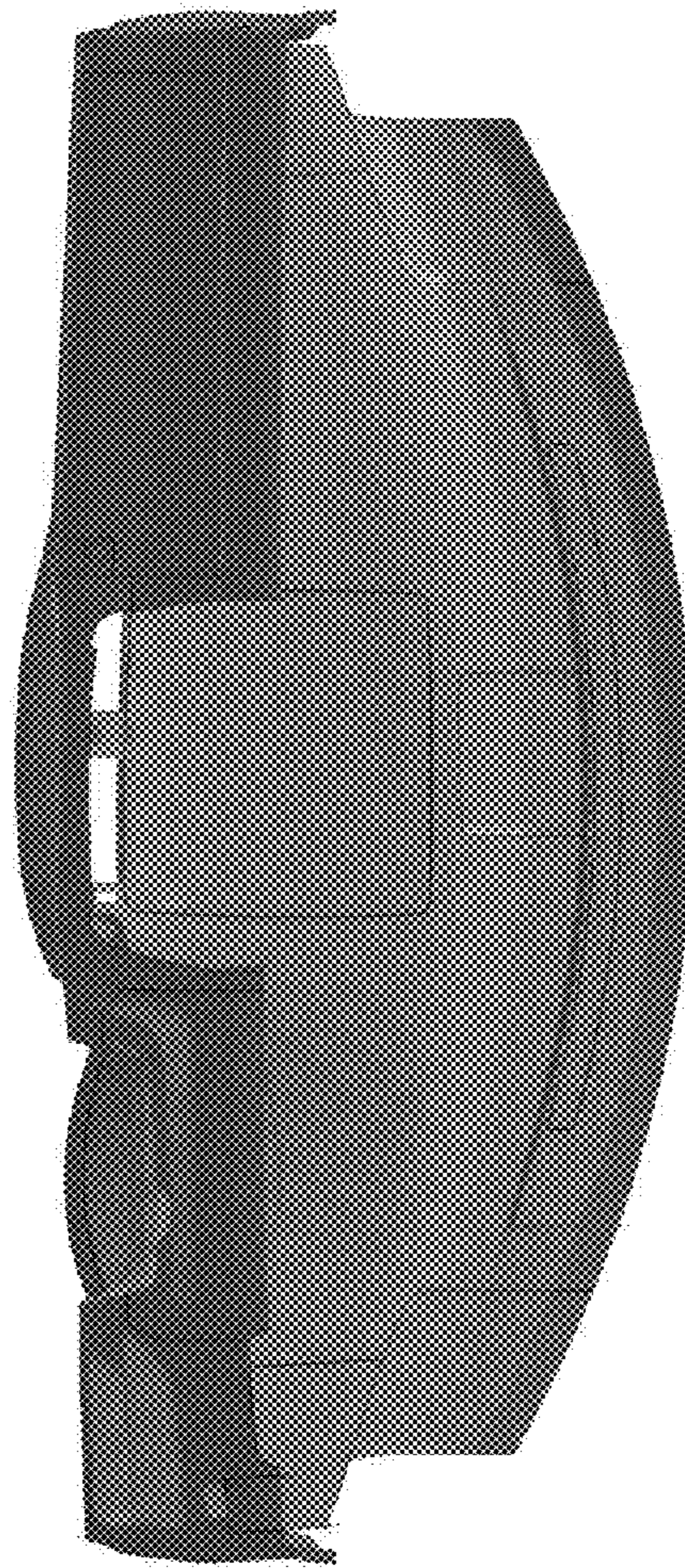


FIG. 3

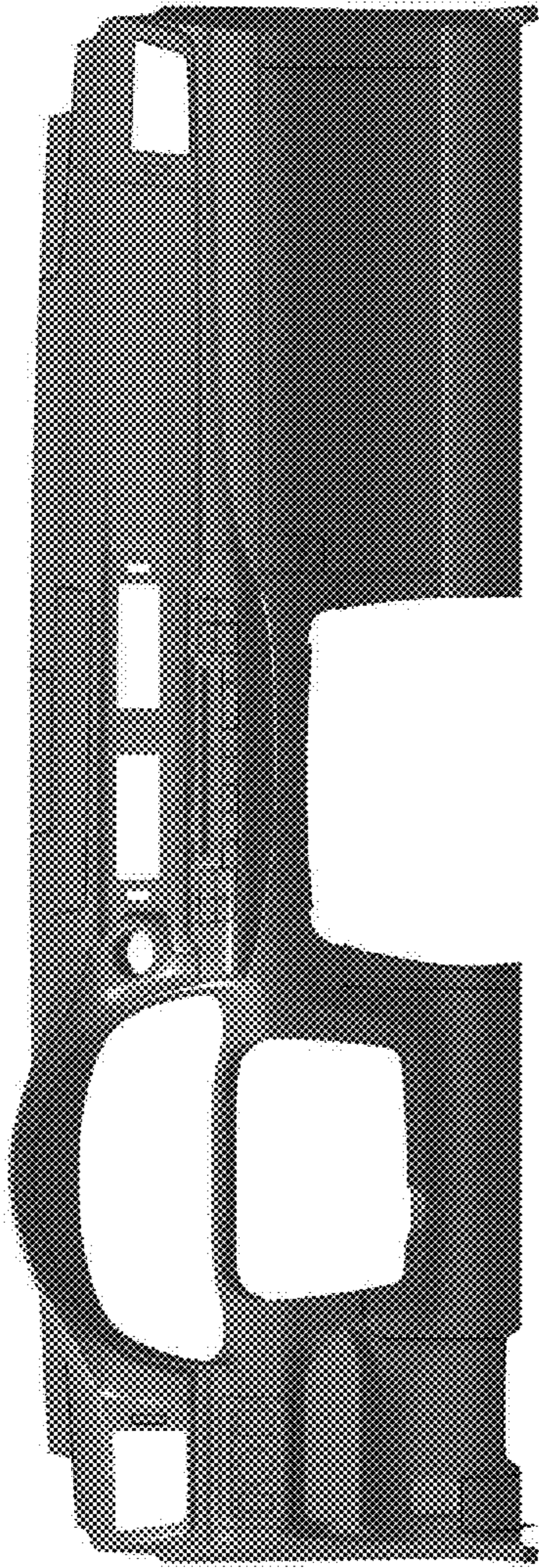


FIG. 4



FIG. 5

FIG. 6