



US00D625232S

(12) **United States Design Patent**
Borkert

(10) **Patent No.:** **US D625,232 S**
(45) **Date of Patent:** **** Oct. 12, 2010**

(54) **SPOILER FOR AN AUTOMOBILE**
(75) Inventor: **Mitja Borkert**, Pforzheim (DE)

D512,668 S * 12/2005 Preiss D12/181
D586,711 S * 2/2009 Sato D12/181
D605,993 S * 12/2009 Furuhashi et al. D12/181

(73) Assignee: **Dr. Ing h.c. F. Porsche AG**, Stuttgart (DE)

* cited by examiner

Primary Examiner—Robert M Spear
Assistant Examiner—Katrina A Kile

(**) Term: **14 Years**

(21) Appl. No.: **29/318,628**

(57) **CLAIM**

(22) Filed: **May 23, 2008**

The ornamental design for a spoiler for an automobile, as shown and described.

(30) **Foreign Application Priority Data**

Nov. 23, 2007 (DE) 4 07 05 798

DESCRIPTION

(51) **LOC (9) Cl.** **12-08**

FIG. 1 is a bottom and front, perspective view of the spoiler for an automobile, showing my new design;

(52) **U.S. Cl.** **D12/181**

FIG. 2 is a top and rear, perspective view thereof;

(58) **Field of Classification Search** D12/181,
D12/191, 196, 400, 190, 88; 280/848, 770,
280/727; 296/91, 180.1–180.5; 180/903
See application file for complete search history.

FIG. 3 is a front view thereof;

FIG. 4 is a rear view thereof;

FIG. 5 is a left-side enlarged, perspective view thereof;

FIG. 6 is a right-side enlarged, perspective view thereof;

FIG. 7 is a top, plan view thereof; and,

FIG. 8 is a bottom, plan view thereof.

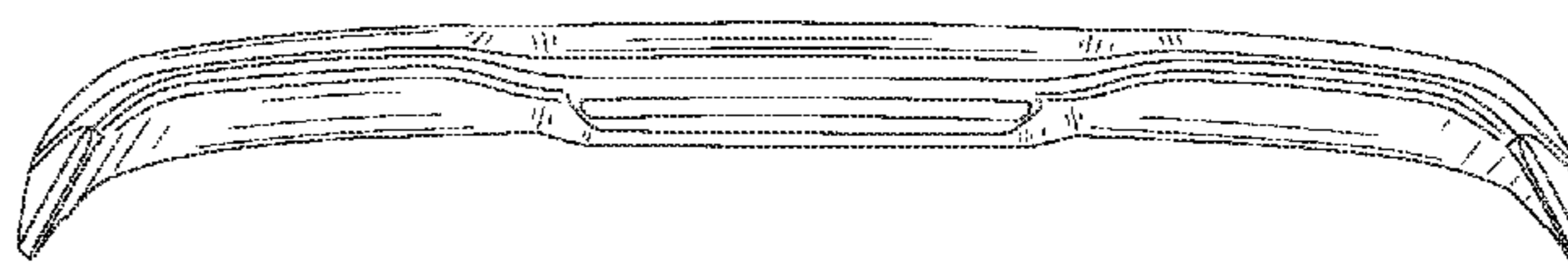
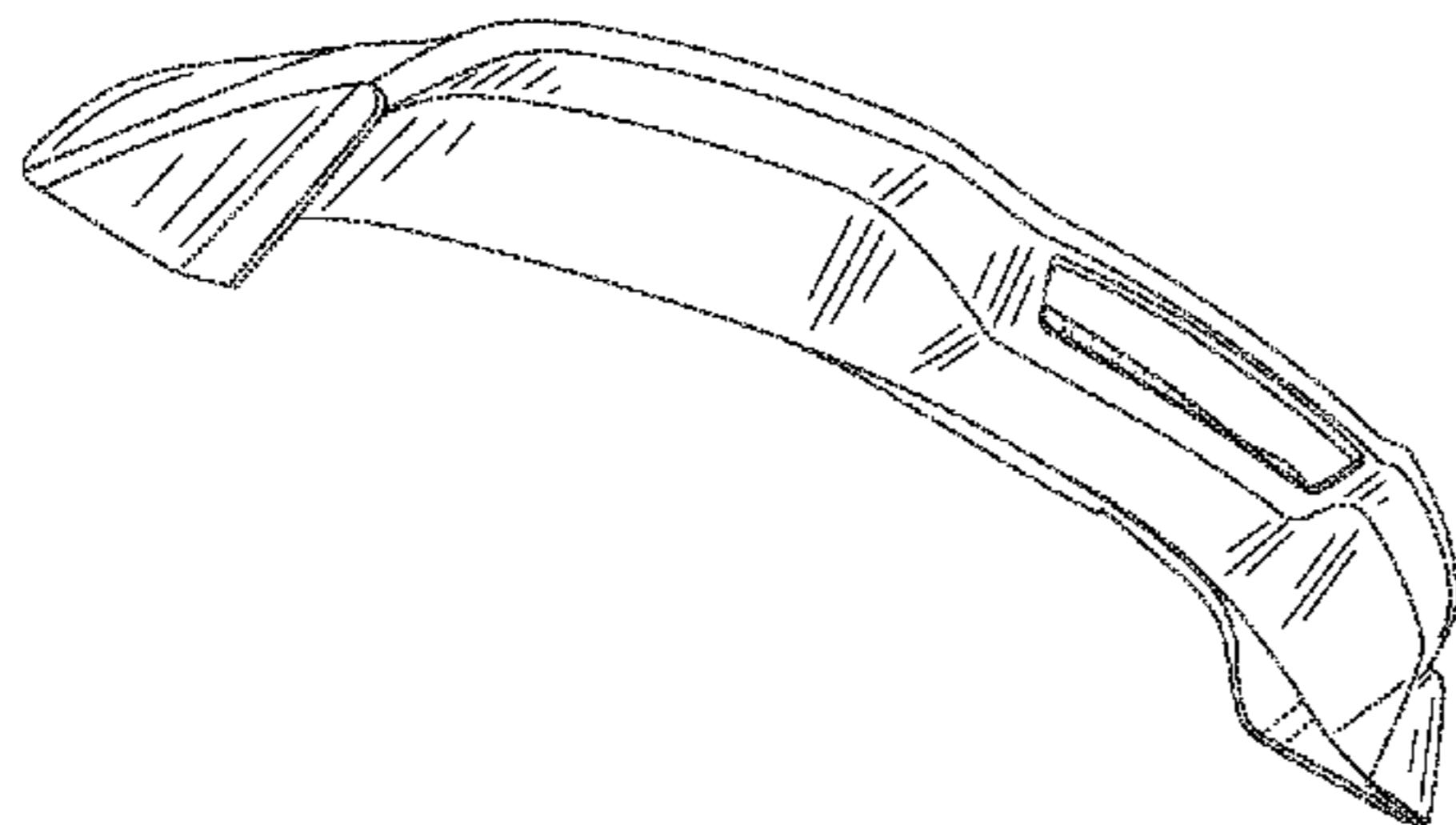
In the drawings, the broken lines in FIGS. 1, 2, 4 and 8 depict portions of the design that form no part of the claim.

(56) **References Cited**

U.S. PATENT DOCUMENTS

D433,976 S * 11/2000 Hatter D12/181
D441,331 S * 5/2001 Hatter D12/181
D467,843 S * 12/2002 Hatter D12/181
D487,040 S * 2/2004 Iwata D12/181
D491,121 S * 6/2004 Yokomaku D12/181

1 Claim, 4 Drawing Sheets



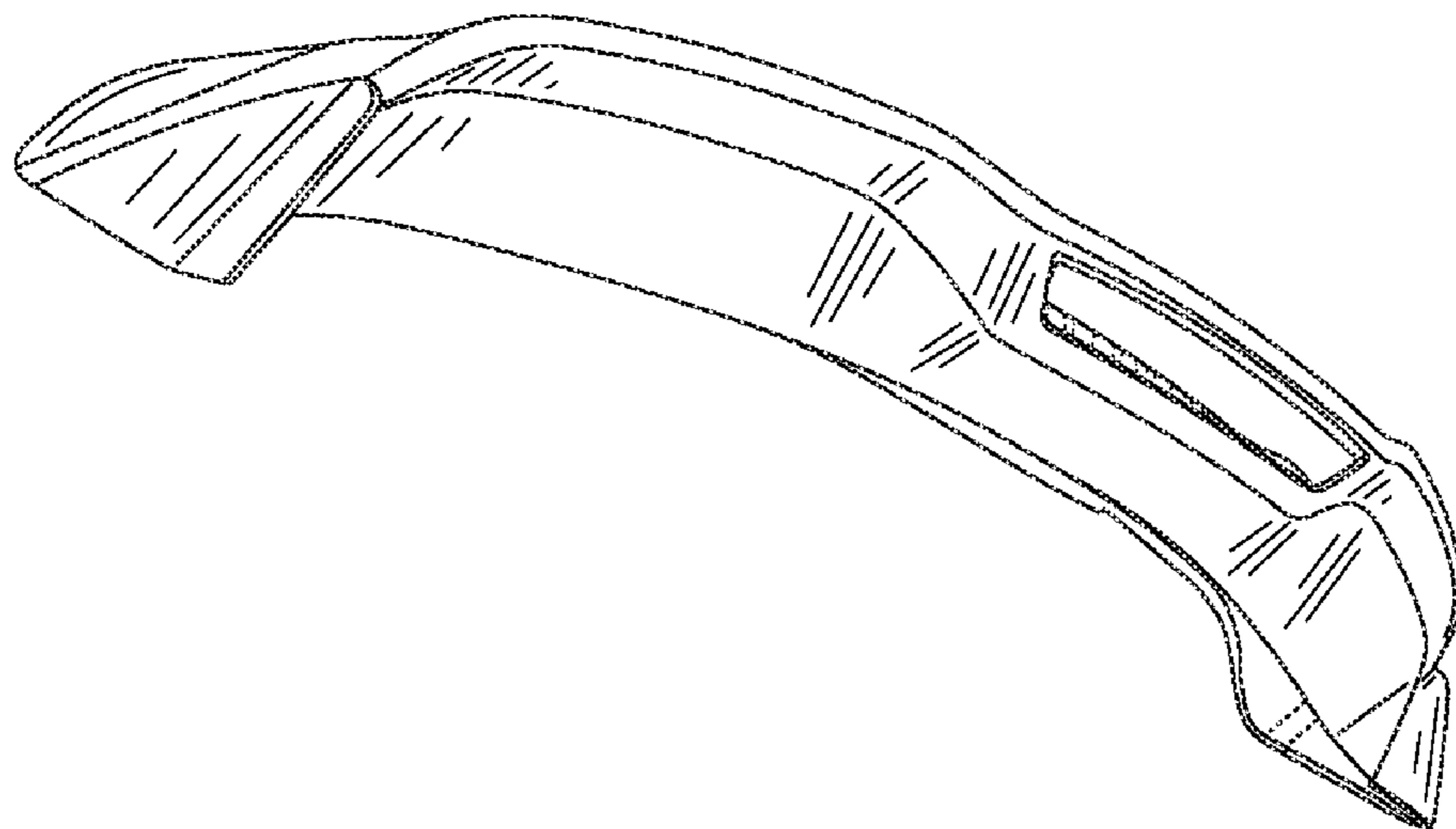


FIG. 1

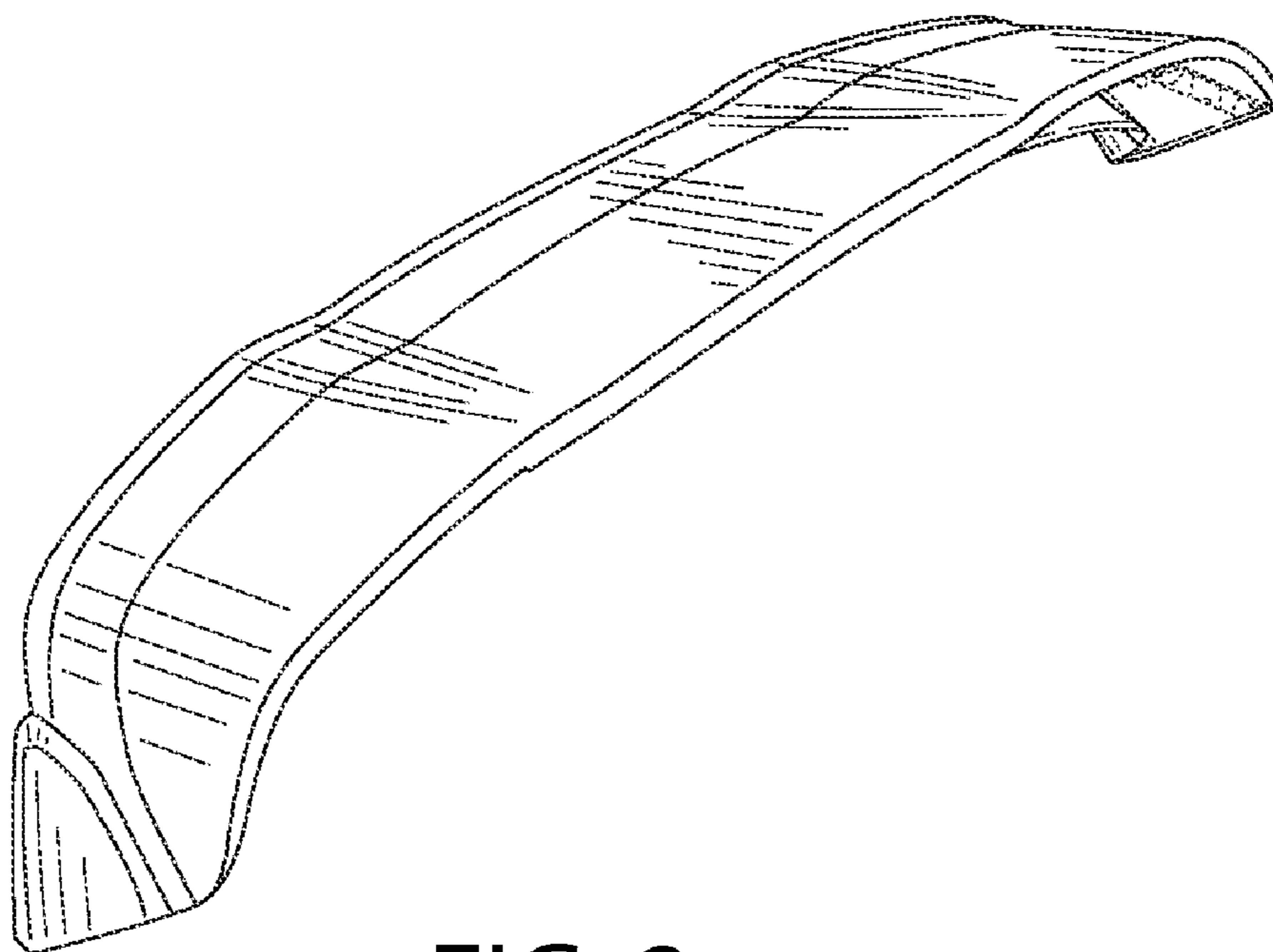


FIG. 2

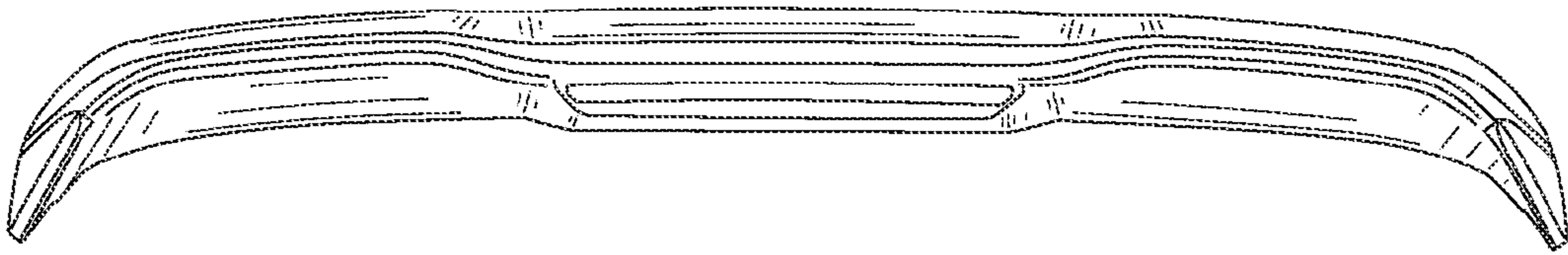


FIG. 3

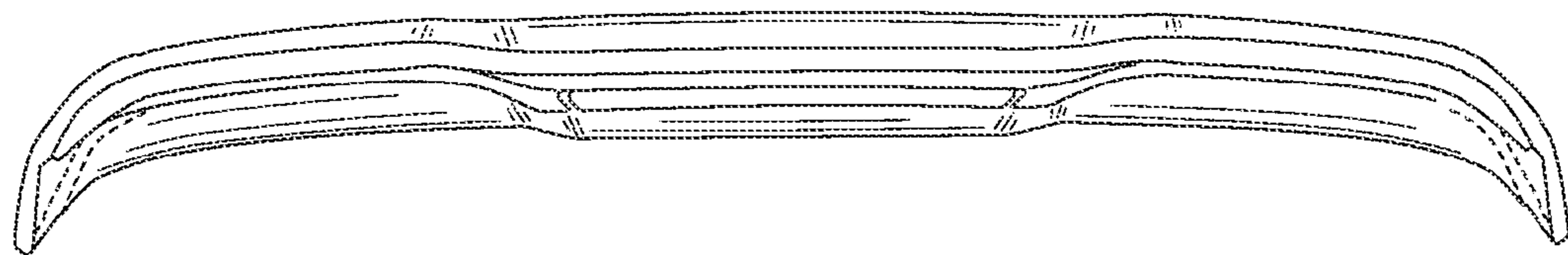


FIG. 4

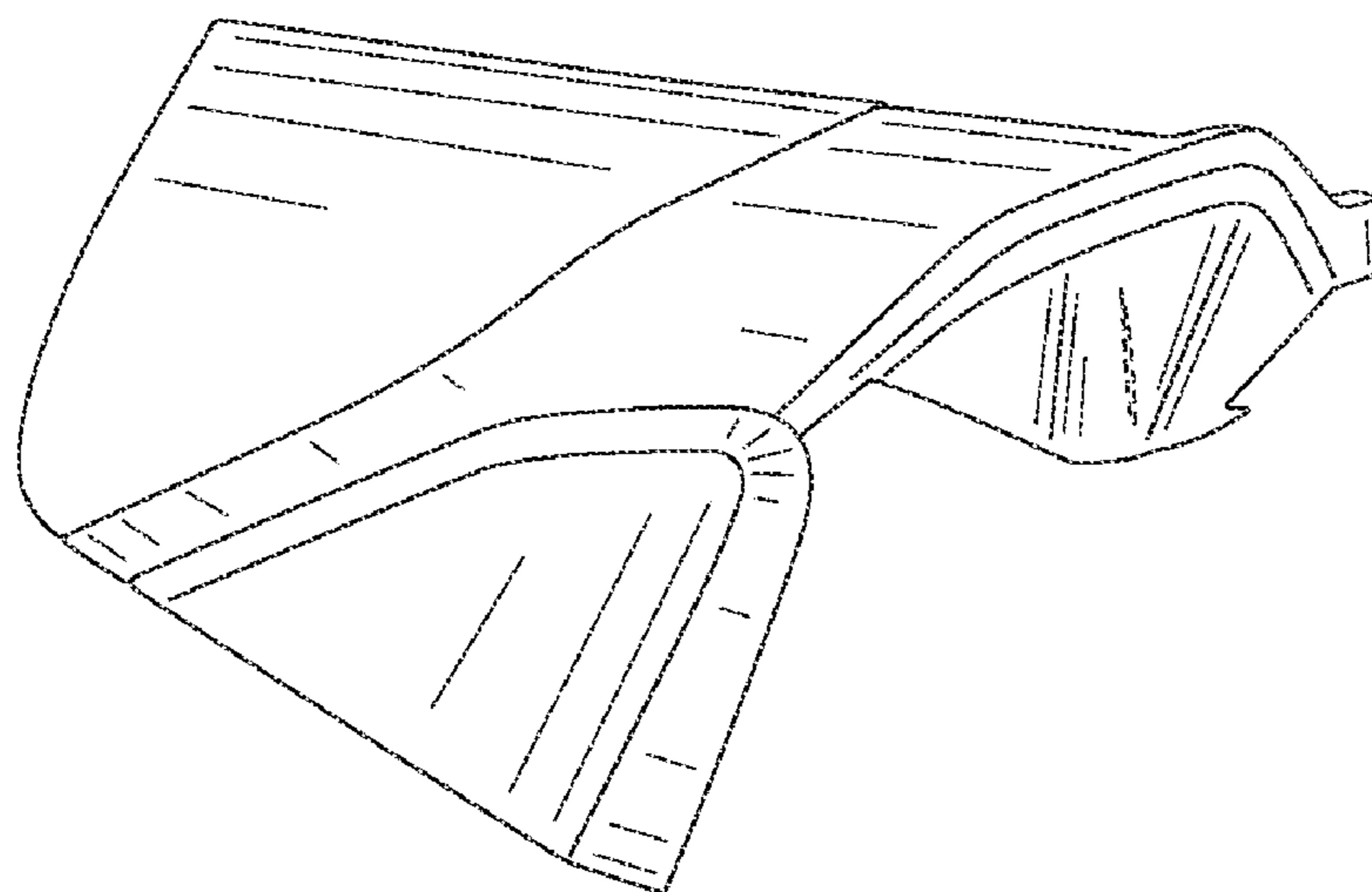


FIG. 5

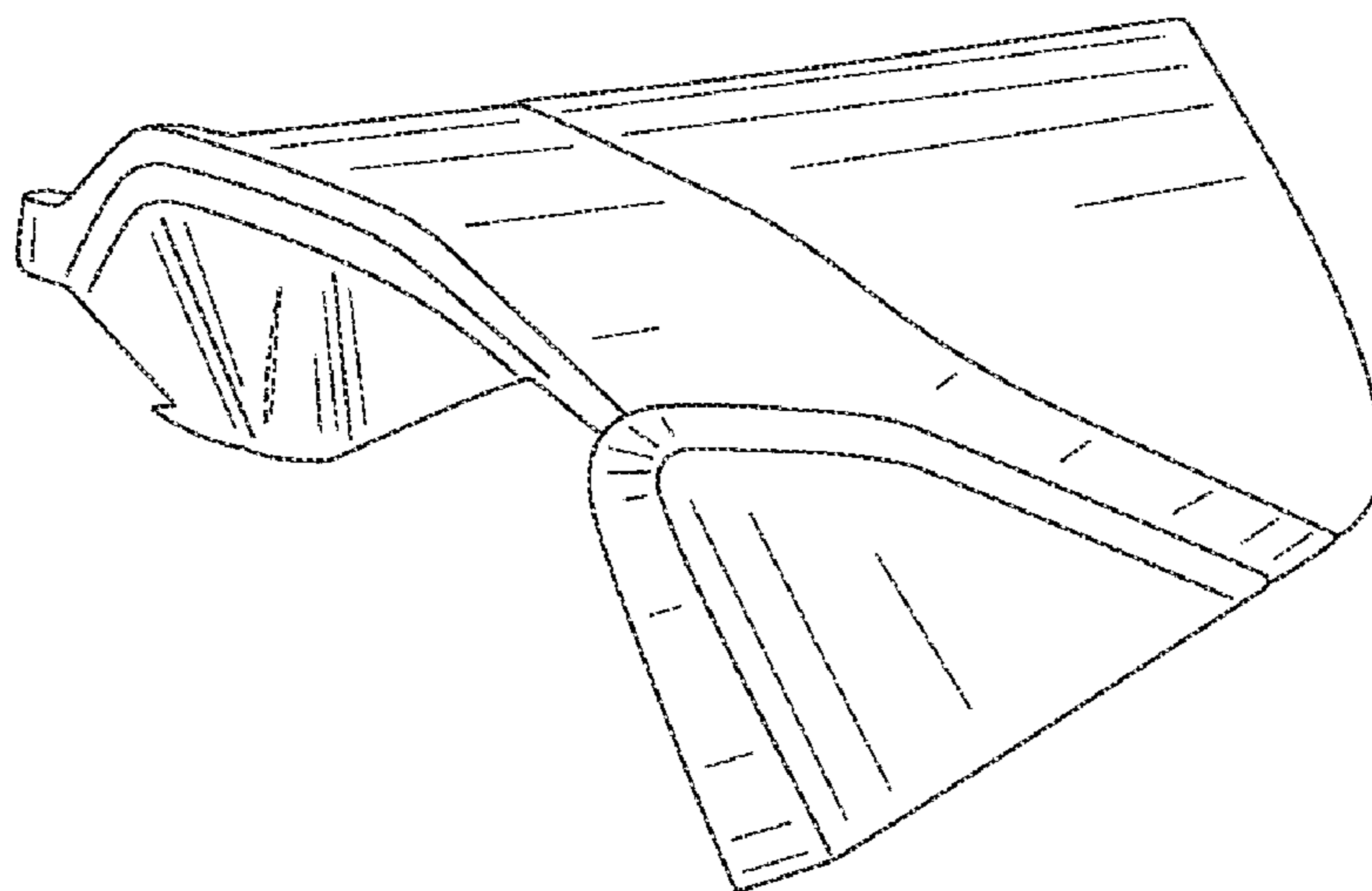


FIG. 6

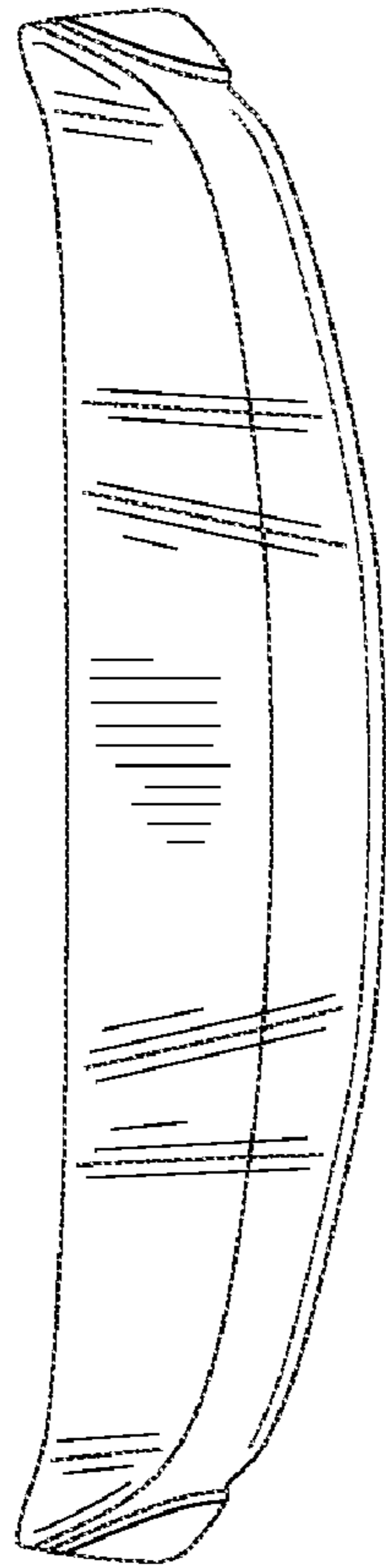


FIG. 7

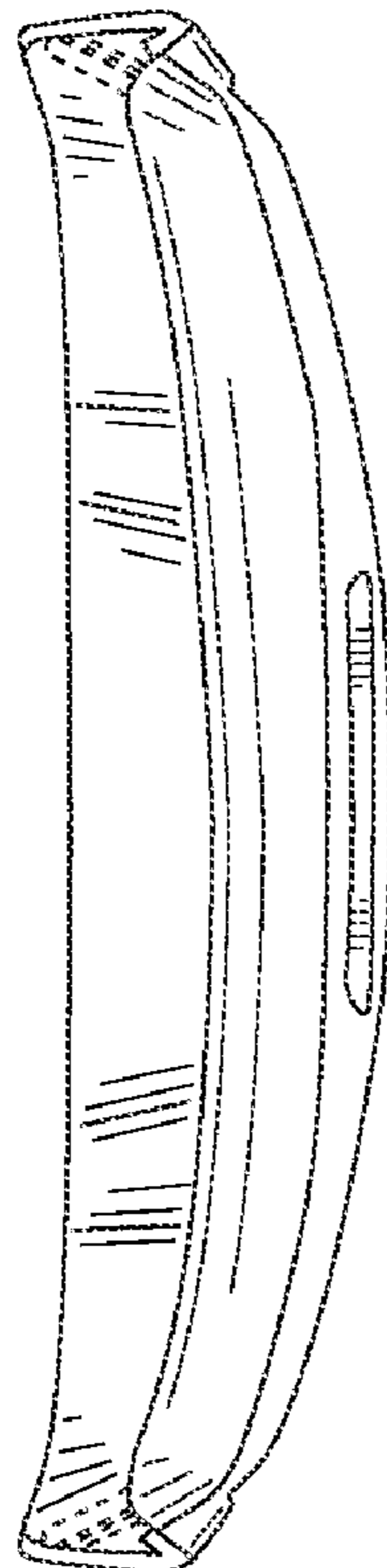


FIG. 8