



US00D625231S

(12) **United States Design Patent**
Suzuki

(10) **Patent No.:** **US D625,231 S**

(45) **Date of Patent:** **** Oct. 12, 2010**

(54) **ANCHOR BRACKET FOR A DISC BRAKE**

(75) Inventor: **Shinji Suzuki**, Kanagawa (JP)

(73) Assignee: **Hitachi, Ltd.**, Tokyo (JP)

(**) Term: **14 Years**

(21) Appl. No.: **29/309,712**

(22) Filed: **Sep. 29, 2008**

(51) **LOC (9) Cl.** **12-16**

(52) **U.S. Cl.** **D12/180**

(58) **Field of Classification Search** D12/86,
D12/163, 171, 177, 180, 196, 223; 188/1.11 W,
188/71.1, 71.5, 72.2, 72.4, 73.31-73.39,
188/73.41-73.46, 218 XL, 370; 192/70.2,
192/70.16, 70.17, 107 R

See application file for complete search history.

(56) **References Cited**

U.S. PATENT DOCUMENTS

6,386,335 B1 *	5/2002	DiPonio	188/73.31
D490,350 S *	5/2004	Blaschke et al.	D12/180
D528,951 S *	9/2006	Oben	D12/180
D610,507 S *	2/2010	Azimonti	D12/180

* cited by examiner

Primary Examiner—Robert M Spear

Assistant Examiner—Barbara B Lohr

(74) *Attorney, Agent, or Firm*—Wenderoth, Lind & Ponack, L.L.P.

(57) **CLAIM**

The ornamental design for an anchor bracket for a disc brake, as shown and described.

DESCRIPTION

FIG. 1 is a perspective view of an anchor bracket for a disc brake showing the new design as seen from the front, top and right sides thereof;

FIG. 2 is a perspective view of the anchor bracket for a disc brake as seen from the front, bottom and right sides thereof;

FIG. 3 is a front view of the anchor bracket for a disc brake;

FIG. 4 is a plan view of the anchor bracket for a disc brake;

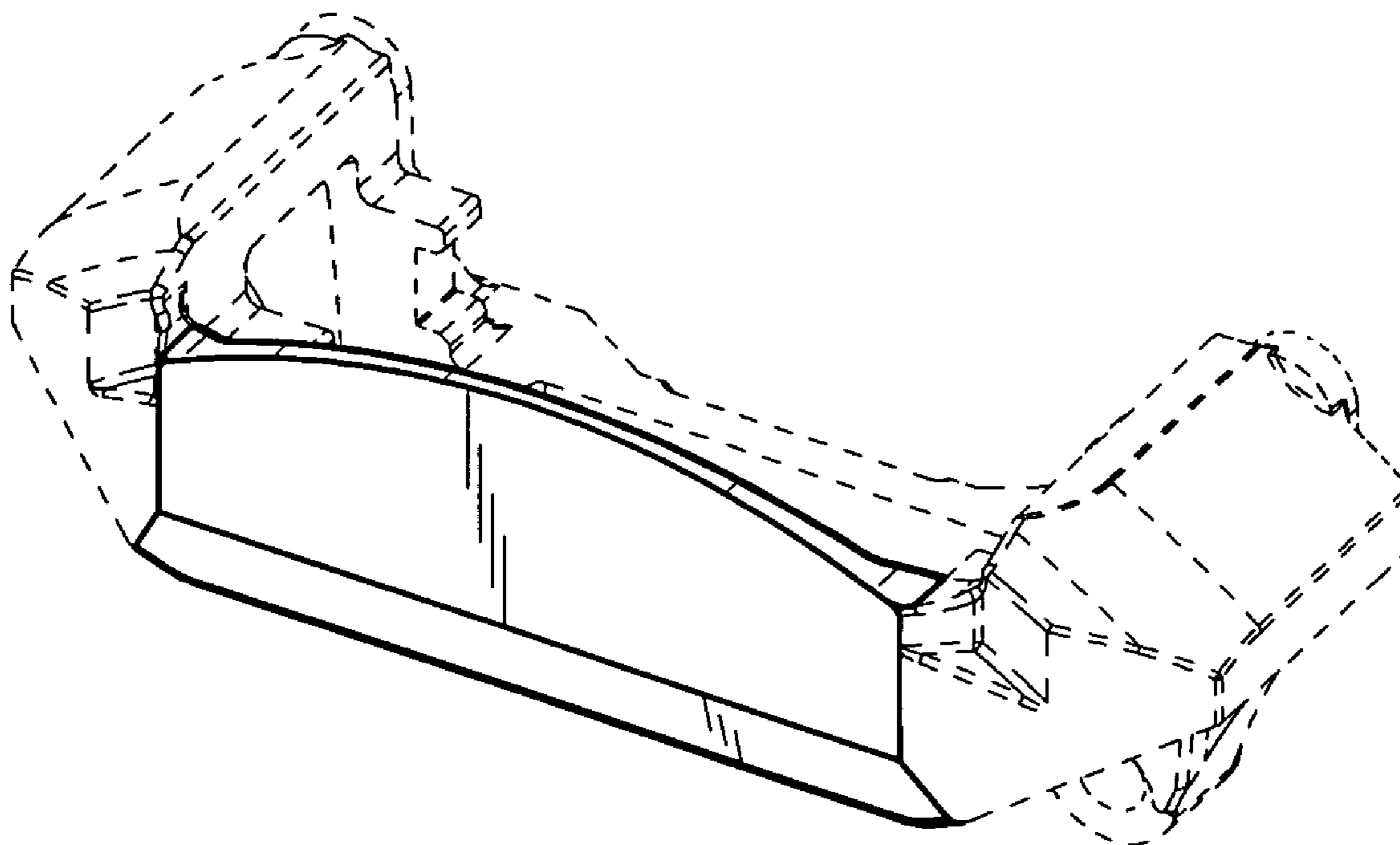
FIG. 5 is a bottom view of the anchor bracket for a disc brake;

FIG. 6 is a right side view of the anchor bracket for a disc brake; and,

FIG. 7 is a rear view of the anchor bracket for a disc brake.

The broken lines in the drawings represent unclaimed environmental subject matter.

1 Claim, 3 Drawing Sheets



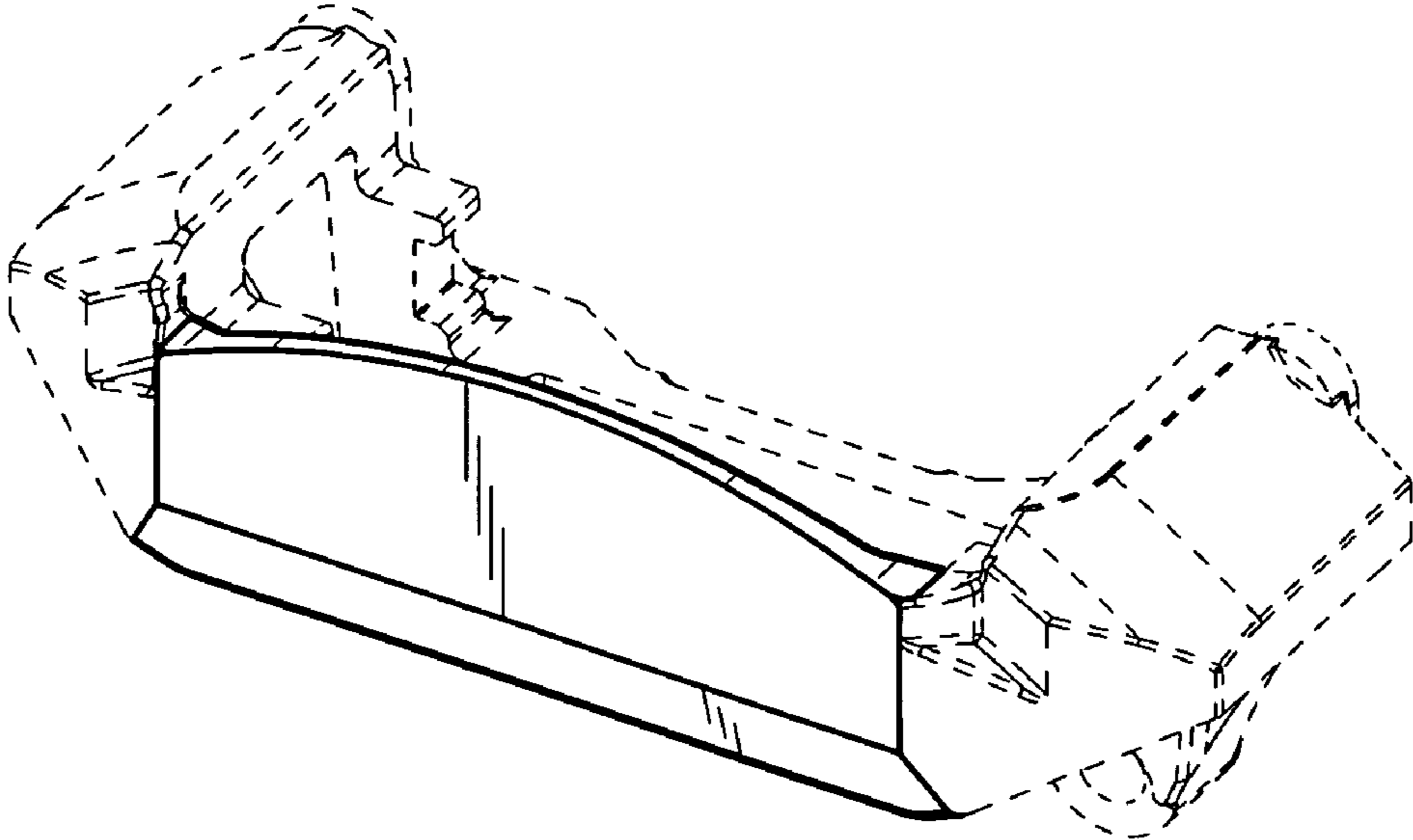


FIG. 1

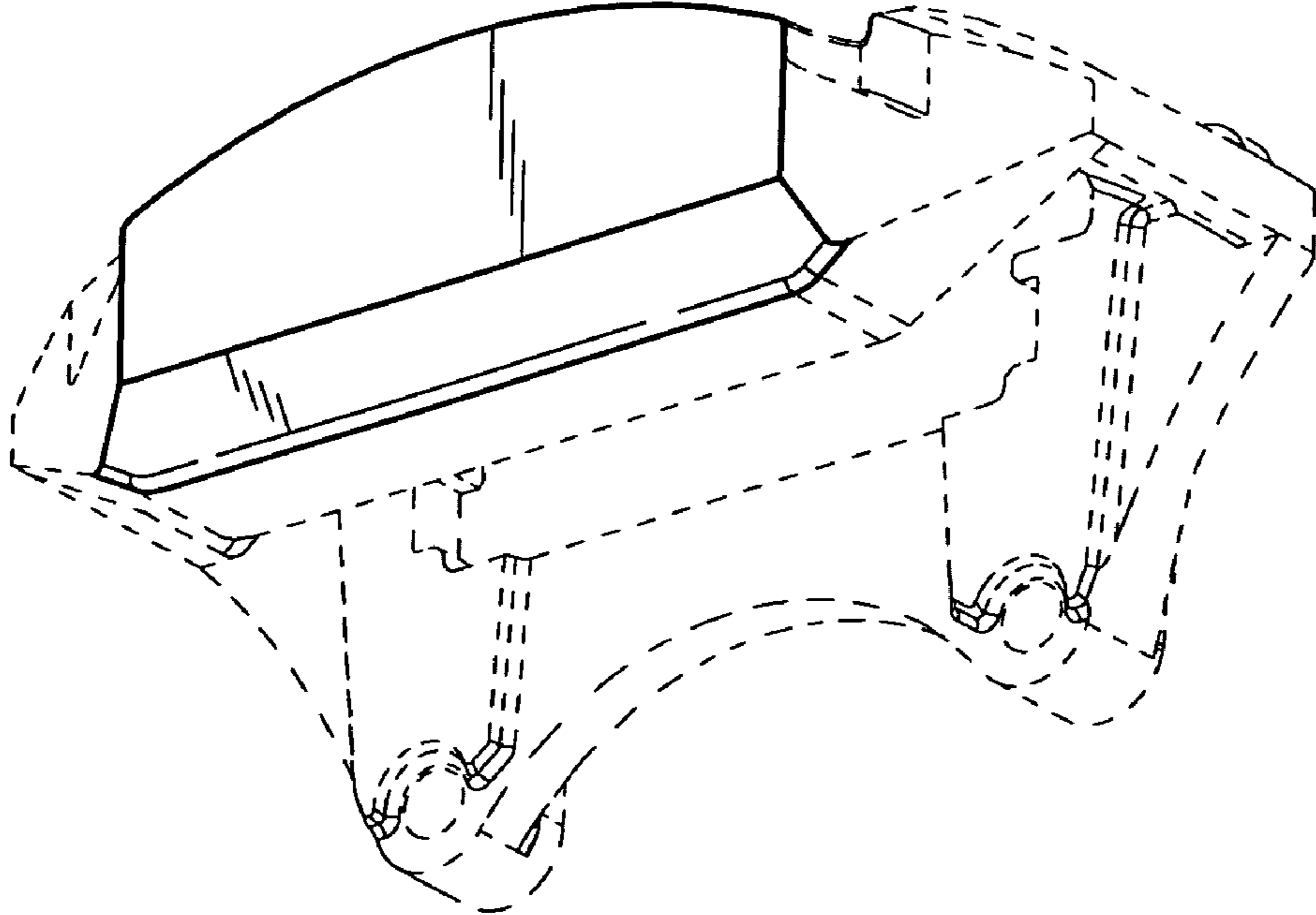


FIG. 2

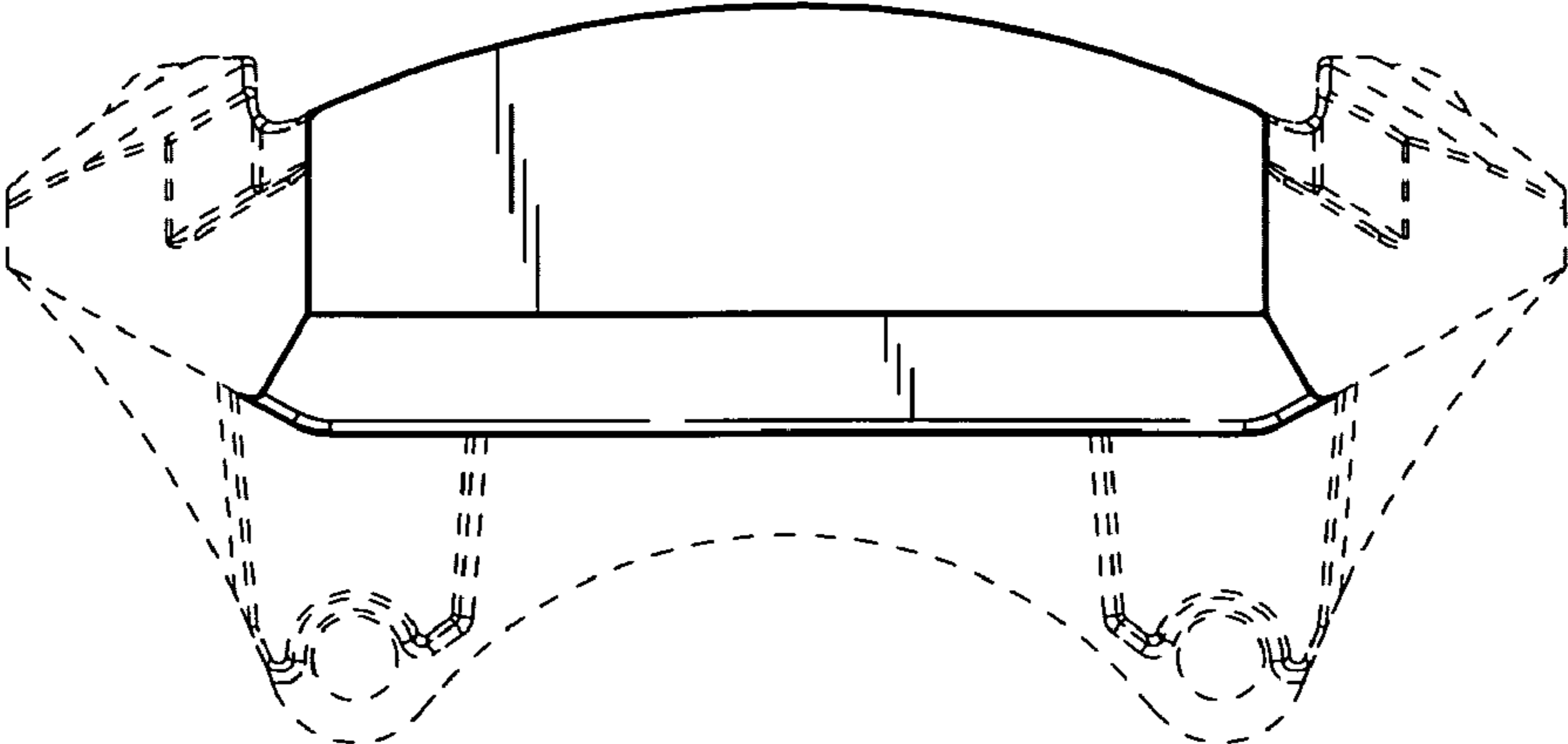


FIG. 3

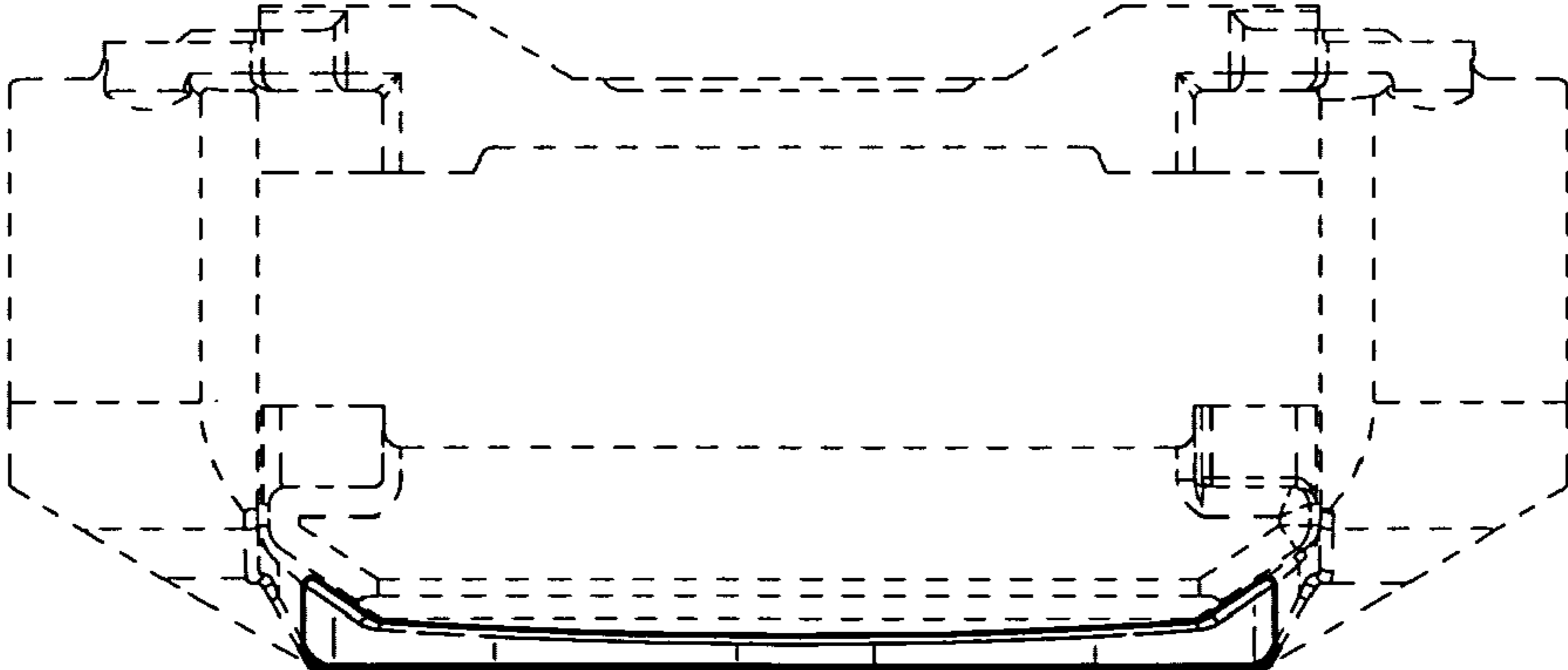


FIG. 4

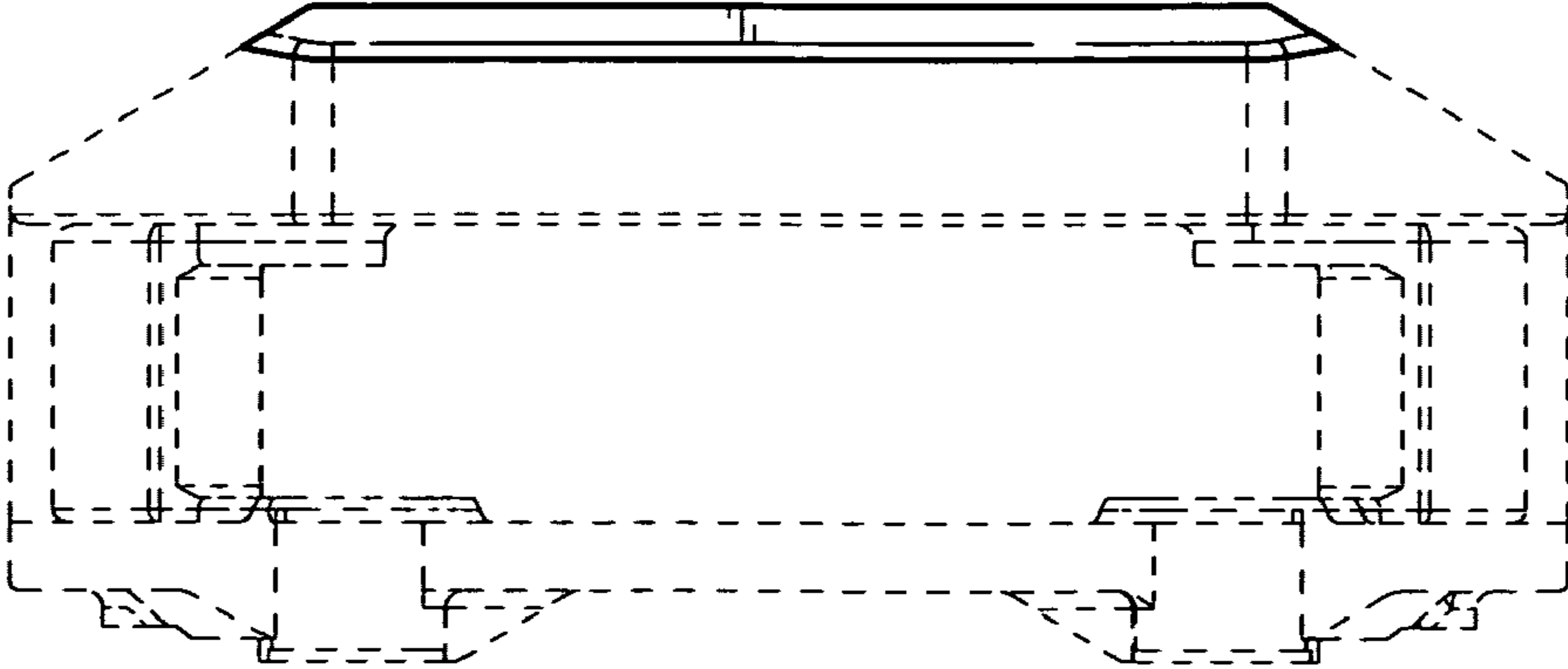


FIG. 5

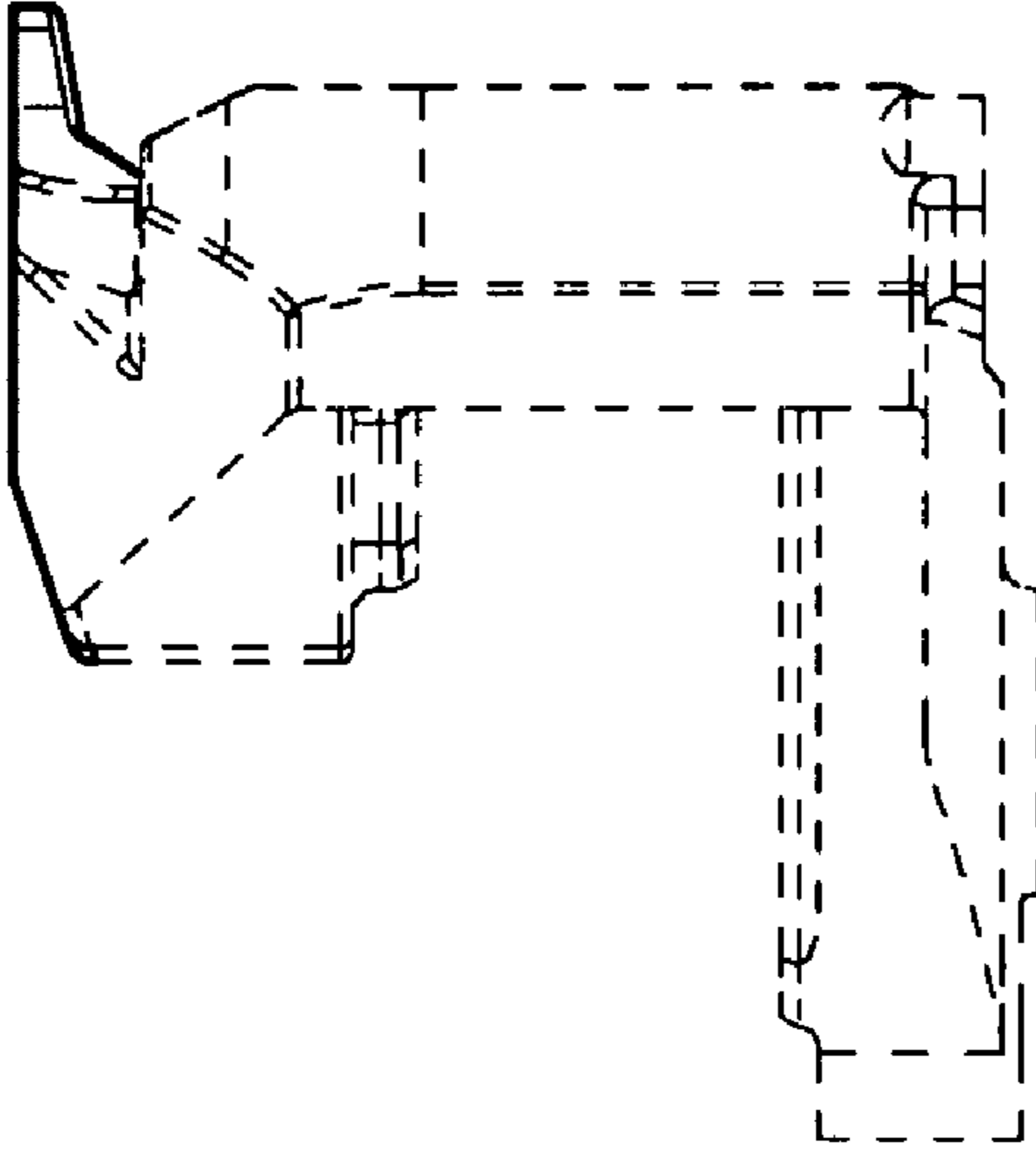


FIG. 6

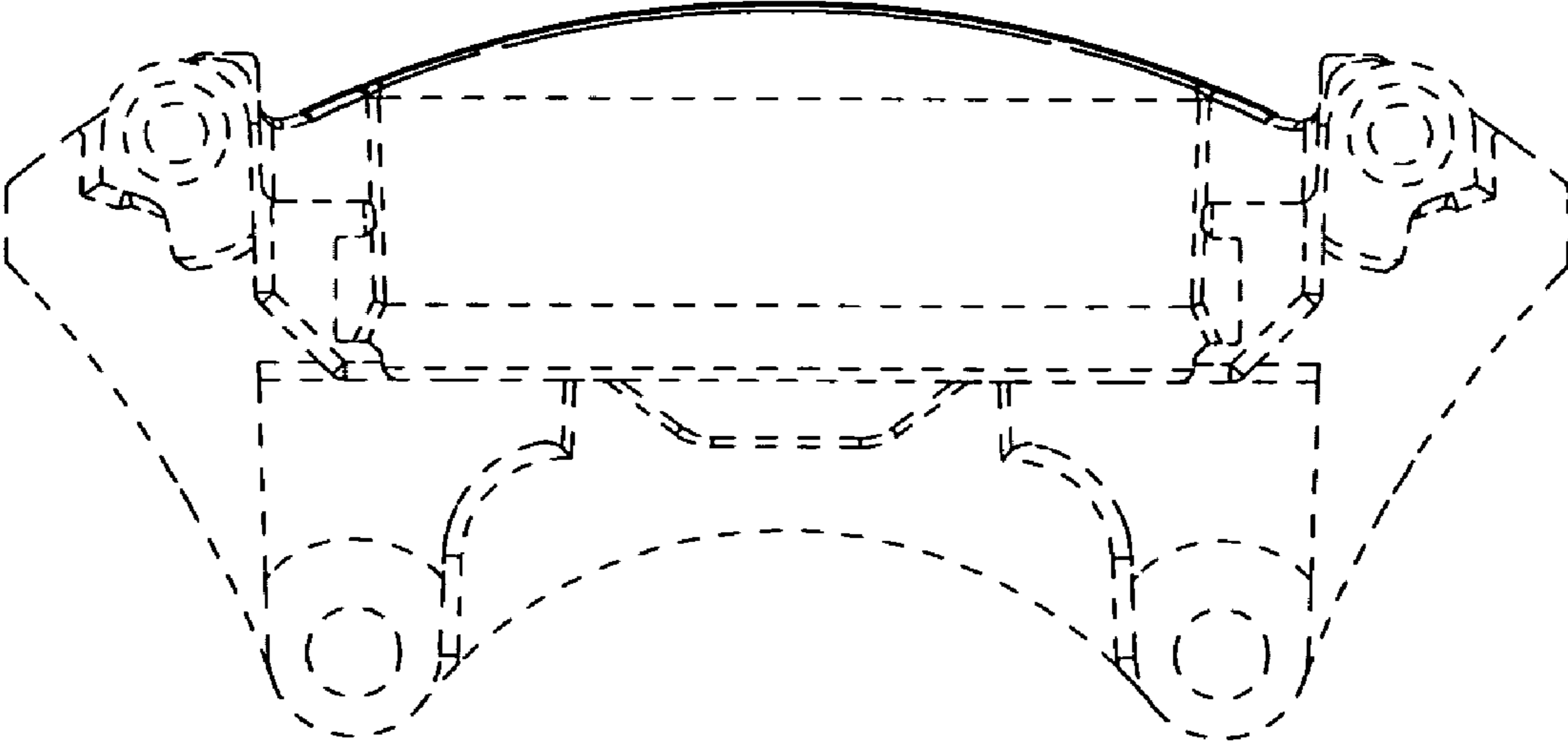


FIG. 7