



US00D625228S

(12) **United States Design Patent**  
**Lockart**

(10) **Patent No.:** **US D625,228 S**  
(45) **Date of Patent:** **\*\* Oct. 12, 2010**

(54) **BICYCLE**

(75) Inventor: **Chad E. Lockart**, Madison, WI (US)

(73) Assignee: **G-Cycle, LLC**, Waterloo, WI (US)

(\*\*) Term: **14 Years**

(21) Appl. No.: **29/350,871**

(22) Filed: **Nov. 24, 2009**

(51) **LOC (9) Cl.** ..... **12-11**

(52) **U.S. Cl.** ..... **D12/111**

(58) **Field of Classification Search** ..... D12/111,  
D12/110; 280/202, 274-280, 281.1, 288.1-288.3,  
280/283-288; 180/205-207, 65.1, 65.6,  
180/216, 217, 219, 220, 65.51, 221-224  
See application file for complete search history.

(56) **References Cited**

**U.S. PATENT DOCUMENTS**

- 3,735,981 A \* 5/1973 Mallin ..... 482/61
- 3,964,610 A 6/1976 Deiner
- 4,021,034 A 5/1977 Olesen
- 4,262,899 A 4/1981 Alvarez
- 4,306,660 A 12/1981 Livingston
- 4,421,308 A 12/1983 Nagy
- 4,593,898 A 6/1986 McLerran et al.
- 4,941,651 A 7/1990 Phillips
- 4,955,600 A 9/1990 Hoffenberg et al.
- 5,026,047 A 6/1991 Kosecoff
- 5,042,795 A 8/1991 Bursik
- 5,145,478 A 9/1992 Minoura
- 5,152,729 A 10/1992 Phillips
- 5,278,538 A 1/1994 Ainsworth et al.
- 5,417,629 A 5/1995 Phipps
- 5,498,015 A 3/1996 Trout et al.
- D386,723 S \* 11/1997 Fujieda ..... D12/110
- 5,812,070 A 9/1998 Tagami et al.
- D401,534 S \* 11/1998 Higashihara et al. .... D12/110
- D402,925 S \* 12/1998 Kino et al. .... D12/110
- 5,917,407 A 6/1999 Squire et al.
- D414,721 S \* 10/1999 Nakamura ..... D12/111

- 6,148,944 A \* 11/2000 Adomi et al. .... 180/220
- 6,154,006 A 11/2000 Hatanaka et al.
- 6,257,419 B1 7/2001 Kamysiak
- 6,336,562 B1 1/2002 Mori

(Continued)

**FOREIGN PATENT DOCUMENTS**

EP 1304636 A1 4/2003

(Continued)

*Primary Examiner*—Susan M. Lee  
*Assistant Examiner*—Linda G. Brooks  
(74) *Attorney, Agent, or Firm*—Boyle Fredrickson, S.C.

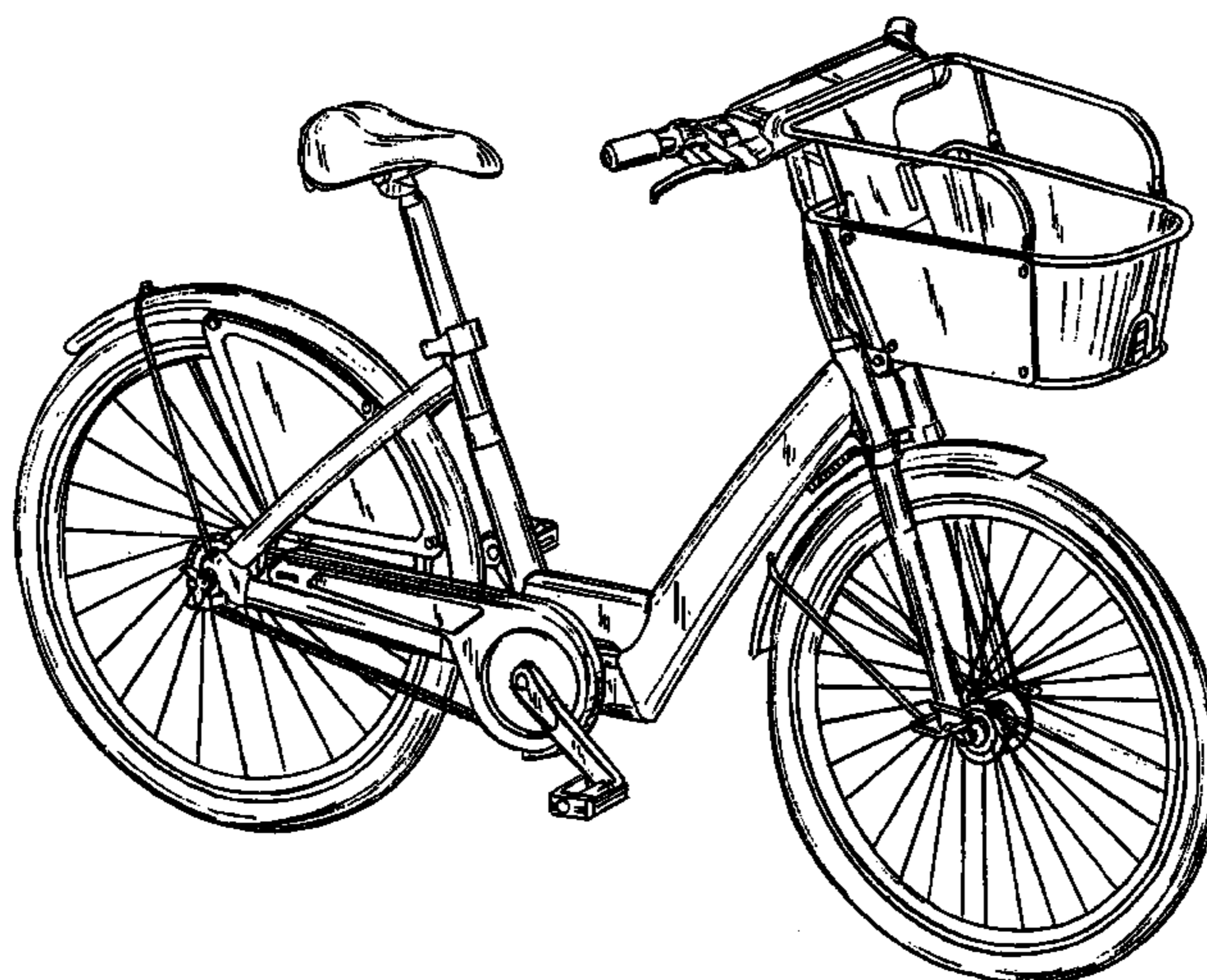
(57) **CLAIM**

The ornamental design for a bicycle, substantially as shown and described.

**DESCRIPTION**

FIG. 1 is an elevated forward perspective view of a bicycle according to the present invention;  
FIG. 2 is a right side elevation view of the bicycle of FIG. 1;  
FIG. 3 is a left side elevation view of the bicycle shown in FIG. 1;  
FIG. 4 is a top plan view of the bicycle shown in FIG. 1;  
FIG. 5 is a bottom plan view of the bicycle shown in FIG. 1;  
FIG. 6 is front elevation view of the bicycle shown in FIG. 1; and,  
FIG. 7 is rear elevation view of the bicycle shown in FIG. 1.

**1 Claim, 7 Drawing Sheets**



# US D625,228 S

Page 2

## U.S. PATENT DOCUMENTS

6,384,717 B1 5/2002 DeVolpi  
6,620,081 B2 9/2003 Phillips  
D481,334 S \* 10/2003 Kitayama et al. .... D12/111  
6,636,145 B1 10/2003 Murakami et al.  
6,850,153 B1 2/2005 Murakami et al.  
6,850,898 B1 2/2005 Murakami et al.  
6,941,197 B1 9/2005 Murakami et al.  
6,947,881 B1 9/2005 Murakami et al.  
6,965,323 B2 11/2005 Uehara et al.  
6,975,997 B1 12/2005 Murakami et al.  
7,181,409 B1 2/2007 Murakami et al.  
7,271,701 B2 9/2007 Kokubu et al.  
D574,756 S \* 8/2008 Masui et al. .... D12/111  
7,407,466 B2 8/2008 Chiu  
D578,440 S 10/2008 Giugiaro  
7,471,191 B2 12/2008 Le Gars  
D593,006 S 5/2009 Dallaire  
D594,787 S 6/2009 Dallaire  
D595,618 S 7/2009 Dallaire  
D595,646 S 7/2009 Dallaire  
D597,896 S 8/2009 Dallaire  
D600,201 S 9/2009 Dallaire  
2002/0174077 A1 11/2002 Yui et al.  
2004/0093227 A1 5/2004 Cho  
2004/0176969 A1 9/2004 Fujinuma  
2005/0012589 A1 1/2005 Kokubu et al.  
2005/0080752 A1 4/2005 Uehara et al.

2006/0116132 A1 6/2006 Le Gars  
2006/0259353 A1 11/2006 Gutmann  
2007/0107322 A1 5/2007 Blume  
2007/0158949 A1 7/2007 Le Gars et al.  
2007/0239465 A1 10/2007 Le Gars  
2007/0239478 A1 10/2007 Yui et al.  
2007/0239627 A1 10/2007 Yui et al.  
2007/0250444 A1 10/2007 Yui et al.  
2008/0018440 A1 1/2008 Aulbers et al.  
2008/0027794 A1 1/2008 Le Gars et al.  
2008/0094192 A1 4/2008 Dutt  
2008/0297108 A1 12/2008 Le Gars

## FOREIGN PATENT DOCUMENTS

EP 1382519 A2 1/2004  
EP 1382519 A3 1/2007  
EP 2130750 A2 12/2009  
ES 2308887 12/2008  
JP 2005196403 7/2005  
JP 2005202900 7/2005  
WO WO 02/11006 2/2002  
WO WO 02/067210 8/2002  
WO WO 2005/055161 6/2005  
WO WO 2005/014105 2/2006  
WO WO2008/157443 12/2008  
WO WO2009/059164 5/2009

\* cited by examiner

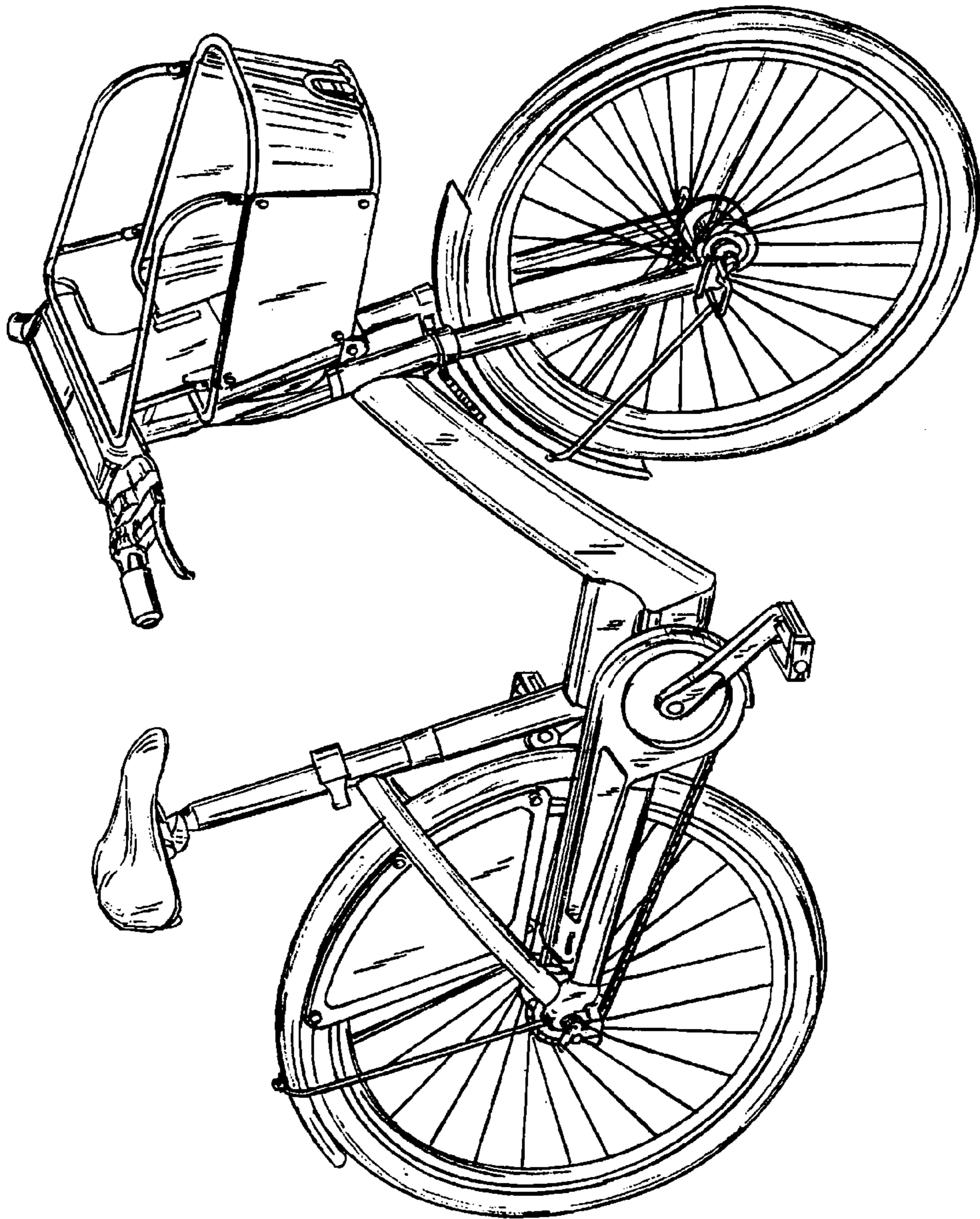
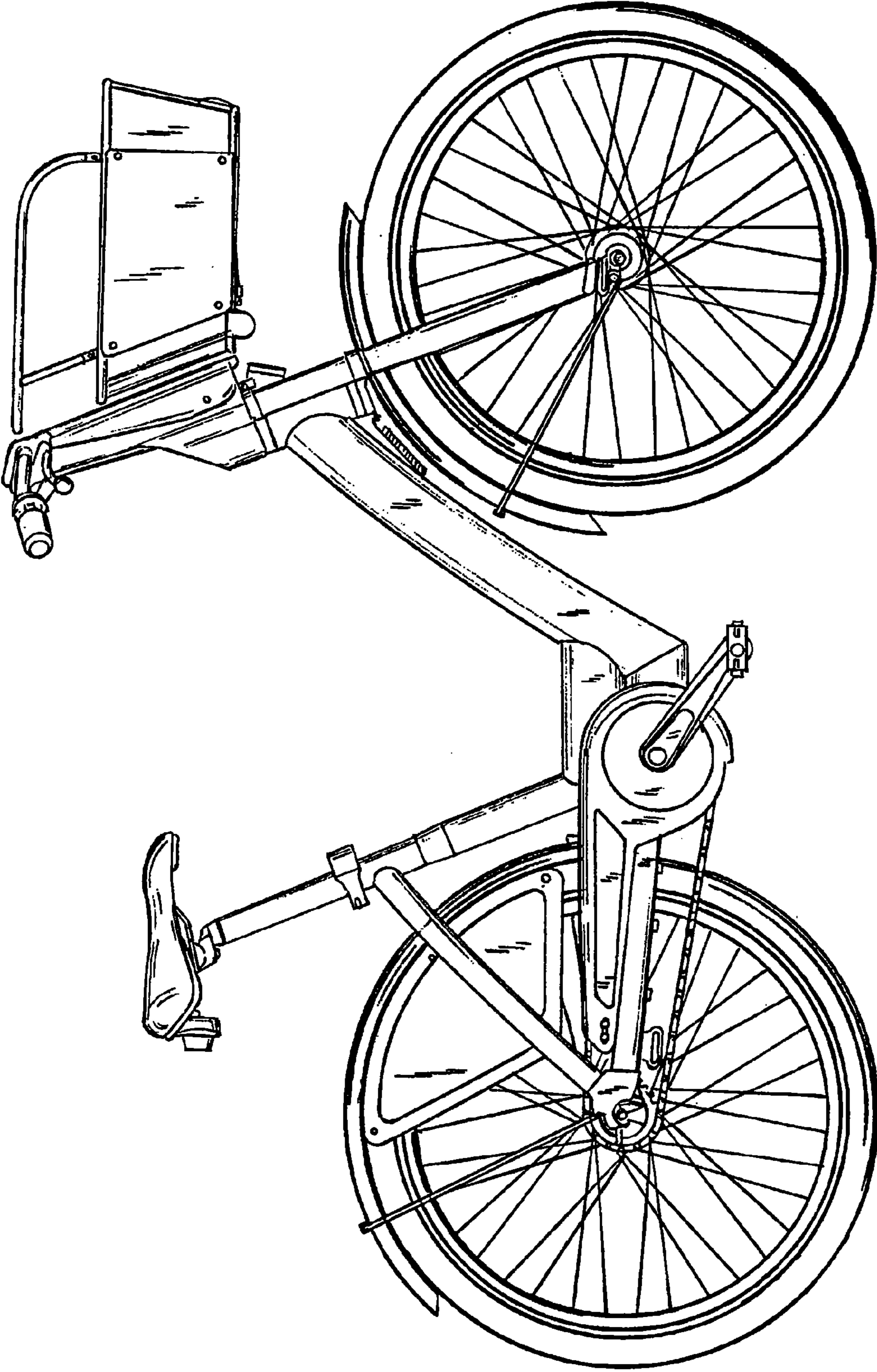


FIG. 1



*Fig. 2*

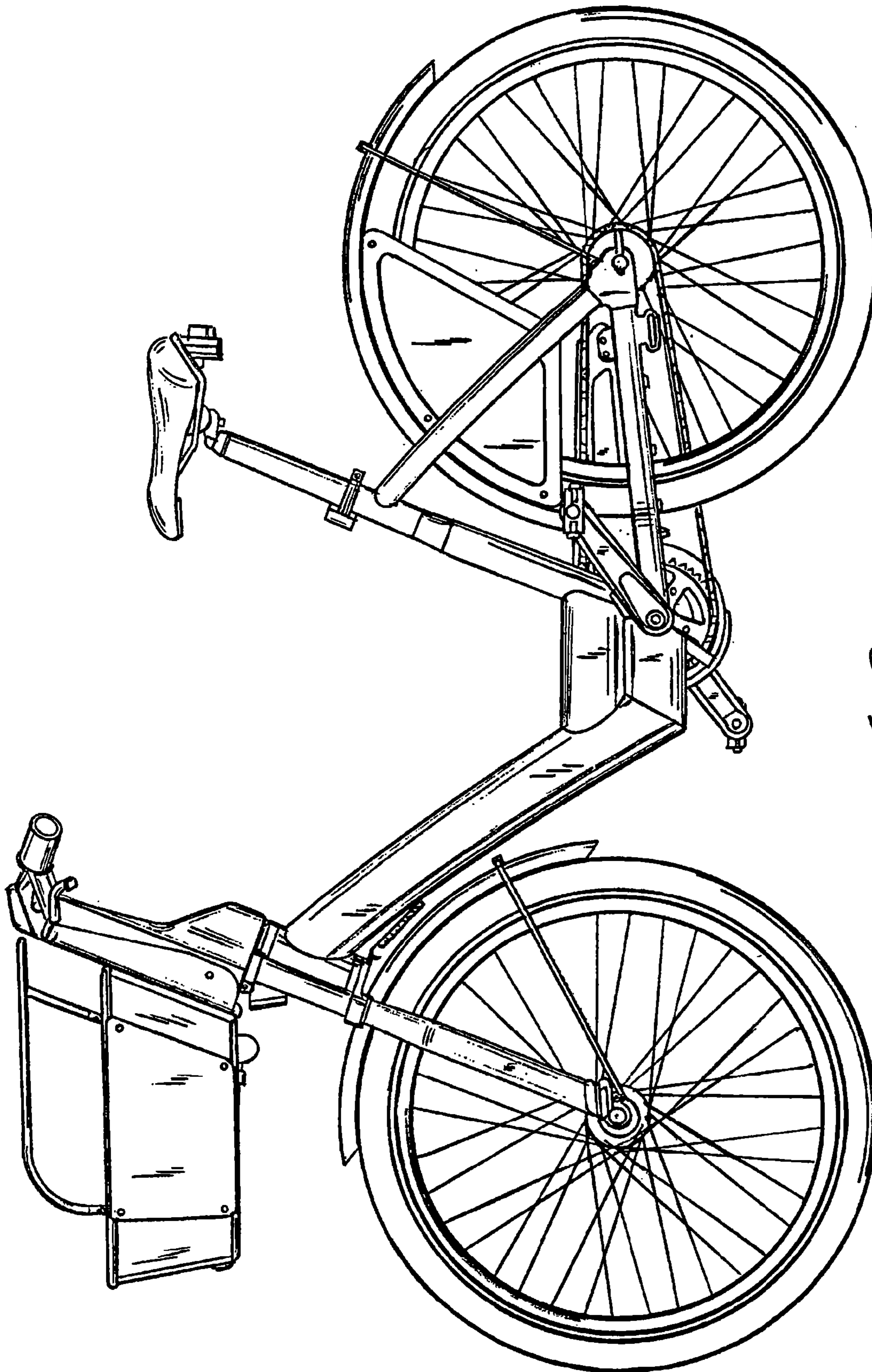


FIG. 3

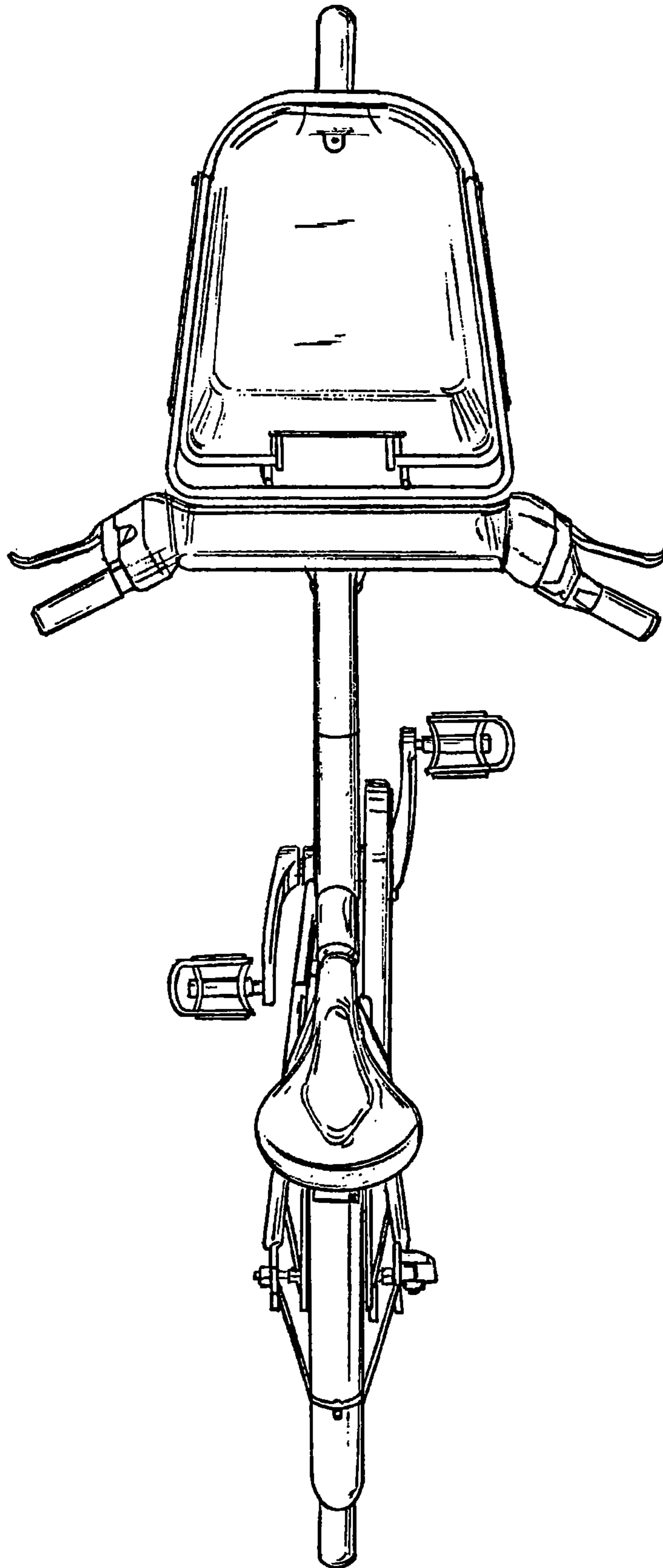


FIG. 4

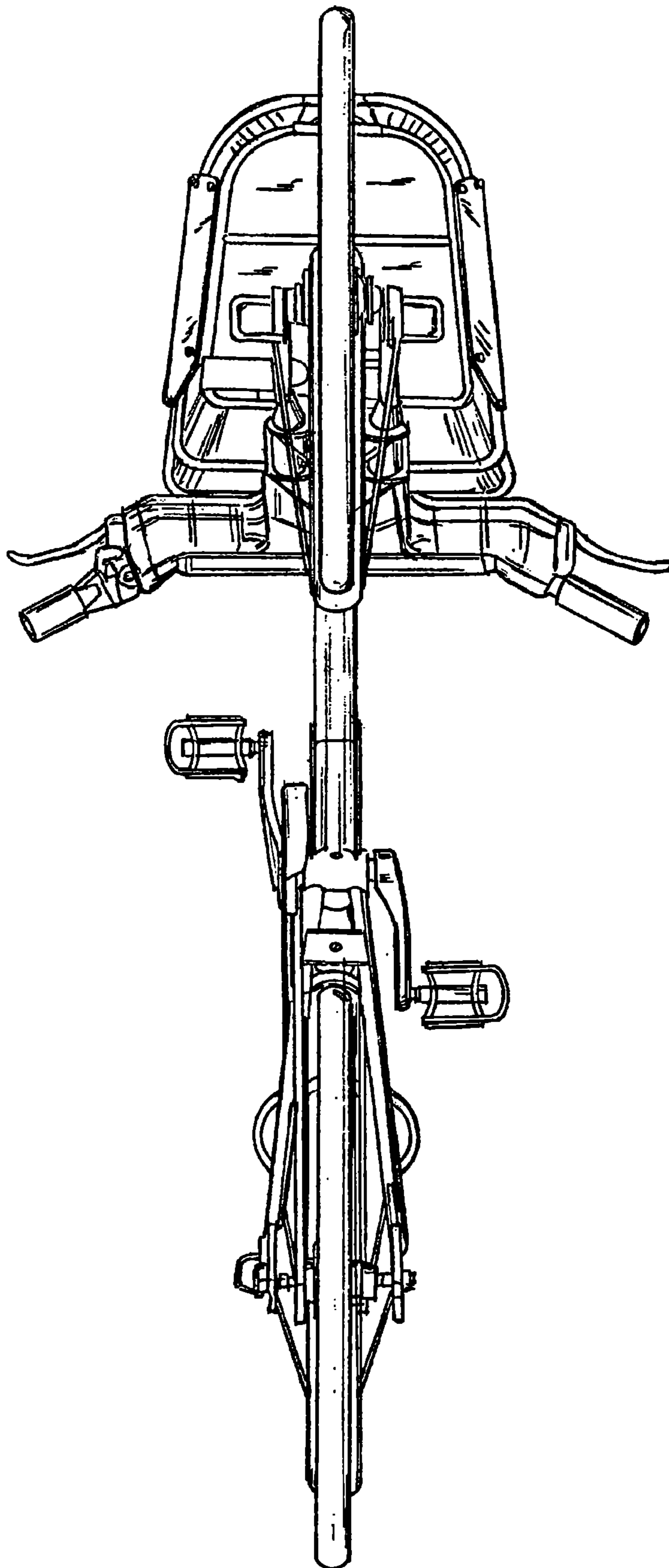


FIG. 5

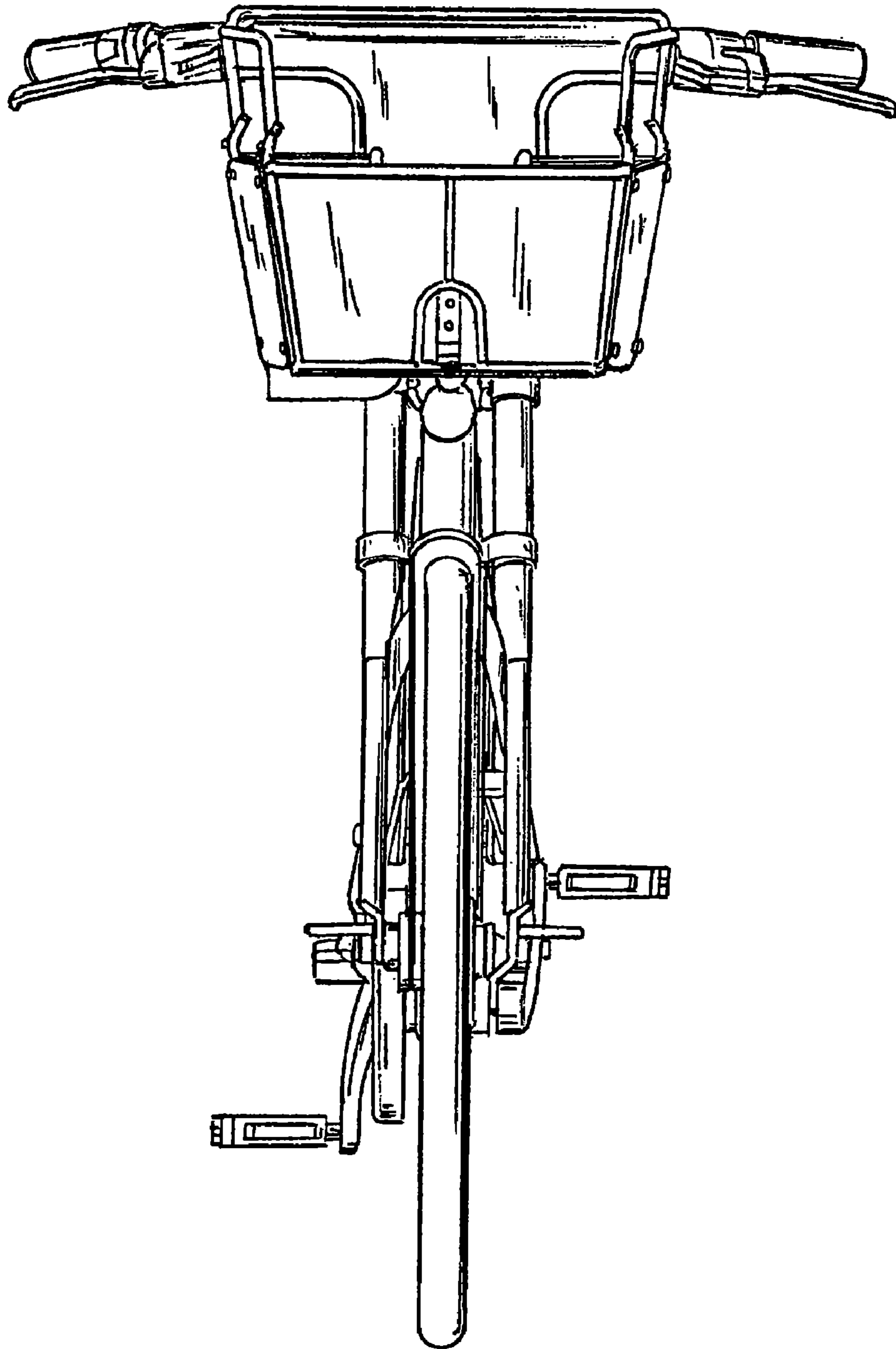


FIG. 6



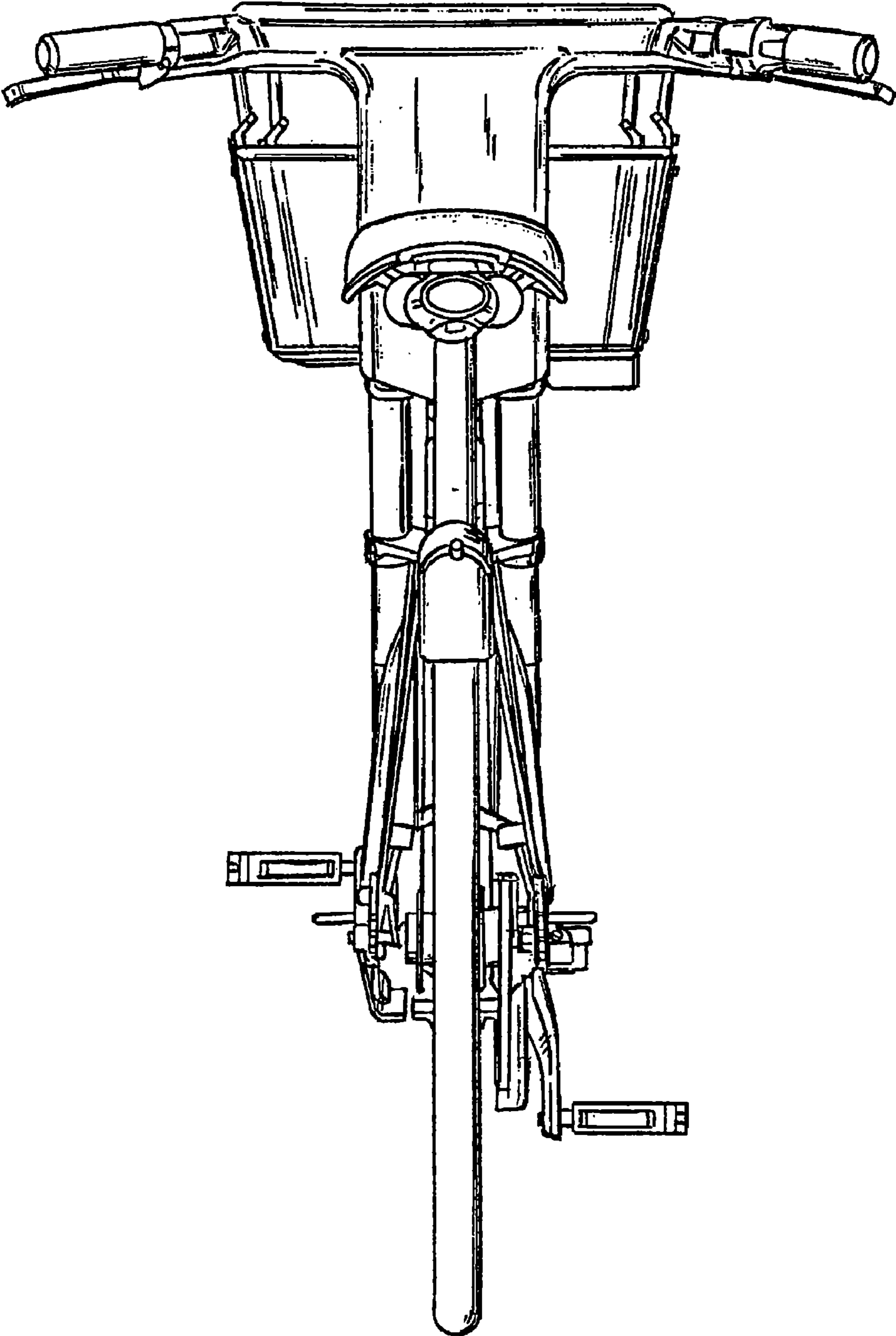


FIG. 7