



US00D625227S

(12) **United States Design Patent**
Smith

(10) **Patent No.:** **US D625,227 S**

(45) **Date of Patent:** **** Oct. 12, 2010**

(54) **ROCKET TRAIN**

(76) Inventor: **Albert Lee Smith**, 412 E. 4th St./P.O.
Box 75, Eloy, AZ (US) 85131

(**) Term: **14 Years**

(21) Appl. No.: **29/349,469**

(22) Filed: **Apr. 5, 2010**

(51) **LOC (9) Cl.** **12-03**

(52) **U.S. Cl.** **D12/39**

(58) **Field of Classification Search** D12/36,
D12/37, 38, 39, 40, 41, 42, 43, 46, 52; 104/281,
104/118, 106, 89, 287, 94, 141-148, 329.1,
104/154, 119-121, 289; D10/40; D21/814,
D21/848, 833

See application file for complete search history.

(56) **References Cited**

U.S. PATENT DOCUMENTS

D109,538 S *	5/1938	Stevens	D12/40
D141,529 S *	6/1945	Walker	D12/38
D164,920 S *	10/1951	Girardy	D12/40
D175,793 S *	10/1955	Northrop et al.	D12/37
3,412,689 A *	11/1968	Hawes	104/118
D329,028 S *	9/1992	Malewicki	D12/37

D499,047 S *	11/2004	Meissner	D12/37
D514,982 S *	2/2006	Meissner	D12/37
D577,313 S *	9/2008	Graf et al.	D12/38
D592,999 S *	5/2009	Chomiak	D12/36
D596,988 S *	7/2009	Chomiak	D12/36

* cited by examiner

Primary Examiner—T. Chase Nelson
Assistant Examiner—Ania K Dworzecka

(57) **CLAIM**

The ornamental design for a rocket train, as shown and described.

DESCRIPTION

FIG. 1 is a perspective view of a rocket train showing my new design

FIG. 2 is a right side elevation view; opposite side view is a mirror image;

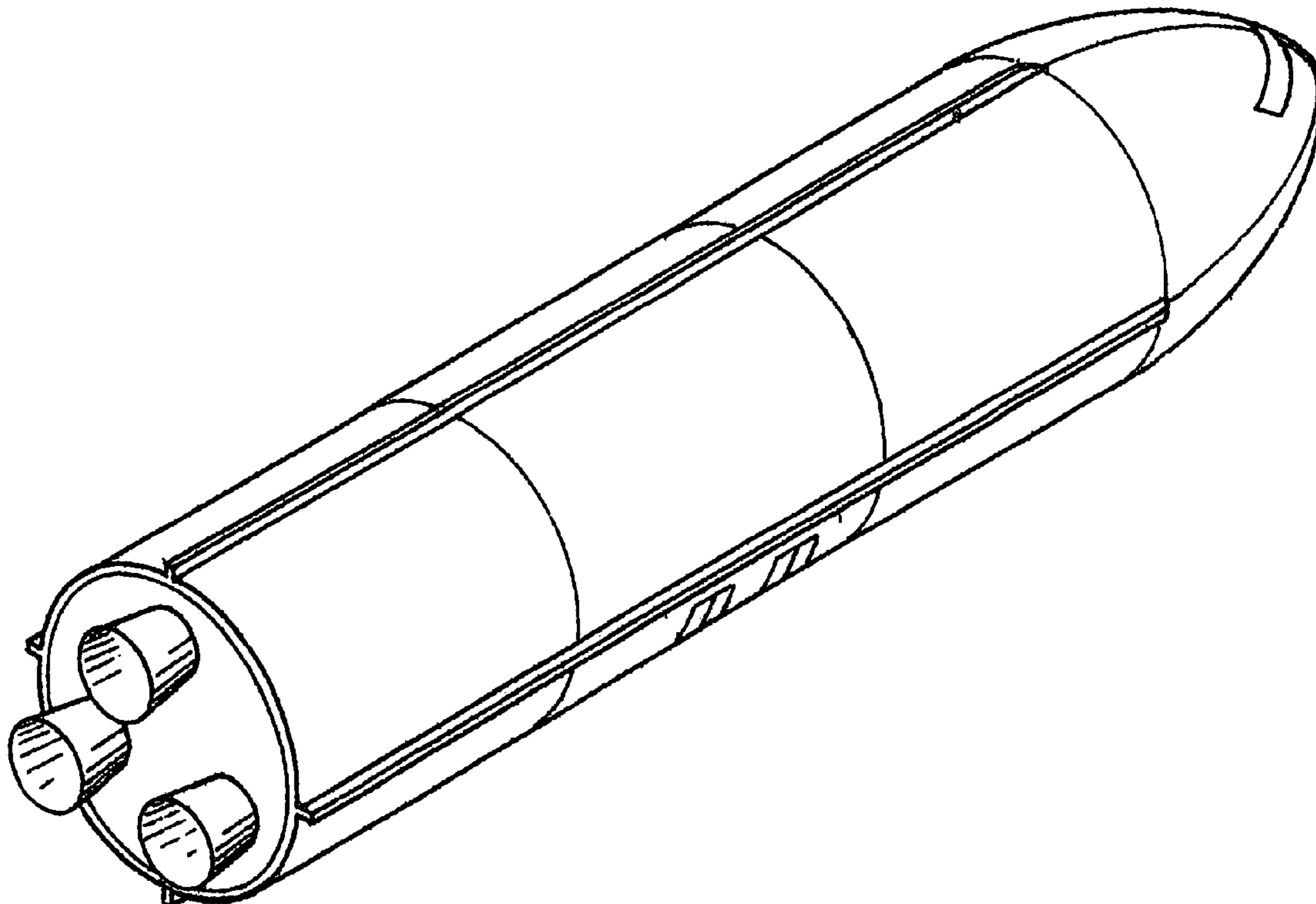
FIG. 3 is a top plan view;

FIG. 4 is a bottom plan view; and,

FIG. 5 is a front elevation view.

Rocket train in the shape of a 45 Caliber Bullet.

1 Claim, 3 Drawing Sheets



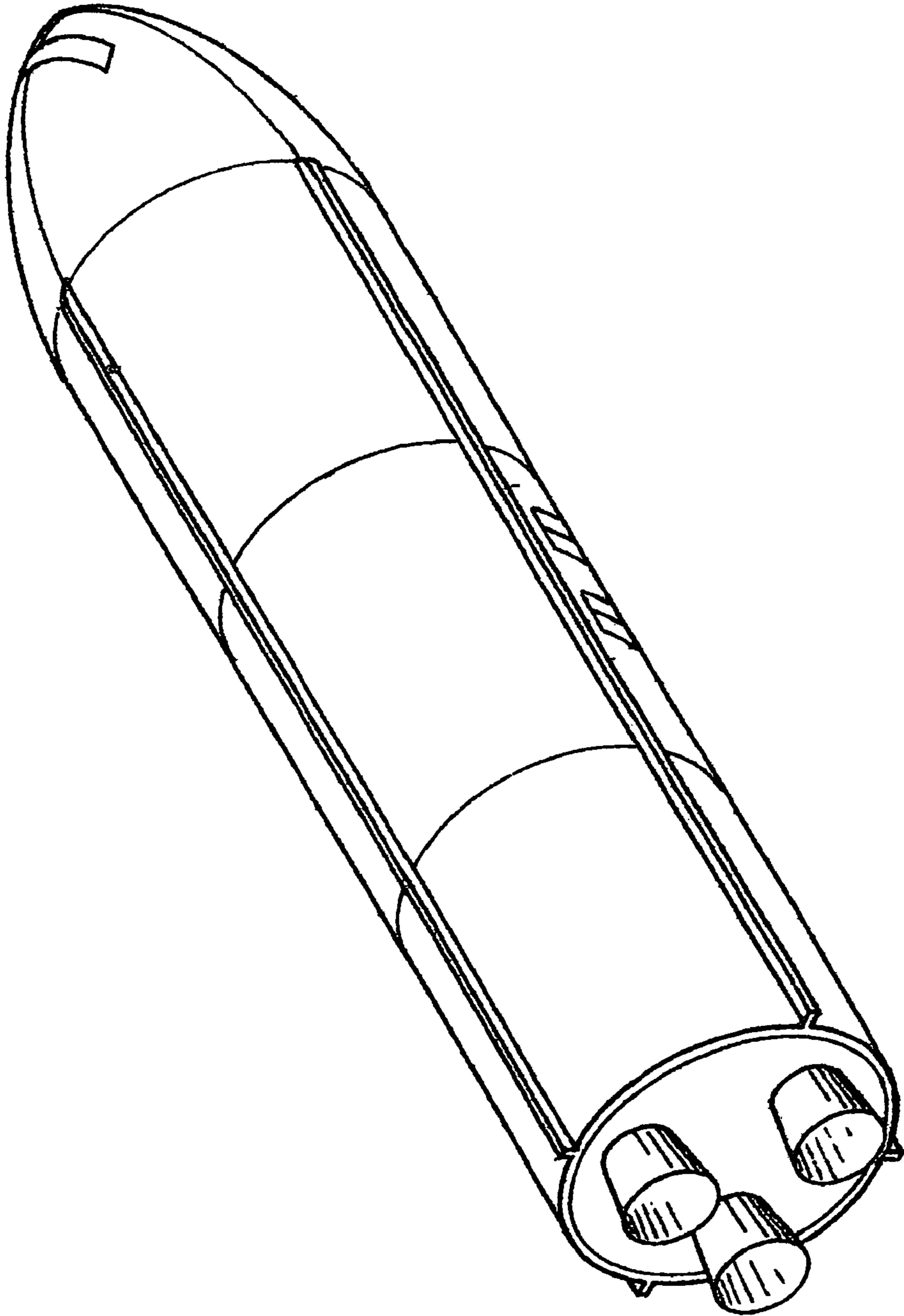


FIG. 1

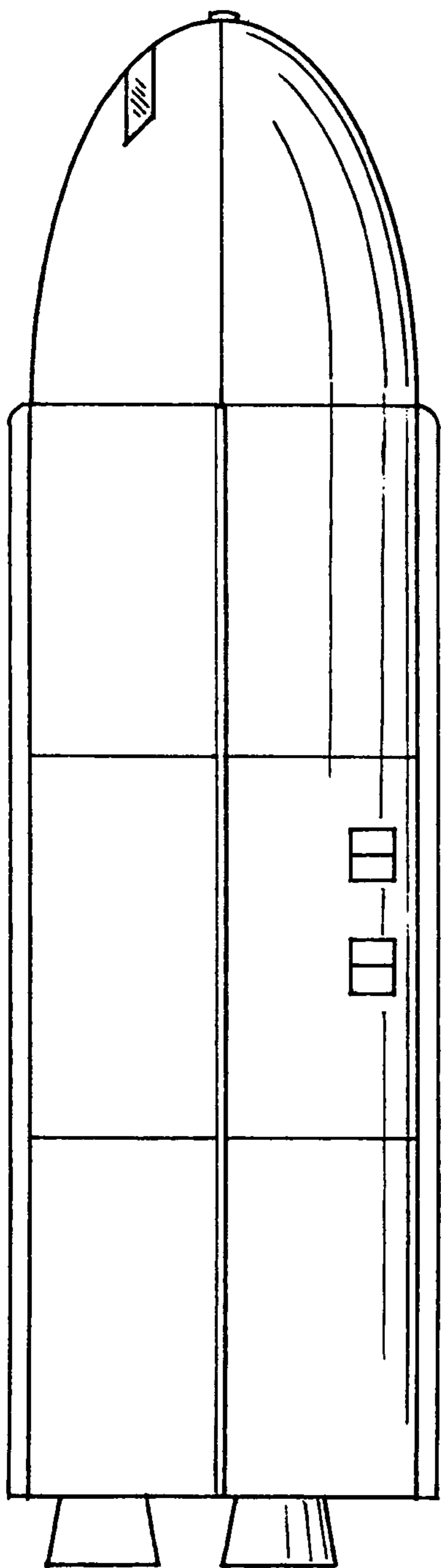


FIG. 2

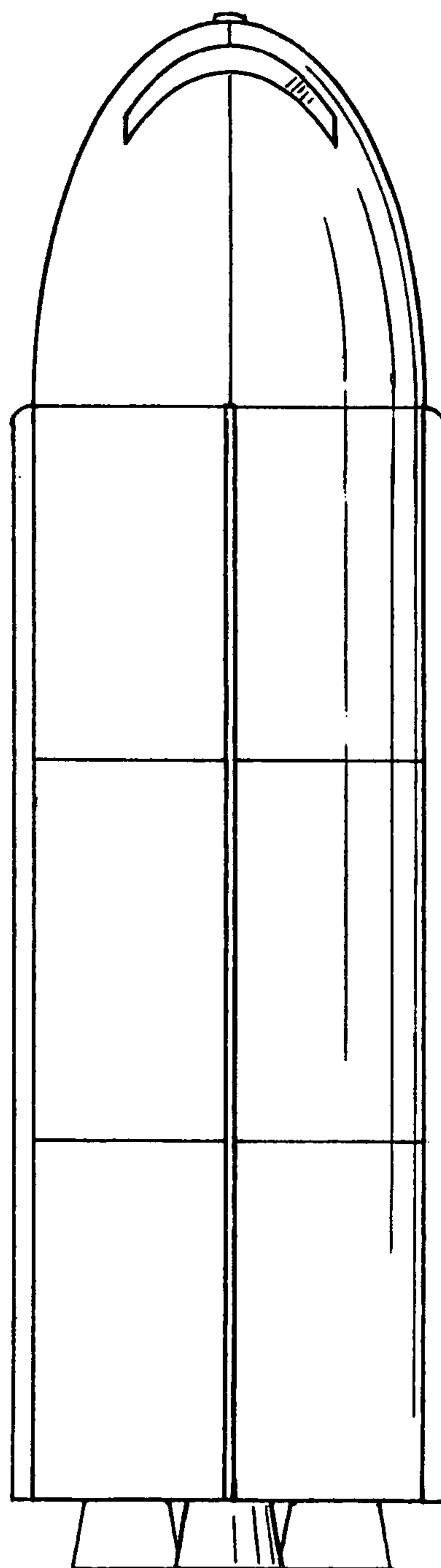


FIG. 3

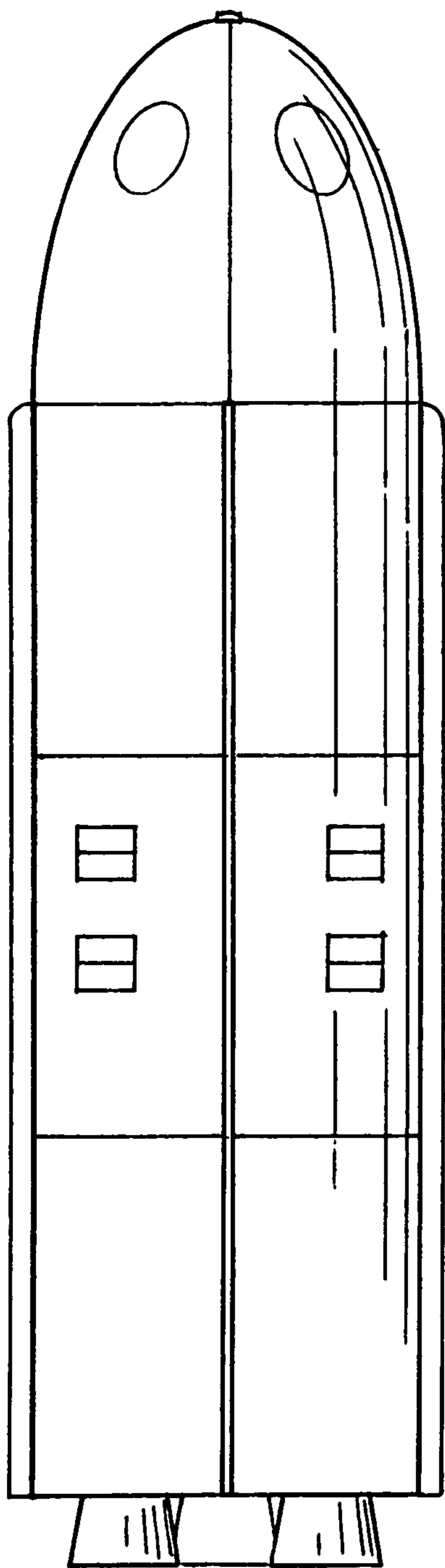


FIG. 4

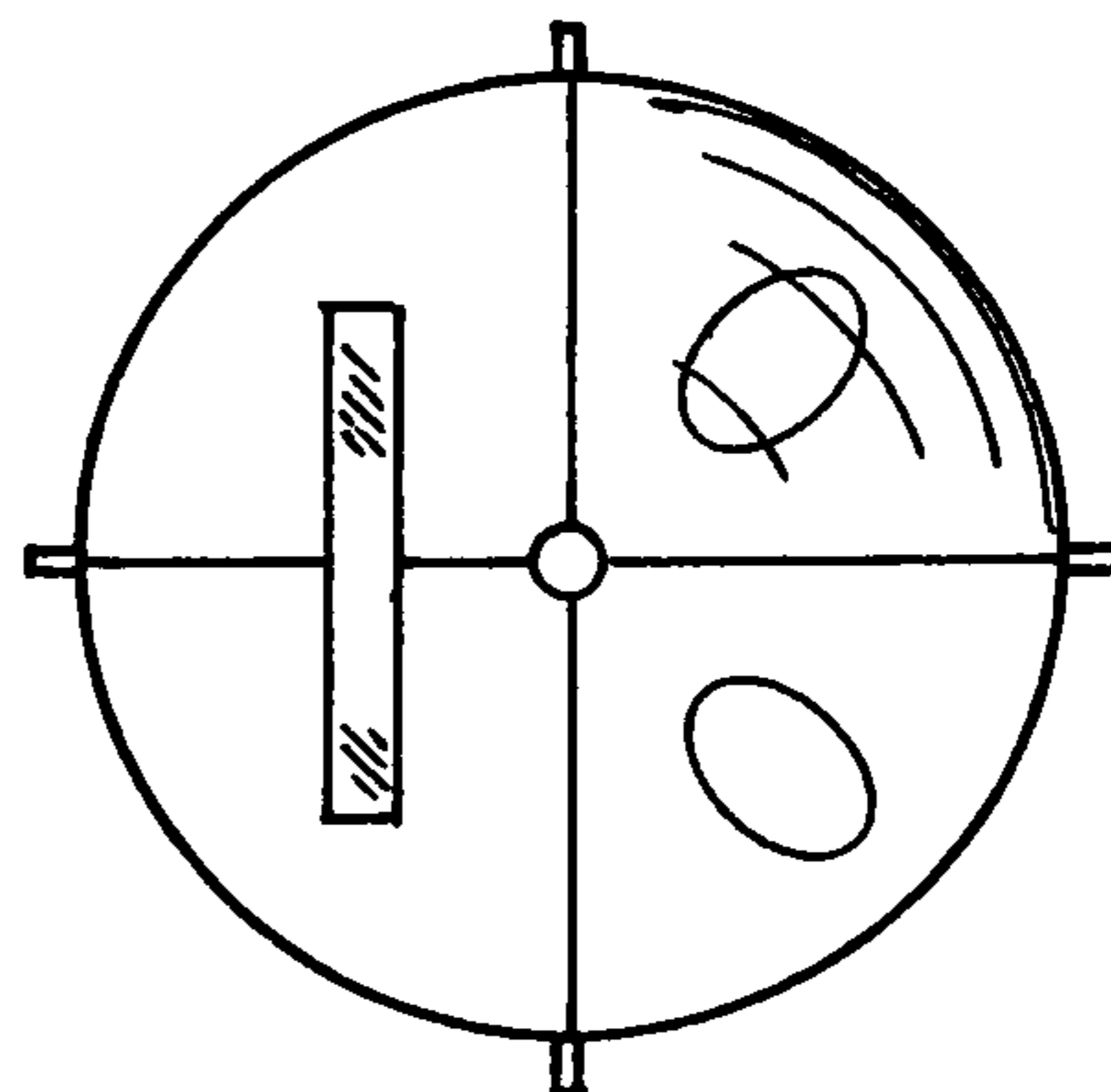


FIG. 5