



US00D625226S

(12) **United States Design Patent**
Pontaoe

(10) **Patent No.:** **US D625,226 S**

(45) **Date of Patent:** **** Oct. 12, 2010**

(54) **SIDE RELEASE BUCKLE**

(75) Inventor: **John S. Pontaoe**, Chicago, IL (US)

(73) Assignee: **Illinois Tool Works Inc.**, Glenview, IL (US)

(**) Term: **14 Years**

(21) Appl. No.: **29/358,728**

(22) Filed: **Mar. 31, 2010**

(51) **LOC (9) Cl.** **02-07**

(52) **U.S. Cl.** **D11/216**

(58) **Field of Classification Search** D11/1-2,
D11/200-201, 206-210, 214-218; 24/163 R,
24/169-171, 173, 177-179, 191, 194-195,
24/197, 200

See application file for complete search history.

(56) **References Cited**

U.S. PATENT DOCUMENTS

D471,486 S	3/2003	Uehara et al.	
D484,070 S	12/2003	Buscart	
7,020,939 B2	4/2006	Anscher	
D519,878 S	5/2006	Anscher	
D524,693 S	7/2006	Uehara	
D533,808 S	12/2006	Anscher	
D535,915 S *	1/2007	Yang	D11/216
D543,897 S	6/2007	Anscher	
7,320,160 B2	1/2008	Uehara et al.	

D563,268 S	3/2008	Buscart	
D566,003 S	4/2008	Anscher	
D567,711 S	4/2008	Yoshie et al.	
D575,672 S *	8/2008	Yoshiguchi	D11/216
D576,518 S *	9/2008	Yoshiguchi	D11/216
D576,519 S *	9/2008	Uehara	D11/216
D597,441 S *	8/2009	Uehara	D11/216

* cited by examiner

Primary Examiner—Ralf Seifert

(74) *Attorney, Agent, or Firm*—Mark W. Croll; Paul F. Donovan

(57) **CLAIM**

The ornamental design for a side release buckle, as shown and described.

DESCRIPTION

FIG. 1 is a perspective view of my invention showing the new design;

FIG. 2 is an exploded perspective view thereof;

FIG. 3 is a top view thereof;

FIG. 4 is a bottom view thereof;

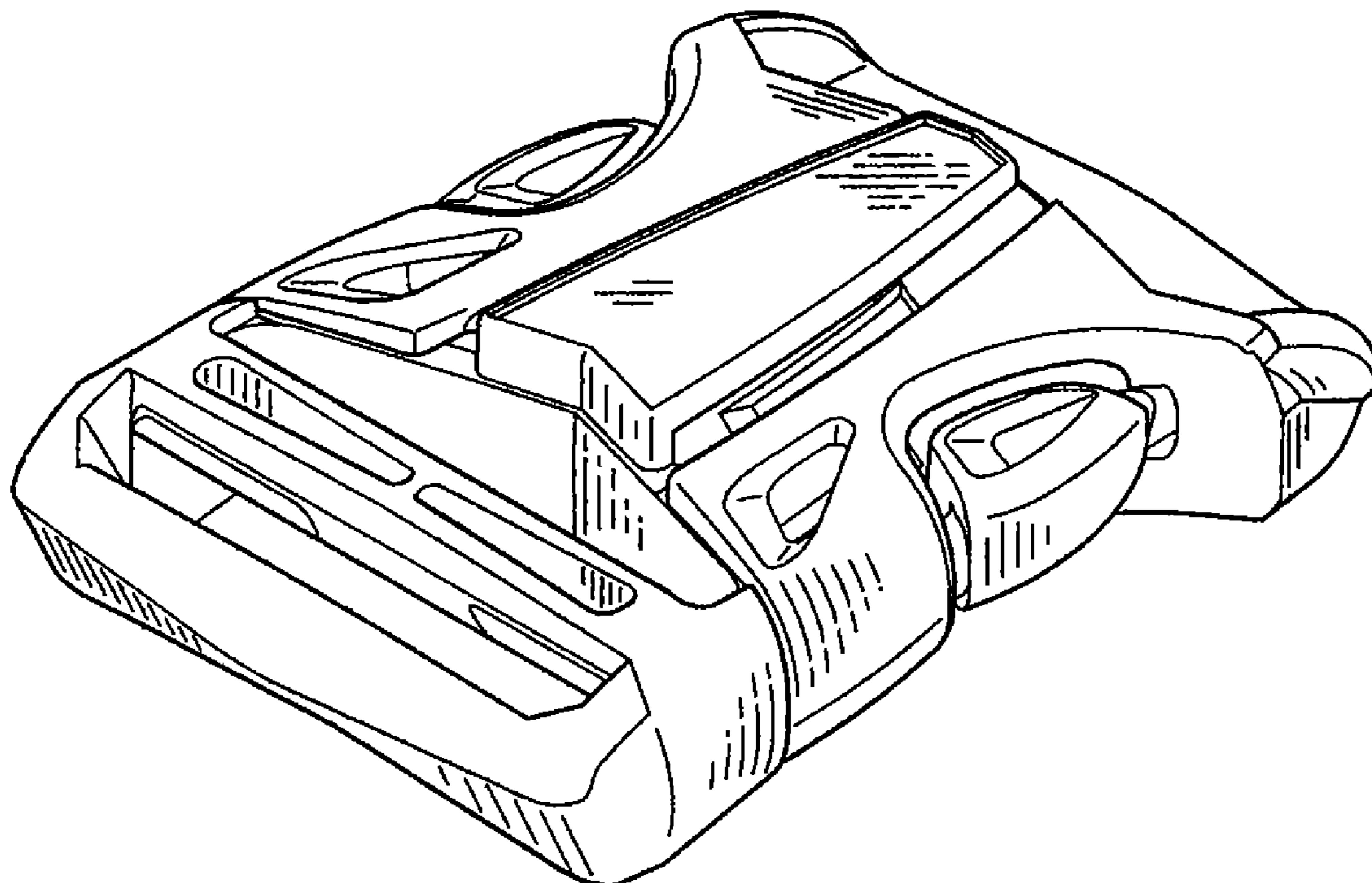
FIG. 5 is an end view thereof;

FIG. 6 is an opposite end view thereof;

FIG. 7 is a right side view thereof; and,

FIG. 8 is a left side view thereof.

1 Claim, 4 Drawing Sheets



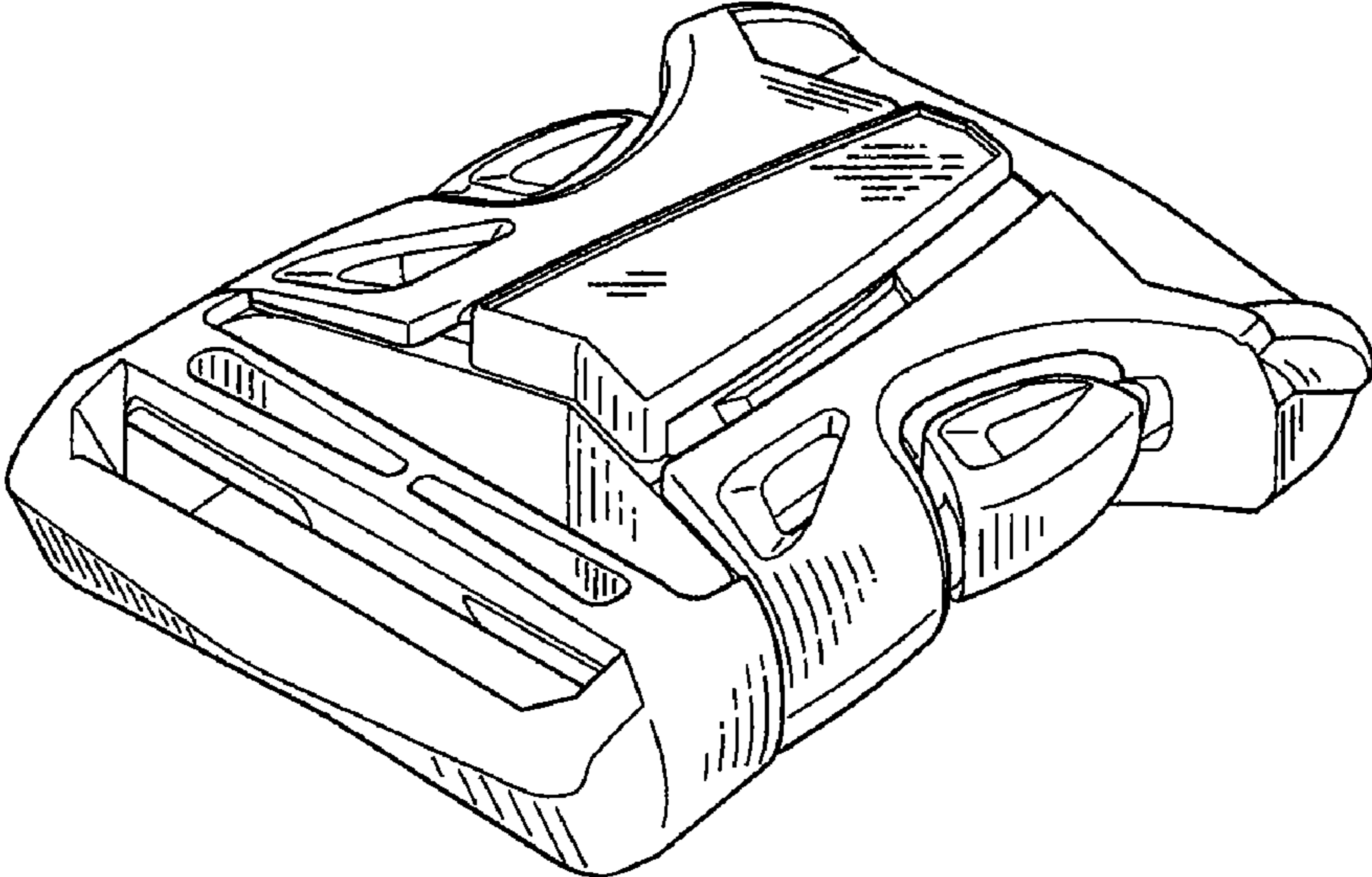


FIG. 1

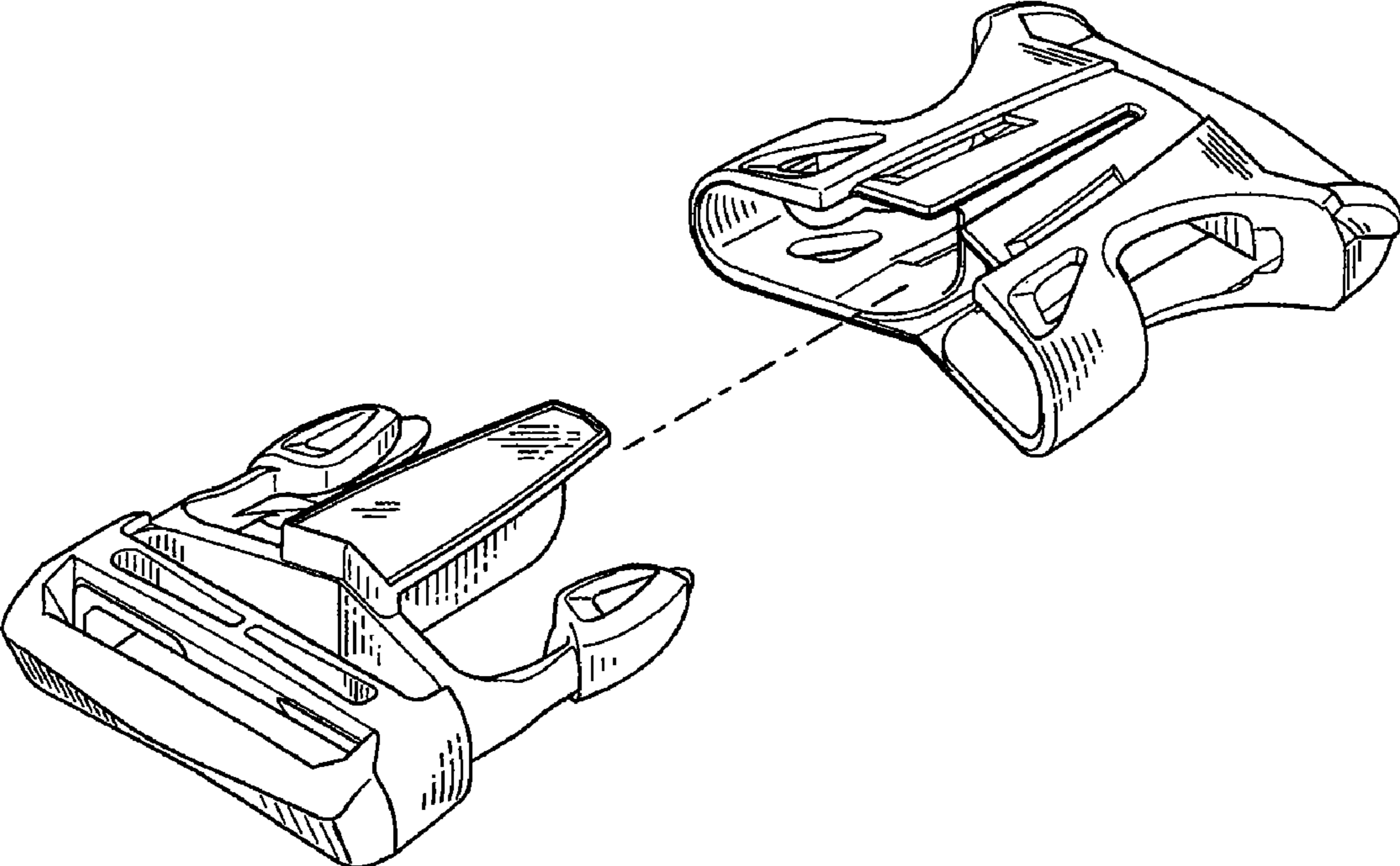


FIG. 2

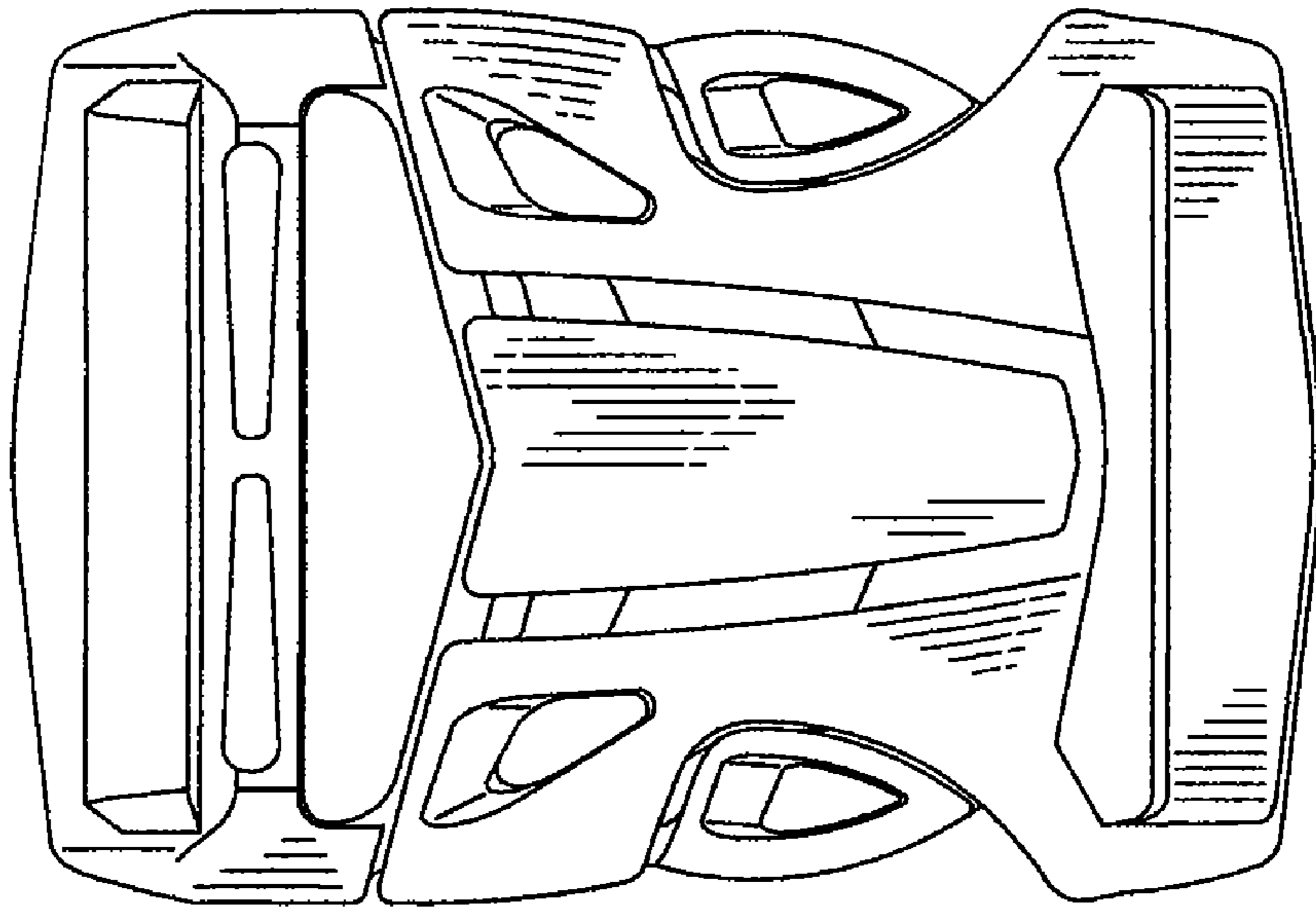


FIG. 3

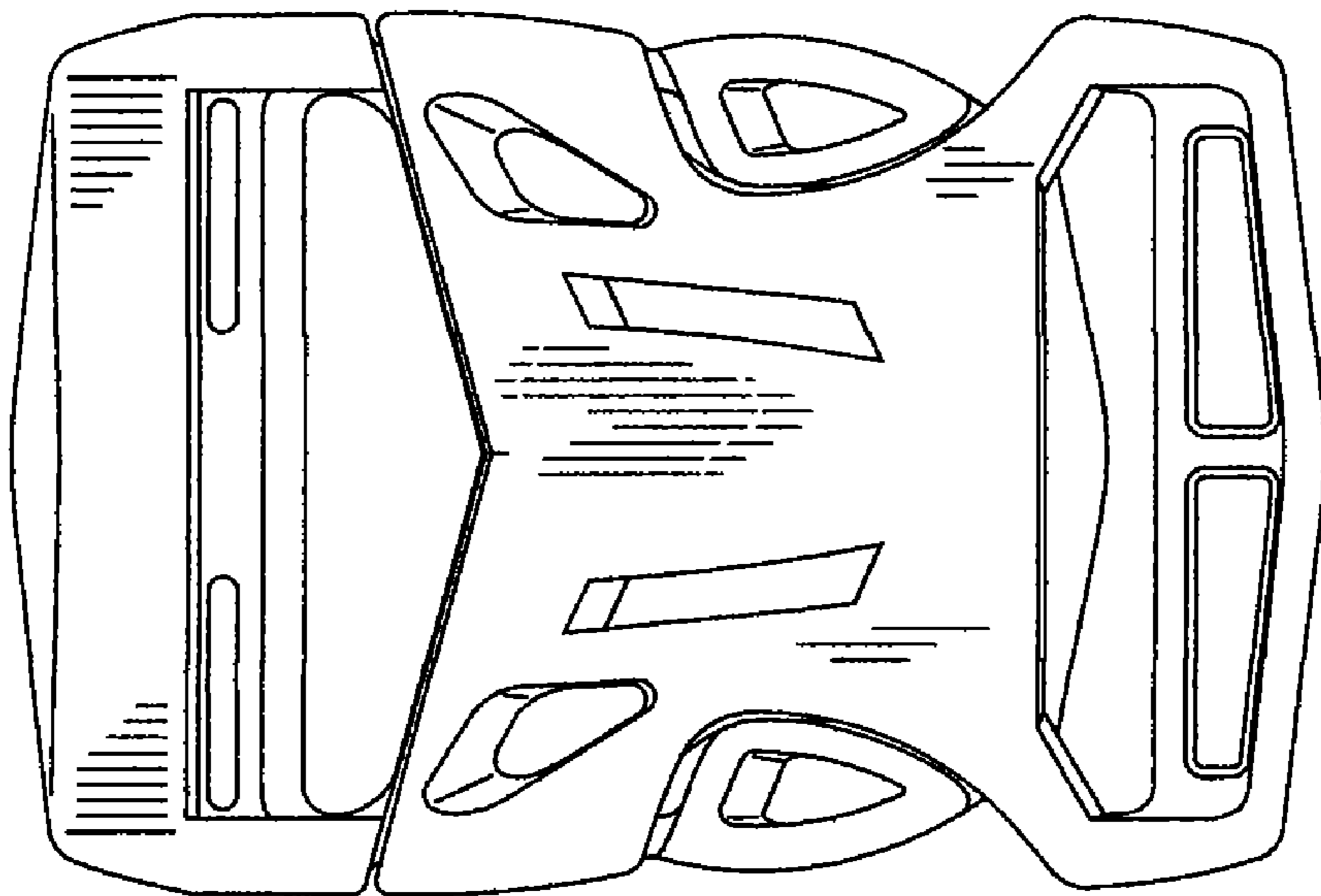


FIG. 4

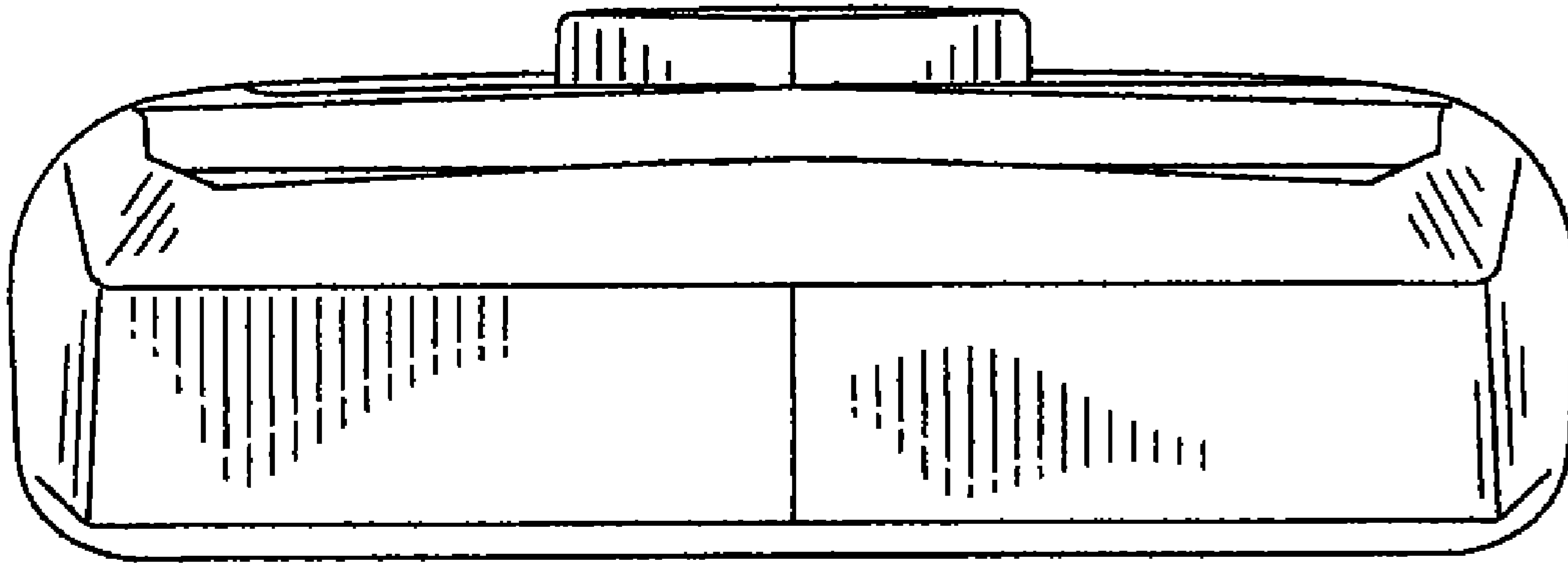


FIG. 5

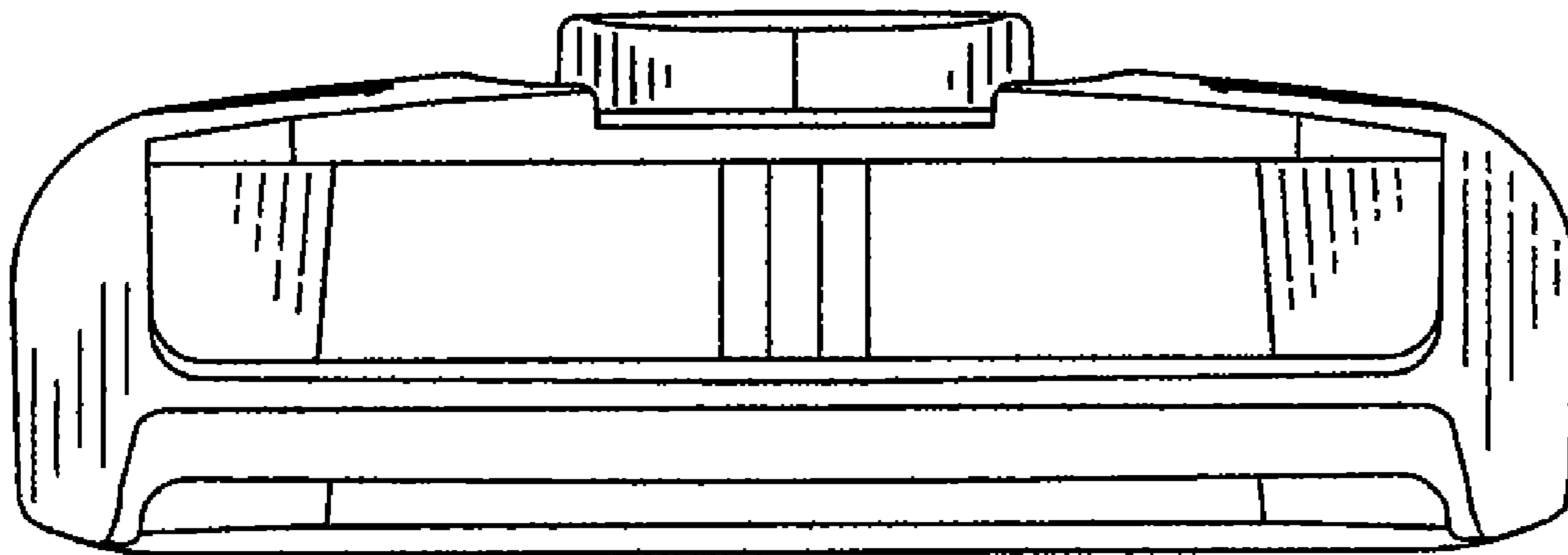


FIG. 6

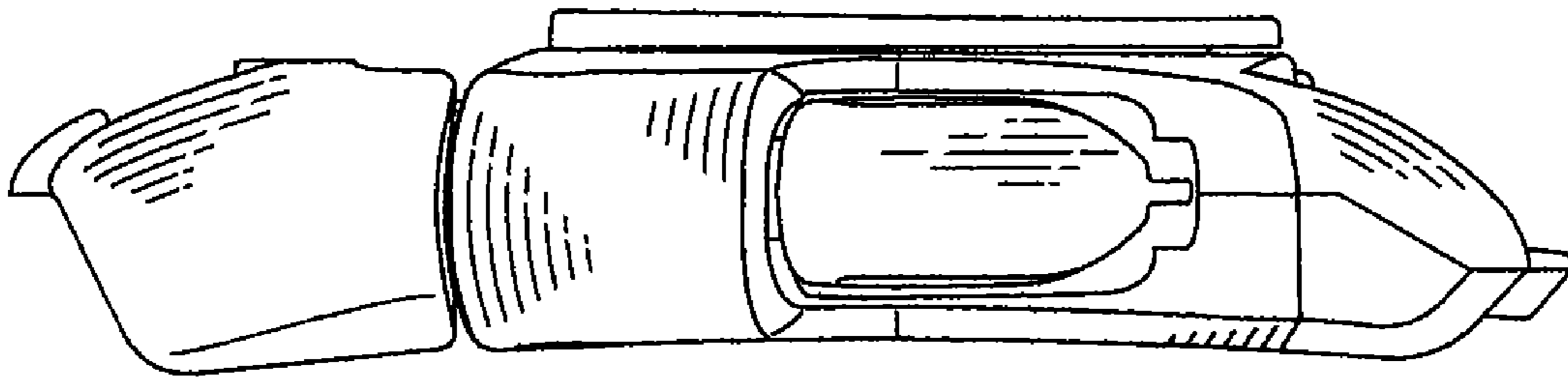


FIG. 7

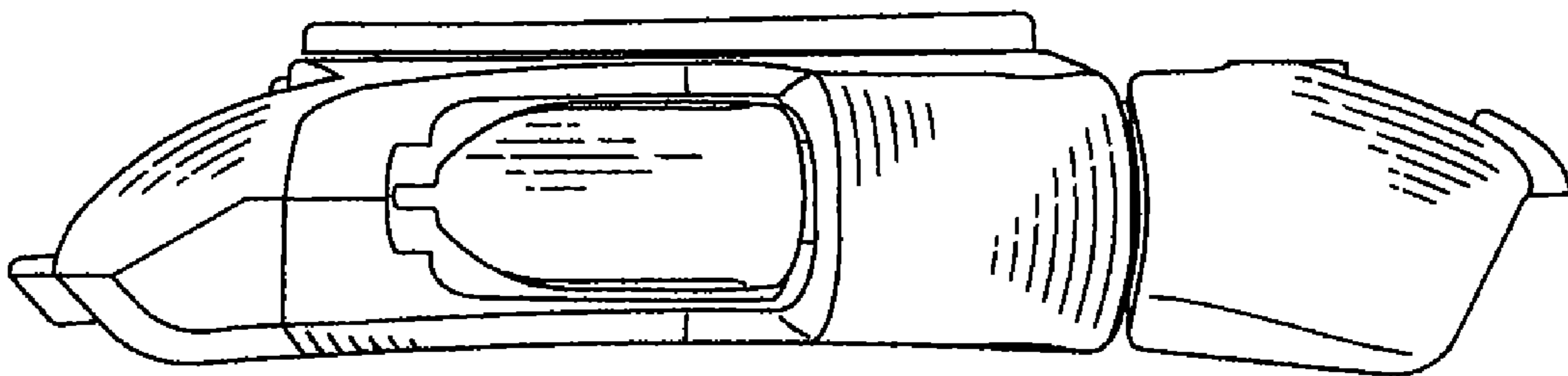


FIG. 8