



US00D625216S

(12) **United States Design Patent**
Morgan

(10) **Patent No.:** **US D625,216 S**
(45) **Date of Patent:** **** Oct. 12, 2010**

(54) **RING WITH COMPARTMENT AND LID**

(75) Inventor: **Georgia Morgan**, Byron Bay (AU)

(73) Assignee: **Pty Investments Pty Ltd.**, Byron Bay (AU)

(**) Term: **14 Years**

(21) Appl. No.: **29/356,797**

(22) Filed: **Mar. 2, 2010**

(30) **Foreign Application Priority Data**

Sep. 30, 2009 (AU) 13754/2009

(51) **LOC (9) Cl.** **11-02**

(52) **U.S. Cl.** **D11/26**

(58) **Field of Classification Search** D11/26-39,
D11/89-91; 63/15, 15.1-15.4, 15.45, 15.5,
63/15.6, 15.65, 15.7, 26-27

See application file for complete search history.

(56) **References Cited**

U.S. PATENT DOCUMENTS

D66,901	S	*	3/1925	Sudarov	D10/31
1,607,985	A	*	11/1926	Johnson	224/221
1,752,719	A	*	4/1930	Bond	63/19
1,823,814	A	*	9/1931	Aiello	132/301
D85,403	S	*	10/1931	Swanson	D28/78
1,861,644	A	*	6/1932	Roberts	63/1.13
D152,486	S	*	1/1949	Lorillard	D11/38
2,473,226	A	*	6/1949	Sheldon	224/219
D159,495	S	*	8/1950	Linden	D11/2
3,006,350	A	*	10/1961	Grunfeld	132/297
D404,334	S	*	1/1999	Welsh	D11/26
D427,379	S	*	6/2000	Thorpe	D11/26
D451,045	S	*	11/2001	Ambar	D11/26

D454,085	S	*	3/2002	Ambar	D11/29
D455,973	S	*	4/2002	Ambar	D11/26
D461,426	S	*	8/2002	Ambar	D11/34
6,766,658	B2	*	7/2004	Scharf	63/31
D524,678	S	*	7/2006	Fishman et al.	D11/2
D611,870	S	*	3/2010	Greppi	D11/26

* cited by examiner

Primary Examiner—Cathron C Brooks

Assistant Examiner—Melanie Levy

(74) *Attorney, Agent, or Firm*—Cascio & Zervas

(57) **CLAIM**

The ornamental design for a ring with compartment and lid, as shown and described.

DESCRIPTION

FIG. 1 is a front perspective view of the ring with compartment and lid showing my design with the lid open

FIG. 2 is a front elevation view thereof

FIG. 3 is a side view of the ring with compartment and lid showing my design with the lid partially open

FIG. 4 is a rear view of the ring shown in FIG. 2

FIG. 5 is a side view of the ring with the lid shown open

FIG. 6 is a bottom view of the ring with the lid closed

FIG. 7 is a perspective view of the ring with compartment and lid with the lid shown closed

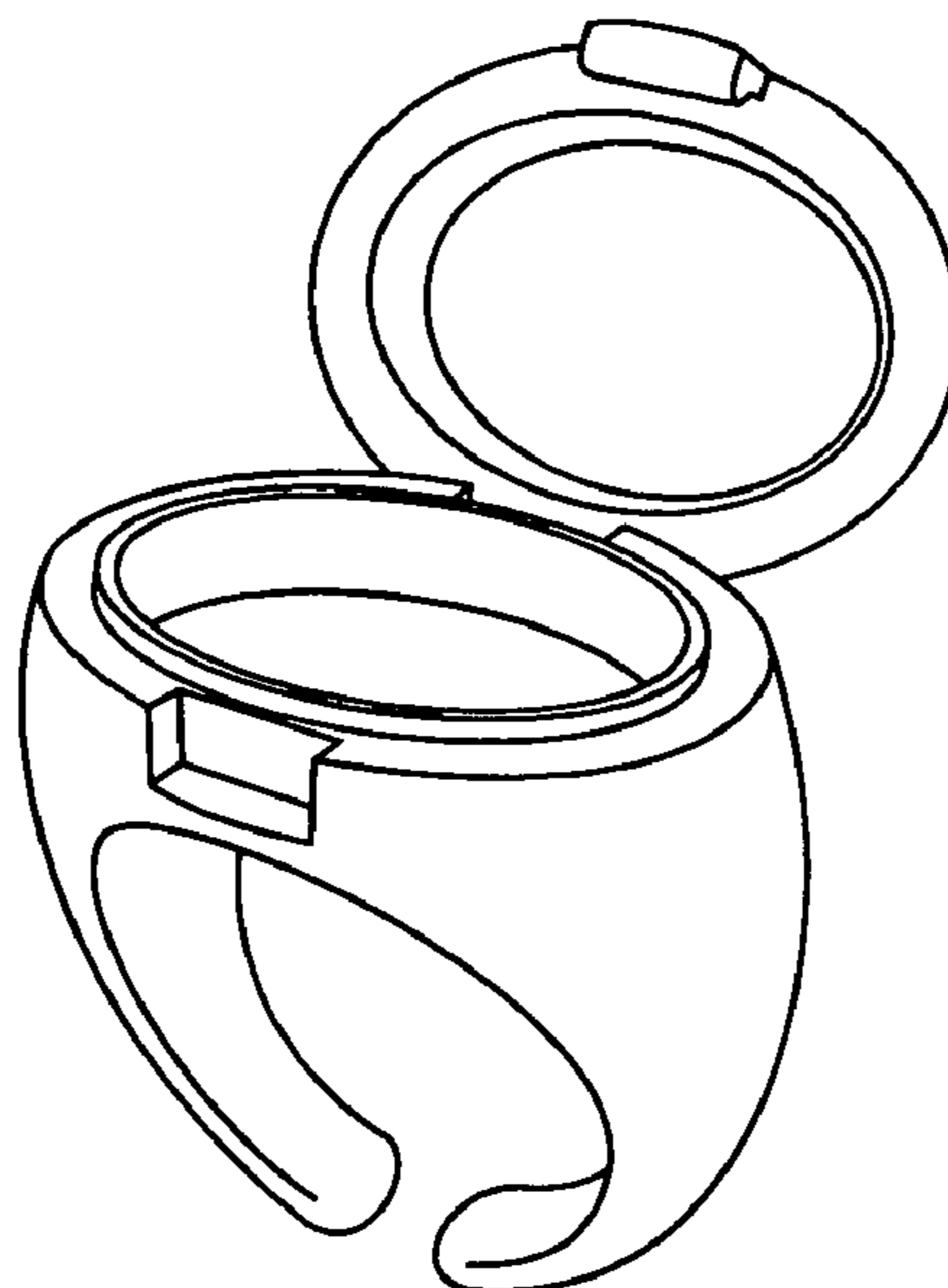
FIG. 8 is a front view of the ring shown in FIG. 7

FIG. 9 is a side view of the ring shown in FIG. 7

FIG. 10 is a rear view of the ring shown in FIG. 7; and,

FIG. 11 is a bottom view of the ring shown in FIG. 7.

1 Claim, 2 Drawing Sheets



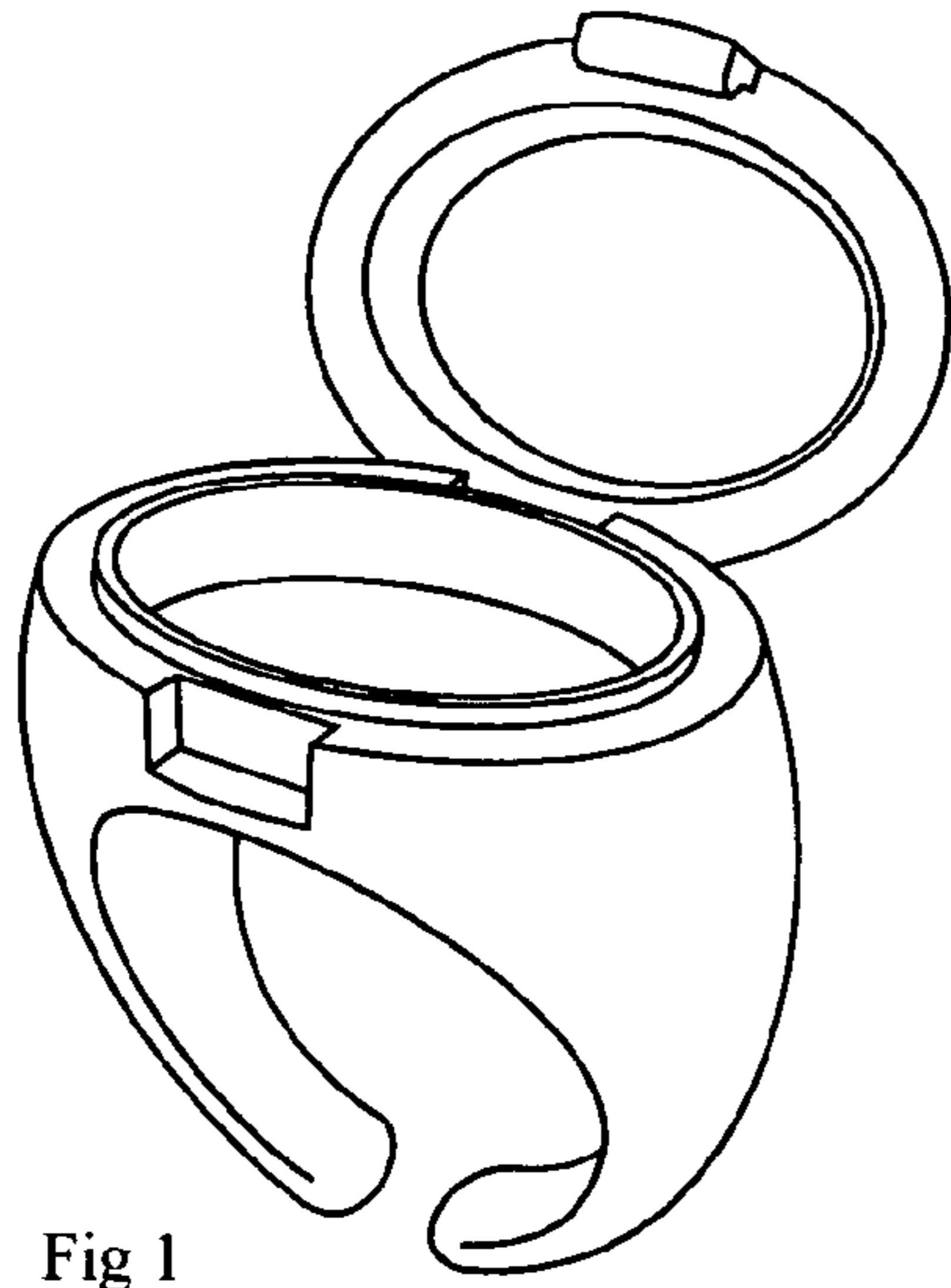


Fig 1

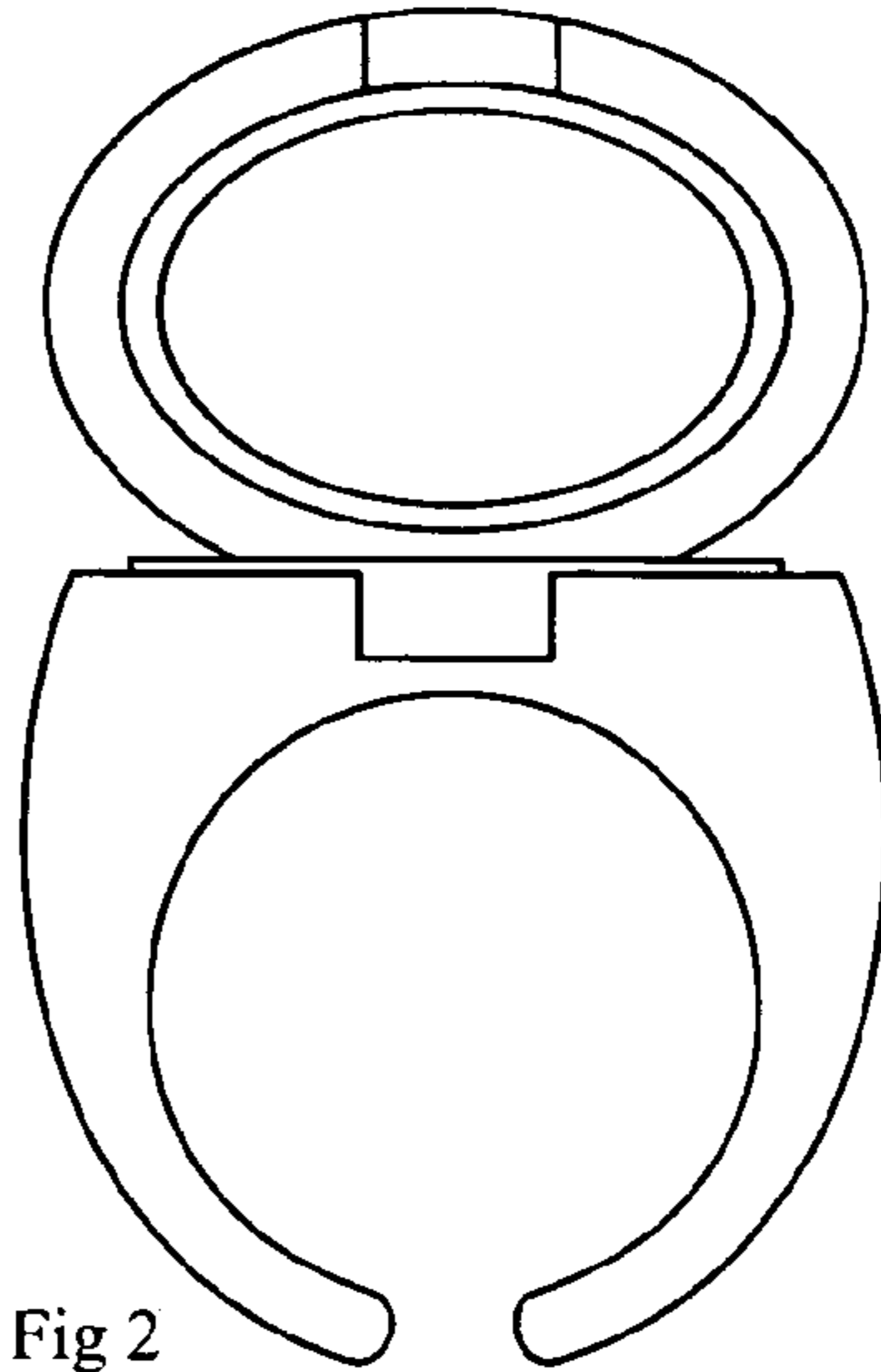


Fig 2

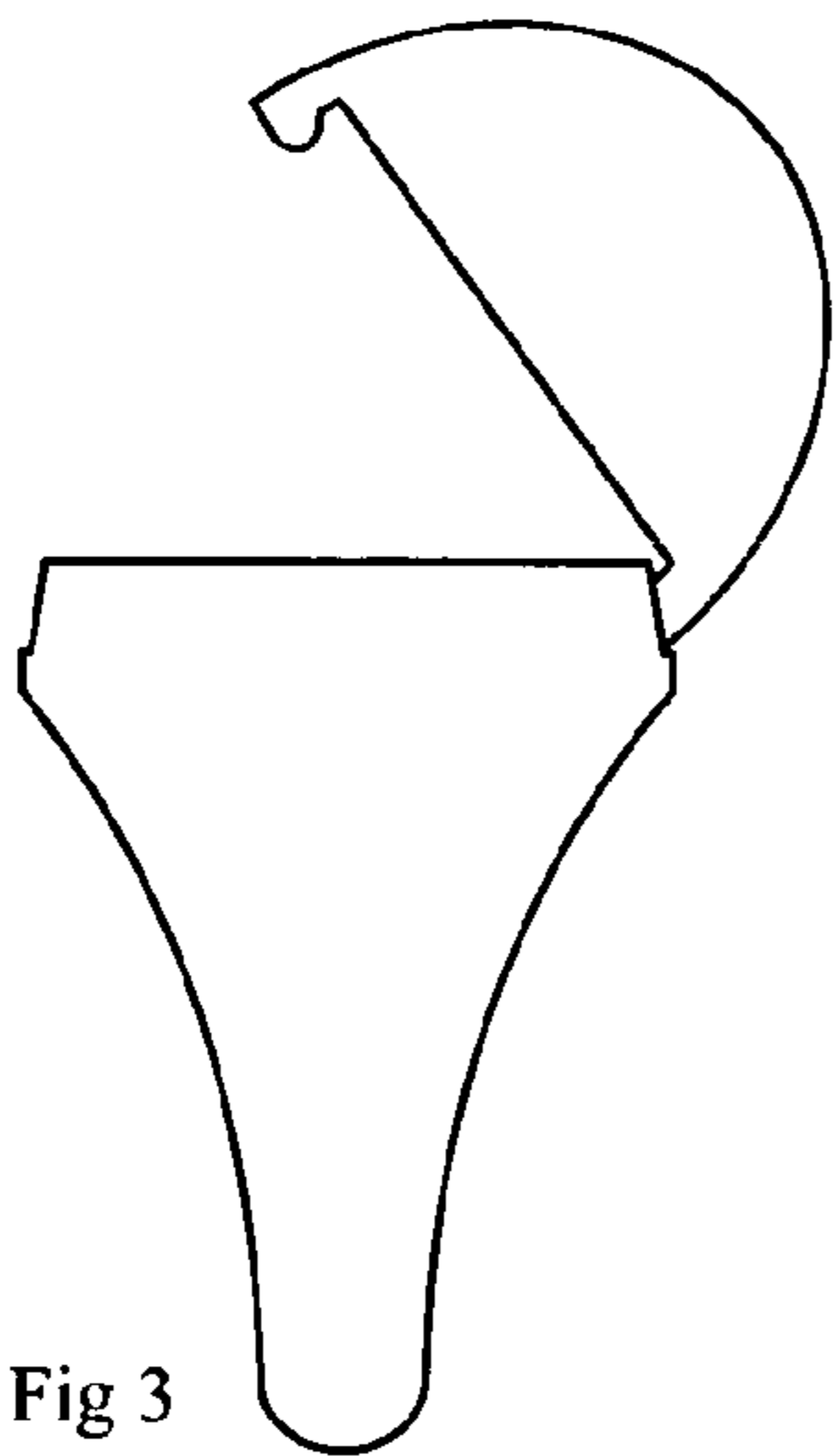


Fig 3

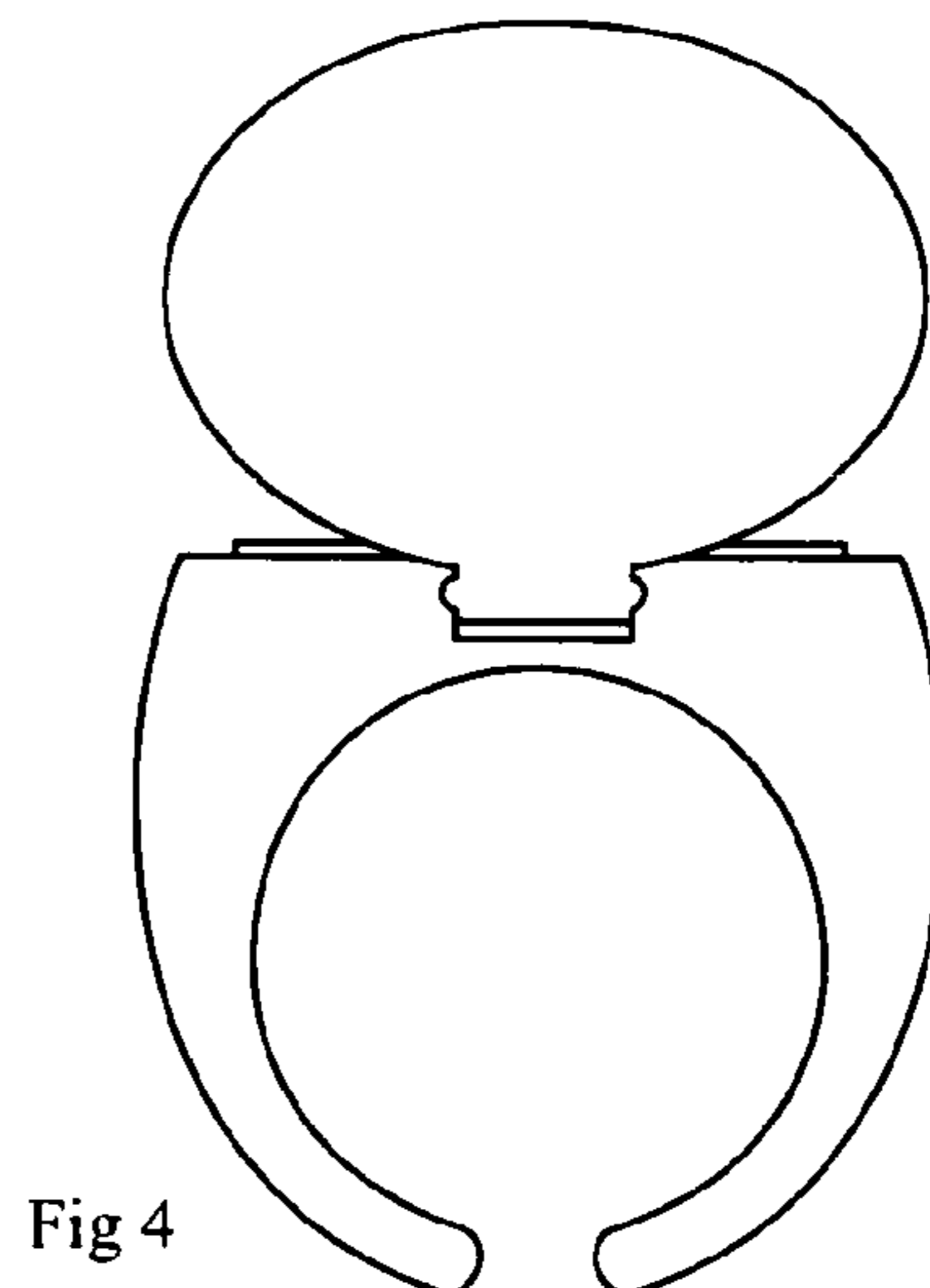


Fig 4

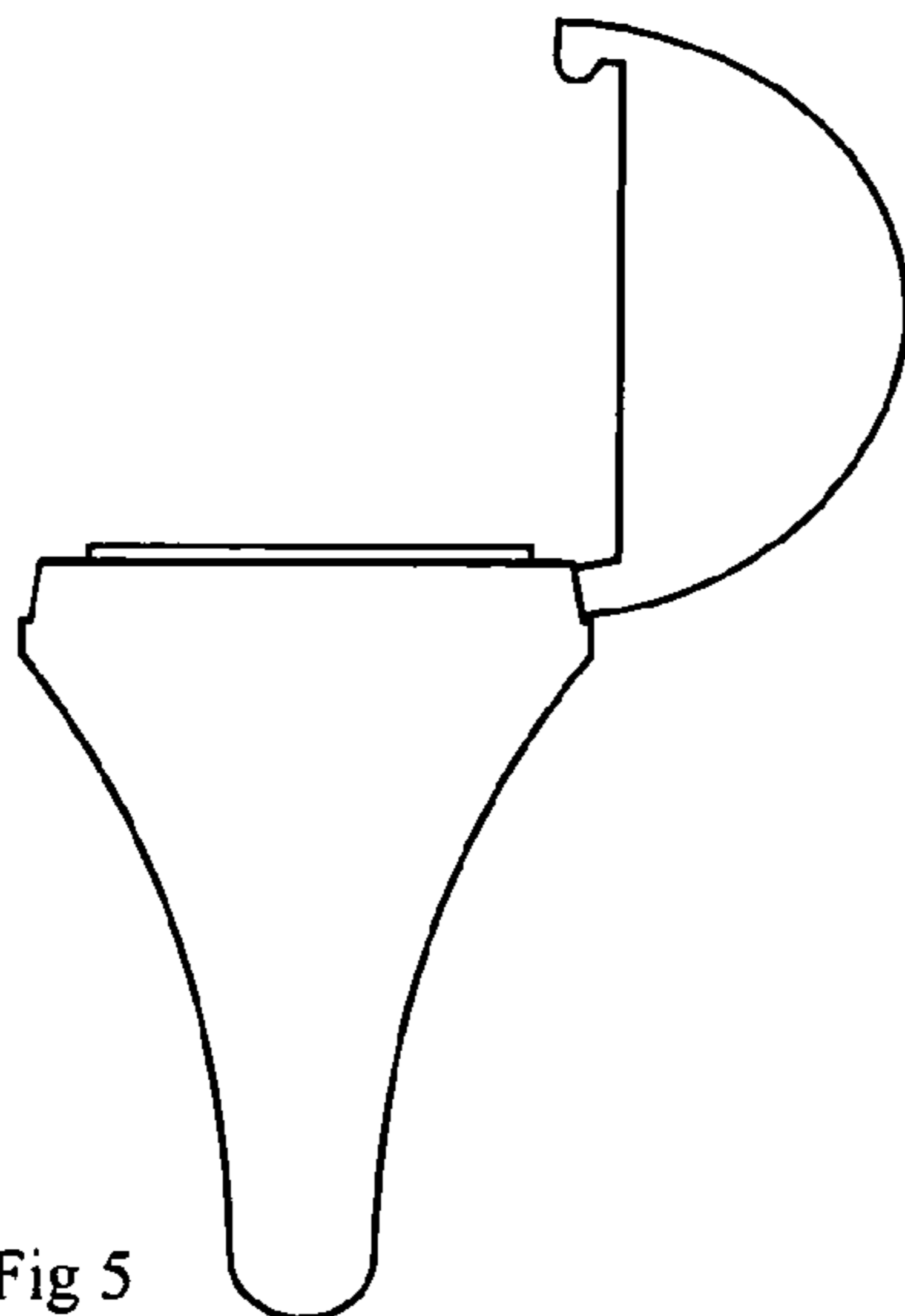


Fig 5

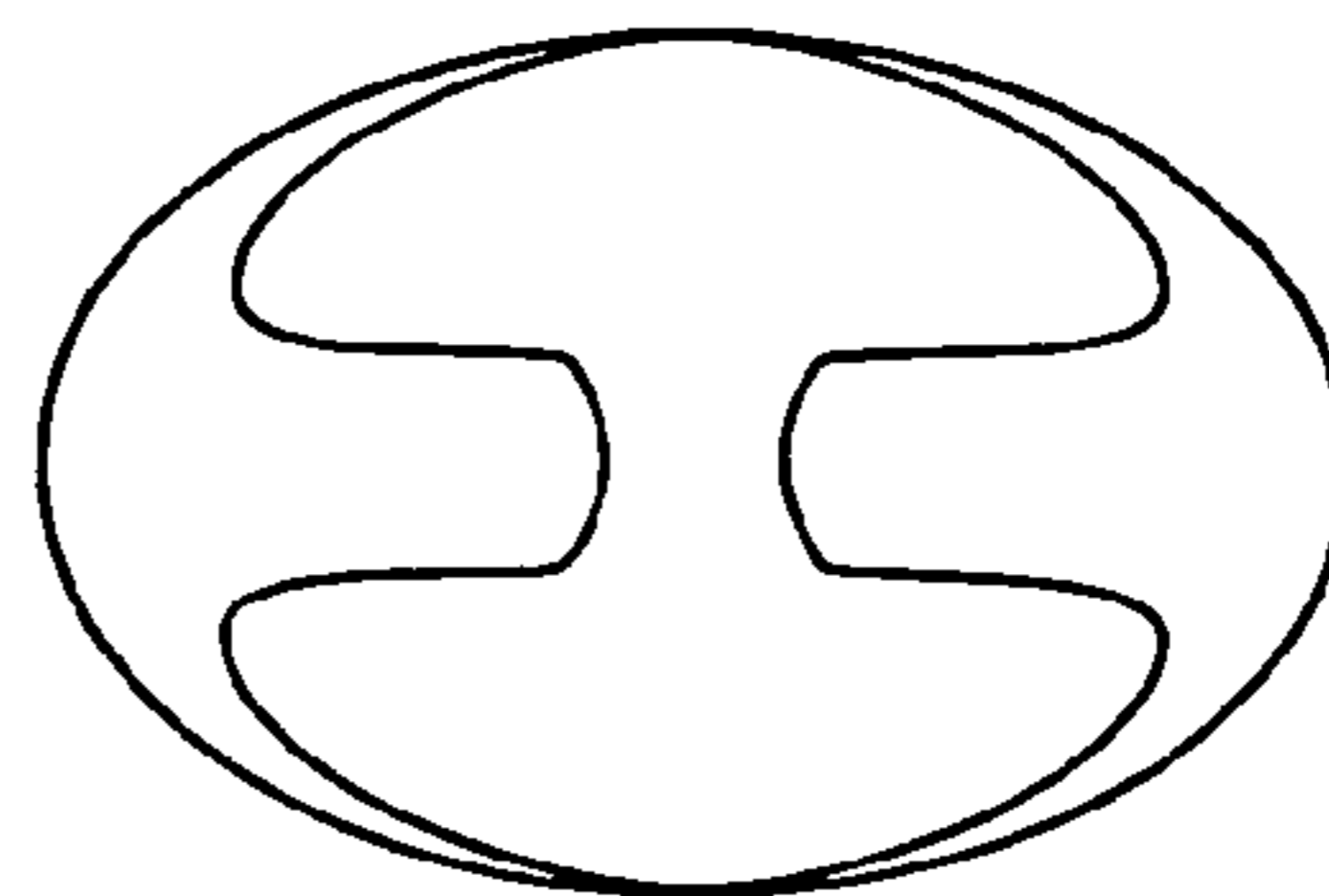


Fig 6

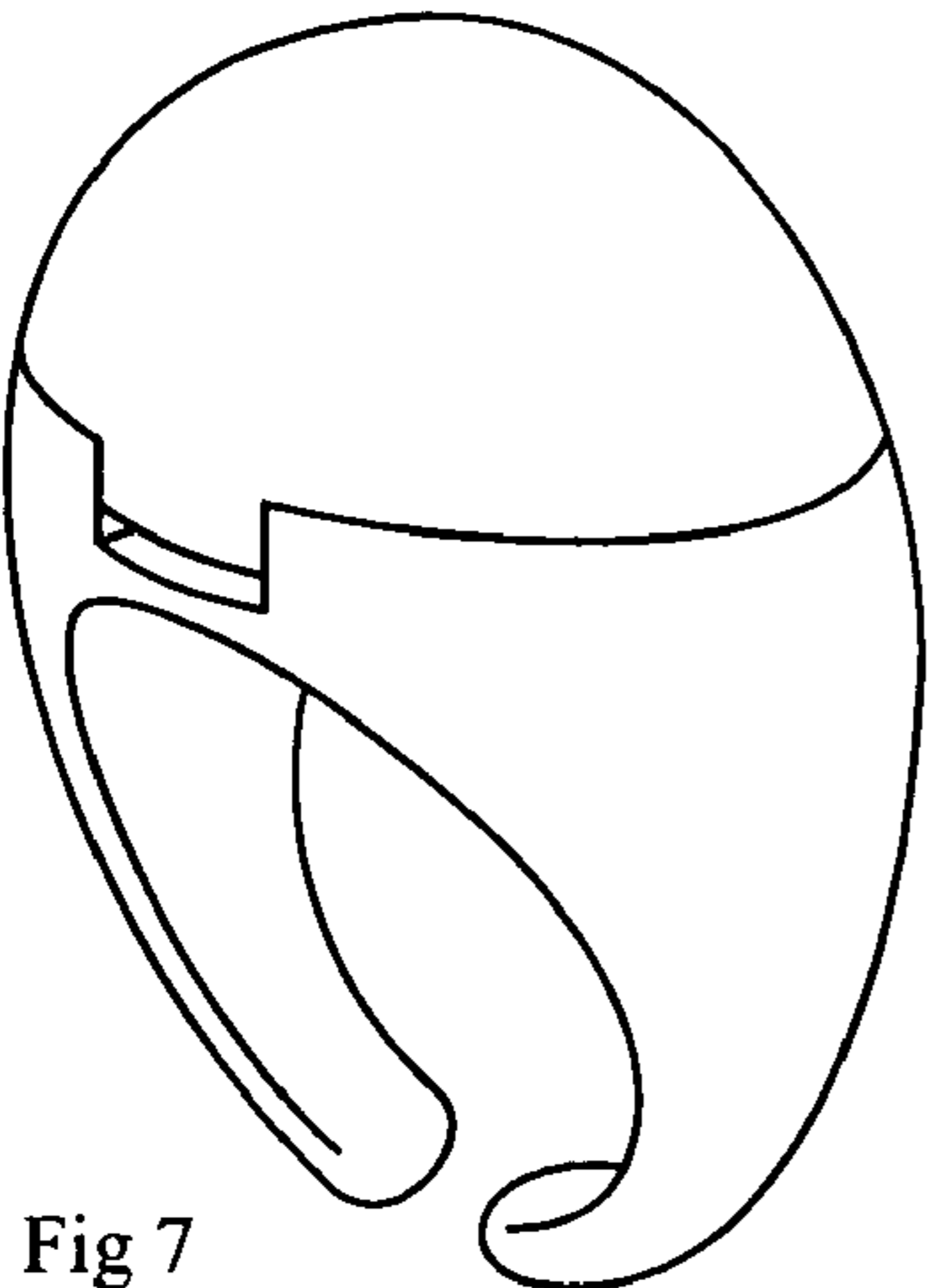


Fig 7

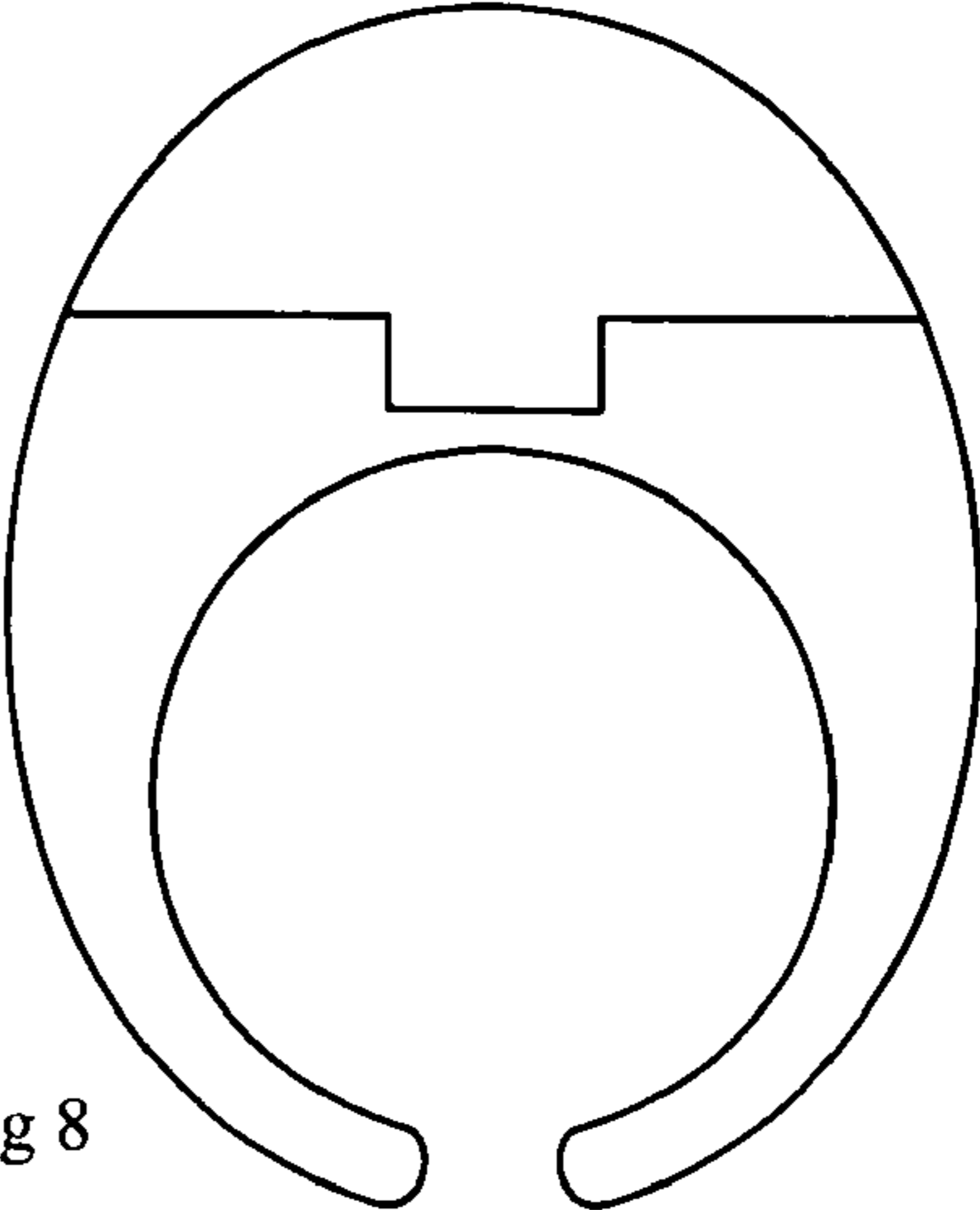


Fig 8

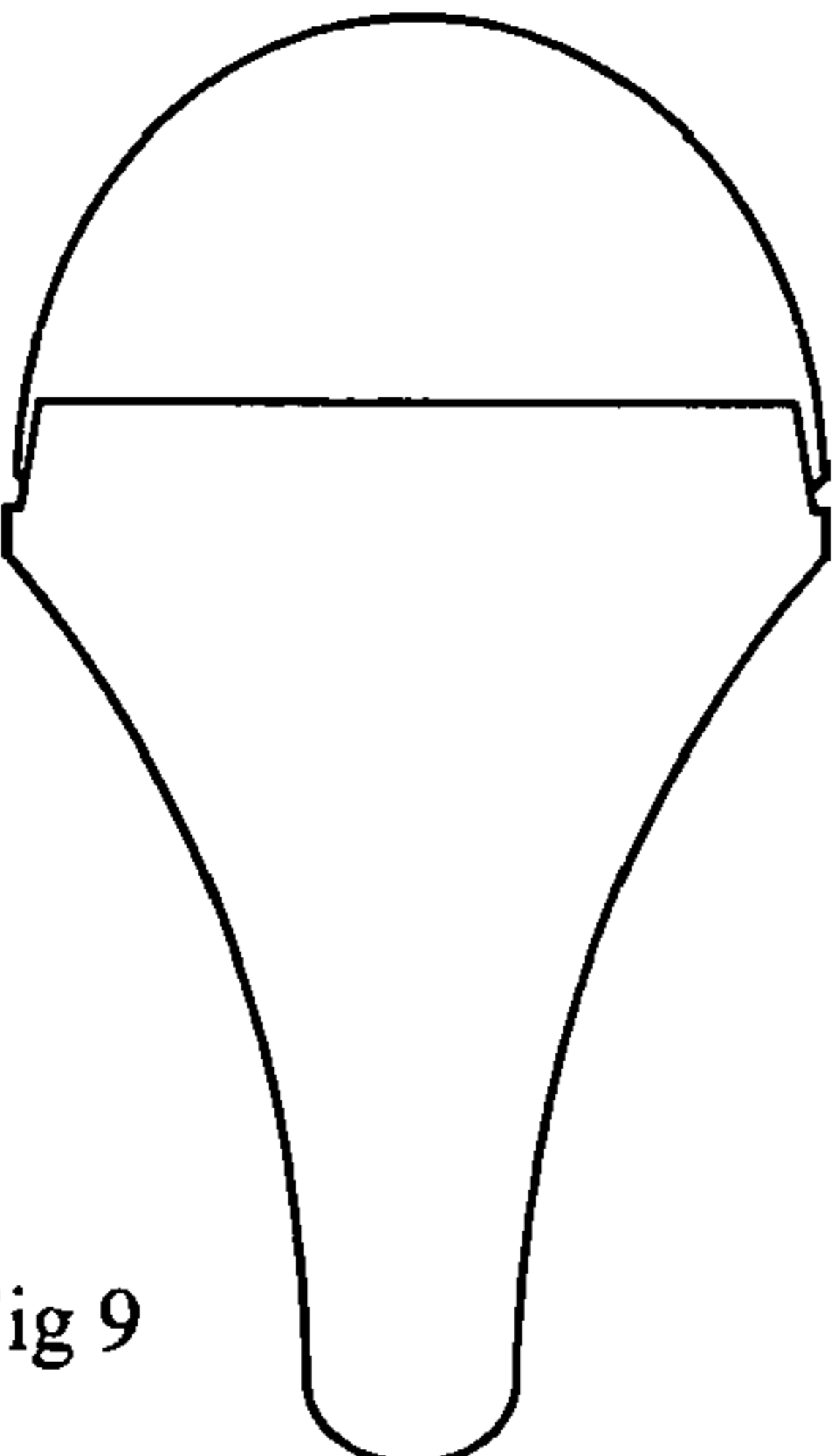


Fig 9

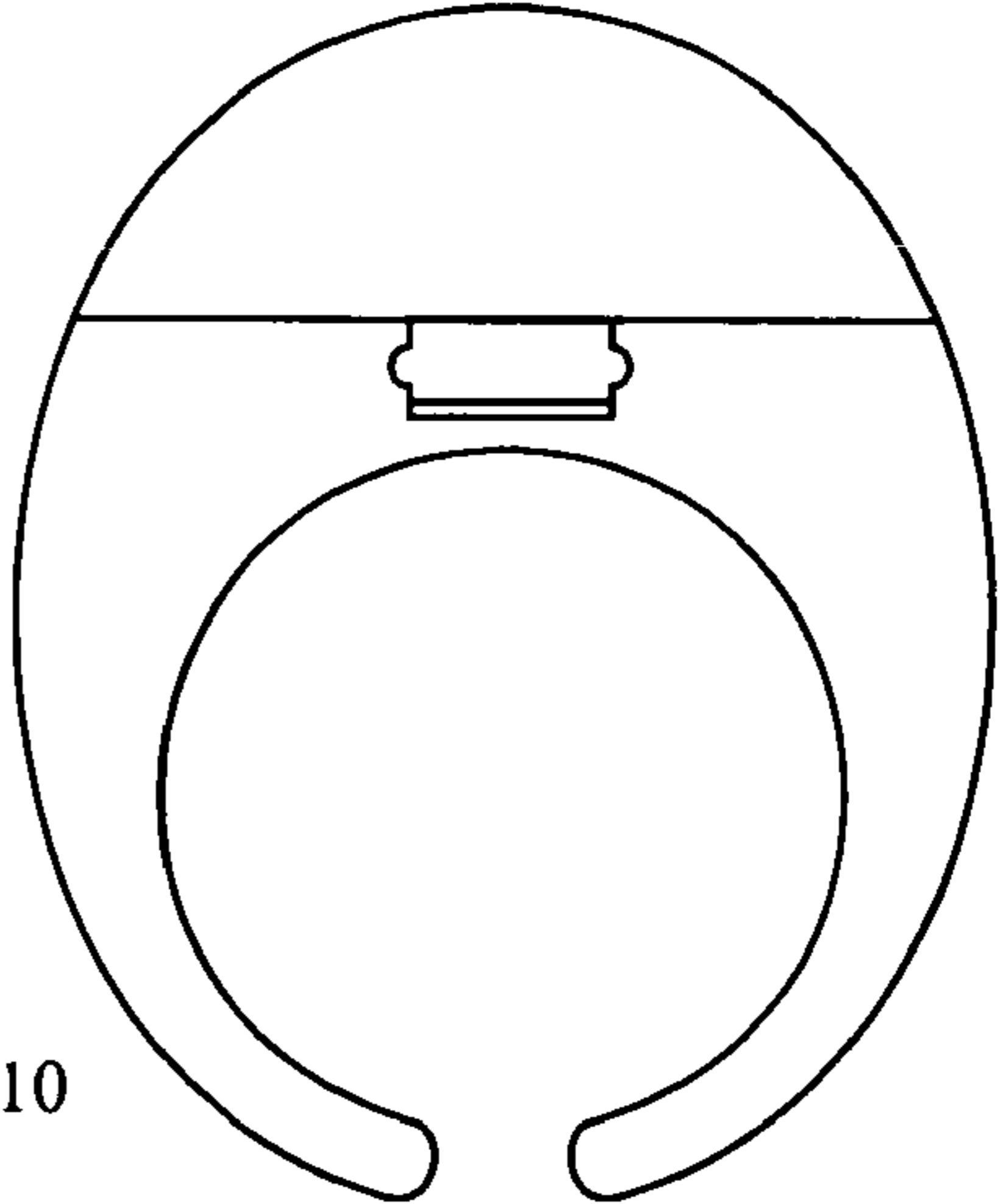


Fig 10

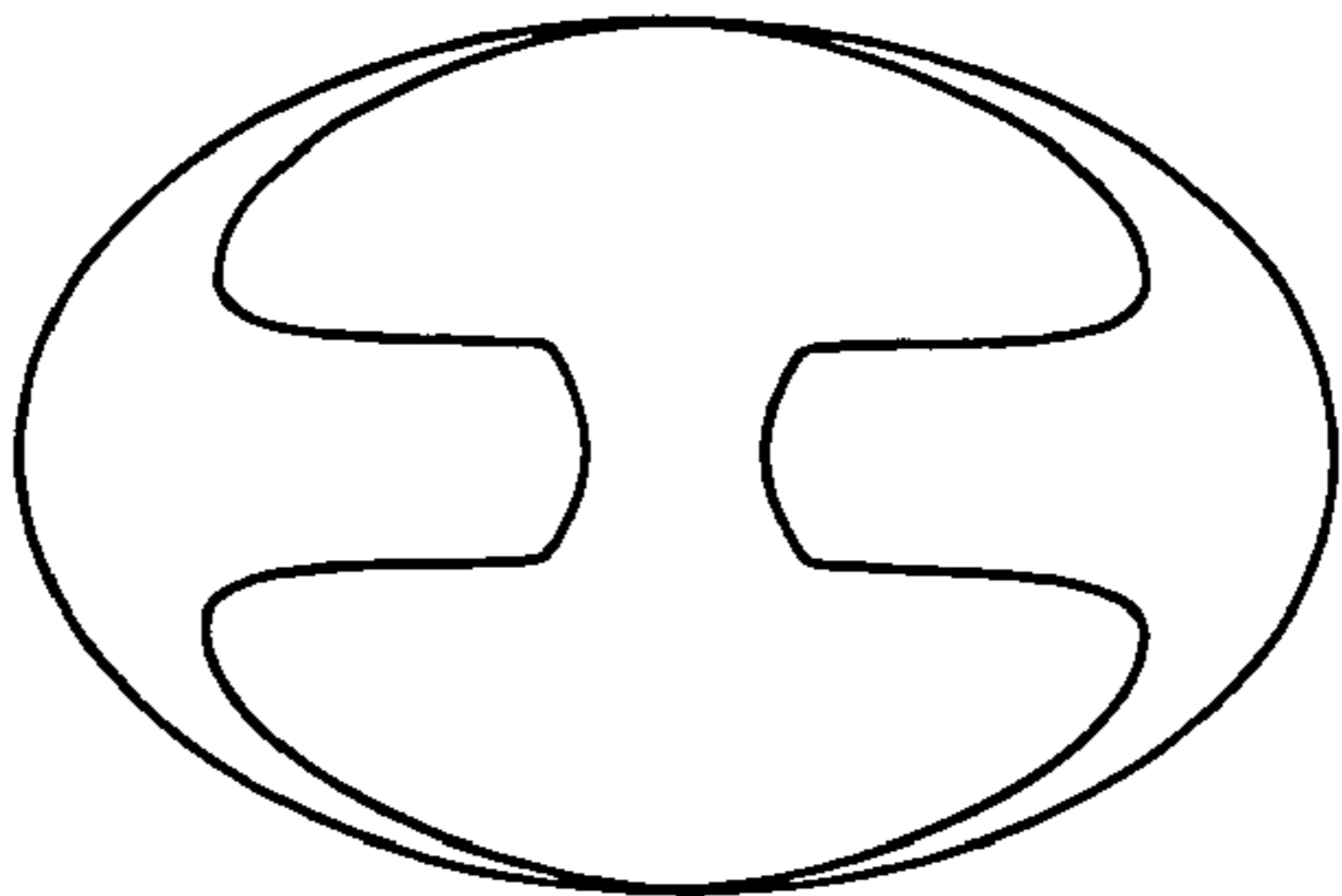


Fig 11