



US00D625213S

(12) **United States Design Patent**
Vaptzarof

(10) **Patent No.:** **US D625,213 S**
(45) **Date of Patent:** **** Oct. 12, 2010**

(54) **WATCH DIAL**
(75) **Inventor:** **Philippe Vaptzarof, L'Abbaye (CH)**
(73) **Assignee:** **Audemars Piguet Marketing SA,**
Switzerland (CH)
(**) **Term:** **14 Years**
(21) **Appl. No.:** **29/363,388**
(22) **Filed:** **Jun. 9, 2010**

(51) **LOC (9) Cl.** **10-07**
(52) **U.S. Cl.** **D10/126**
(58) **Field of Classification Search** **D10/30-39,**
D10/122-126; 368/80, 223, 228, 232, 28
See application file for complete search history.

(56) **References Cited**

U.S. PATENT DOCUMENTS

D323,124 S * 1/1992 Osawa D10/39
D338,161 S * 8/1993 Kizaki D10/39
D496,874 S * 10/2004 Nataf D10/126
6,826,122 B2 * 11/2004 Zaugg 368/28

D500,451 S * 1/2005 Yamamoto D10/32
D524,182 S * 7/2006 Nataf D10/126
D524,677 S * 7/2006 Nataf D10/126
D538,181 S * 3/2007 Sugiura D10/31
D546,224 S * 7/2007 Nataf D10/126
D566,602 S * 4/2008 Nataf D10/126
D574,263 S * 8/2008 Loth D10/38
D585,319 S * 1/2009 Jorst et al. D10/126
D611,377 S * 3/2010 Nataf D10/126
D620,382 S * 7/2010 Hegi D10/126

* cited by examiner

Primary Examiner—Lucy Lieberman
(74) *Attorney, Agent, or Firm*—Galbreath Law Offices, P.C.;
John A. Galbreath

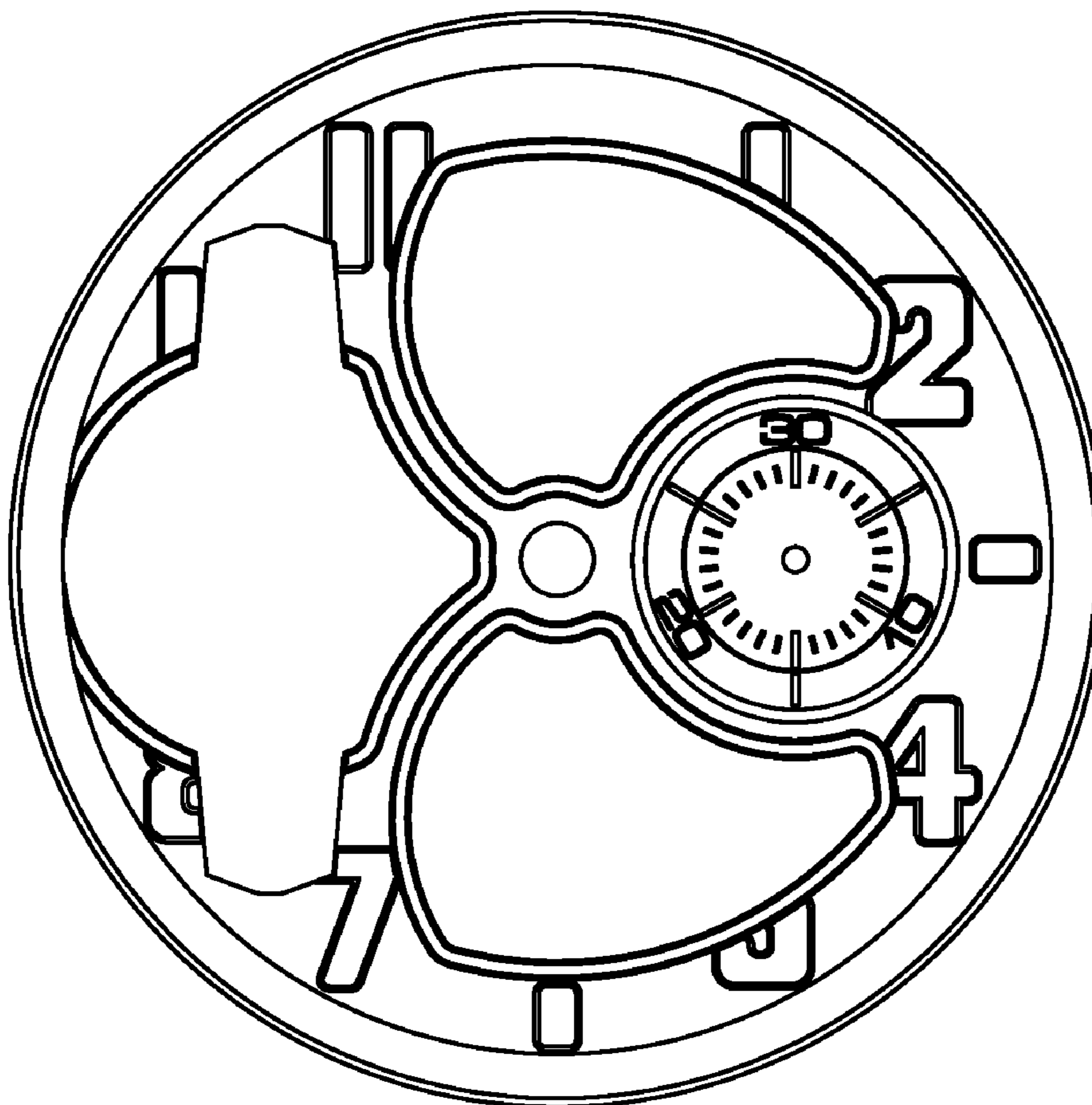
(57) **CLAIM**

The ornamental design for a watch dial, as shown and described.

DESCRIPTION

FIG. 1 is a top view of the invention; and,
FIG. 2 is a perspective view of the invention.

1 Claim, 1 Drawing Sheet



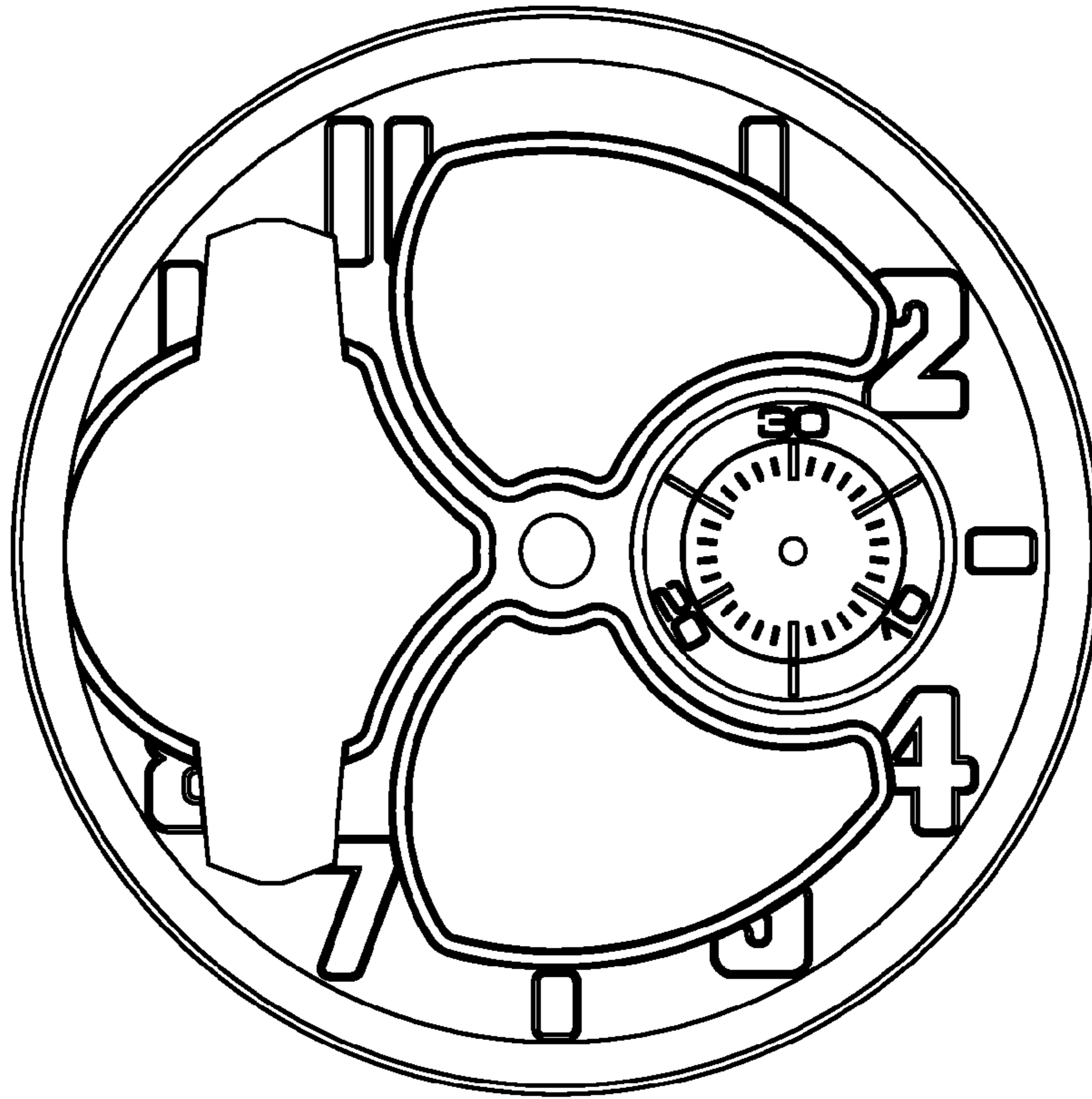


Fig.1

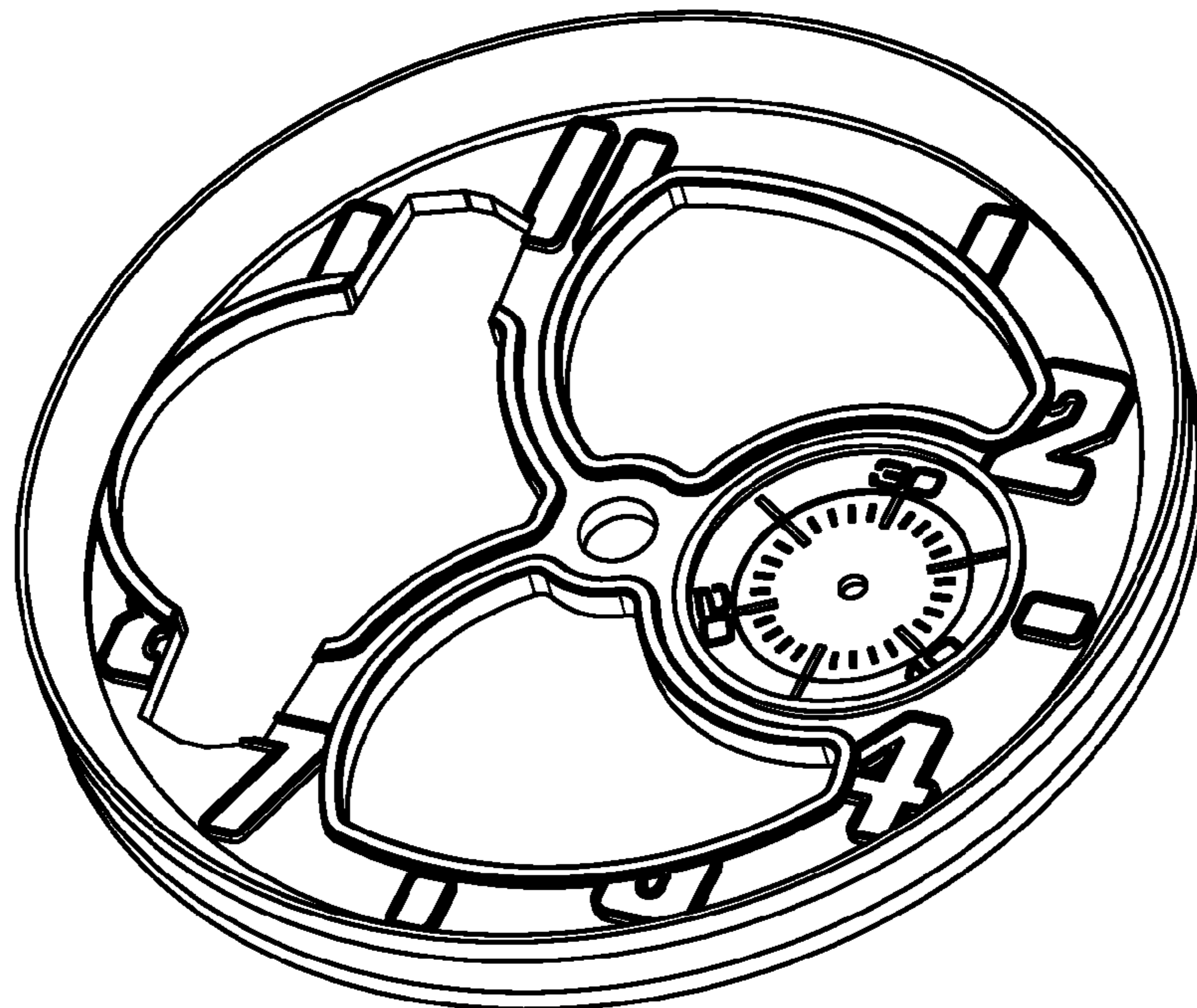


Fig.2