



US00D625208S

(12) **United States Design Patent**
Heaton

(10) **Patent No.:** **US D625,208 S**

(45) **Date of Patent:** **** Oct. 12, 2010**

(54) **DECK PLANK POSITIONING MEASUREMENT TOOL**

(76) **Inventor:** **Danny A. Heaton**, 2428 12th Ave. NE., Watertown, SD (US) 57201

(**) **Term:** **14 Years**

(21) **Appl. No.:** **29/344,130**

(22) **Filed:** **Sep. 24, 2009**

(51) **LOC (9) Cl.** **10-04**

(52) **U.S. Cl.** **D10/65**

(58) **Field of Classification Search** D10/65;
33/476, 477, 482, 429, 430, 432-434, 436,
33/437, 470, 460, 474, 480

See application file for complete search history.

(56) **References Cited**

U.S. PATENT DOCUMENTS

4,742,619	A *	5/1988	Swanson	33/474
D314,521	S *	2/1991	Tyler	D10/65
D364,574	S *	11/1995	Útz et al.	D10/62
D369,981	S *	5/1996	Hayes et al.	D10/65
D416,501	S *	11/1999	DiGangi et al.	D10/62
D454,312	S *	3/2002	Anderson et al.	D10/65
D488,730	S *	4/2004	Pena	D10/65

D491,823	S *	6/2004	Schwarm	D10/65
6,868,616	B2 *	3/2005	Allemand	33/476
7,114,264	B1 *	10/2006	Hurley et al.	33/423
D587,606	S *	3/2009	McMasters	D10/65

* cited by examiner

Primary Examiner—Antoine D Davis

(57) **CLAIM**

The ornamental design for a deck plank positioning measurement tool, as shown and described.

DESCRIPTION

FIG. 1 is a top and front perspective view of a deck plank positioning measurement tool showing my new design;

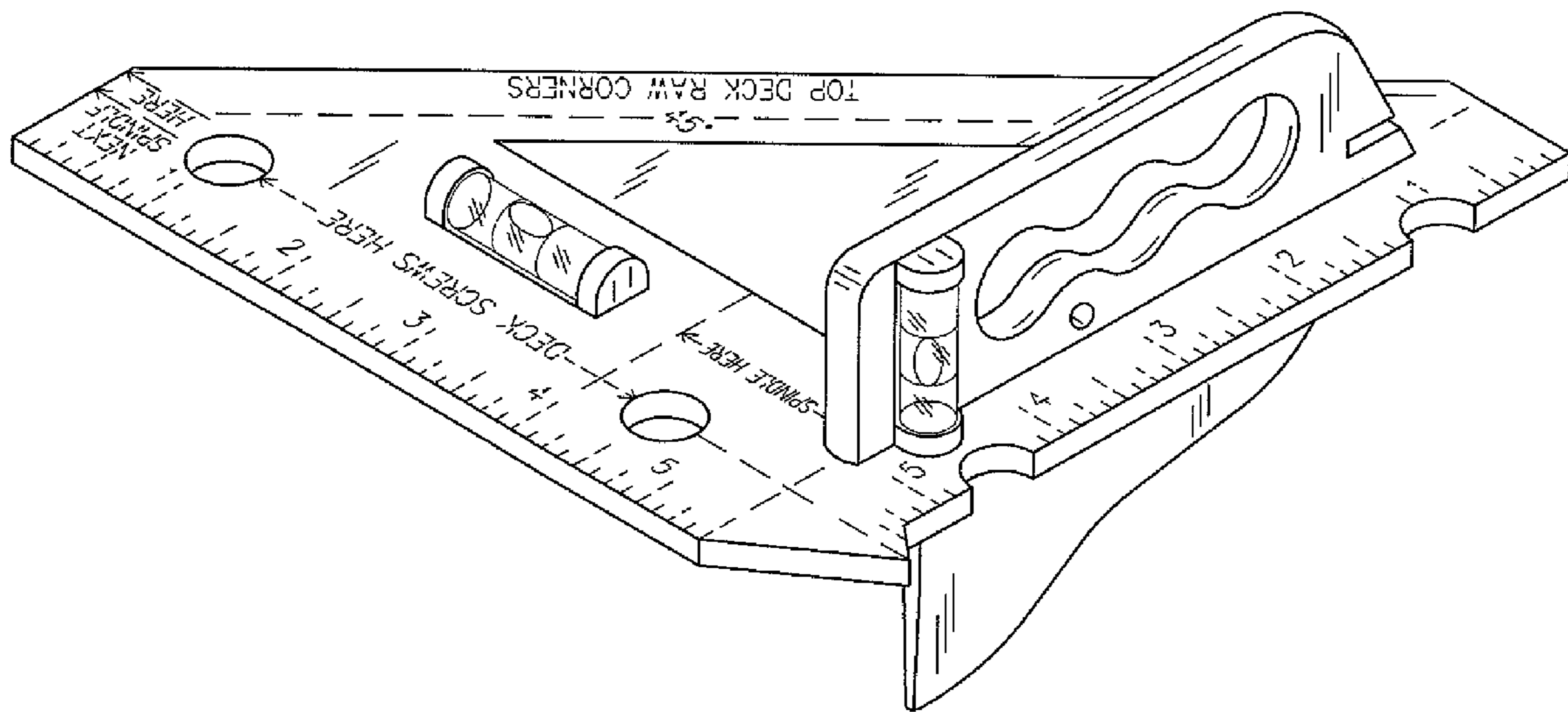
FIG. 2 is a bottom and front perspective view of the deck plank positioning measurement tool;

FIG. 3 is a top plan view of the deck plank positioning measurement tool; and,

FIG. 4 is a front plan view of the deck plank positioning measurement tool.

The broken line showing of instructional writing is included for the purpose of illustrating non-claimed subject matter and forms no part of the claimed design.

1 Claim, 4 Drawing Sheets



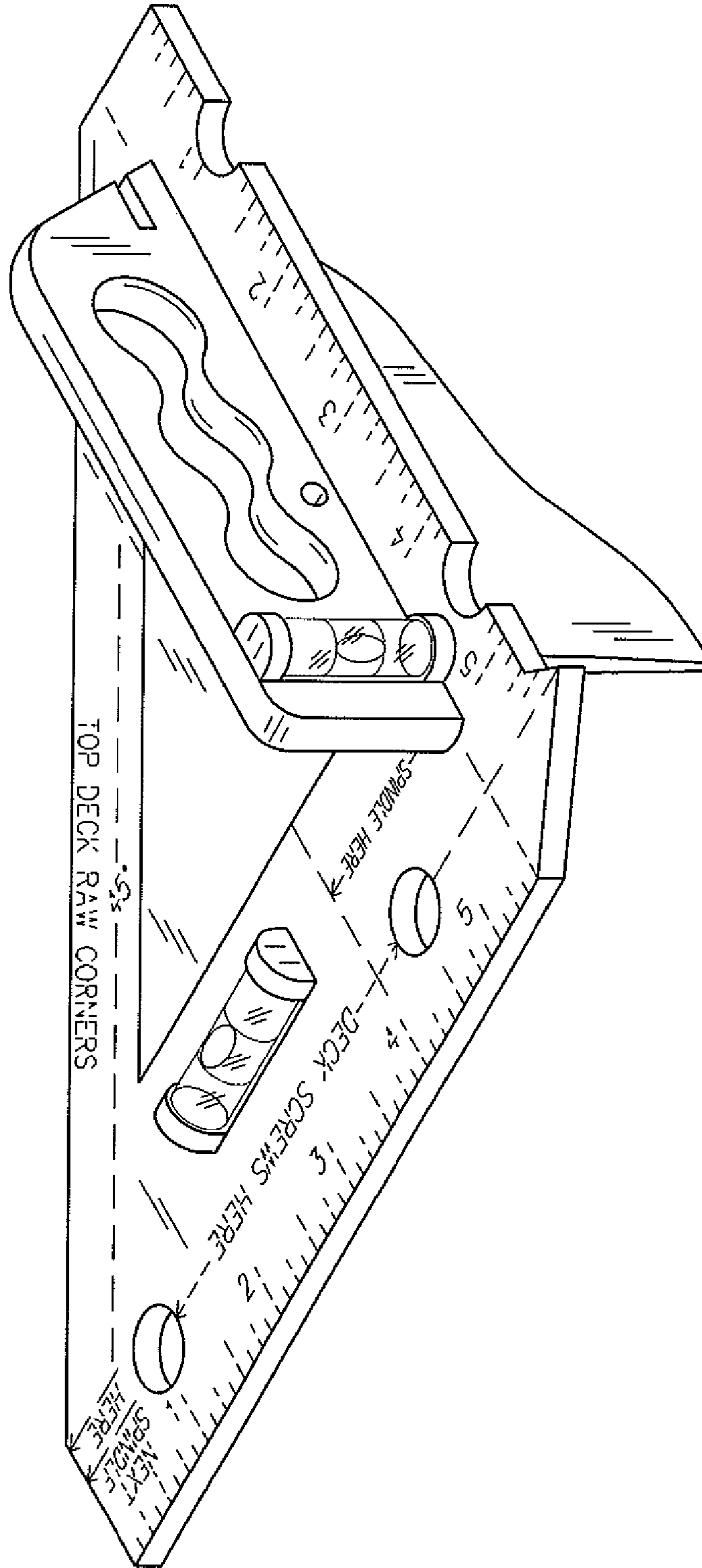


FIG. 1

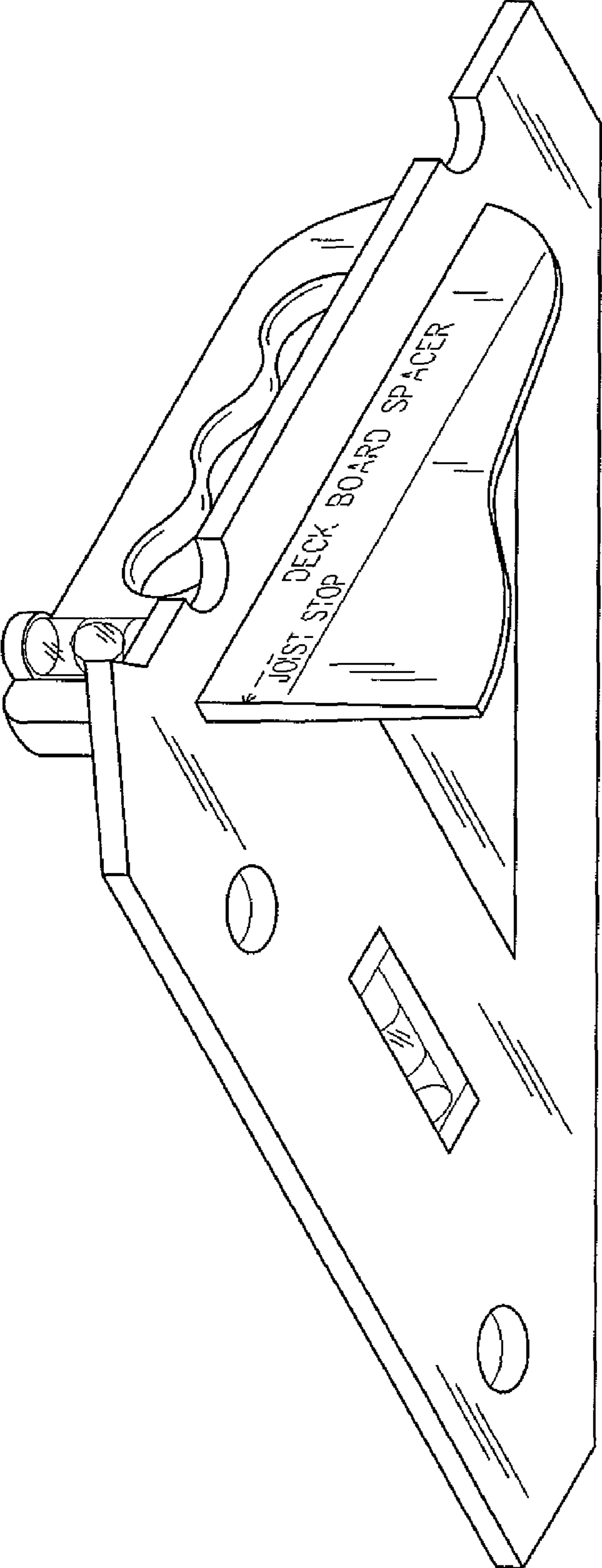


FIG. 2

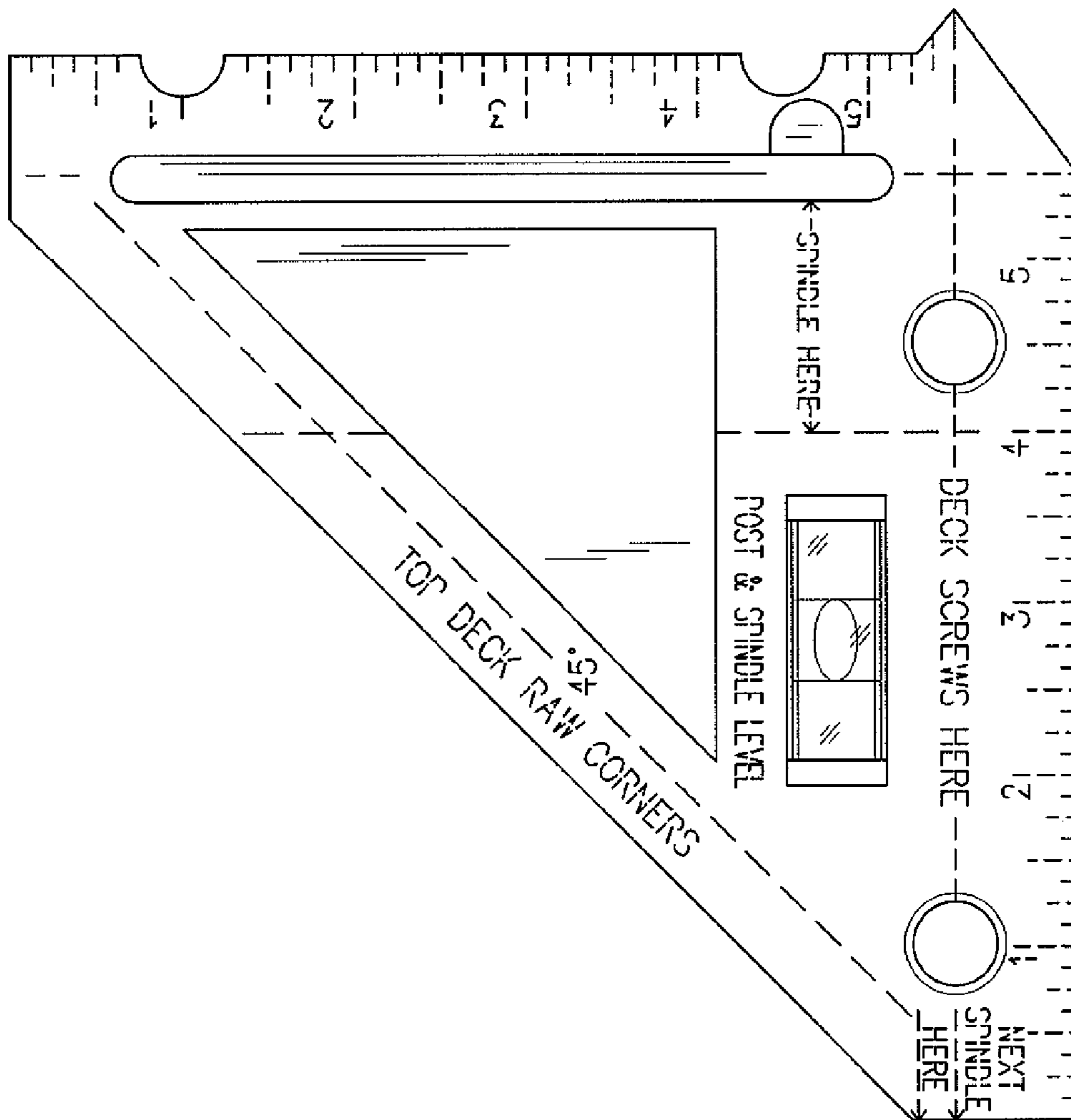


FIG. 3

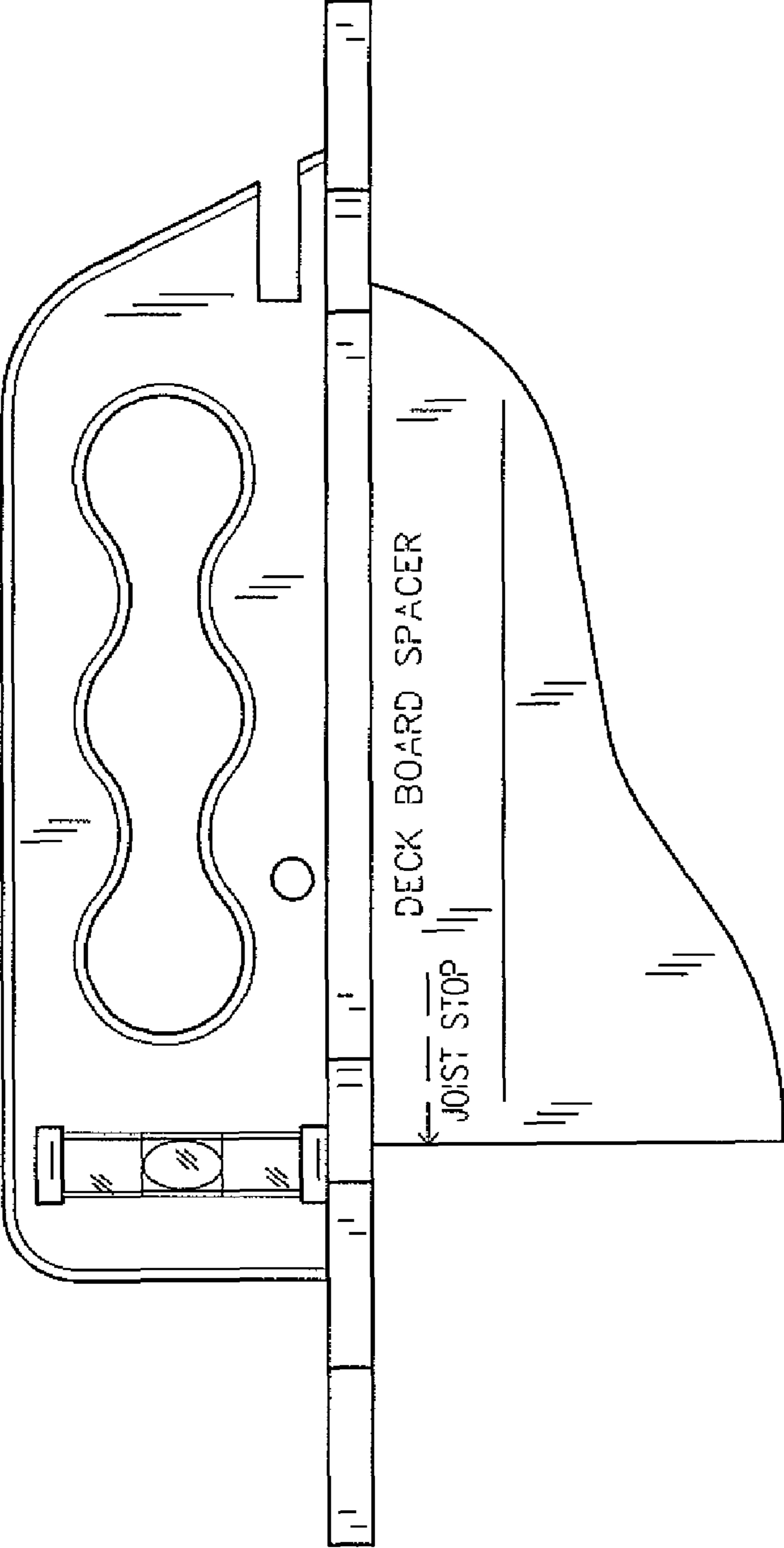


FIG. 4