



US00D625204S

(12) **United States Design Patent**
Kimura

(10) **Patent No.:** **US D625,204 S**
(45) **Date of Patent:** **** Oct. 12, 2010**

(54) **WATCH CASE WITH A STRAP**
(75) Inventor: **Masayuki Kimura**, Chiba (JP)
(73) Assignee: **Seiko Instruments Inc.**, Chiba (JP)
(**) Term: **14 Years**
(21) Appl. No.: **29/357,470**
(22) Filed: **Mar. 12, 2010**
(30) **Foreign Application Priority Data**
Sep. 15, 2009 (JP) 2009-021352

D486,075 S * 2/2004 Frank D10/38
D493,371 S * 7/2004 Streltsov D10/30
D503,115 S * 3/2005 Goto et al. D10/32
D515,945 S * 2/2006 Goto et al. D10/32
D523,369 S * 6/2006 Jacober et al. D11/3
D526,580 S * 8/2006 Burton D10/38
D527,281 S * 8/2006 Kojima et al. D10/32
D528,018 S * 9/2006 Burton D10/38
D528,438 S * 9/2006 Burton D10/32
D540,697 S * 4/2007 Kojima D10/32
D544,375 S * 6/2007 Burton D10/32
D546,206 S * 7/2007 Burton D10/38
D608,222 S * 1/2010 Kimura D10/32
D608,663 S * 1/2010 Kimura D10/38
D608,664 S * 1/2010 Kimura D10/38

(51) **LOC (9) Cl.** **10-02**
(52) **U.S. Cl.** **D10/32**
(58) **Field of Classification Search** D10/30-39;
368/276, 281, 282, 285; D11/3
See application file for complete search history.

* cited by examiner

Primary Examiner—Lucy Lieberman
(74) *Attorney, Agent, or Firm*—Finnegan, Henderson, Farabow, Garrett & Dunner, L.L.P.

(56) **References Cited**

(57) **CLAIM**

U.S. PATENT DOCUMENTS

The ornamental design for watch case with a strap, as shown and described.

D269,546 S * 6/1983 Rogers et al. D24/186
D387,692 S * 12/1997 Hanagata D11/3
D394,391 S * 5/1998 Bruce et al. D10/30
D394,394 S * 5/1998 Bruce et al. D10/30
D394,395 S * 5/1998 Bruce et al. D10/30
D407,030 S * 3/1999 Toyoshima et al. D10/39
D409,940 S * 5/1999 Spandrio et al. D11/3
5,912,865 A * 6/1999 Ortega 368/276
D443,220 S * 6/2001 Robinette D10/128
D445,041 S * 7/2001 Tan et al. D10/32
D446,467 S * 8/2001 Lepeu et al. D11/3
D447,977 S * 9/2001 Tan et al. D10/128
D471,470 S * 3/2003 Tan et al. D10/30
D472,478 S * 4/2003 Tan et al. D10/30
D472,819 S * 4/2003 Streltsov D10/30

DESCRIPTION

FIG. 1 is a perspective view of the front, bottom and right side of watch case with a strap showing my new design;
FIG. 2 is a front view thereof;
FIG. 3 is a rear view thereof;
FIG. 4 is a left side view thereof;
FIG. 5 is a right side view thereof;
FIG. 6 is a top plan view thereof; and,
FIG. 7 is a bottom view thereof.

1 Claim, 5 Drawing Sheets

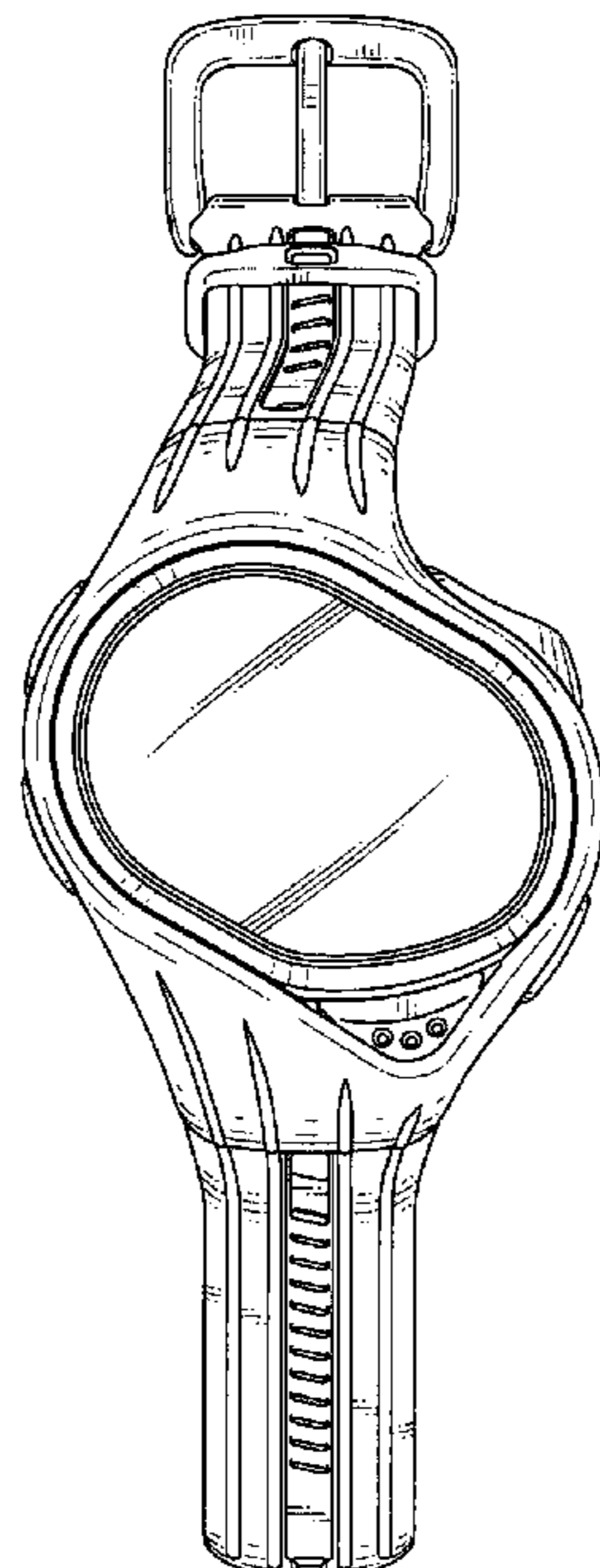


FIG.1

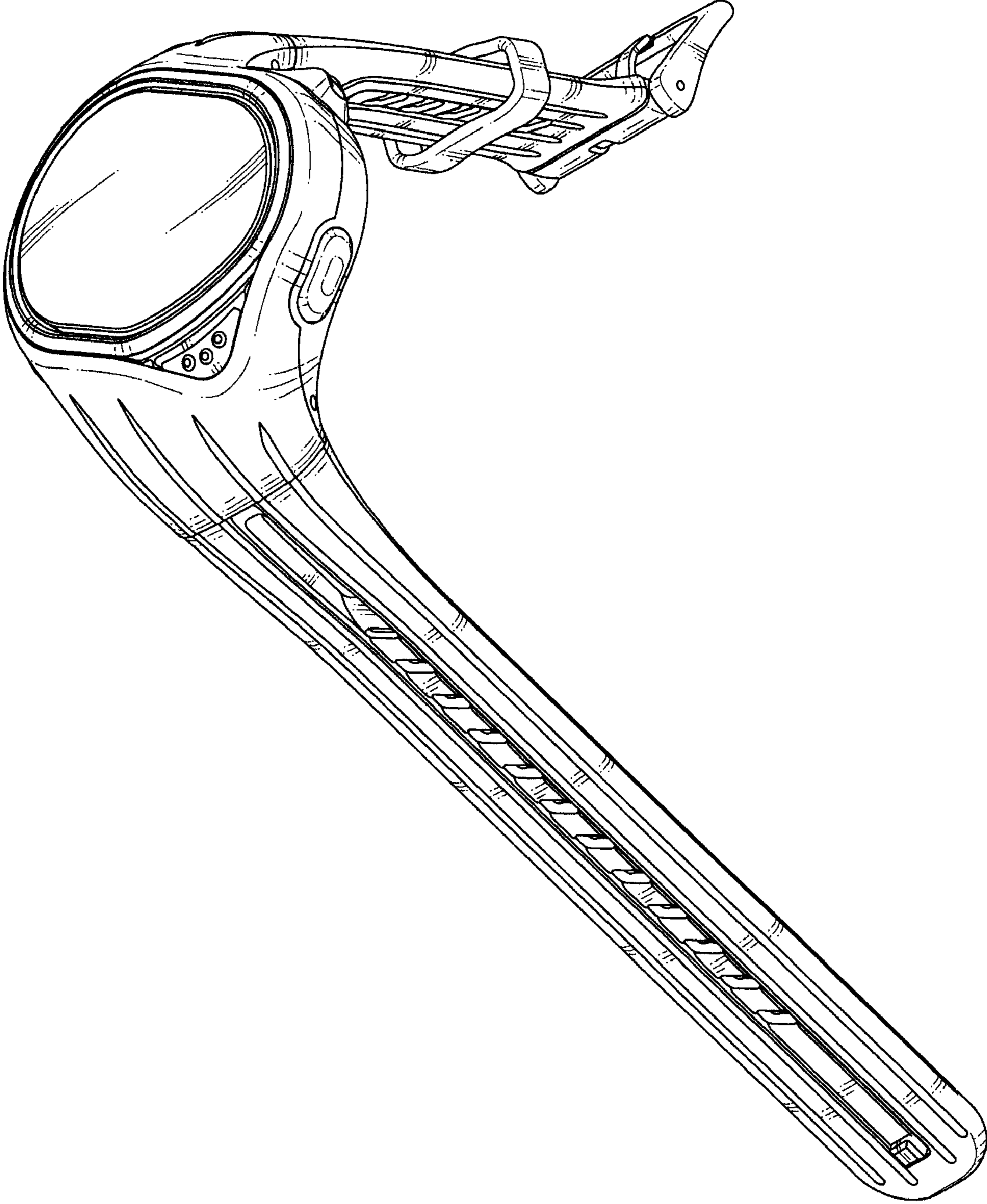


FIG.2

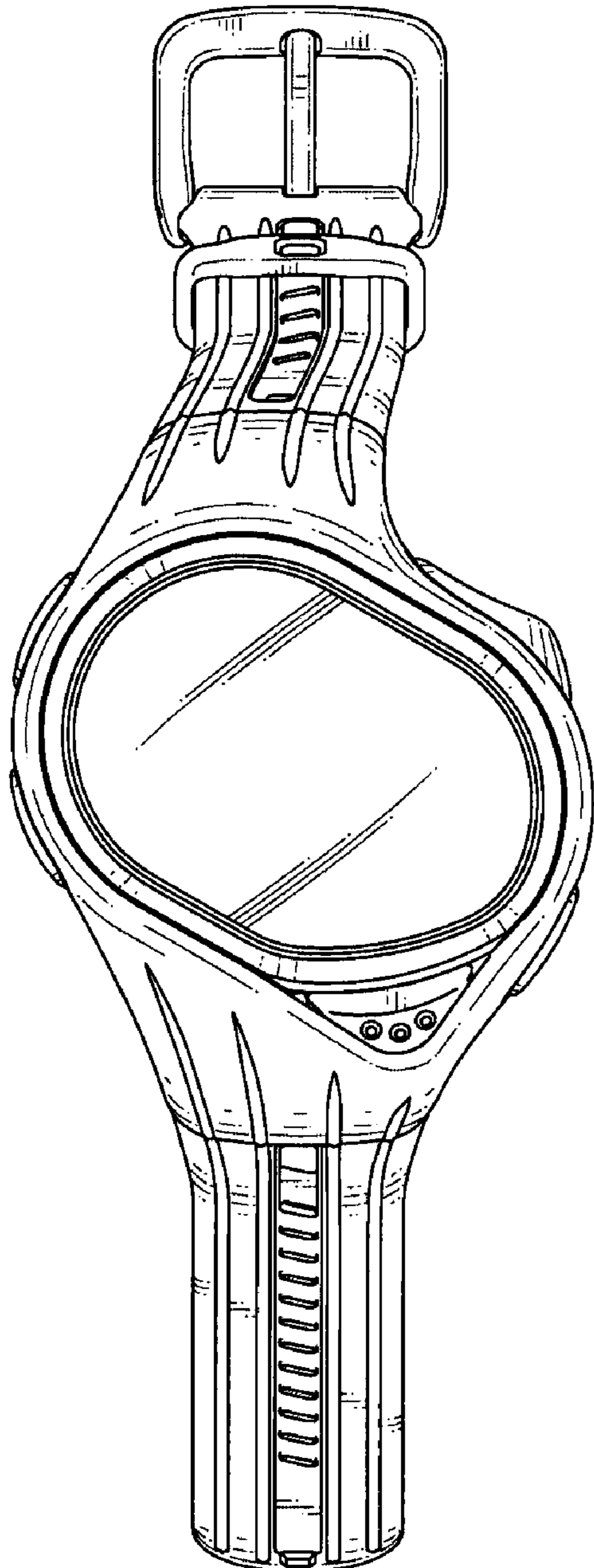


FIG.3

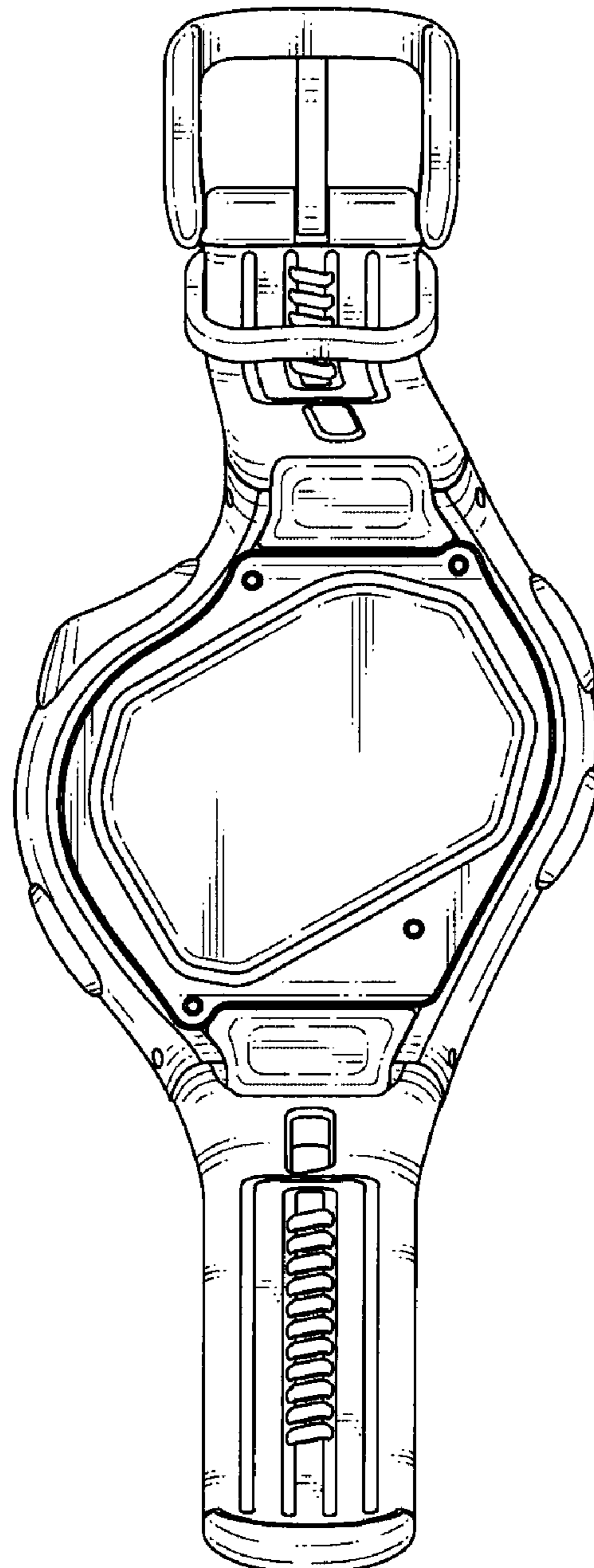


FIG.4

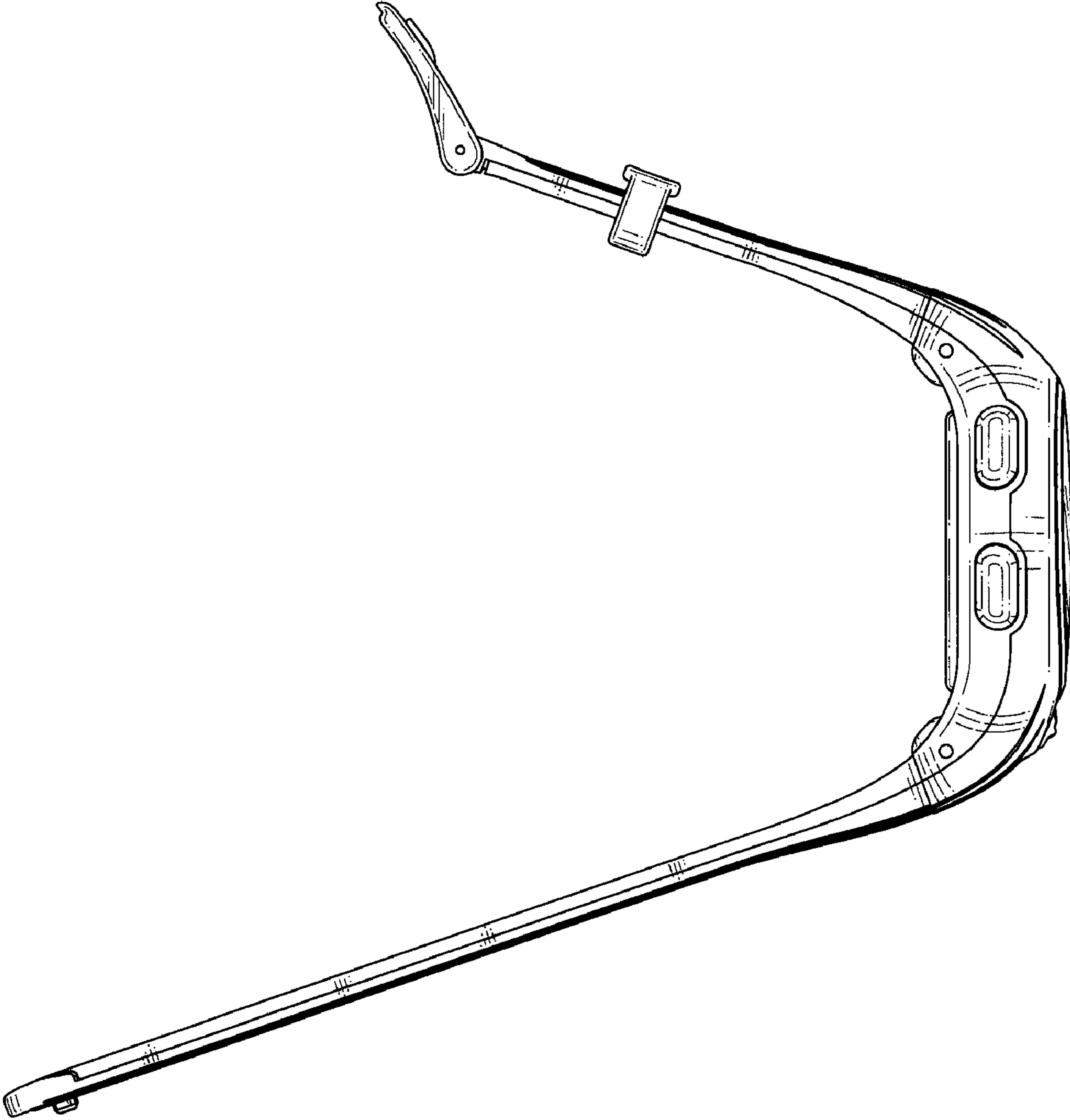


FIG.5

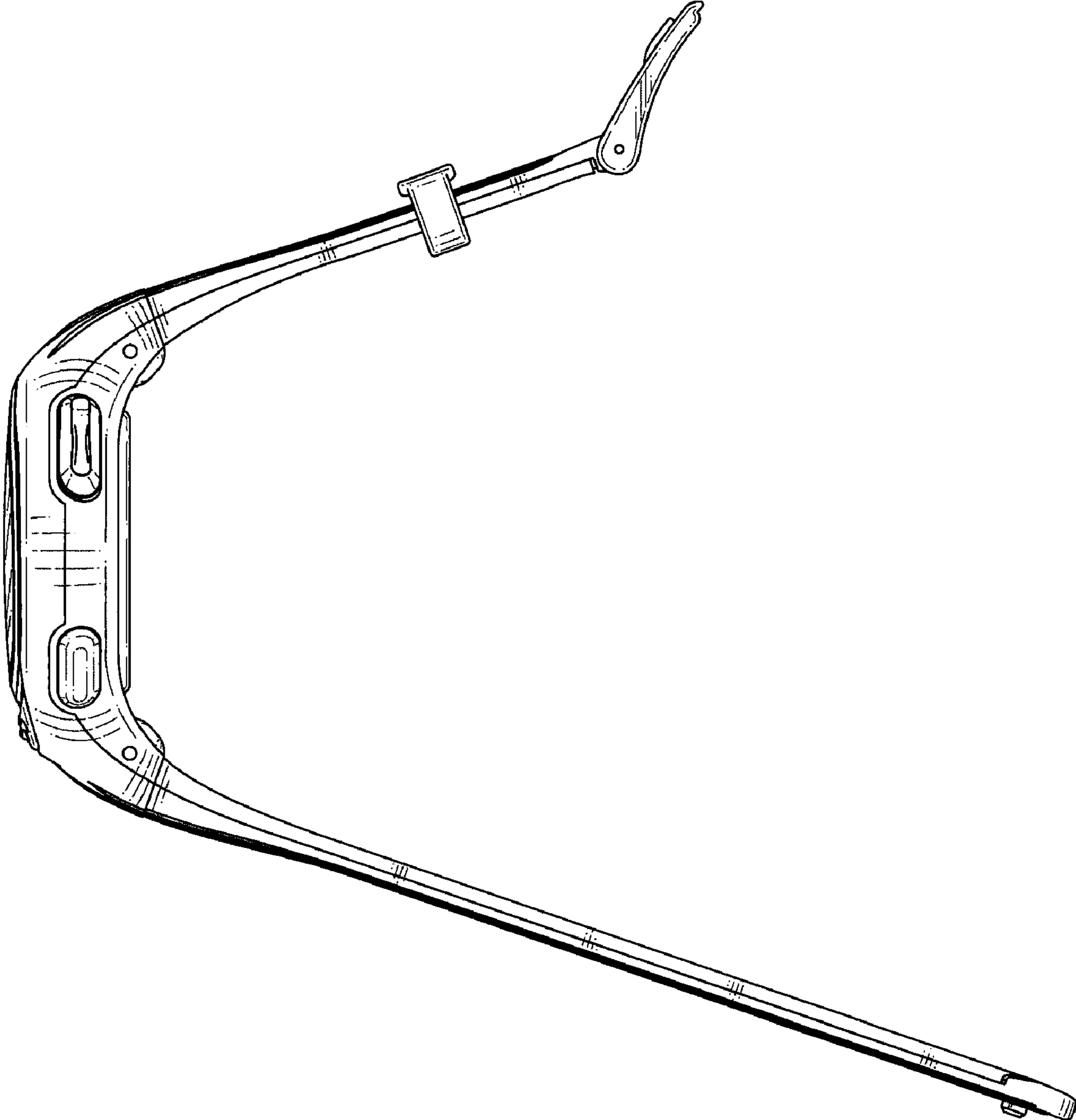


FIG. 6

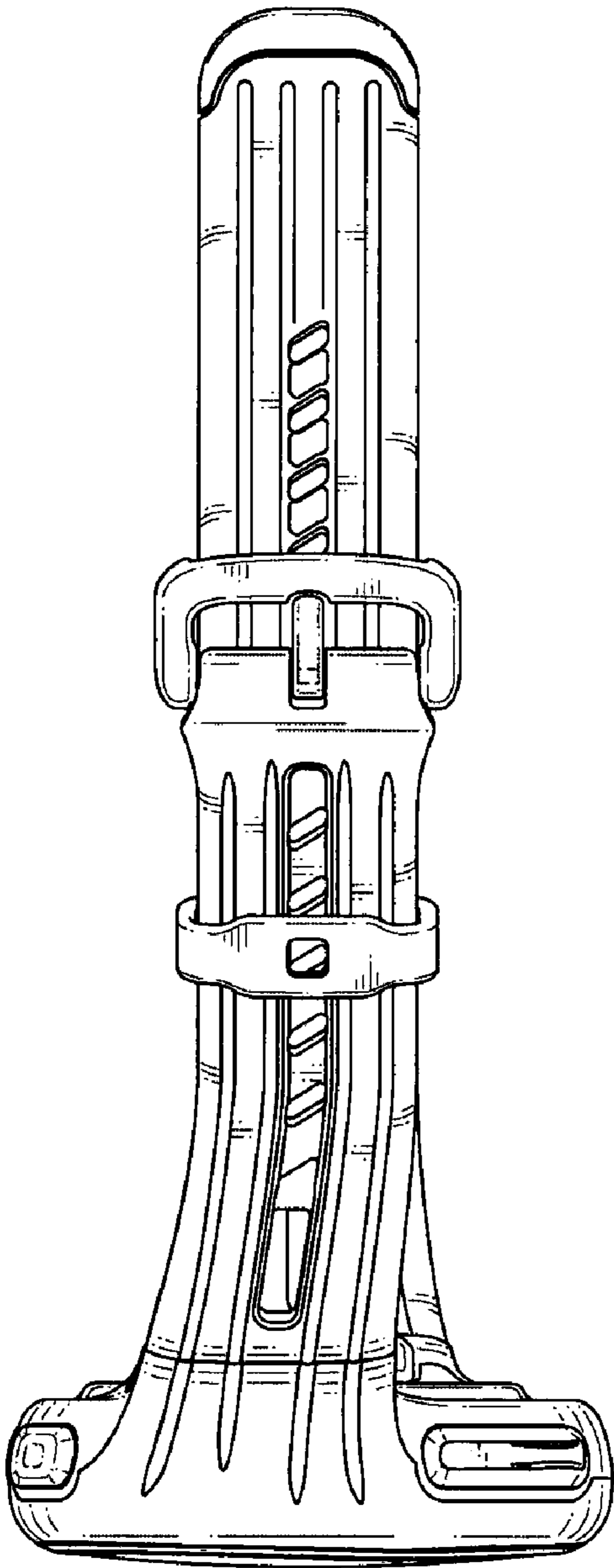


FIG. 7

