



(12) **United States Design Patent**
Py et al.

(10) **Patent No.:** **US D625,200 S**
(45) **Date of Patent:** **** Oct. 12, 2010**

(54) **DISPENSER**

(75) Inventors: **Daniel Py**, Larchmont, NY (US); **Julian V. Chan**, Spring Valley, NY (US)

(73) Assignee: **Medical Instill Technologies, Inc.**, New Milford, CT (US)

(**) Term: **14 Years**

(21) Appl. No.: **29/352,148**

(22) Filed: **Dec. 17, 2009**

Related U.S. Application Data

(62) Division of application No. 29/318,777, filed on May 28, 2008, now Pat. No. Des. 608,658, which is a division of application No. 29/253,780, filed on Feb. 13, 2006, now Pat. No. Des. 580,785.

(51) **LOC (9) Cl.** **09-01**

(52) **U.S. Cl.** **D9/724**

(58) **Field of Classification Search** D9/434, D9/454, 516, 723-727; D23/213; D28/88, D28/89; D19/35, 41, 43, 45, 51, 57, 65, D19/66, 70; 221/64, 65, 135, 208, 278, 282; 222/105, 394, 402.1, 402.15, 546
See application file for complete search history.

(56) **References Cited**

U.S. PATENT DOCUMENTS

2,252,542 A	8/1941	Beeh
2,388,321 A	11/1945	Gereke
2,442,503 A	6/1948	Melnikoff
2,642,607 A	6/1953	Bozzalla
2,715,236 A	8/1955	Tereno
2,725,595 A	12/1955	Sisk et al.

(Continued)

Primary Examiner—Shanda C Hill

(74) *Attorney, Agent, or Firm*—McCarter & English, LLP

(57) **CLAIM**

The ornamental design for a dispenser, as shown and described.

DESCRIPTION

FIG. 1 is a top and left perspective view of a first embodiment of a dispenser of the present invention;

FIG. 2 is a left side elevational view of the dispenser of FIG. 1;

FIG. 3 is a top elevational view of the dispenser of FIG. 1;

FIG. 4 is a right side elevational view of the dispenser of FIG. 1;

FIG. 5 is a bottom elevational view of the dispenser of FIG. 1;

FIG. 6 is a front end elevational view of the dispenser of FIG. 1;

FIG. 7 is a rear end elevational view of the dispenser of FIG. 1;

FIG. 8 is a top and left perspective view of a second embodiment of a dispenser of the present invention;

FIG. 9 is a left side elevational view of the dispenser of FIG. 8;

FIG. 10 is a top elevational view of the dispenser of FIG. 8;

FIG. 11 is a right side elevational view of the dispenser of FIG. 8;

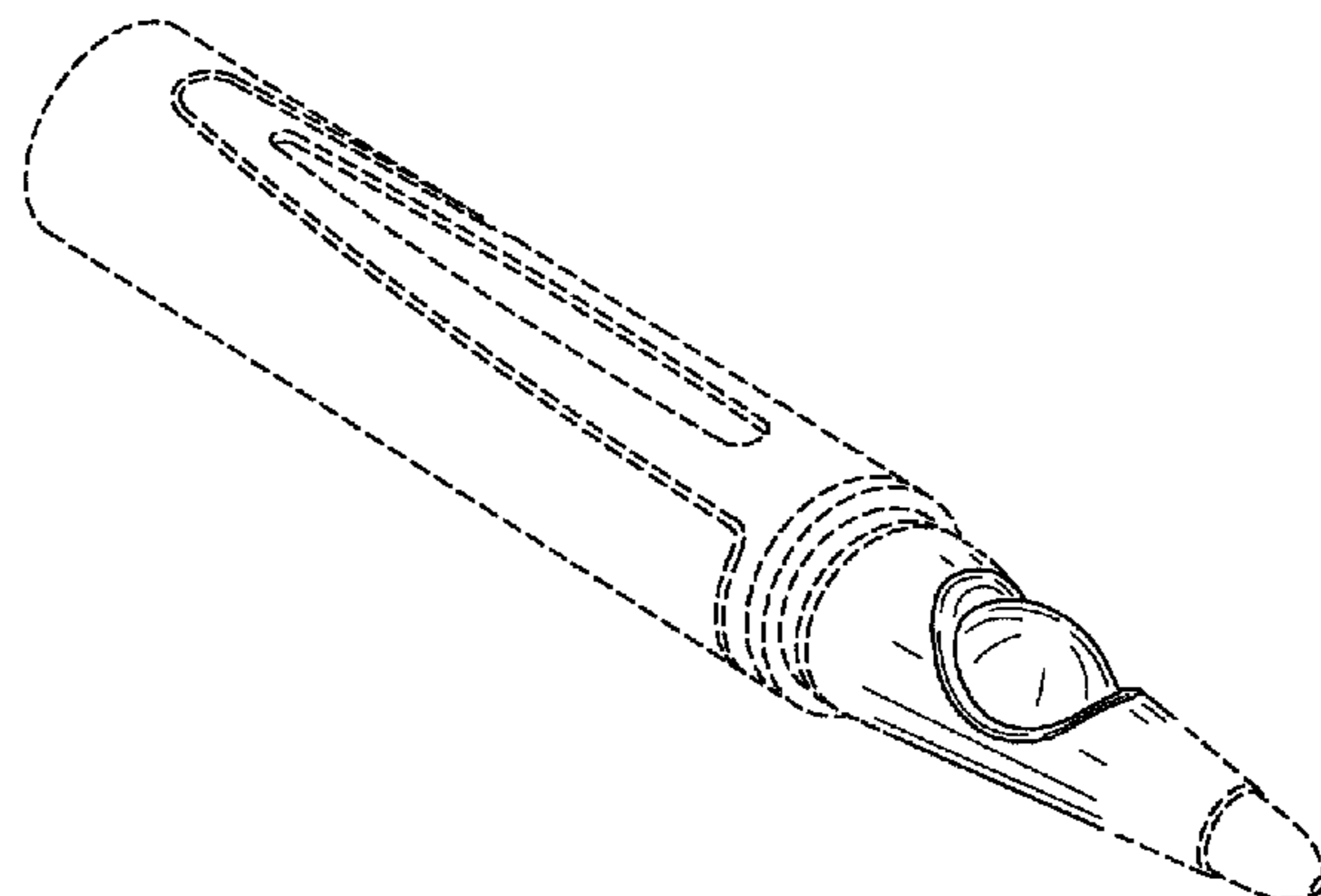
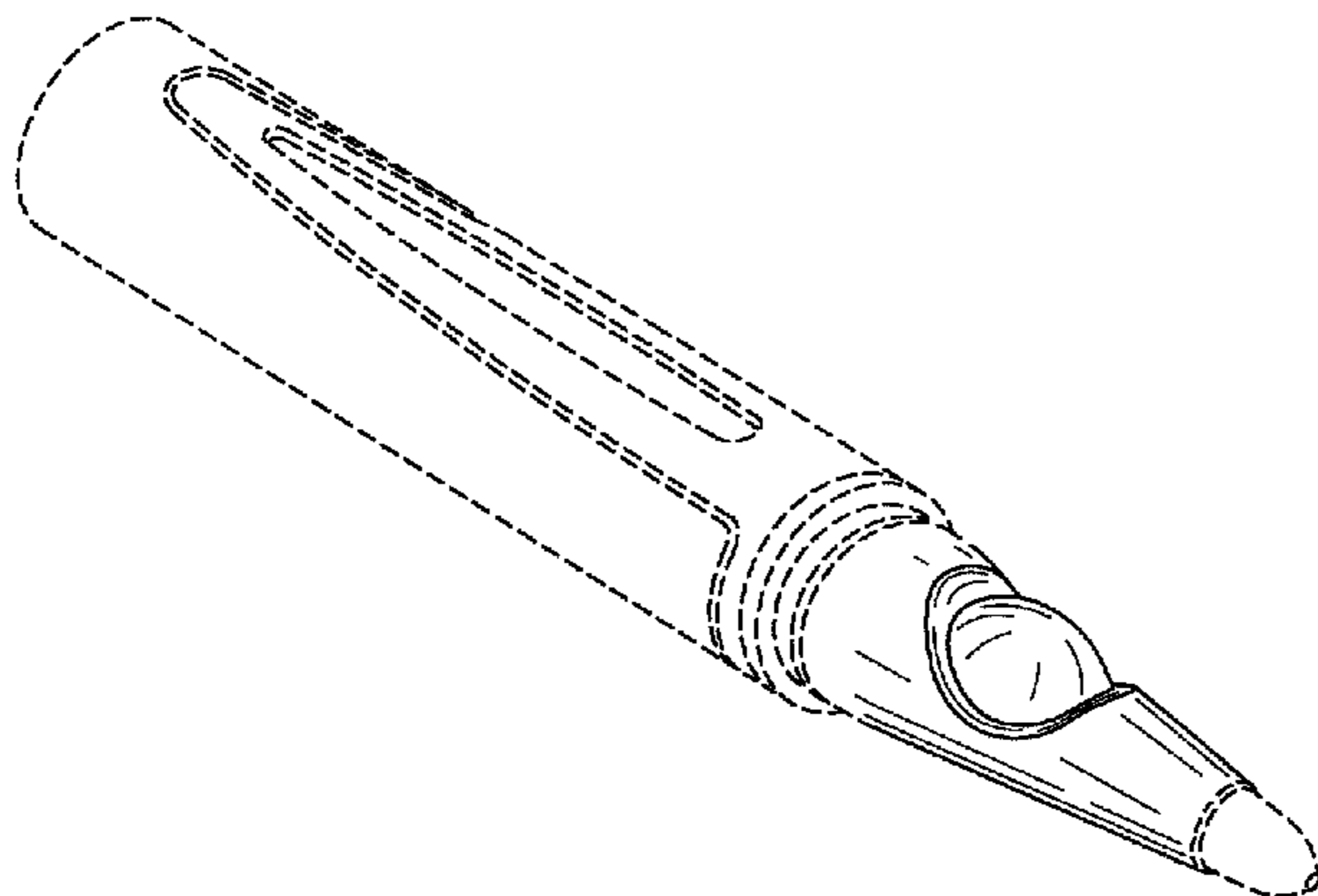
FIG. 12 is a bottom elevational view of the dispenser of FIG. 8;

FIG. 13 is a front end elevational view of the dispenser of FIG. 8; and,

FIG. 14 is a rear end elevational view of the dispenser of FIG. 8.

The broken lines shown in the drawing disclosure are for illustrative purposes only and form no part of the claimed design.

1 Claim, 8 Drawing Sheets



US D625,200 S

Page 2

U.S. PATENT DOCUMENTS

2,732,736 A	1/1956	Bonnie	6,409,406 B1	6/2002	Schwartzman	
2,743,042 A	4/1956	Burgin	D466,553 S *	12/2002	Yan	D9/724
3,864,047 A	2/1975	Sherrod	D479,466 S *	9/2003	Bremner et al.	D9/434
4,002,182 A	1/1977	Michel	6,688,317 B2	2/2004	Gueret	
5,505,341 A	4/1996	Gueret	D491,469 S *	6/2004	Horie et al.	D9/529
5,738,067 A	4/1998	Landwehr et al.	6,745,781 B2	6/2004	Gueret	
5,772,347 A	6/1998	Gueret	D530,862 S *	10/2006	Py et al.	D28/89
5,879,095 A	3/1999	Gueret	D543,118 S *	5/2007	Poisson et al.	D9/724
6,010,036 A	1/2000	Bougamont et al.	D543,469 S *	5/2007	Py et al.	D9/724
6,073,813 A	6/2000	Tanner	2004/0161292 A1	8/2004	Breidenbach et al.	

* cited by examiner

FIG. 1

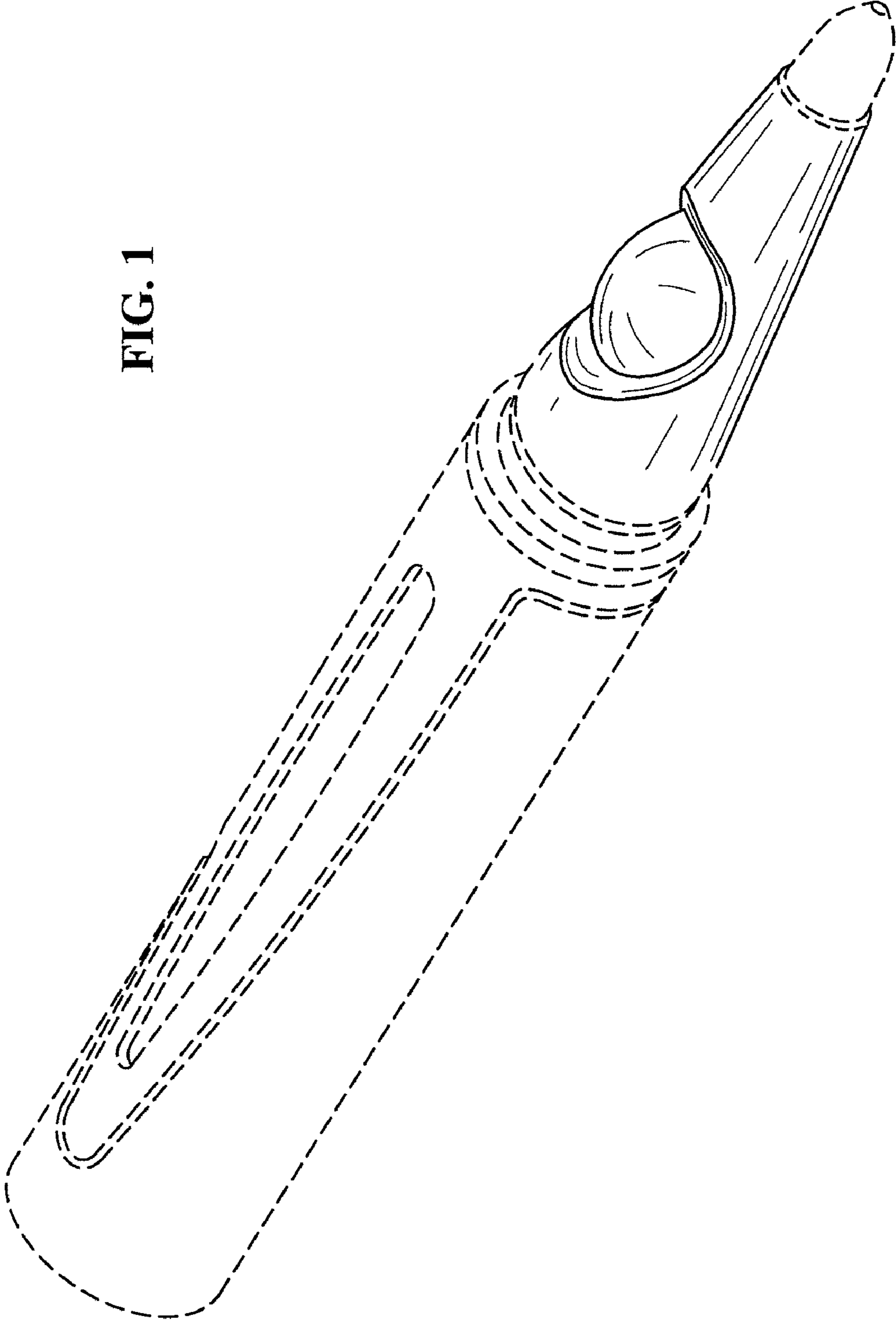


FIG. 2

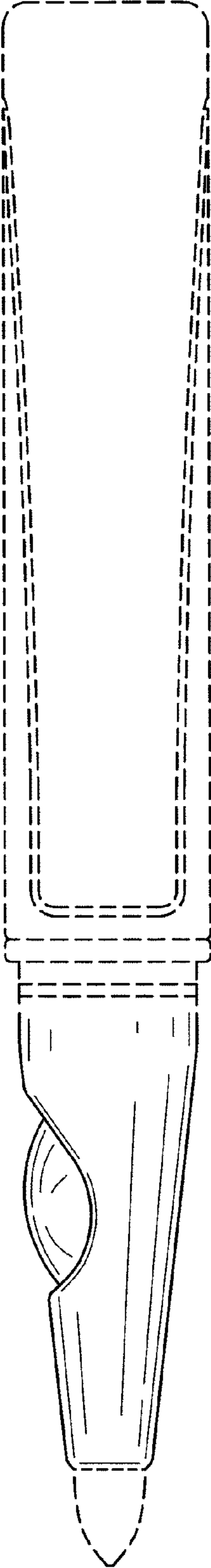


FIG. 3

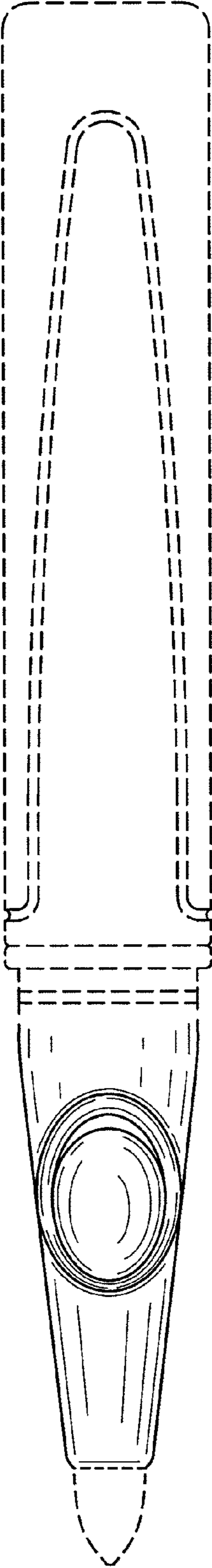


FIG. 4



FIG. 5

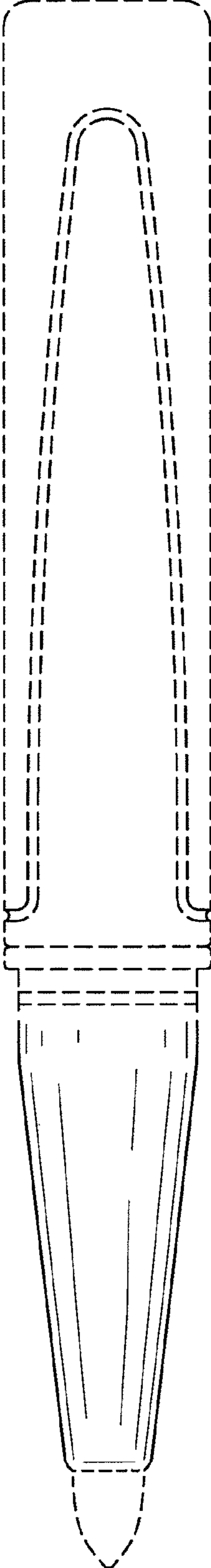


FIG. 7

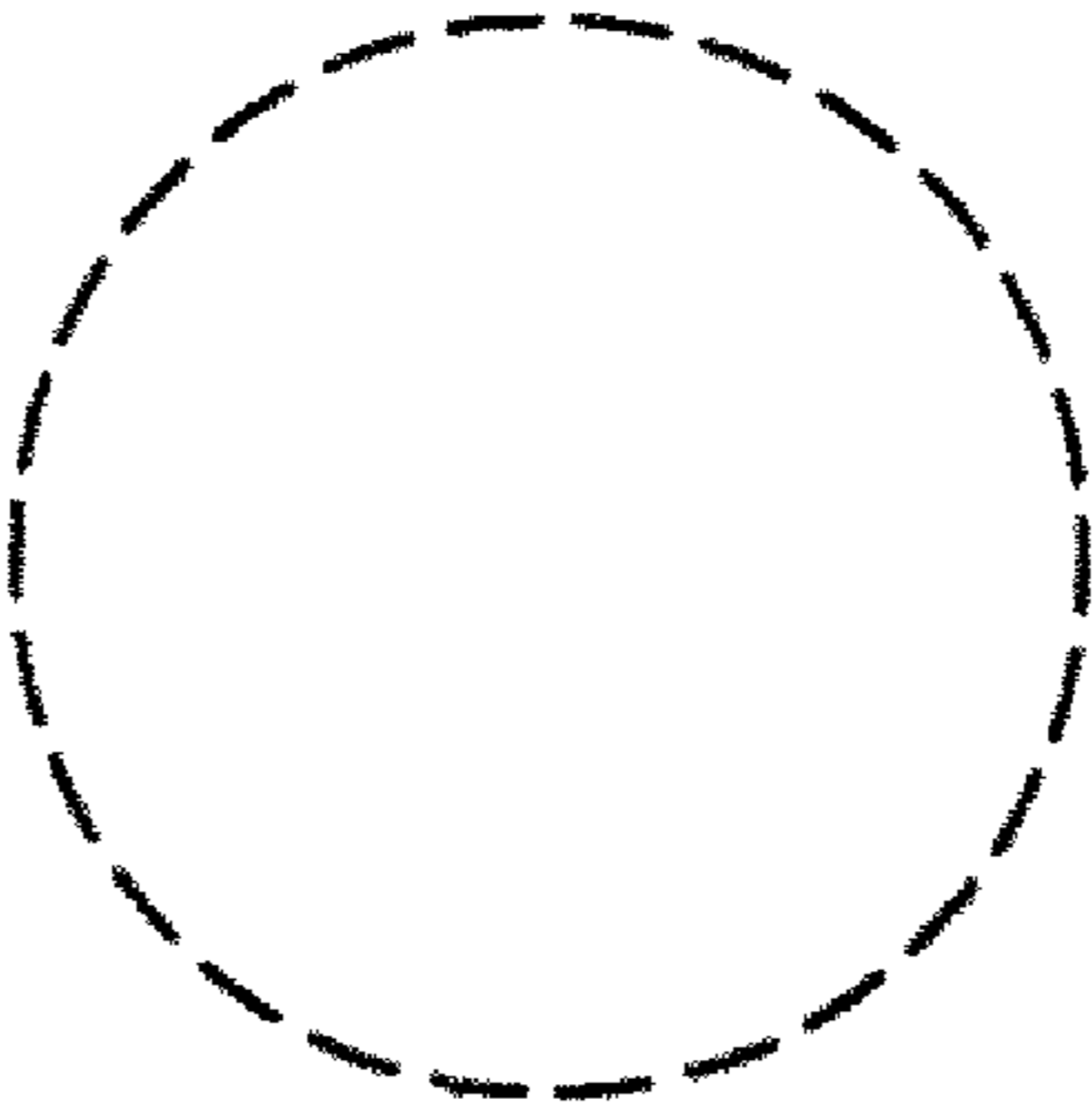
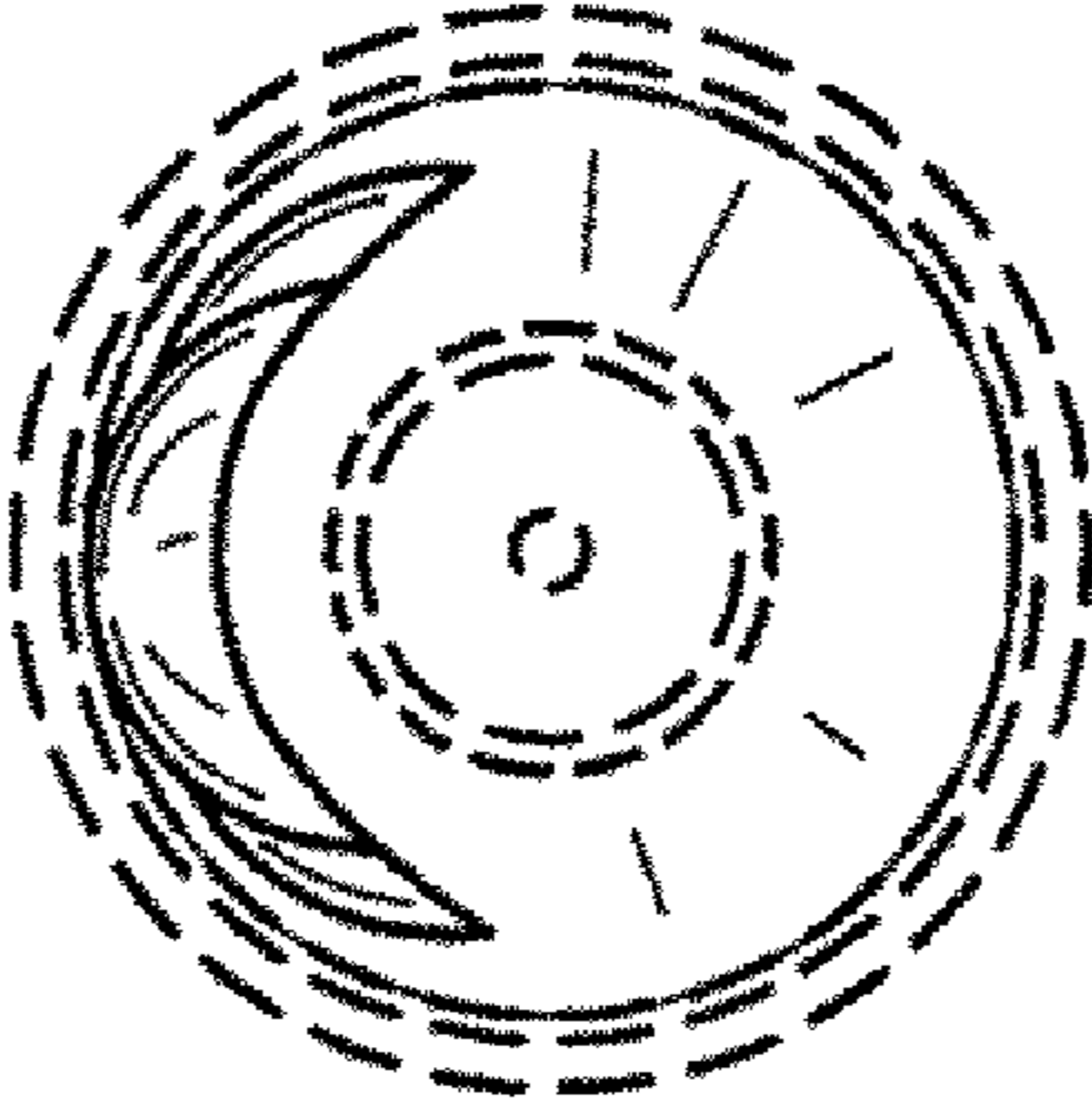


FIG. 6



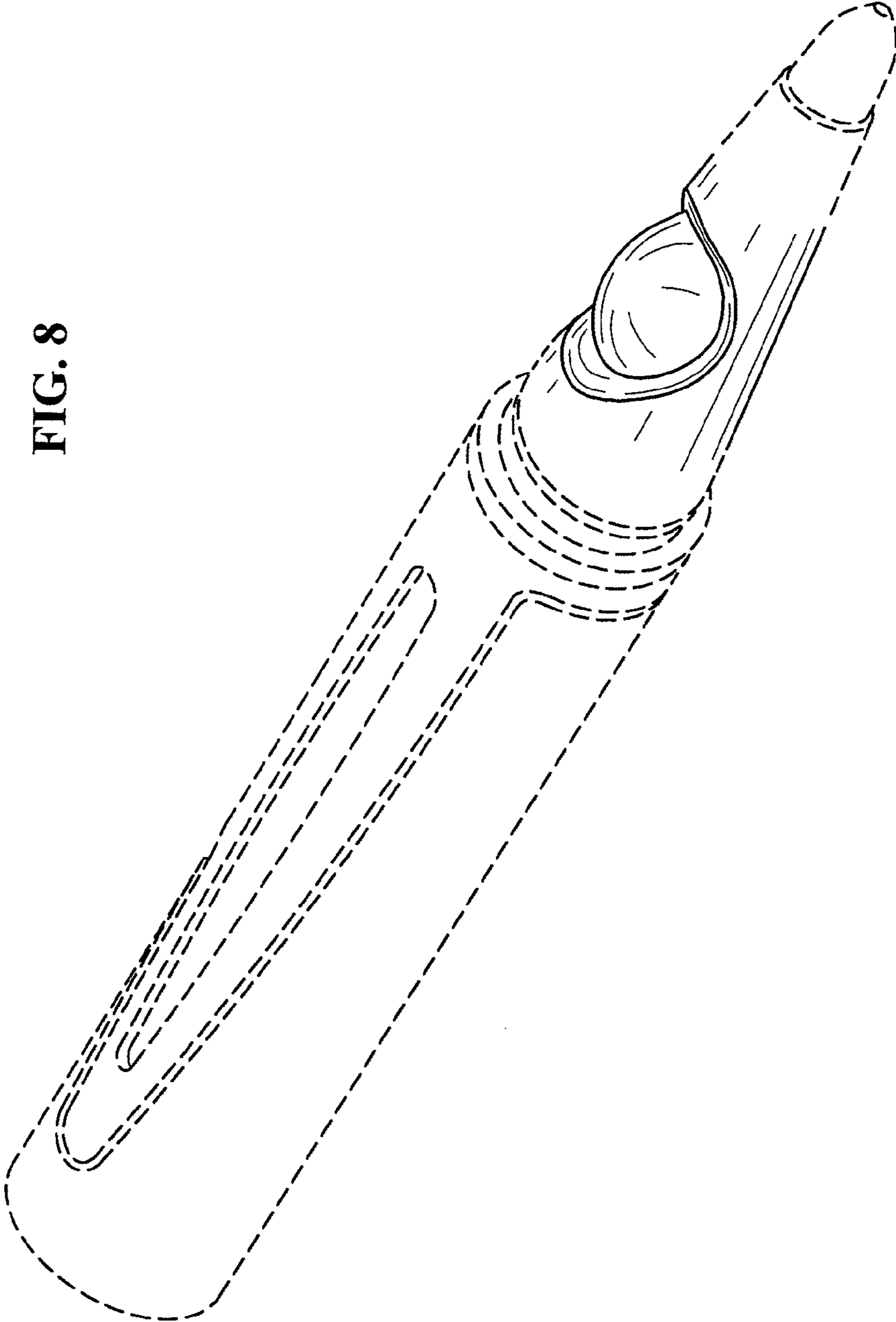


FIG. 8

FIG. 9

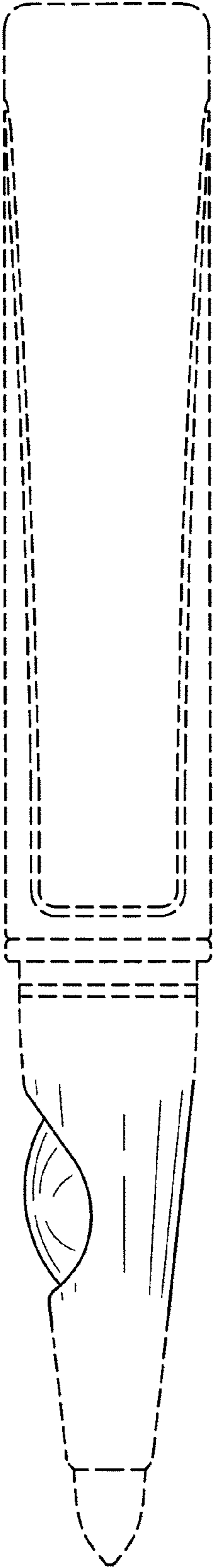


FIG. 10

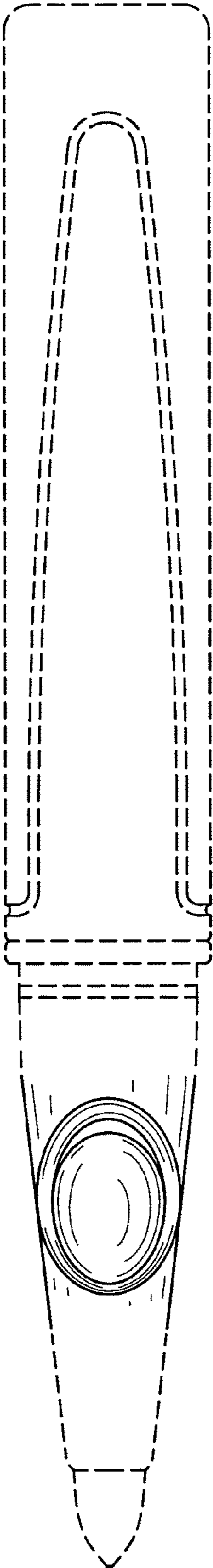


FIG. 11

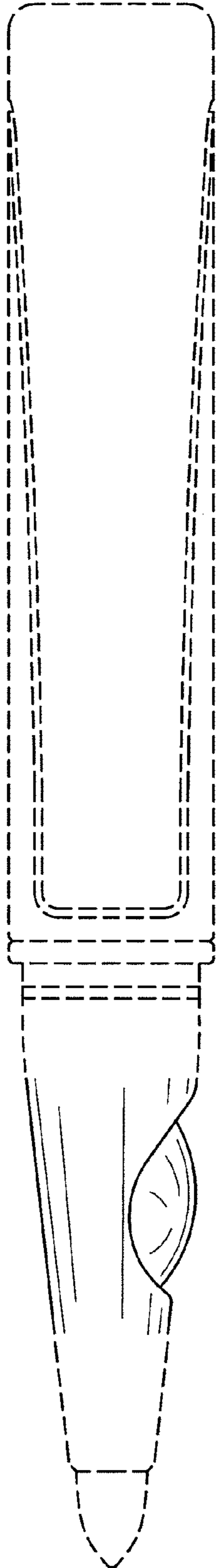


FIG. 12

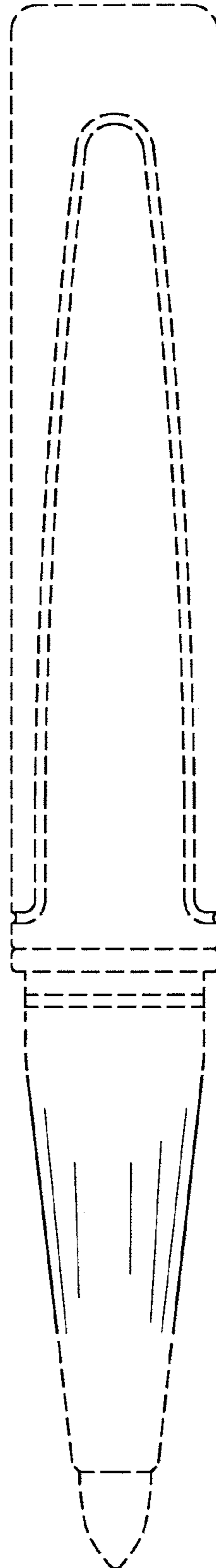


FIG. 14

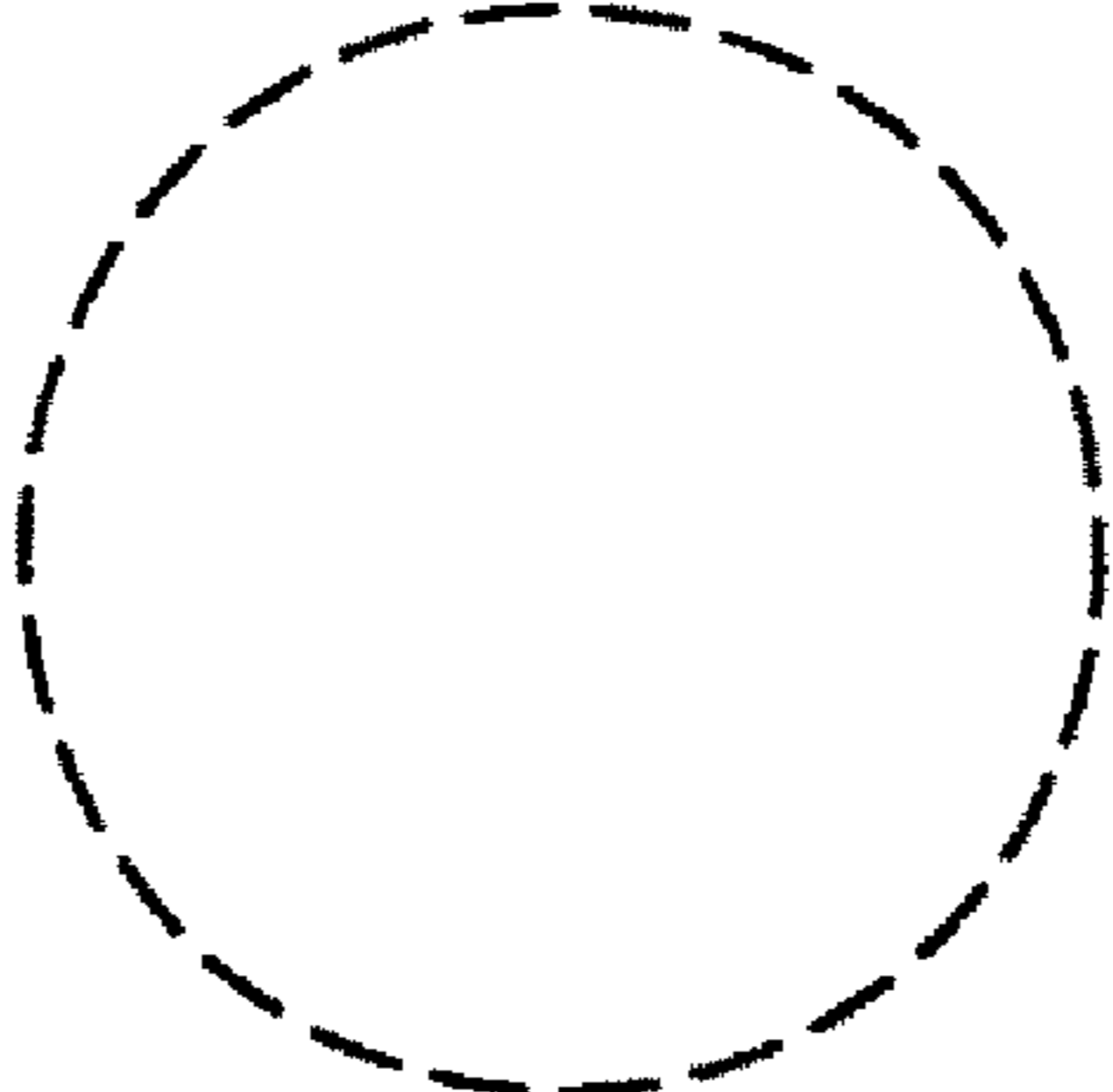


FIG. 13

