



US00D625190S

(12) **United States Design Patent**  
**Pontes**

(10) **Patent No.:** **US D625,190 S**  
(45) **Date of Patent:** **\*\* Oct. 12, 2010**

(54) **PROTECTIVE SEAL FOR USE IN CANS OR THE LIKE FOR PACKAGING BEVERAGES OR THE LIKE**

D359,451 S 6/1995 Dees  
D359,685 S 6/1995 Luch

(Continued)

(75) Inventor: **Jacques Pontes**, São Paulo (BR)

FOREIGN PATENT DOCUMENTS

(73) Assignee: **CBE-Companhia Brasileira De Embalagens S/A**, Sao Paulo (BR)

DE 43 13 375 A1 11/1993

(Continued)

(\*\*) Term: **14 Years**

OTHER PUBLICATIONS

(21) Appl. No.: **29/345,589**

U.S. Appl. No. 12/302,315; In re: Pontes; entitled *Temperature Indicating Device to be Used in Beverage Holding Containers, and, the Containers.*

(22) Filed: **Oct. 19, 2009**

(Continued)

**Related U.S. Application Data**

(63) Continuation-in-part of application No. 29/328,937, filed on Dec. 4, 2008, now Pat. No. Des. 608,638.

*Primary Examiner*—Susan Bennett Hattan

(74) *Attorney, Agent, or Firm*—Alston & Bird LLP

(51) **LOC (9) Cl.** ..... **09-07**

(52) **U.S. Cl.** ..... **D9/454; D9/444**

(58) **Field of Classification Search** ..... D9/529,  
D9/521, 454, 452, 447, 445, 435, 530, 453,  
D9/724, 448, 538, 438; 220/200, 806, 716,  
220/258.2, 257.1; 215/200, 261, 260; 222/520,  
222/521, 212

See application file for complete search history.

(57) **CLAIM**

I claim the ornamental design for a protective seal for use in cans or the like for packaging beverages or the like, as shown and described.

**DESCRIPTION**

FIG. 1 is a right side elevation view of a protective seal for use in cans or the like for packaging beverages or the like showing my new design;

FIG. 2 is a front elevation view thereof;

FIG. 3 is a top plan view thereof;

FIG. 4 is a left side elevation view thereof;

FIG. 5 is a rear elevation view thereof;

FIG. 6 is a bottom plan view thereof.

FIG. 7 is an enlarged perspective view thereof; and,

FIG. 8 is another enlarged perspective view thereof.

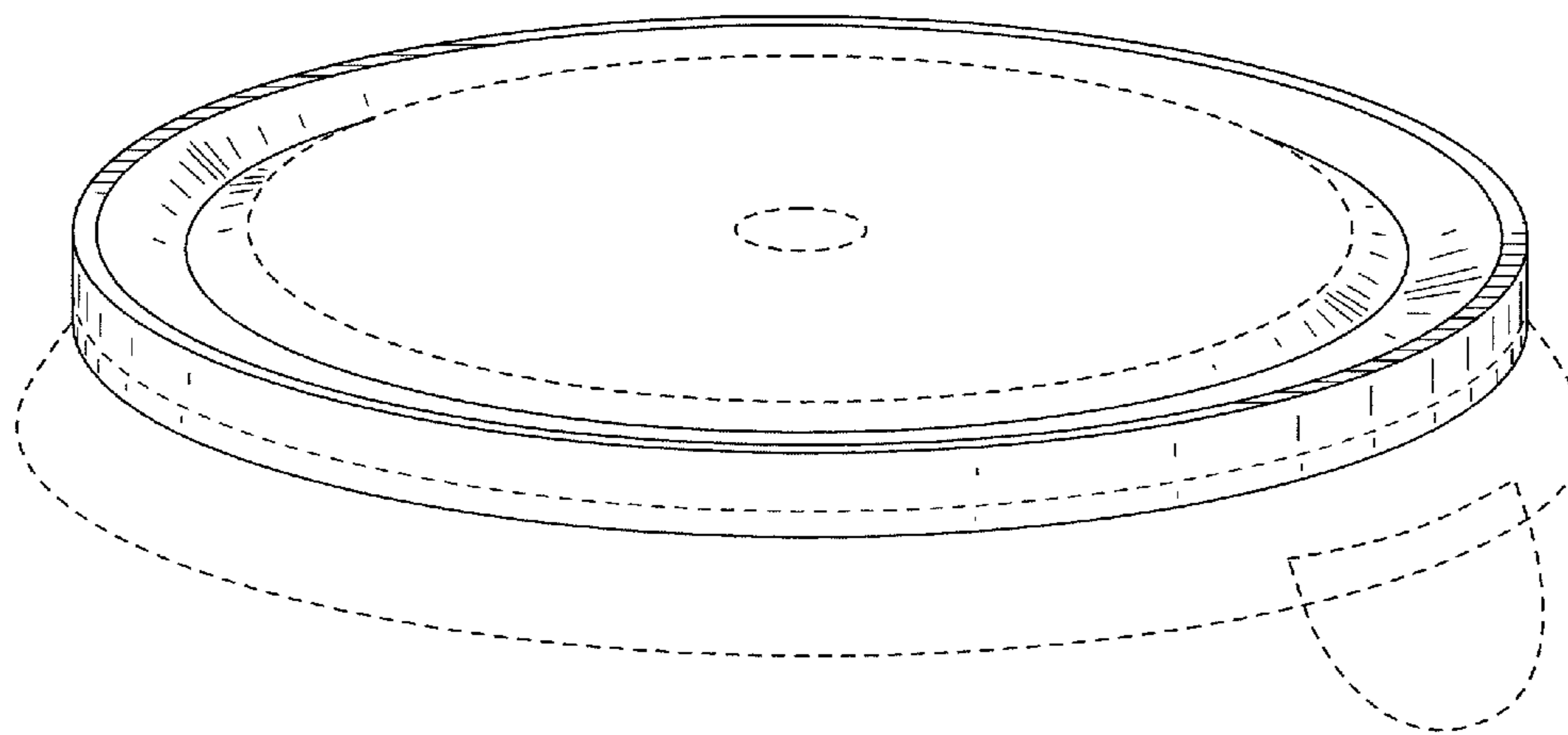
The broken lines immediately adjacent solid lines represent bounds of the claimed design and environment while all other broken lines are directed to environment and are for illustrative purposes only. The broken lines form no part of the claimed design.

(56) **References Cited**

U.S. PATENT DOCUMENTS

- 3,013,687 A 12/1961 Gould
- D192,539 S 4/1962 Terwilliger
- 3,339,792 A \* 9/1967 Biglin ..... 220/782
- D244,065 S 4/1977 Daenen
- D248,216 S 6/1978 Allen et al.
- 4,166,552 A 9/1979 Faulstich
- D258,576 S \* 3/1981 Smith ..... D9/452
- D271,945 S \* 12/1983 Ochs ..... D9/452
- D286,026 S 10/1986 Rayner
- D291,971 S 9/1987 Smith
- 5,139,163 A 8/1992 Diaz
- 5,213,224 A 5/1993 Luch
- 5,346,088 A 9/1994 Brimo, II
- D353,328 S \* 12/1994 Nuffer ..... D9/446

**1 Claim, 4 Drawing Sheets**



# US D625,190 S

Page 2

## U.S. PATENT DOCUMENTS

5,452,818 A 9/1995 Yost  
D381,267 S \* 7/1997 Rush et al. .... D9/452  
D381,906 S 8/1997 Bartsch  
D389,058 S 1/1998 Landis  
D415,420 S 10/1999 Chen  
D419,447 S 1/2000 Molloy  
6,015,059 A \* 1/2000 Takayama ..... 220/257.2  
D425,422 S 5/2000 David  
6,073,797 A 6/2000 Barous  
6,082,567 A 7/2000 Bietzer et al.  
D436,862 S 1/2001 Witt et al.  
D445,030 S 7/2001 Croft et al.  
D445,687 S 7/2001 Gilbertson  
D447,056 S 8/2001 Caserta  
D448,291 S 9/2001 Melhede  
D462,269 S 9/2002 Hunter et al.  
6,443,323 B1 9/2002 DeRose  
D468,002 S 12/2002 Steffan  
D489,005 S 4/2004 Miceli et al.  
D489,610 S 5/2004 Miceli et al.  
D489,620 S 5/2004 Goodell et al.  
D492,596 S 7/2004 Miceli et al.  
D495,600 S 9/2004 Kouri  
D501,793 S 2/2005 Carmichael et al.  
D503,620 S 4/2005 Taylor  
D504,066 S 4/2005 King  
D509,748 S 9/2005 Carmichael et al.  
D512,636 S 12/2005 Pace  
D515,429 S 2/2006 Pace

D517,408 S 3/2006 Gonzalez  
D534,799 S 1/2007 Henry et al.  
D543,857 S 6/2007 Shu  
D547,652 S 7/2007 Kerman et al.  
D550,078 S 9/2007 Henry et al.  
D564,356 S 3/2008 Nickleberry  
D576,877 S 9/2008 Alcamo et al.  
D584,613 S 1/2009 Yan et al.  
D604,614 S \* 11/2009 Janboecke ..... D9/454  
D608,638 S 1/2010 Pontes  
D609,091 S 2/2010 Dubach  
D614,952 S 5/2010 Caserta  
2009/0320741 A1 12/2009 Pontes

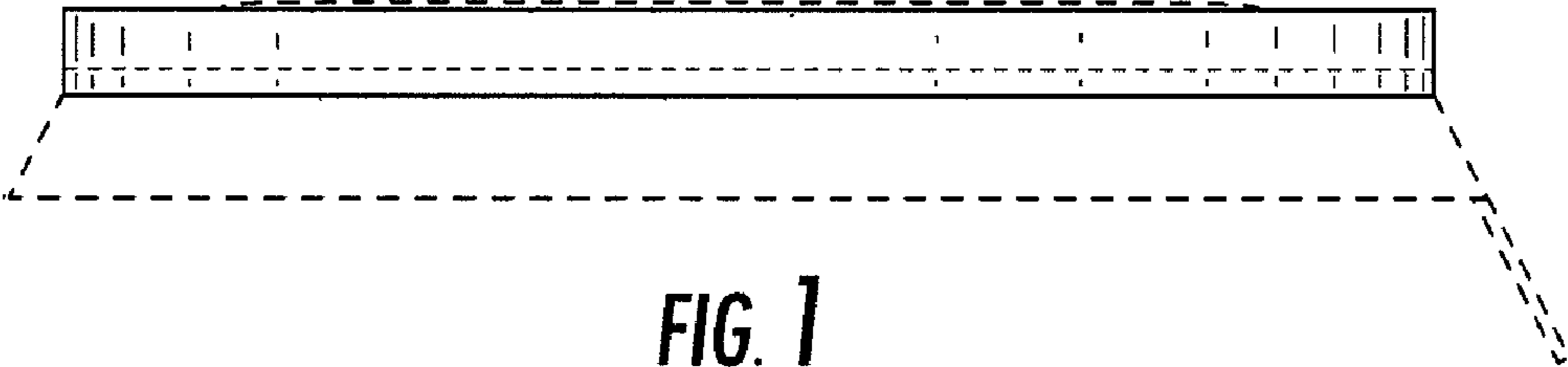
## FOREIGN PATENT DOCUMENTS

GR 1004381 B1 11/2003  
JP 3148492 A 6/1991  
MU 8301816-6 U 4/2005  
MU 8303346-7 U 7/2005  
MU 8501669-1 U 12/2005  
WO WO 01/15990 A1 3/2001

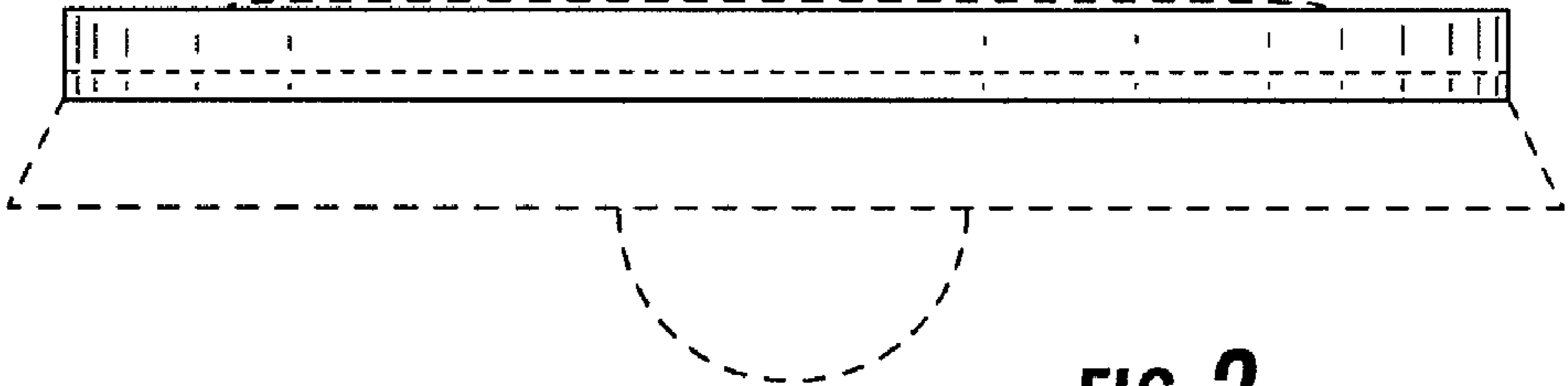
## OTHER PUBLICATIONS

U.S. Appl. No. 29/328,937, In re: Pontes; entitled *Configuration Applied to a Protective Seal for Use in Cans or the Like for Packaging Beverages or the Like*.  
U.S. Appl. No. 12/603,886, filed Oct. 22, 2009; In re: Pontes; entitled *Protective Seal Applied to a Beverage Can an a Process of Applying a Protective Seal to Beverage Cans After Canning the Beverage*.

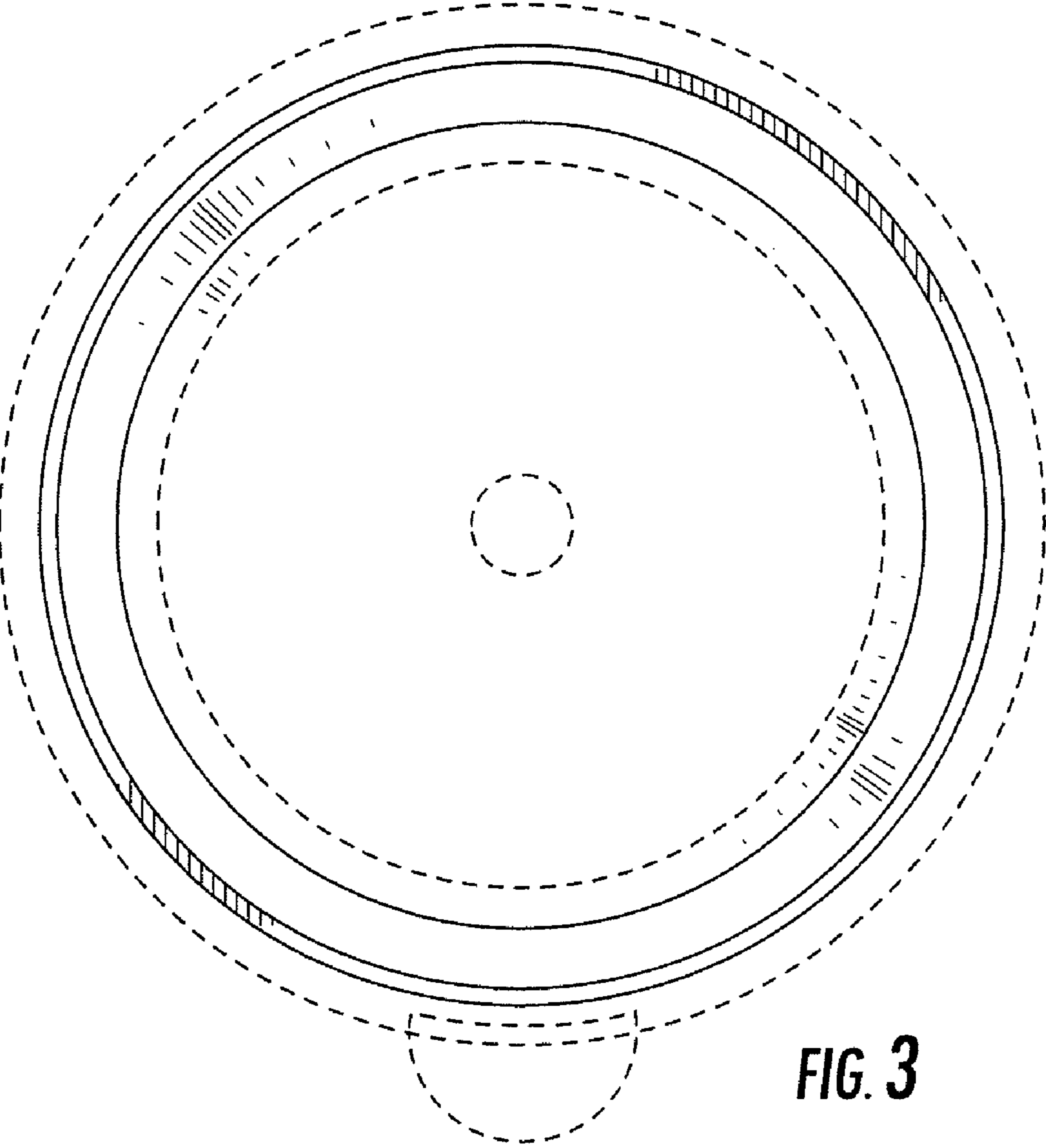
\* cited by examiner



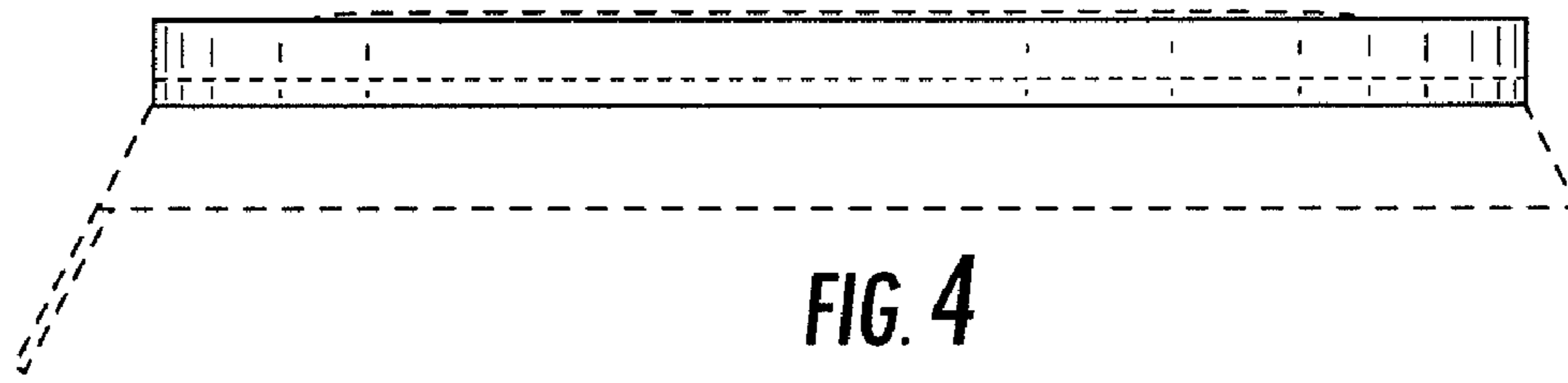
**FIG. 1**



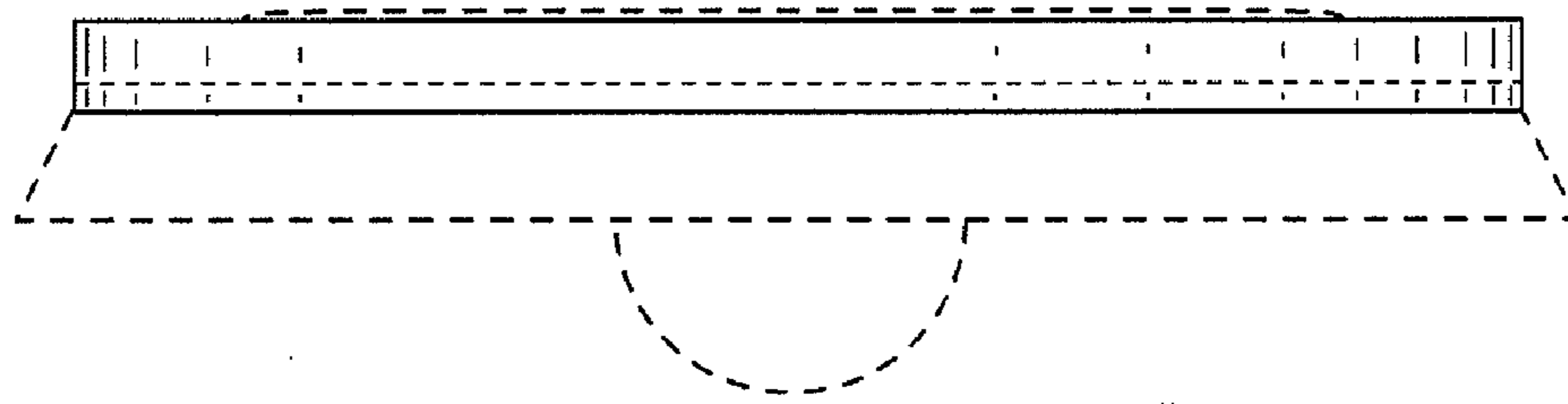
**FIG. 2**



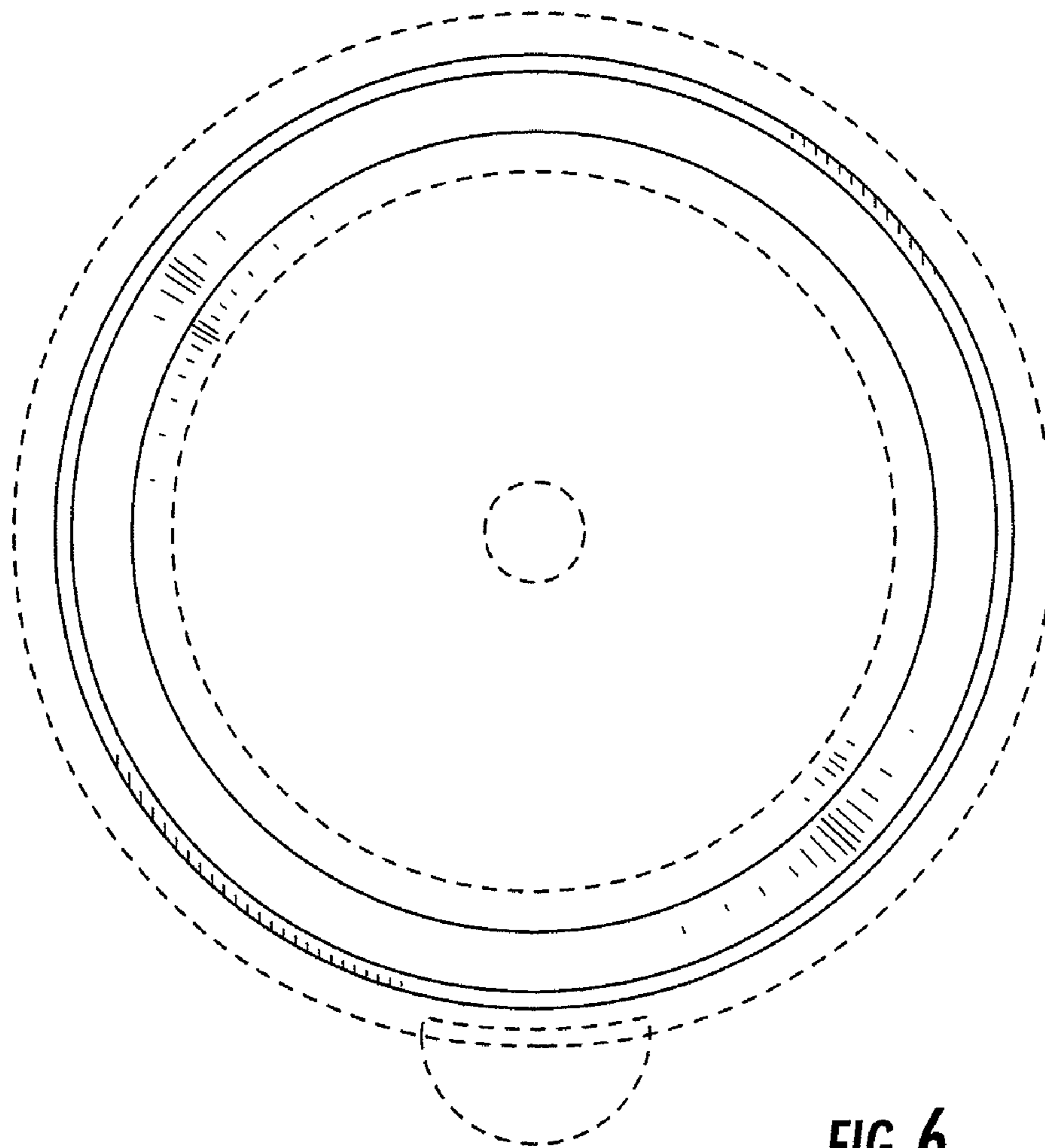
**FIG. 3**



**FIG. 4**



**FIG. 5**



**FIG. 6**

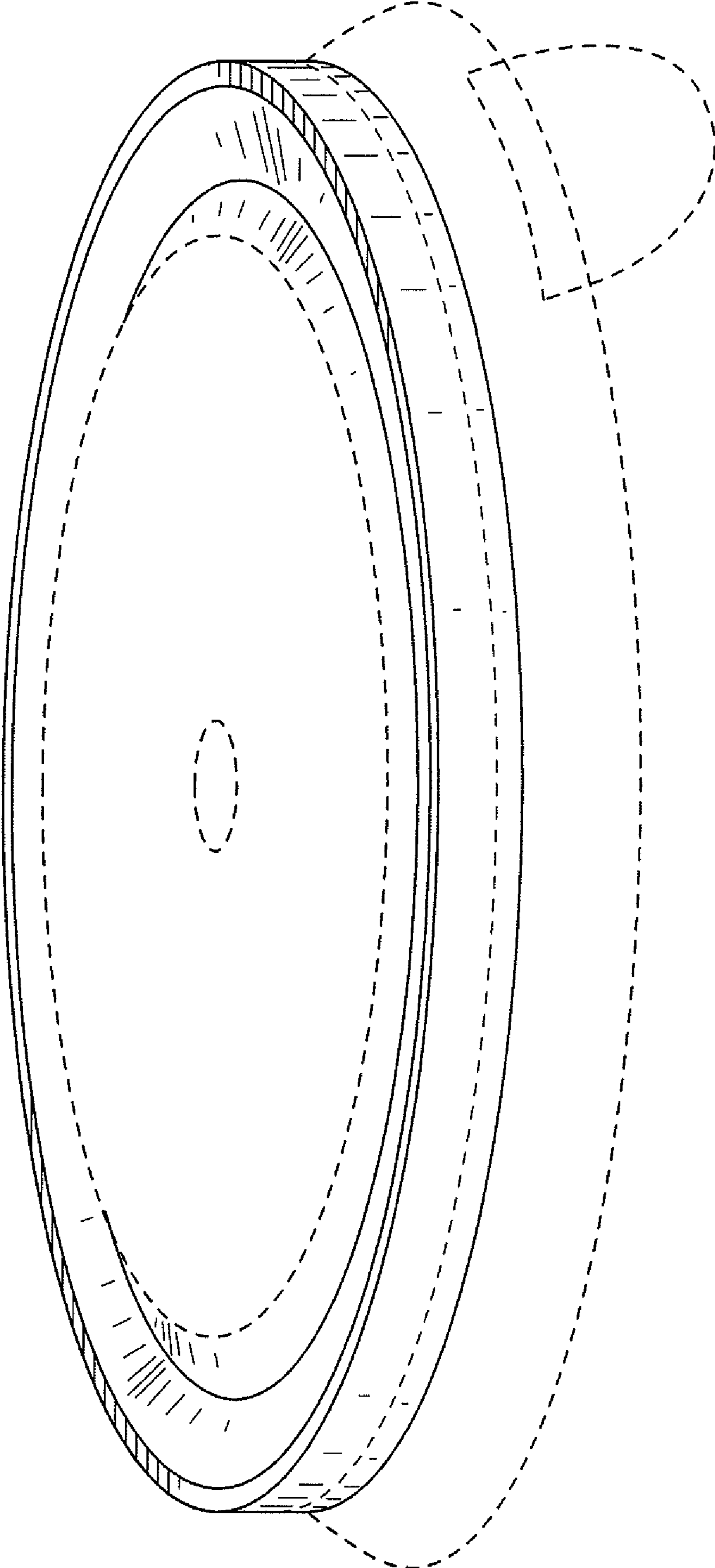


FIG. 7

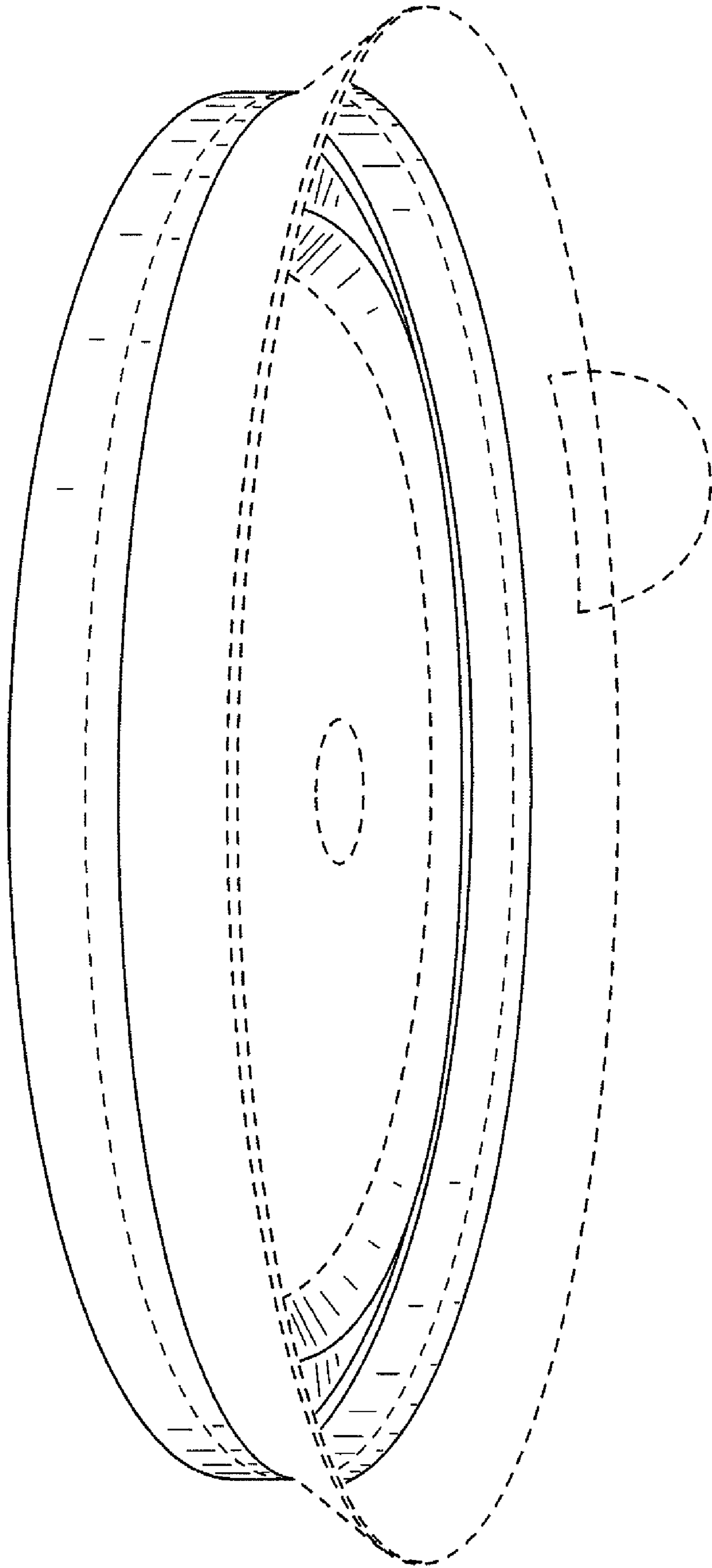


FIG. 8