



US00D625188S

(12) **United States Design Patent**
Rech

(10) **Patent No.:** **US D625,188 S**
(45) **Date of Patent:** **** Oct. 12, 2010**

(54) **SPRAYING DEVICE FOR BOTTLES**
(75) Inventor: **Gilberto Rech**, Rossano Veneto (IT)
(73) Assignee: **Spray Plast S.p.A.**, Romano d'Ezzelino (VI) (IT)
(**) Term: **14 Years**
(21) Appl. No.: **29/345,992**
(22) Filed: **Oct. 23, 2009**

(30) **Foreign Application Priority Data**
Apr. 28, 2009 (EM) 001130249
(51) **LOC (9) Cl.** **09-07**
(52) **U.S. Cl.** **D9/448**
(58) **Field of Classification Search** D9/456,
D9/455, 448, 447, 445, 438, 434, 763, 772;
D7/605, 387, 213; D3/211, 207; D23/226;
40/307; 239/333, 331; 222/635, 631, 566,
222/321.9, 321.8, 321.7, 320, 251; 220/915,
220/269, 268, 258.5
See application file for complete search history.

(56) **References Cited**
U.S. PATENT DOCUMENTS
D400,102 S * 10/1998 Tada D9/448
D409,487 S * 5/1999 Wadsworth et al. D9/448
D409,918 S * 5/1999 Wadsworth et al. D9/448
6,332,562 B1 * 12/2001 Sweeton 222/383.1
6,364,171 B1 * 4/2002 Chalupsky et al. 222/321.8
D494,866 S * 8/2004 Guala D9/448

D521,864 S * 5/2006 Cartoni D9/448
D582,768 S * 12/2008 Cantoni et al. D9/448
D582,769 S * 12/2008 Turchi D9/448
D582,770 S * 12/2008 Turchi D9/448
D582,771 S * 12/2008 Cantoni D9/448
D583,233 S * 12/2008 Cantoni et al. D9/448
D587,574 S * 3/2009 Cantoni et al. D9/448
D596,938 S * 7/2009 Broadbent D9/448
D601,897 S * 10/2009 Contiero D9/448
2008/0272152 A1 * 11/2008 Alluigi 222/321.8

* cited by examiner

Primary Examiner—Susan Bennett Hattan
(74) *Attorney, Agent, or Firm*—Young & Thompson

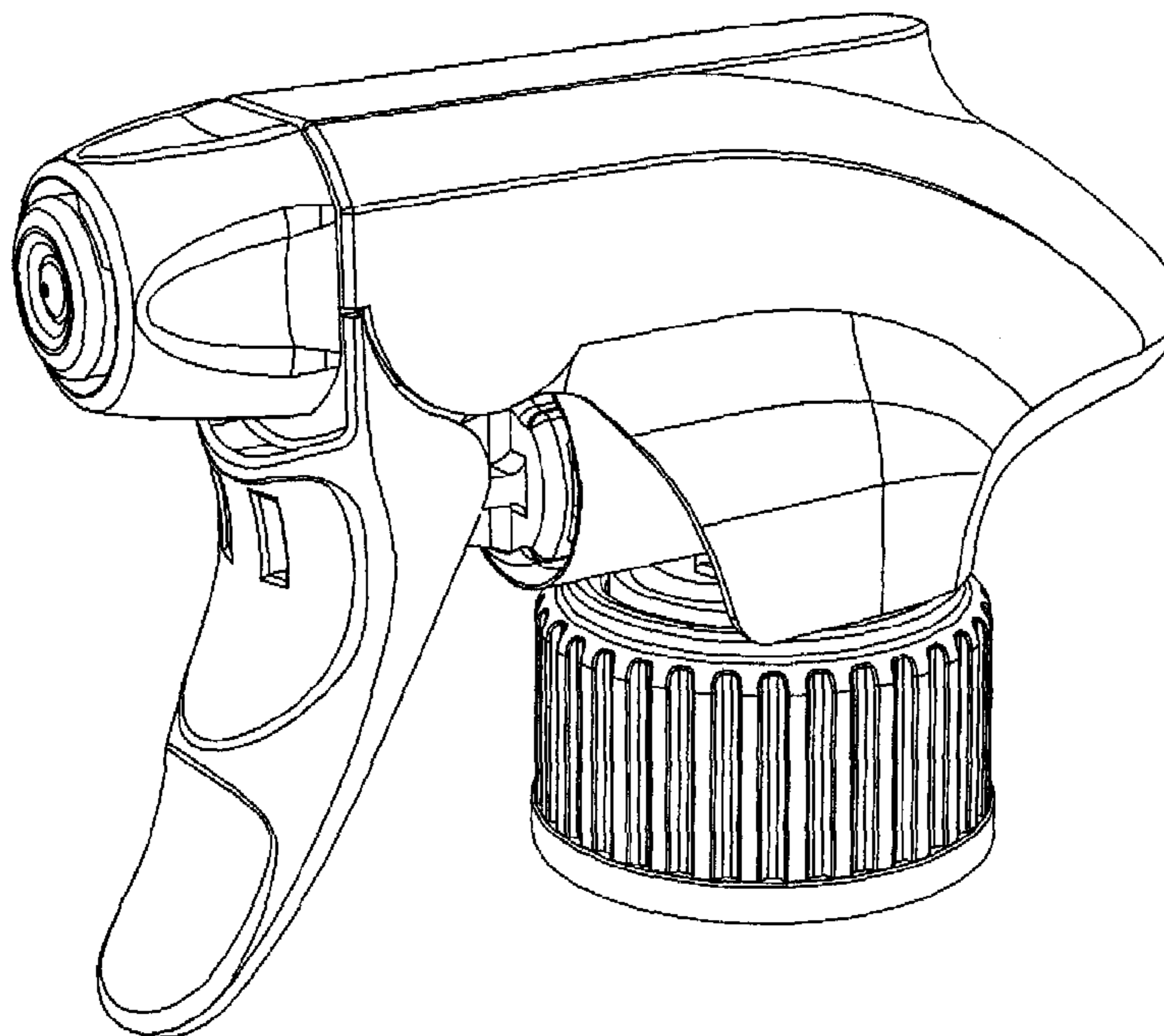
(57) **CLAIM**

The ornamental design for a “spraying device for bottles,” as shown.

DESCRIPTION

FIG. 1 is a side lateral view of the spraying device for bottles;
FIG. 2 is a front view of the spraying device for bottles;
FIG. 3 is a side lateral view opposite to that of FIG. 1;
FIG. 4 is a rear view of the spraying device for bottles;
FIG. 5 is a top view of the spraying device for bottles;
FIG. 6 is a bottom plan view of the spraying device for bottles;
and,
FIG. 7 is a perspective view of the spraying device for bottles.
The broken lines in the figures depict portions of the spraying device that form no part of the claimed design.

1 Claim, 4 Drawing Sheets



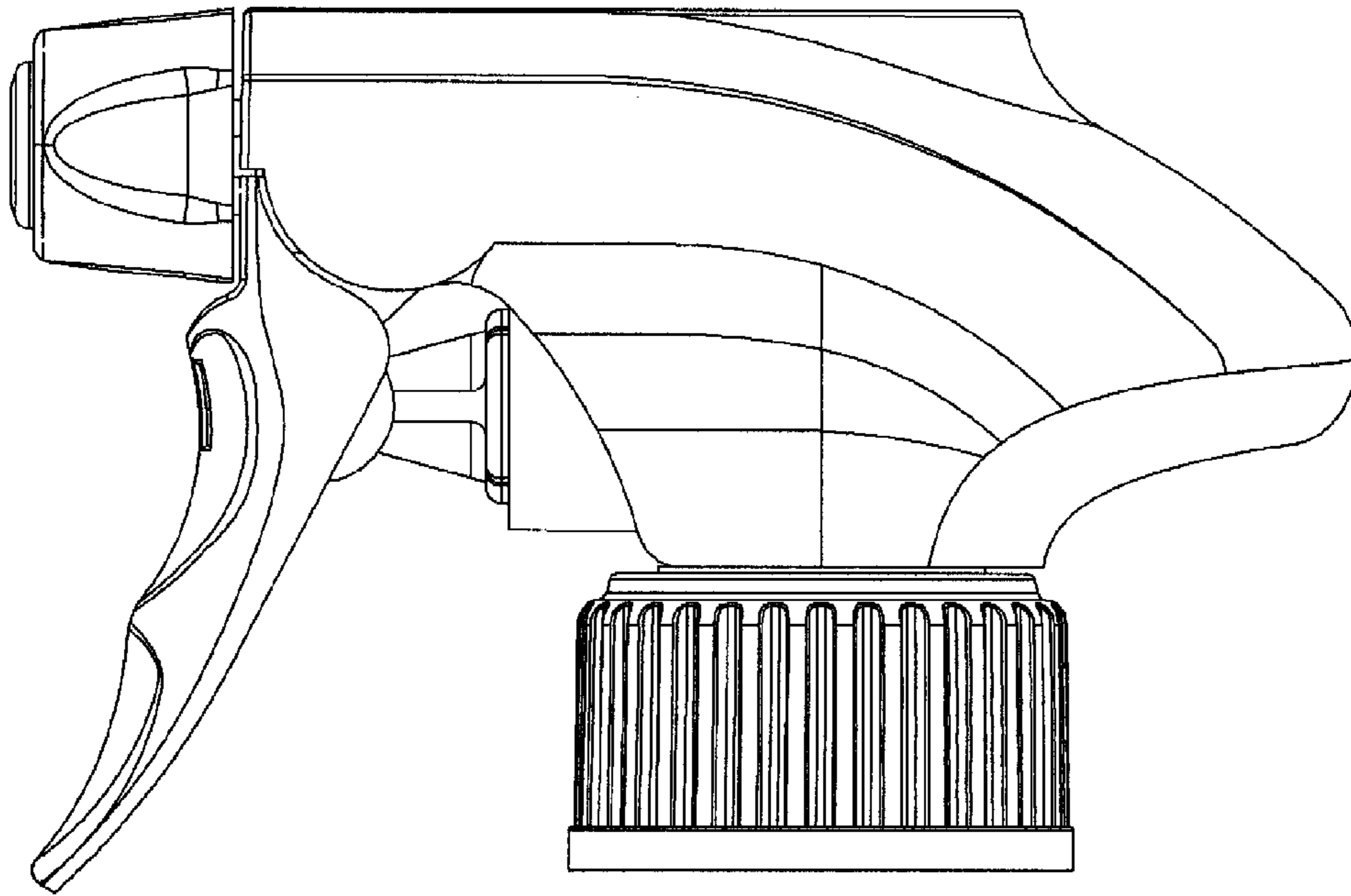


FIGURE 1

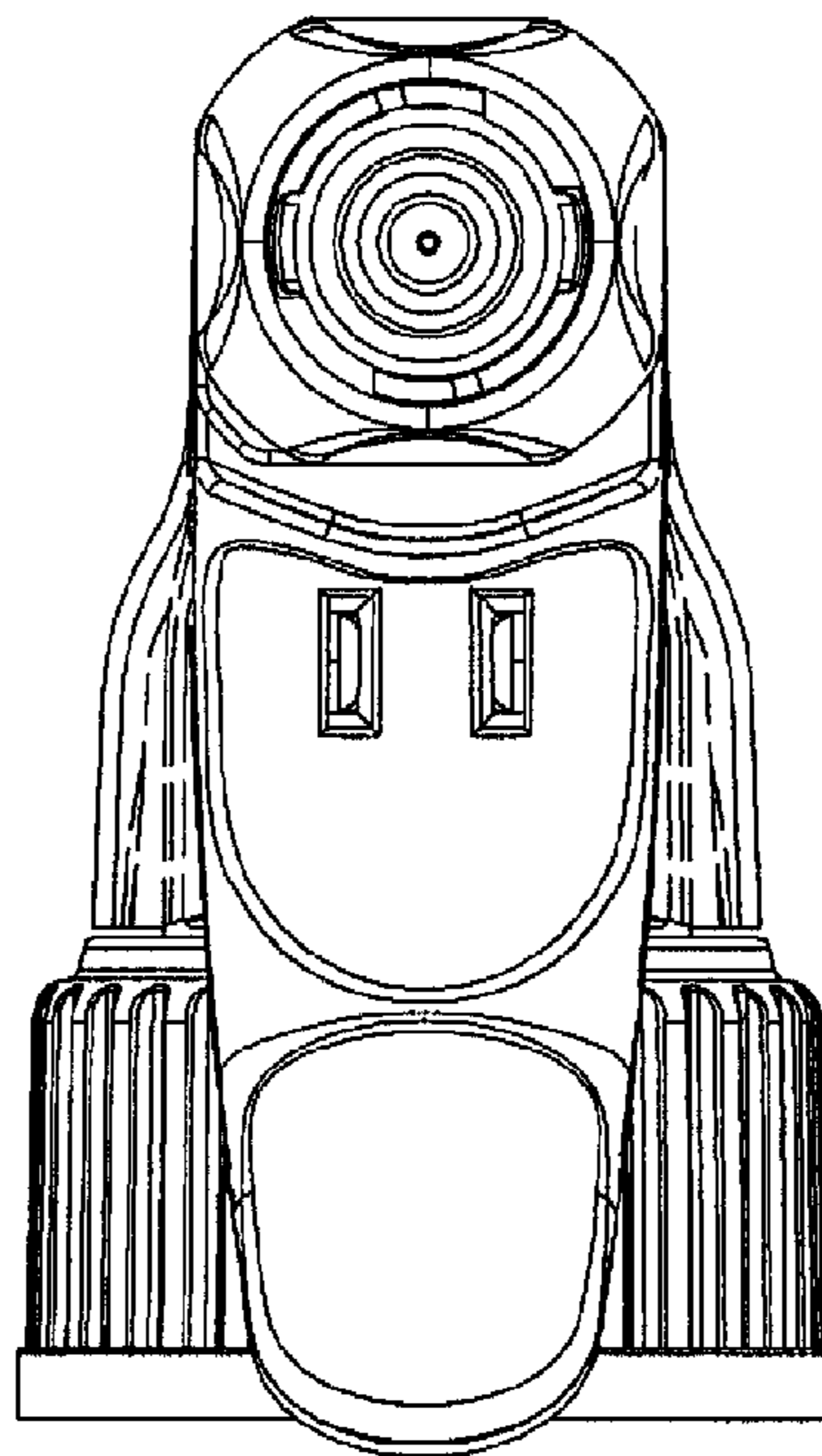


FIGURE 2

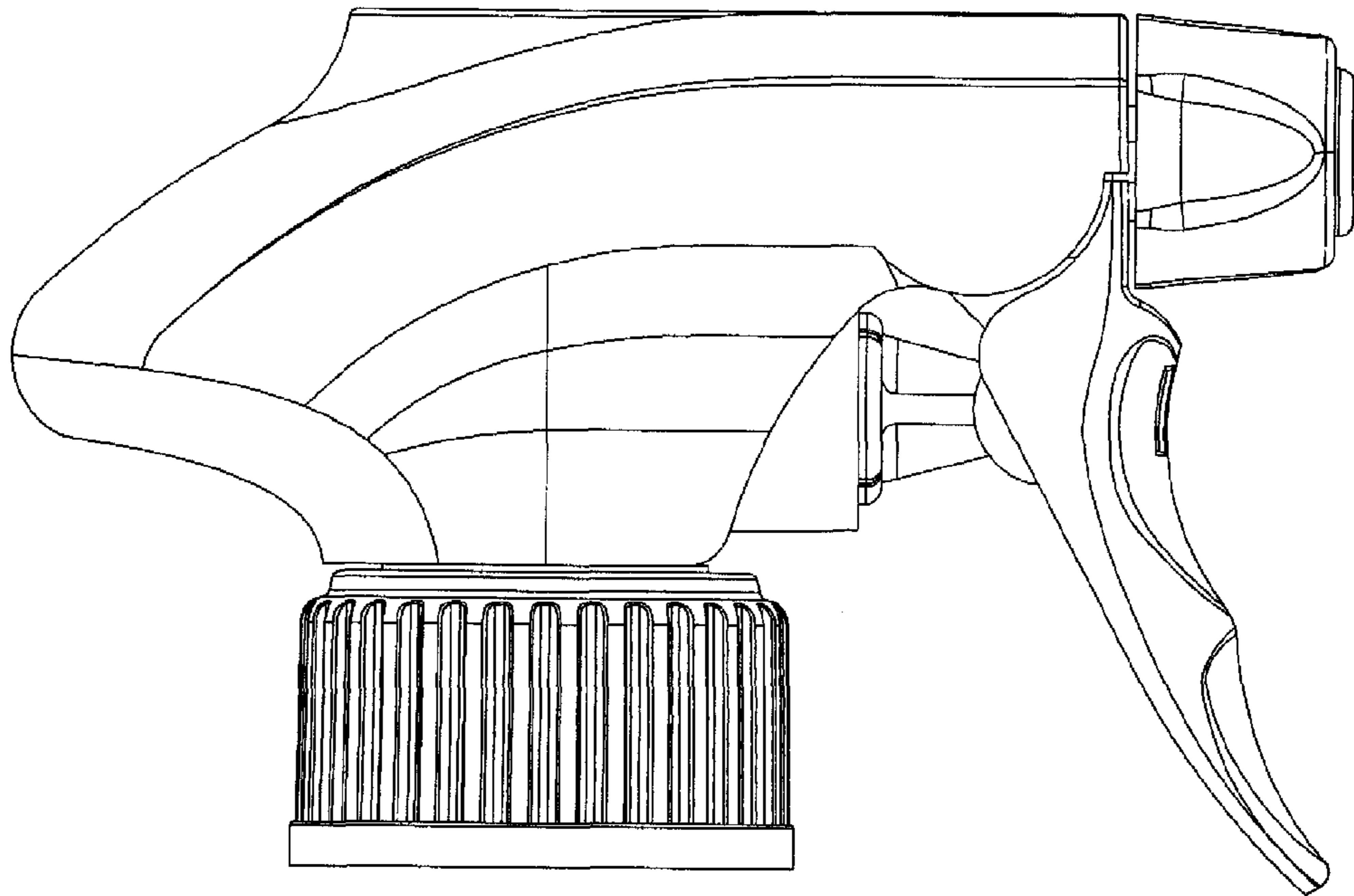


FIGURE 3

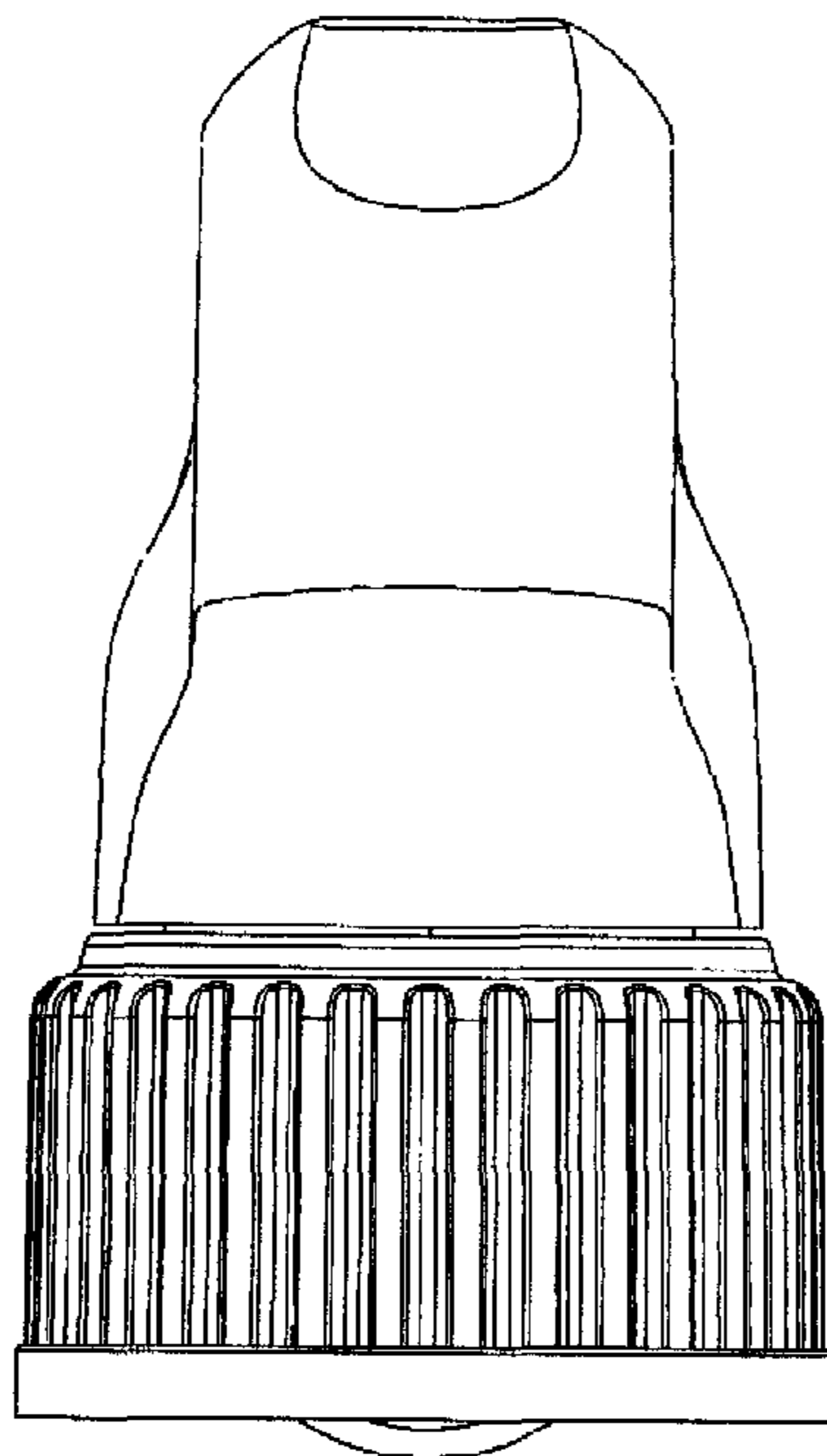


FIGURE 4

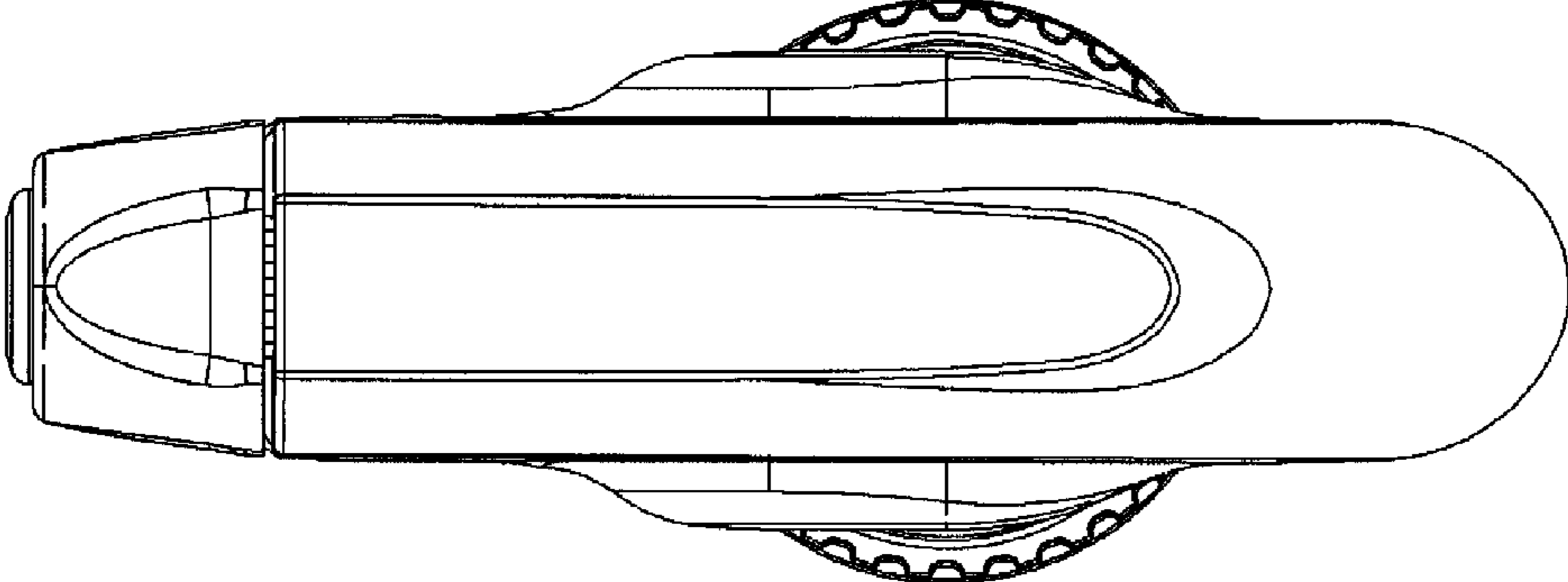


FIGURE 5

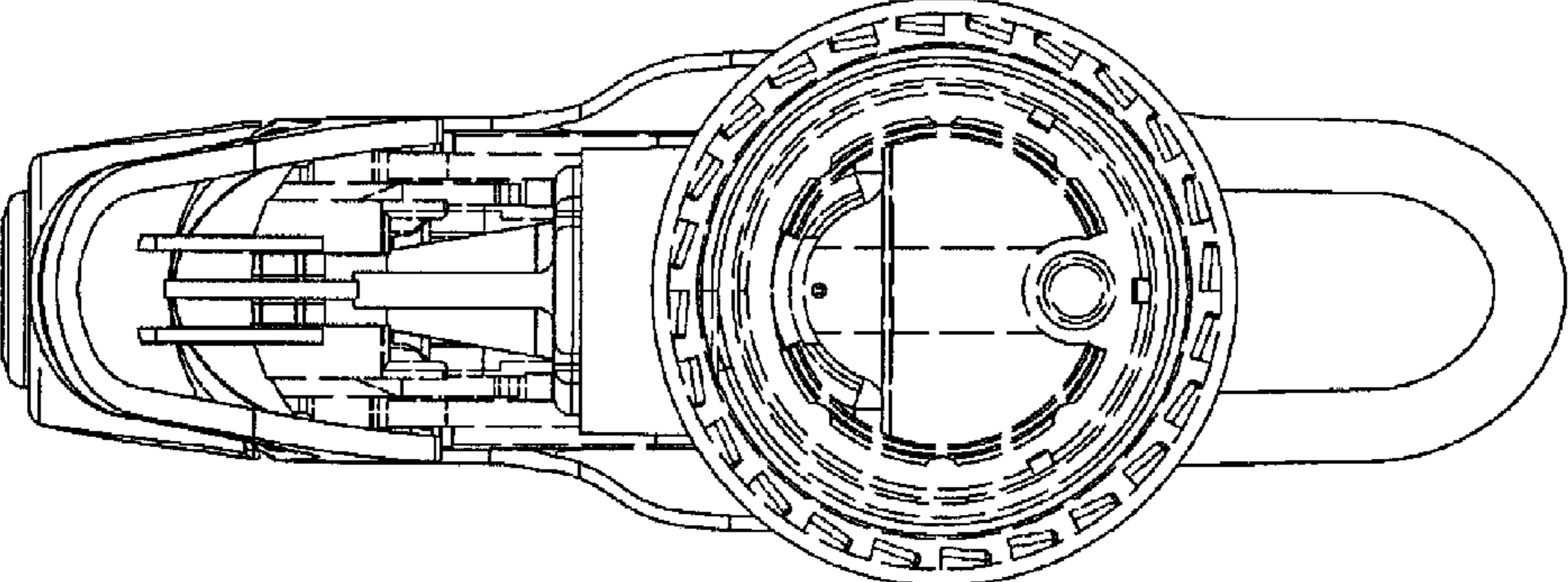


FIGURE 6

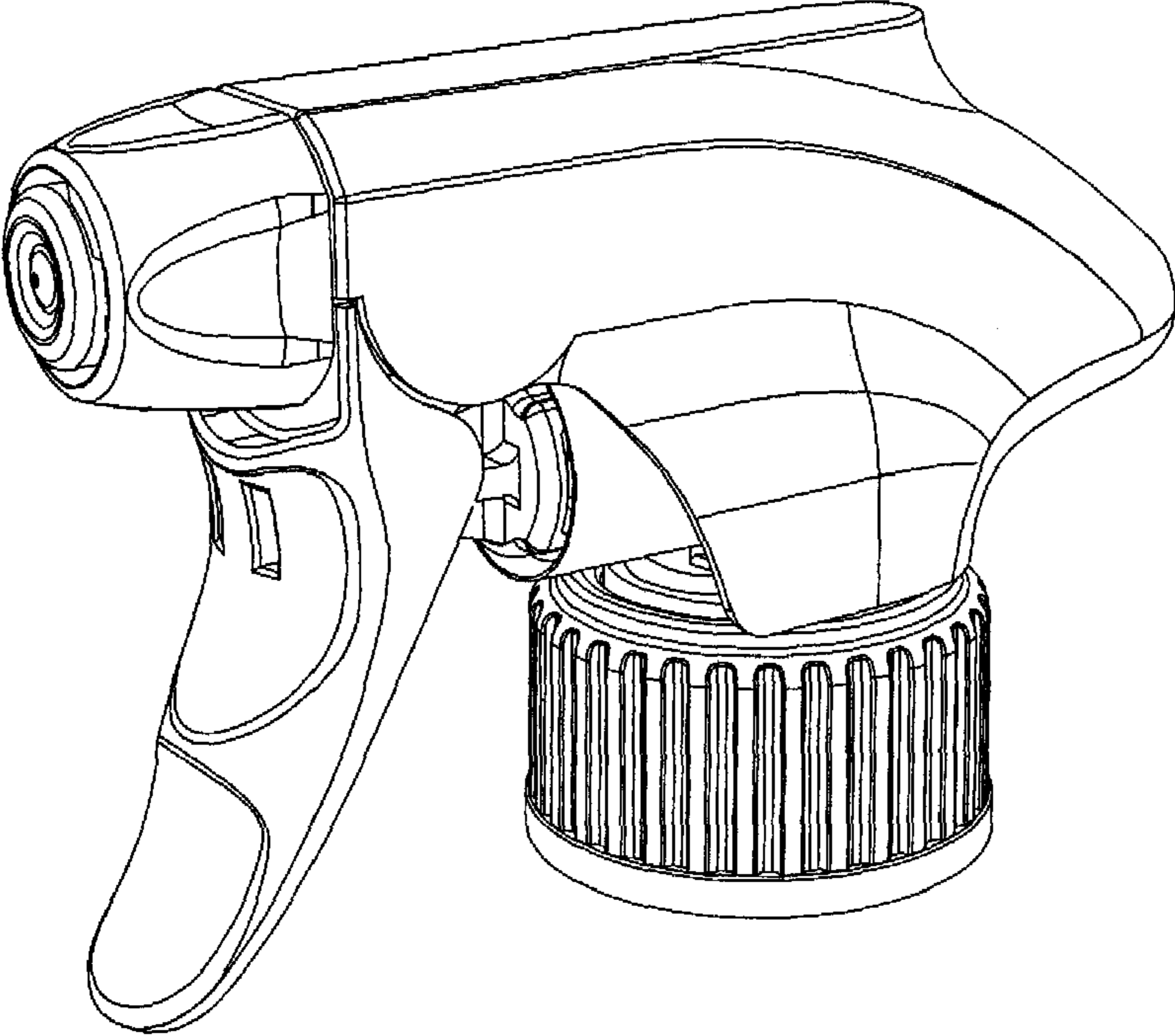


FIGURE 7