



US00D625186S

(12) **United States Design Patent**
Rossignol

(10) **Patent No.:** **US D625,186 S**

(45) **Date of Patent:** **** Oct. 12, 2010**

(54) **SPRAY DEVICE**

(75) Inventor: **Eric Rossignol**, Chalon sur Saone (FR)

(73) Assignee: **Rexam Dispensing SMT**

(**) Term: **14 Years**

(21) Appl. No.: **29/334,355**

(22) Filed: **Mar. 25, 2009**

(30) **Foreign Application Priority Data**

Sep. 26, 2008 (EM) 001009666-0001

(51) **LOC (9) Cl.** **09-07**

(52) **U.S. Cl.** **D9/448**

(58) **Field of Classification Search** D9/456,
D9/455, 448, 447, 445, 438, 434, 763, 772;
D7/605, 387, 213; D3/211, 207; D23/226;
40/307; 239/333, 331; 222/635, 631, 566,
222/321.9, 321.8, 321.7, 320, 251; 220/915,
220/269, 268, 258.5

See application file for complete search history.

(56) **References Cited**

U.S. PATENT DOCUMENTS

D398,232 S * 9/1998 Bakic D9/440
D413,514 S * 9/1999 Pericard et al. D9/448
D414,696 S * 10/1999 Sayers D9/448

D543,106 S * 5/2007 Foster et al. D9/448
D547,182 S * 7/2007 Foster et al. D9/448
D551,076 S * 9/2007 Bloc D9/448
D561,024 S * 2/2008 Altonen et al. D9/448
D567,651 S * 4/2008 Bloc D9/448
D569,247 S * 5/2008 Decottignies D9/448
D596,939 S * 7/2009 Moretti D9/448

* cited by examiner

Primary Examiner—Susan Bennett Hattan

(74) *Attorney, Agent, or Firm*—Dickstein Shapiro LLP

(57) **CLAIM**

The ornamental design for spray device, as shown and described.

DESCRIPTION

FIG. 1 is a perspective view of spray device, showing the new design, including portions of the front, left side and top thereof;

FIG. 2 is a front elevational view thereof;

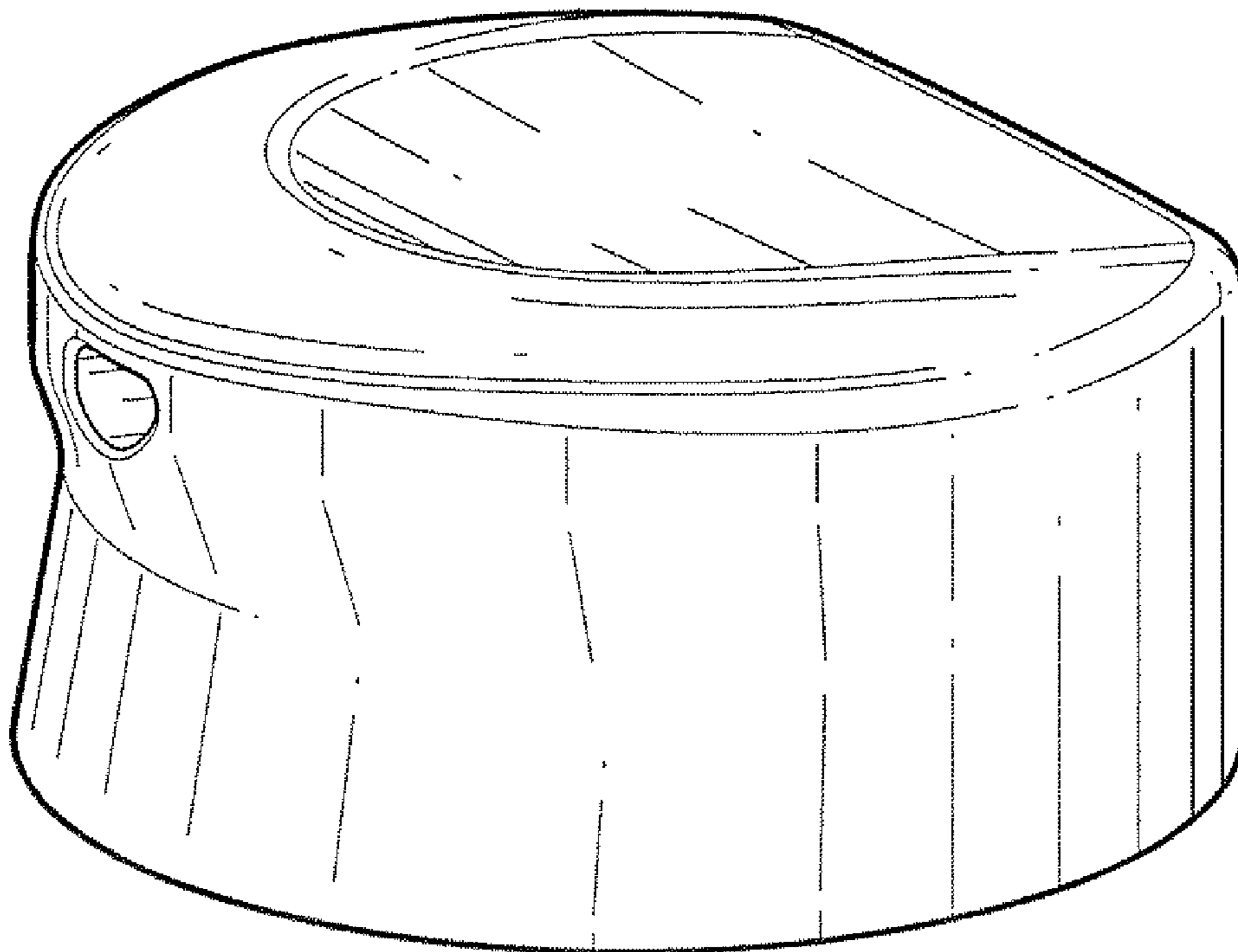
FIG. 3 is a left side view thereof, where the left side view is a mirror image of the right side view thereof;

FIG. 4 is a rear elevational view thereof;

FIG. 5 is a top view thereof; and,

FIG. 6 is another perspective view thereof, showing portions of the rear, right side and top thereof.

1 Claim, 2 Drawing Sheets



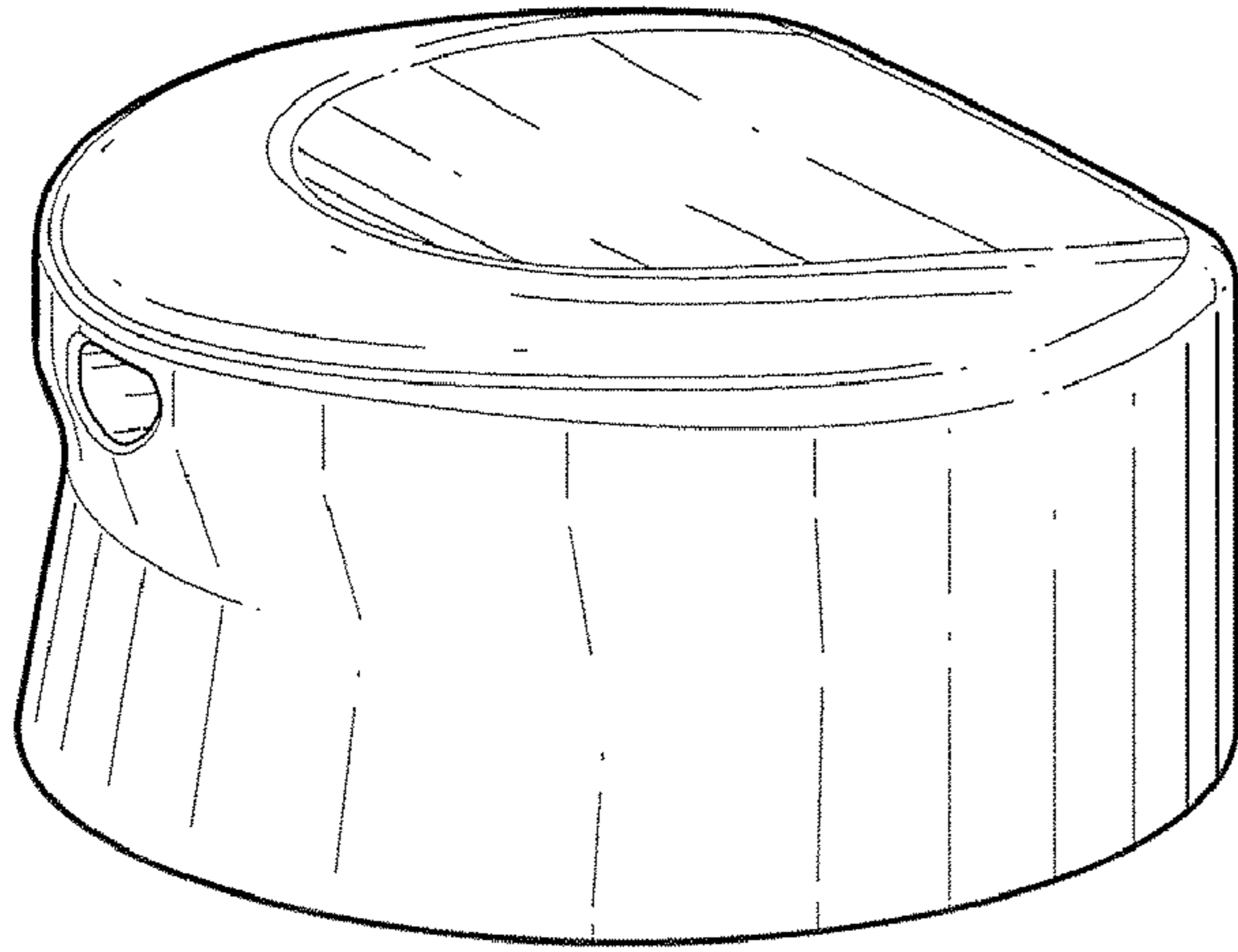


FIG. 1

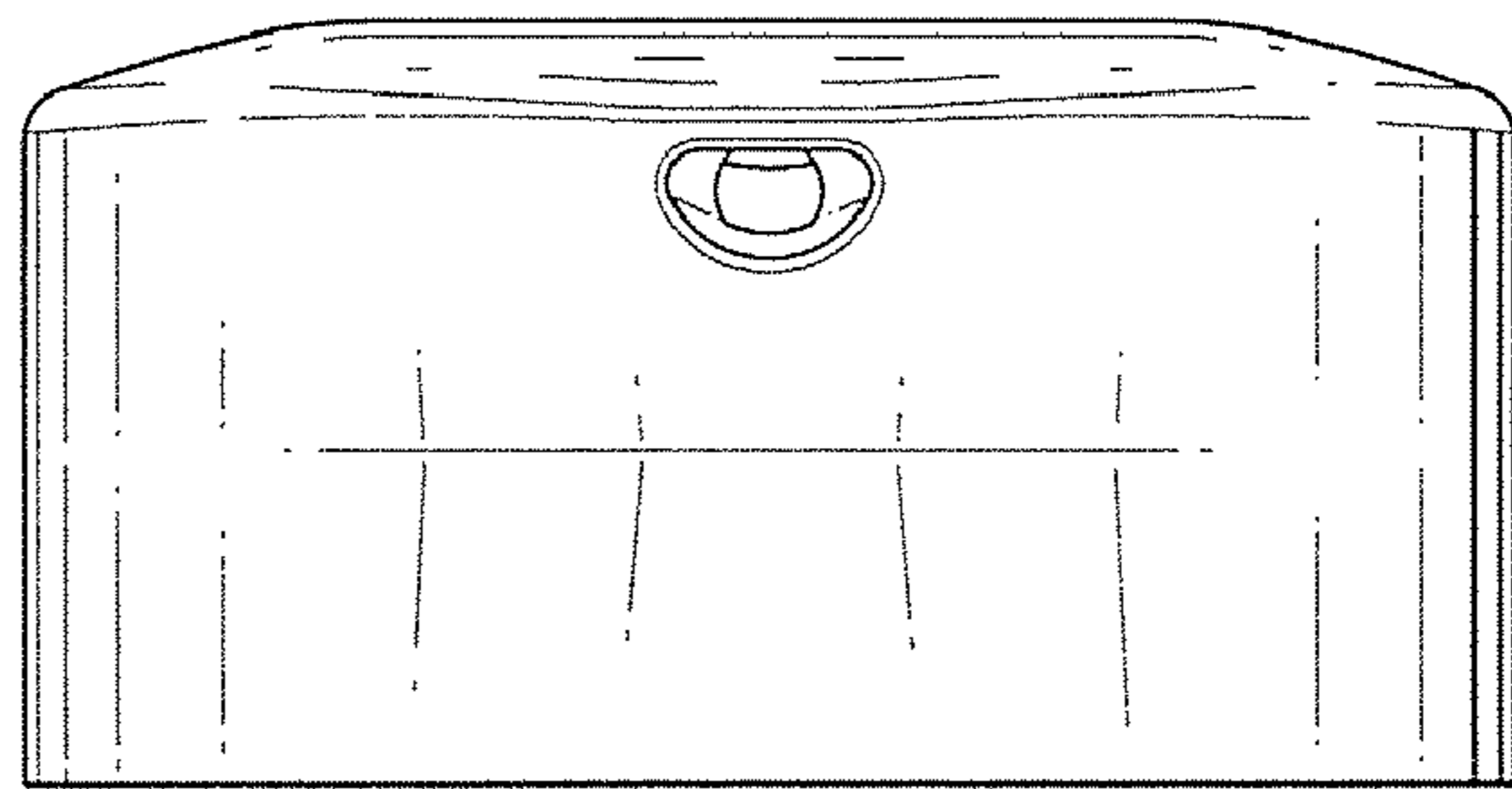


FIG. 2

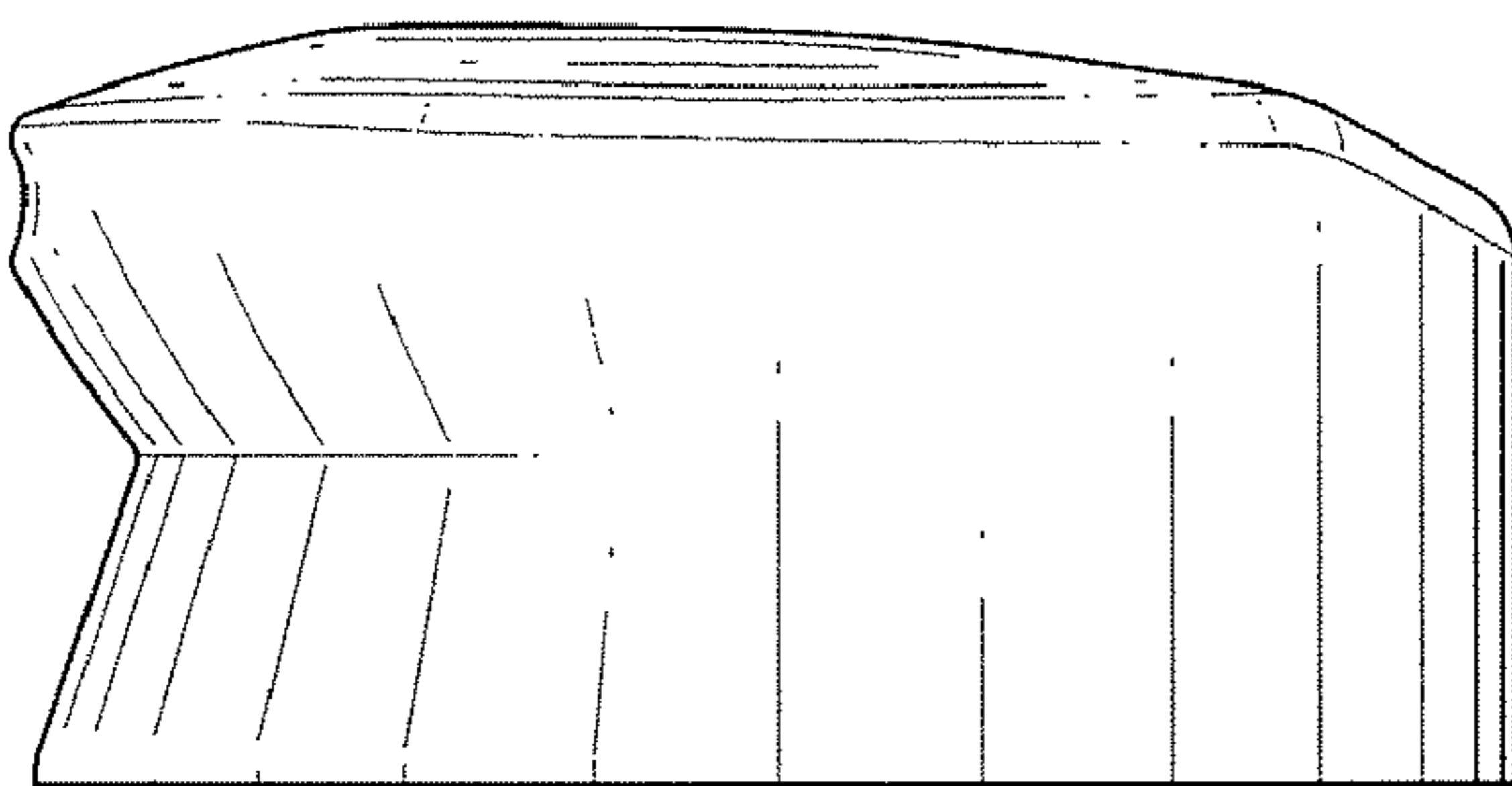


FIG. 3

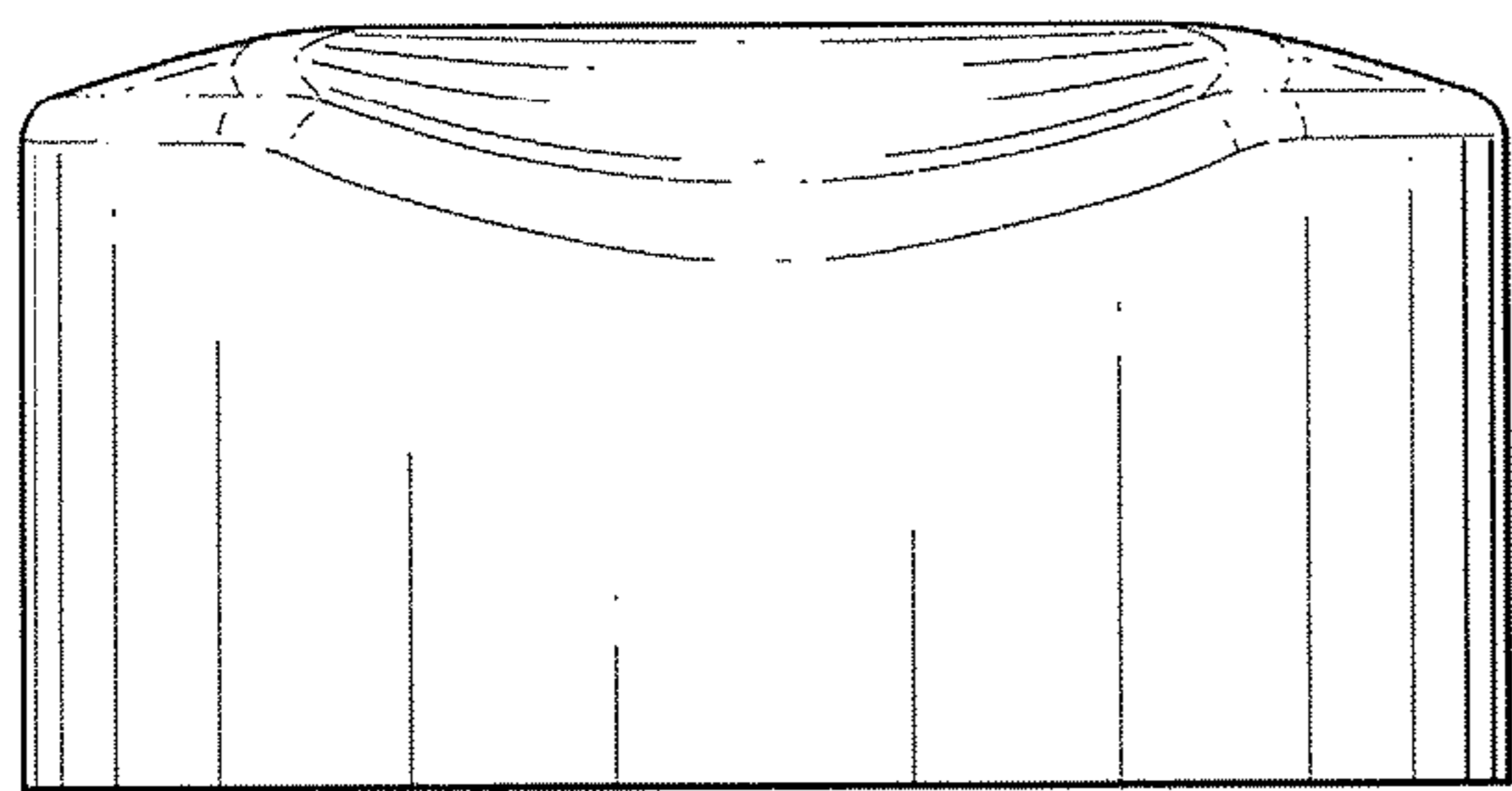


FIG. 4

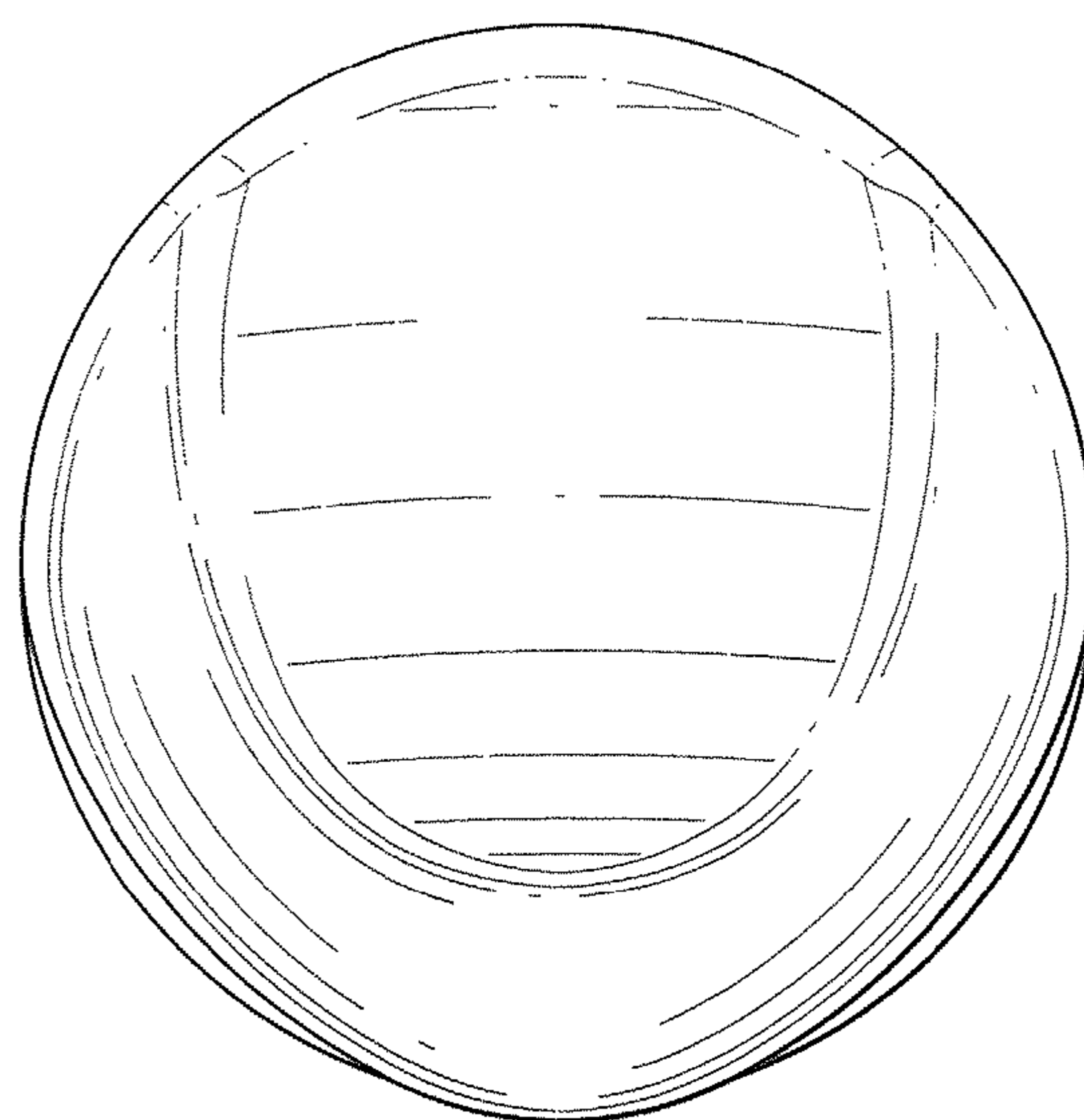


FIG. 5

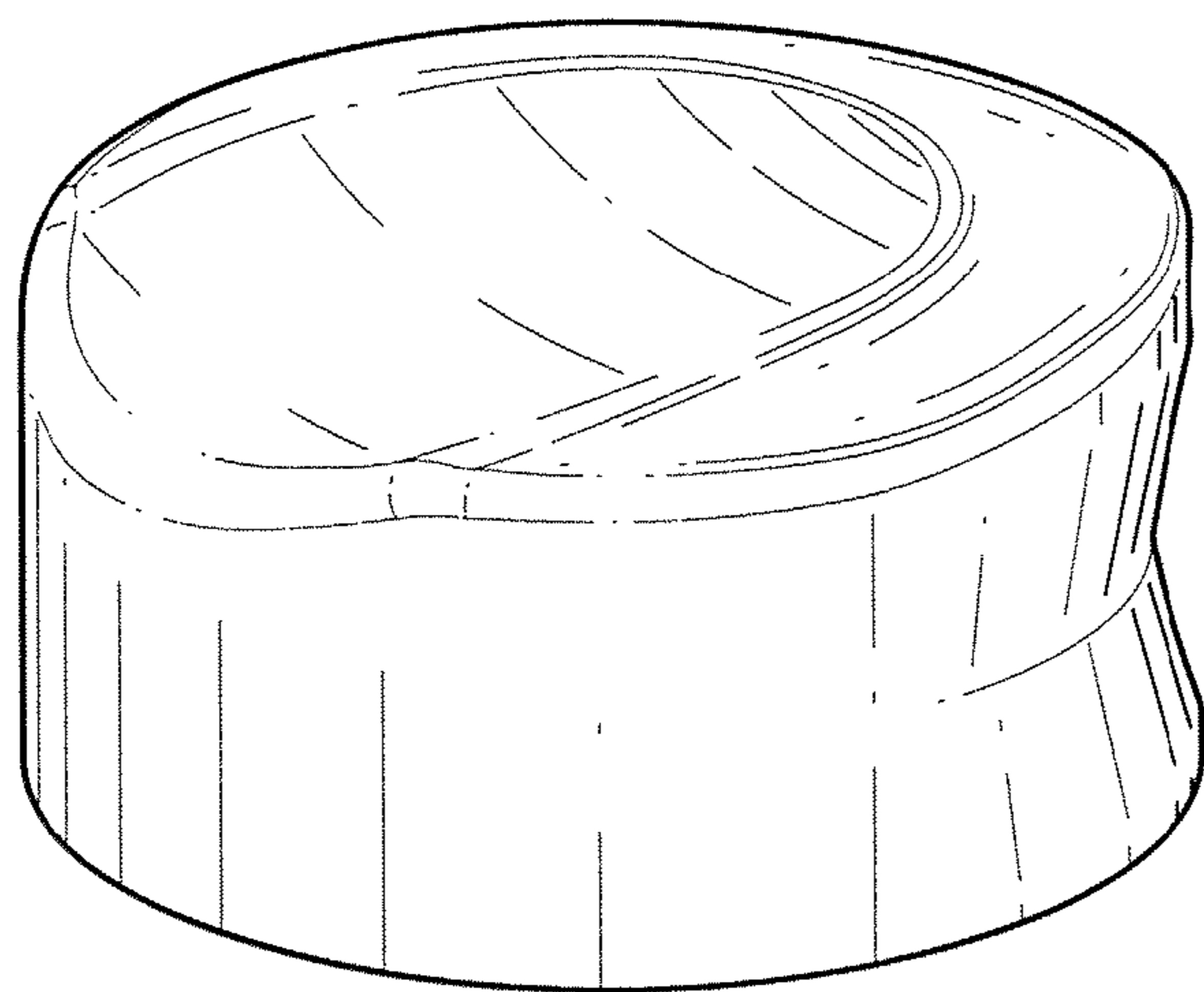


FIG. 6