



US00D625183S

(12) **United States Design Patent**  
**Bartsch et al.**

(10) **Patent No.:** **US D625,183 S**

(45) **Date of Patent:** **\*\* Oct. 12, 2010**

(54) **BOTTLE CARRYING DEVICE**

(76) Inventors: **Patricia Bartsch**, 86 Elderwood Dr.,  
Saint James, NY (US) 11780; **Charles**  
**Vaccaro**, 30 Woodland Pl., Great Neck,  
NY (US) 11021

(\*\*) Term: **14 Years**

(21) Appl. No.: **29/353,354**

(22) Filed: **Jan. 7, 2010**

(51) **LOC (9) Cl.** ..... **09-07**

(52) **U.S. Cl.** ..... **D9/434; D9/455**

(58) **Field of Classification Search** ..... D9/455,  
D9/454, 434; D8/356; D3/328; D12/114;  
294/171, 170, 165, 159, 158, 142, 137; 224/103;  
211/59.1; 190/39, 18 A  
See application file for complete search history.

(56) **References Cited**

**U.S. PATENT DOCUMENTS**

D241,314 S *	9/1976	Hug	.....	D8/395
D295,727 S *	5/1988	Clarke	.....	D9/434
D299,213 S *	1/1989	Puntillo	.....	D8/395
D344,449 S *	2/1994	Ward	.....	D8/395
D358,094 S *	5/1995	DeGiacomo, Jr.	.....	D9/434
D359,235 S *	6/1995	Kennedy et al.	.....	D9/434
D362,621 S *	9/1995	Blocker	.....	D9/434
D368,567 S *	4/1996	Chase	.....	D34/29
D369,470 S *	5/1996	Suggs, Sr.	.....	D3/328
D385,788 S *	11/1997	Risser	.....	D9/434
D417,390 S *	12/1999	Hofman	.....	D8/395
D422,867 S *	4/2000	Forbes	.....	D8/71
D431,466 S *	10/2000	Wang	.....	D9/434
D460,669 S *	7/2002	Cizek	.....	D8/26
D476,569 S *	7/2003	Simkins	.....	D9/455

D500,950 S *	1/2005	Kelleghan	.....	D8/356
6,837,472 B1 *	1/2005	Beutz	.....	248/312
D508,841 S *	8/2005	Jordan, Jr.	.....	D8/395
D536,174 S *	2/2007	Charbeneau	.....	D3/328
D540,153 S *	4/2007	Tanaka et al.	.....	D8/354
D559,084 S *	1/2008	Foxx et al.	.....	D8/356
D564,351 S *	3/2008	Leclerc	.....	D9/434
D569,241 S *	5/2008	O'Neill	.....	D8/395
D592,509 S *	5/2009	Lecoutre	.....	D9/456
D601,017 S *	9/2009	Hungerford	.....	D9/434

\* cited by examiner

*Primary Examiner*—Susan Bennett Hattan

(74) *Attorney, Agent, or Firm*—Gerald E. Hespos; Michael J. Porco

(57) **CLAIM**

The ornamental design for a bottle carrying device, as shown and described.

**DESCRIPTION**

FIG. 1 is a perspective view of a bottle carrying device in accordance with my design. The broken lines forming the body, the straps, and the bottle in FIG. 1 are for illustrative purposes only and form no part of the claimed design.

FIG. 2 is a perspective view of the bottle carrying device;

FIG. 3 is a top plan view thereof;

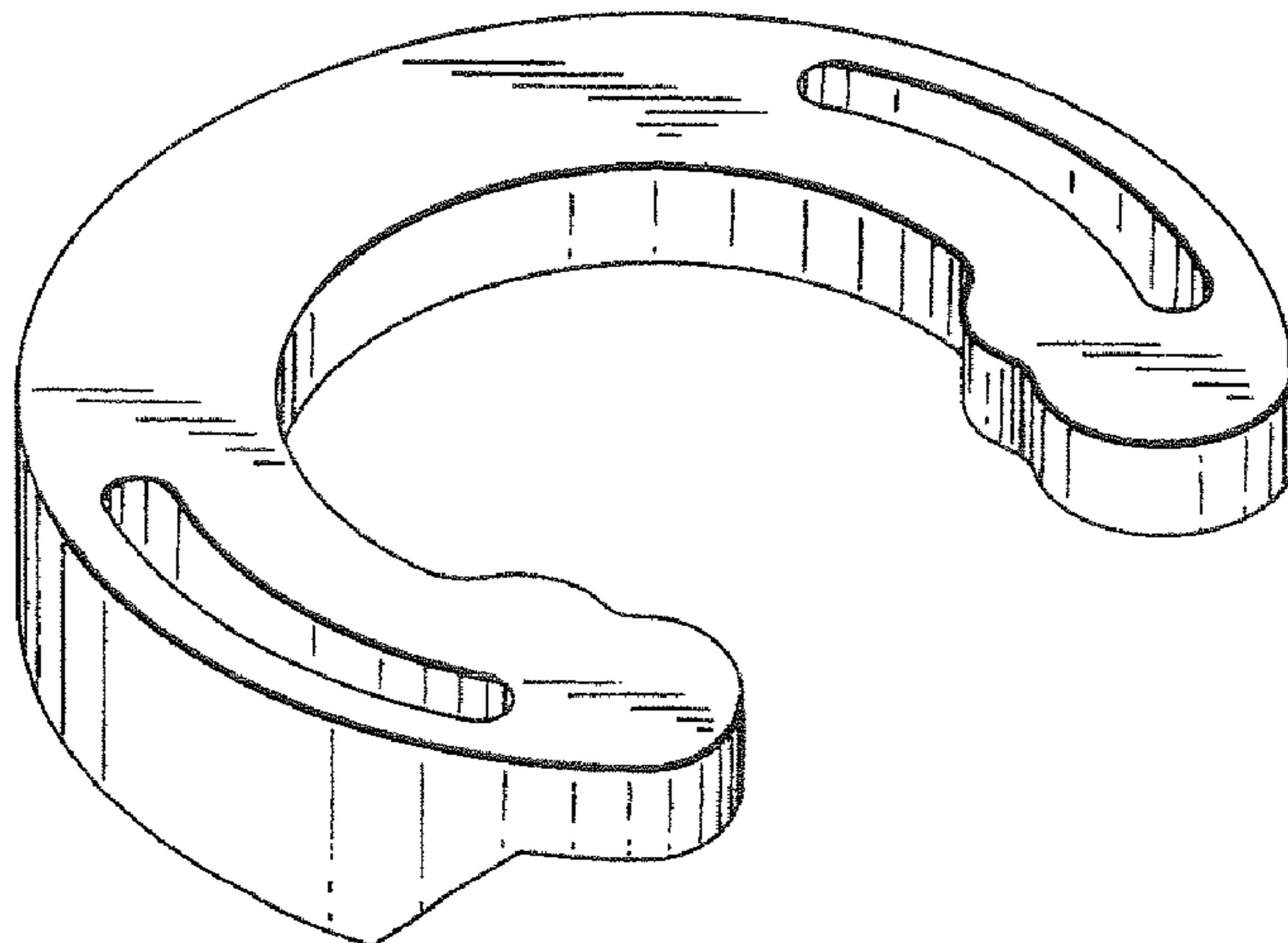
FIG. 4 is a front elevational view thereof;

FIG. 5 is a side elevational view thereof as viewed from the right side of FIG. 2 with the left side elevational view being a mirror image thereof;

FIG. 6 is a rear elevational view thereof; and,

FIG. 7 is a bottom plan view thereof.

**1 Claim, 2 Drawing Sheets**



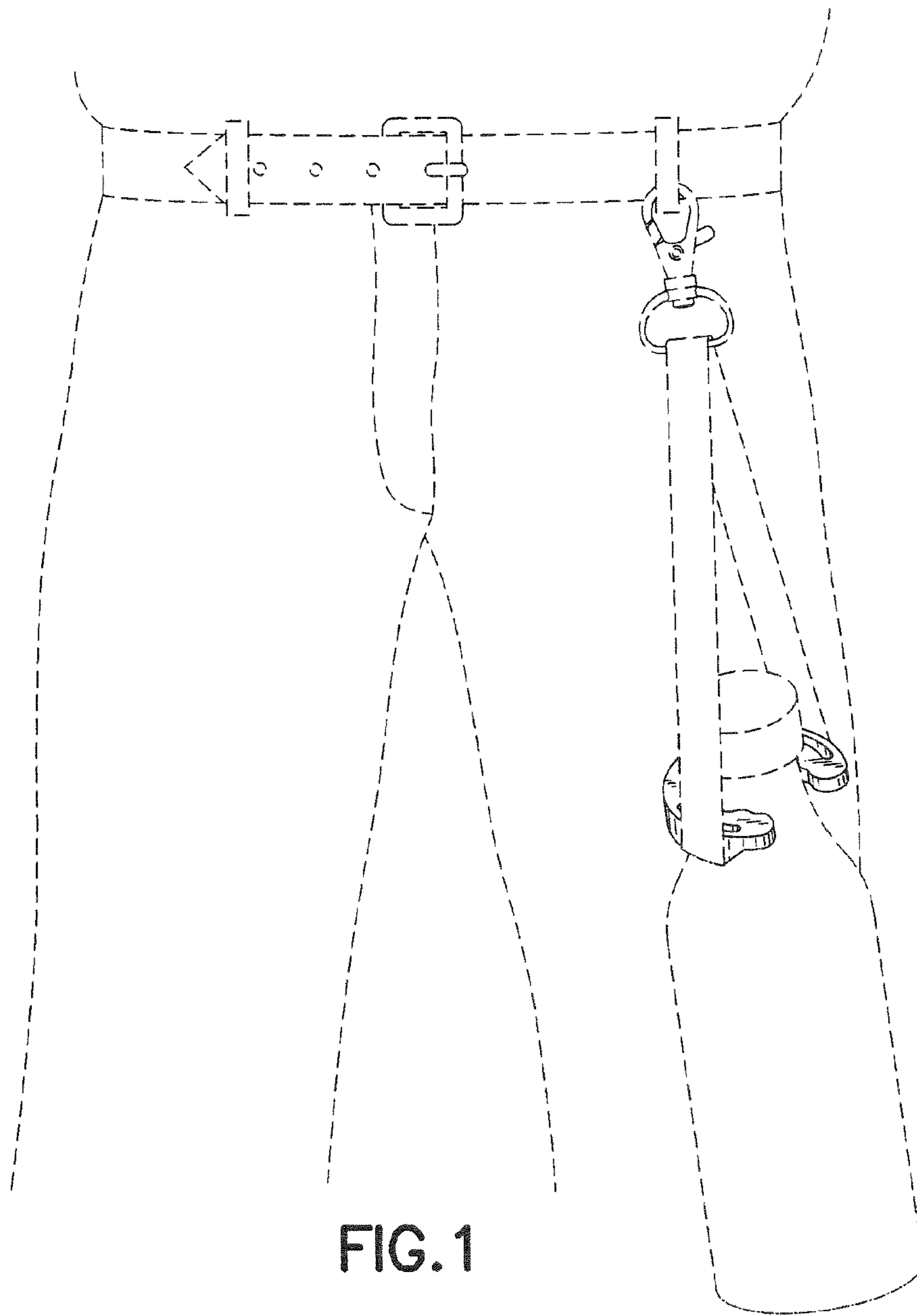


FIG. 1

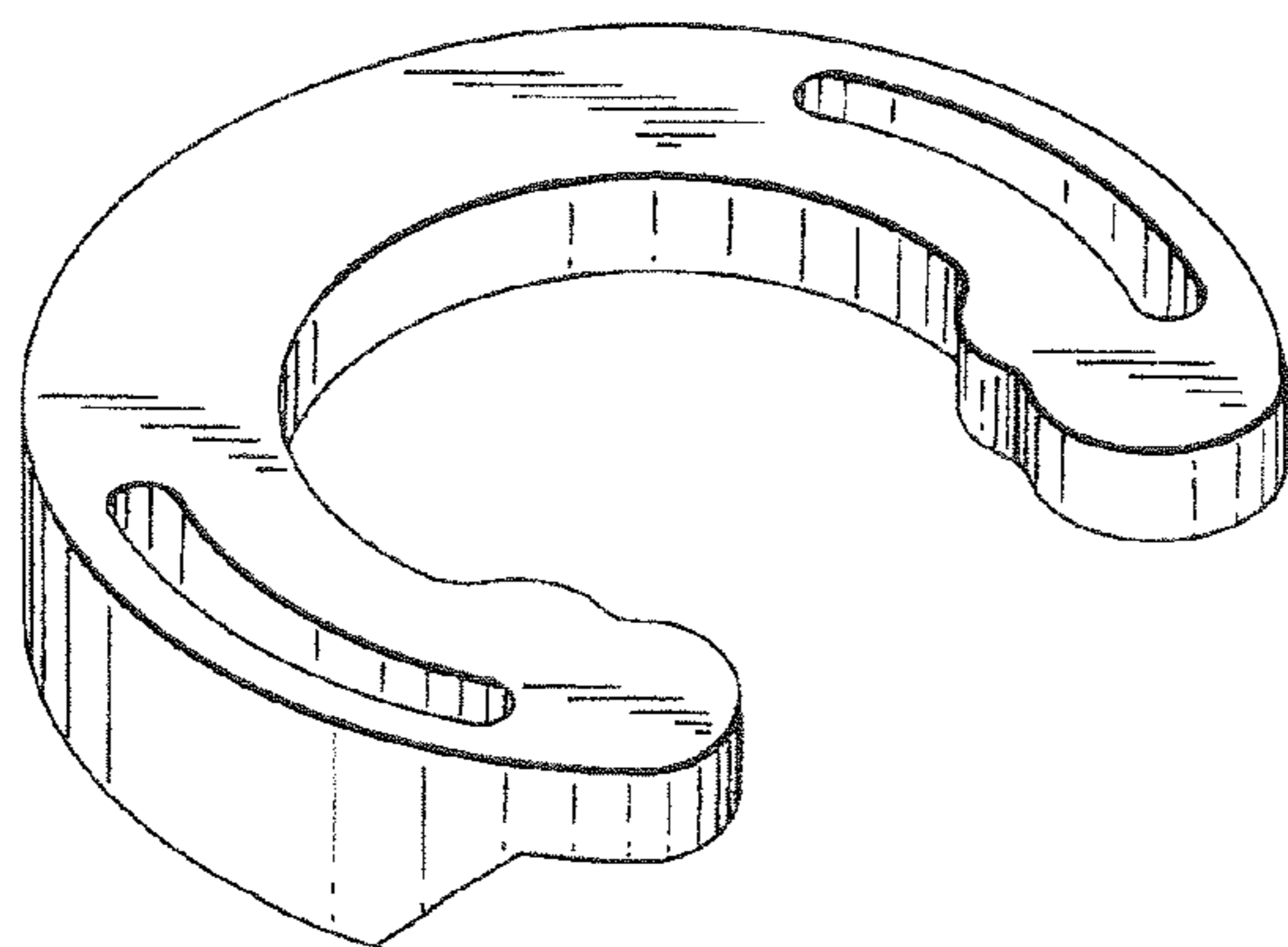


FIG. 2

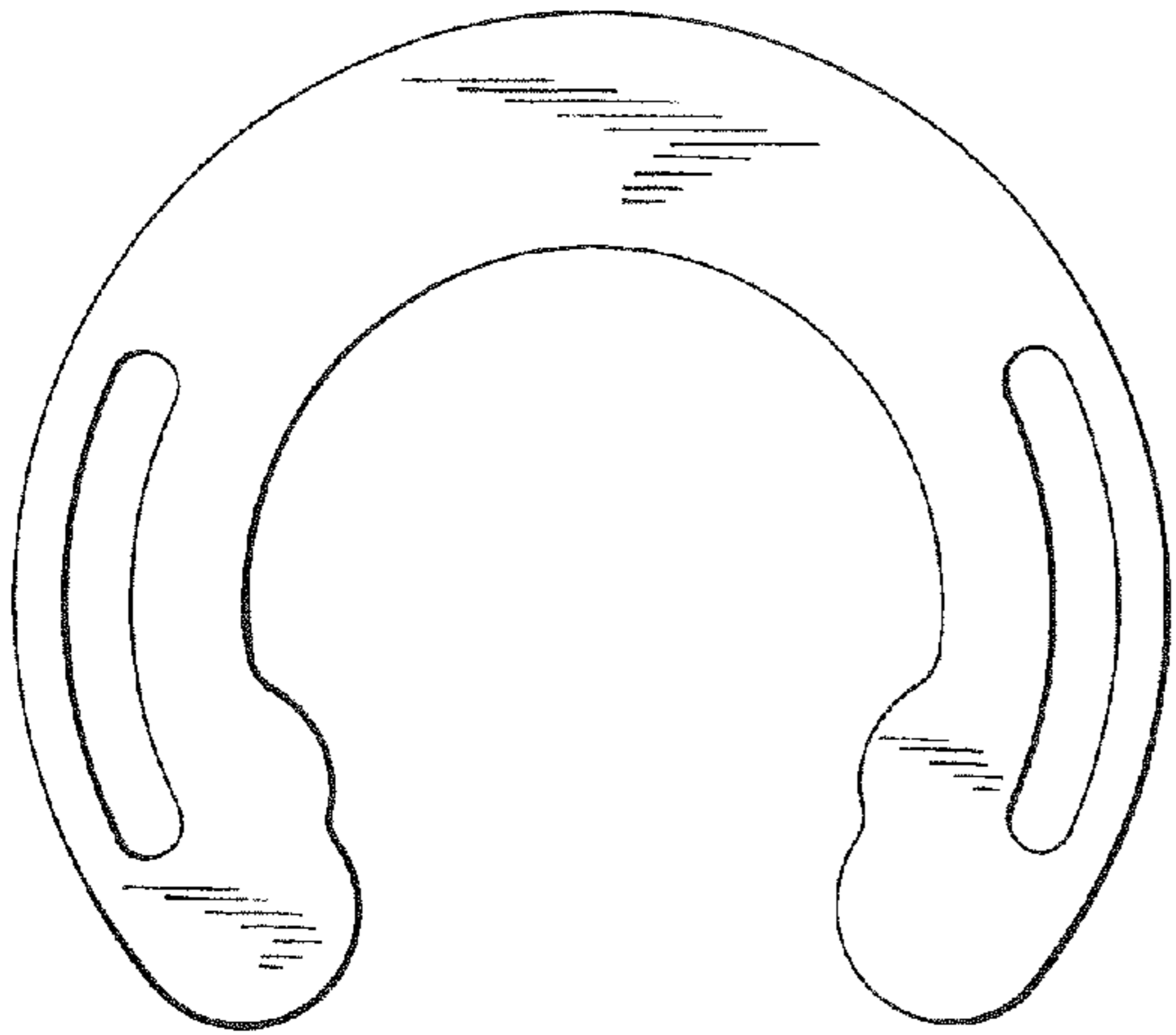


FIG. 3

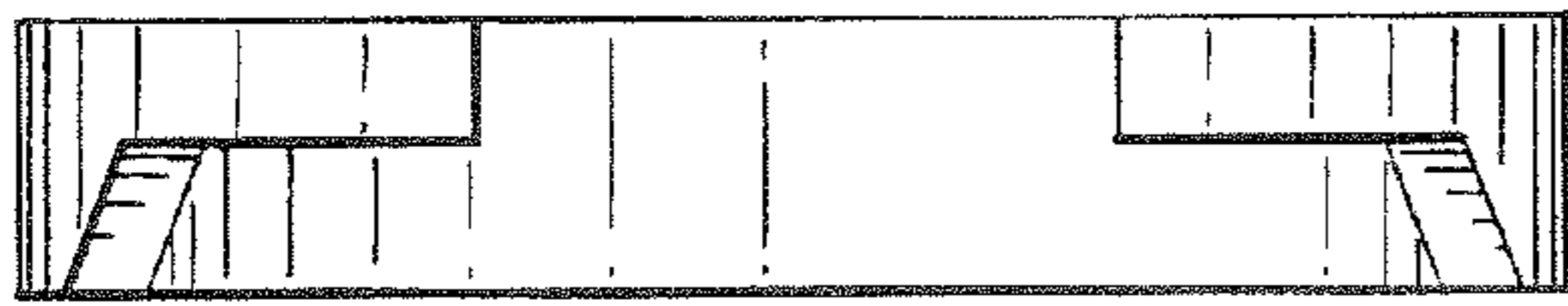


FIG. 4

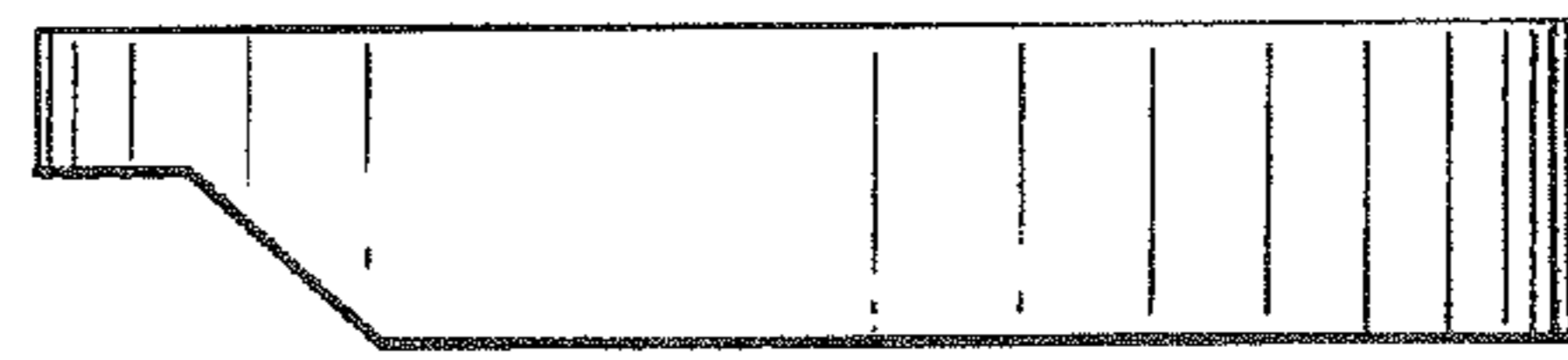


FIG. 5

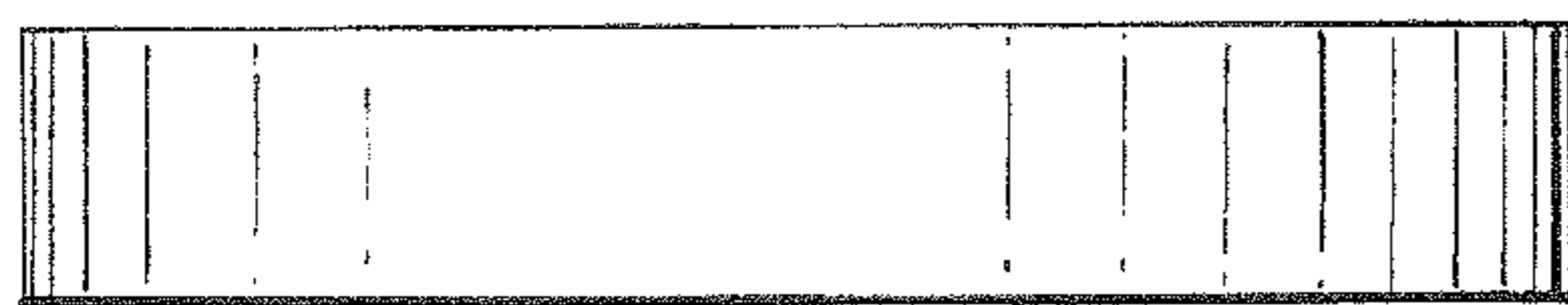


FIG. 6

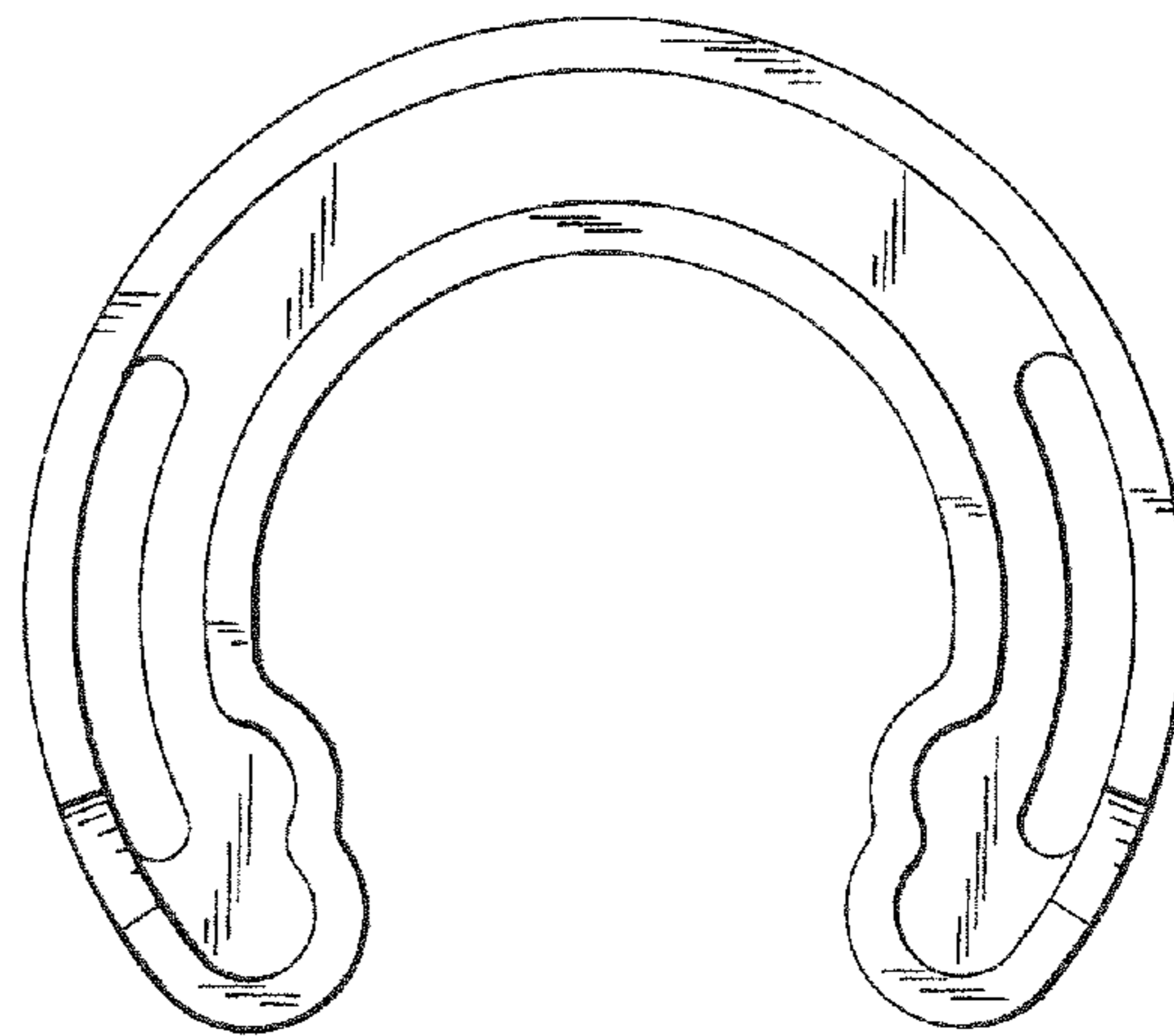


FIG. 7