



US00D625181S

(12) **United States Design Patent**
Jefferies et al.

(10) **Patent No.:** **US D625,181 S**
(45) **Date of Patent:** **** Oct. 12, 2010**

(54) **PRODUCT PACKAGE**

D596,023 S * 7/2009 Moskowitz D9/418

(75) Inventors: **Ione Jefferies**, Los Angeles, CA (US);
Catherine Renee Martin, Tarzana, CA (US)

* cited by examiner

Primary Examiner—Susan E Krakower

(73) Assignee: **MGA Entertainment, Inc.**, Van Nuys, CA (US)

(74) *Attorney, Agent, or Firm*—Hani Z. Sayed; Rutan & Tucker, LLP

(**) Term: **14 Years**

(57) **CLAIM**

(21) Appl. No.: **29/338,920**

The ornamental design for a product package, as shown and described.

(22) Filed: **Jun. 19, 2009**

DESCRIPTION

(51) **LOC (9) Cl.** **09-03**

FIG. 1 is a perspective view of a product package of the present invention;

(52) **U.S. Cl.** **D9/425**

FIG. 2 is a front view of a product package of the present invention;

(58) **Field of Classification Search** D9/414–415,
D9/418–419, 424–425, 429–430, 457, 748;
D3/200, 218, 273; 206/223, 303, 389, 461–471,
206/579, 775, 769, 806; 229/100, 108, 111,
229/116.1, 406

FIG. 3 is a top view of a product package of the present invention;

See application file for complete search history.

FIG. 4 is a left side view of a product package of the present invention;

(56) **References Cited**

FIG. 5 is a right side view of a product package of the present invention;

U.S. PATENT DOCUMENTS

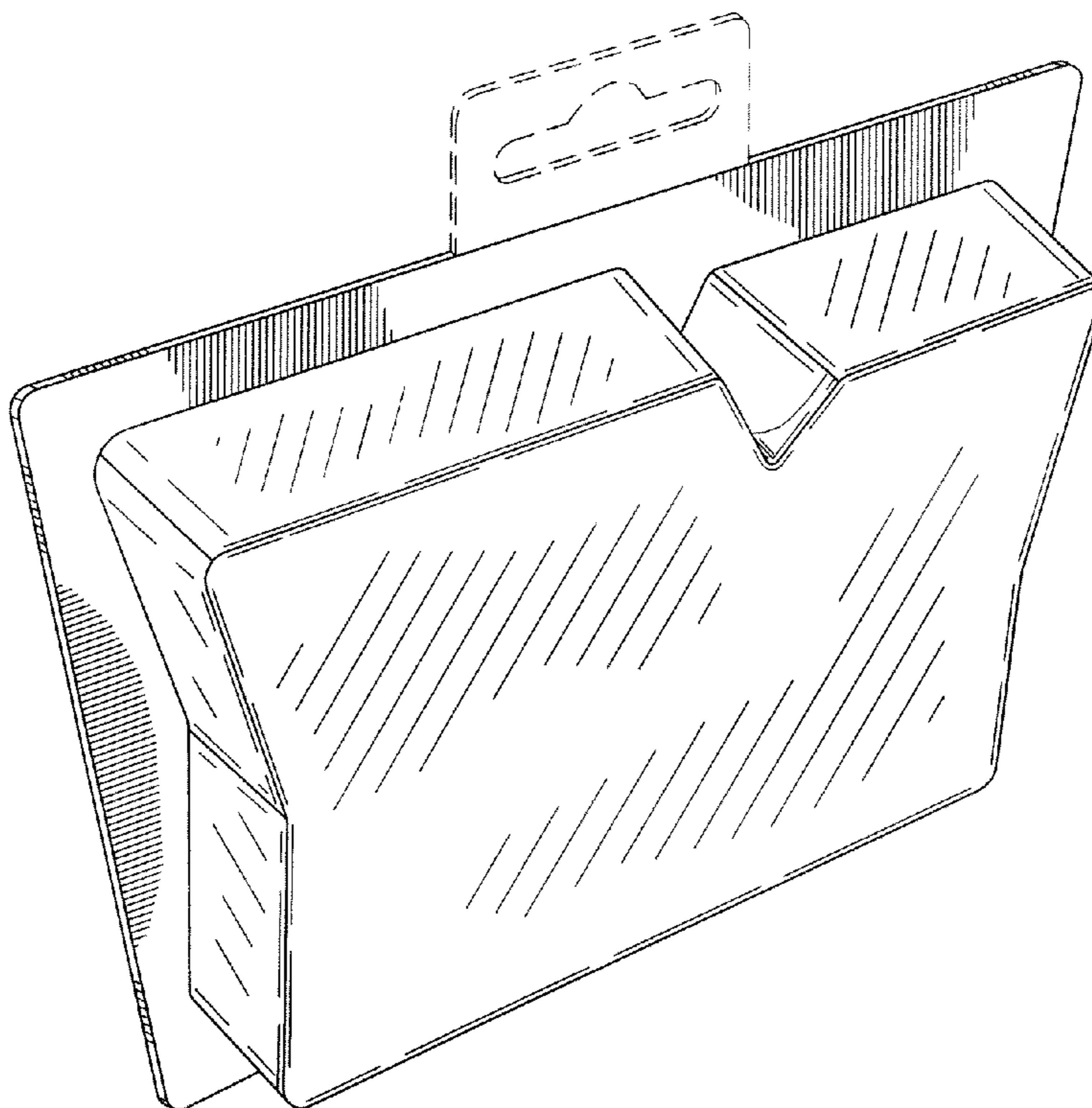
FIG. 6 is a back view of a product package of the present invention; and,

3,338,400	A	*	8/1967	Edgworth et al.	206/363
D327,426	S	*	6/1992	Karita et al.	D9/415
5,244,092	A	*	9/1993	Karita et al.	206/462
D411,798	S	*	7/1999	Suzuki	D9/415
D481,941	S	*	11/2003	Kyne et al.	D9/415
D562,127	S	*	2/2008	Croft et al.	D9/418
D574,704	S	*	8/2008	Senter	D9/424
D593,404	S	*	6/2009	Lee	D9/415

FIG. 7 is a bottom view of a product package of the present invention.

The broken lines in the drawings represent environmental subject matter and form no part of the claimed design.

1 Claim, 4 Drawing Sheets



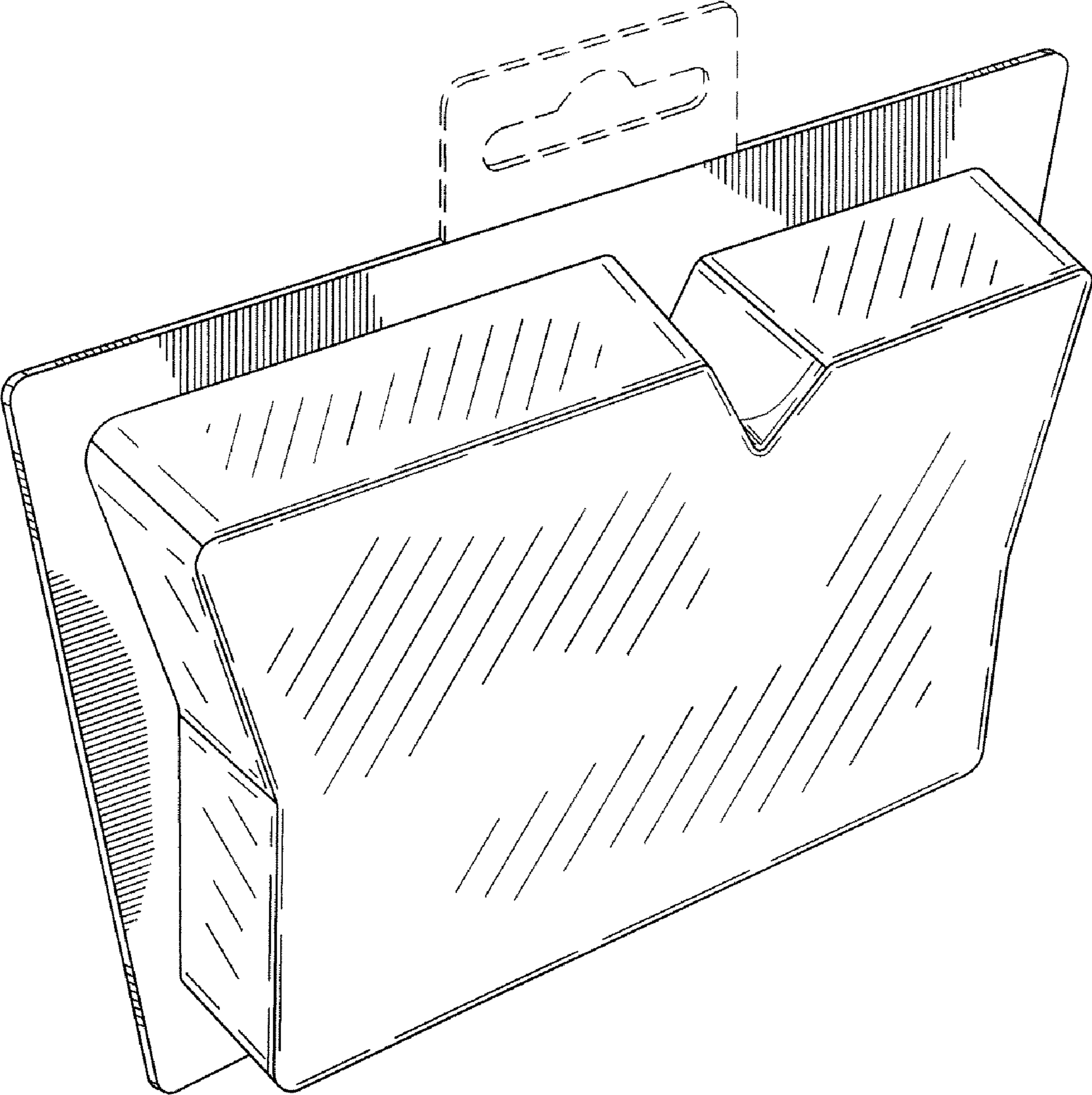


FIG. 1

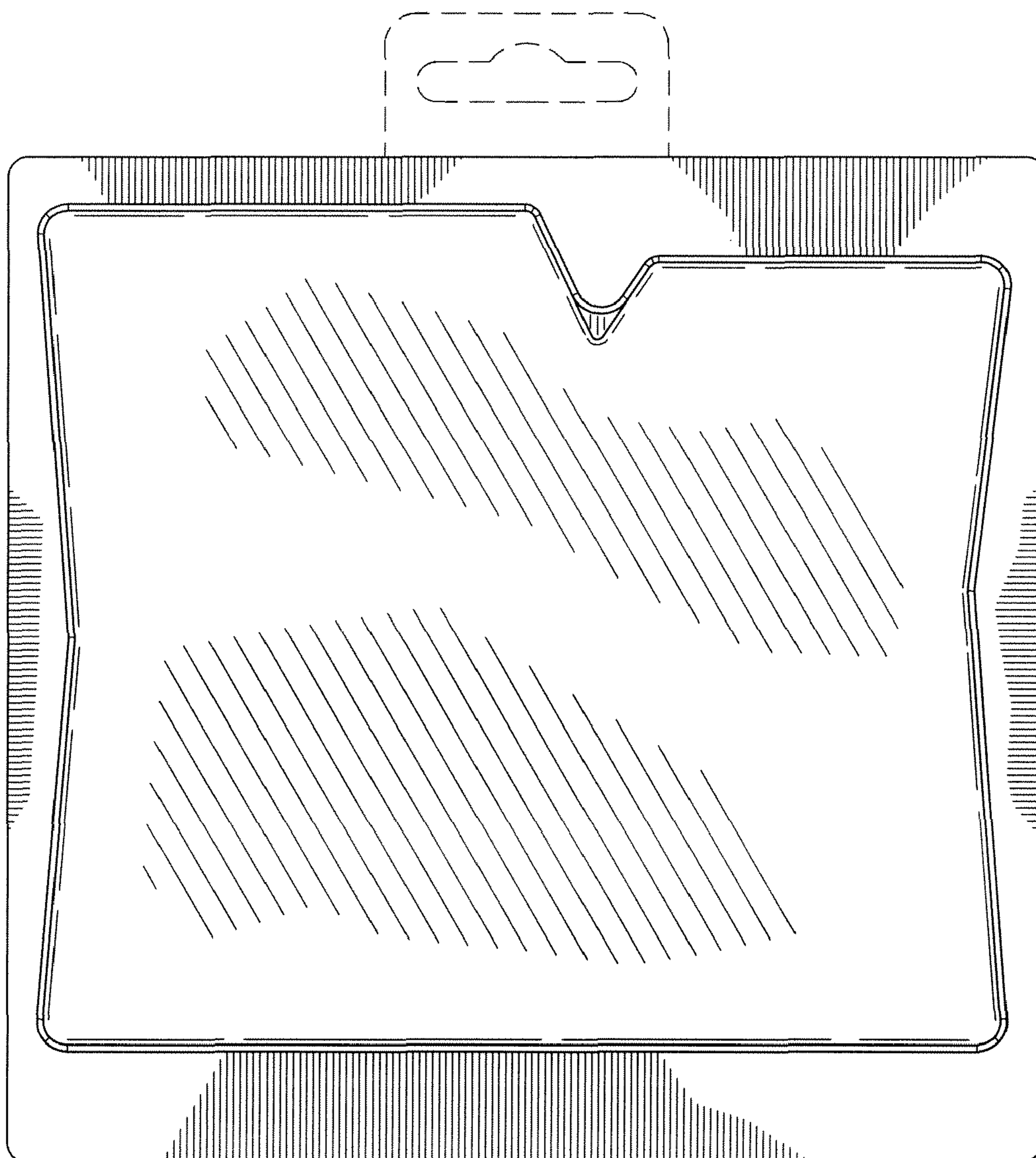


FIG. 2

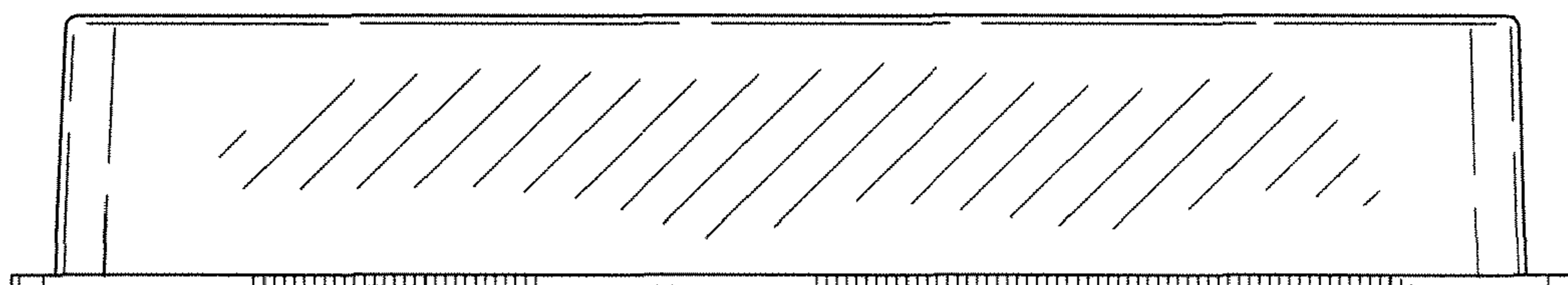


FIG. 7

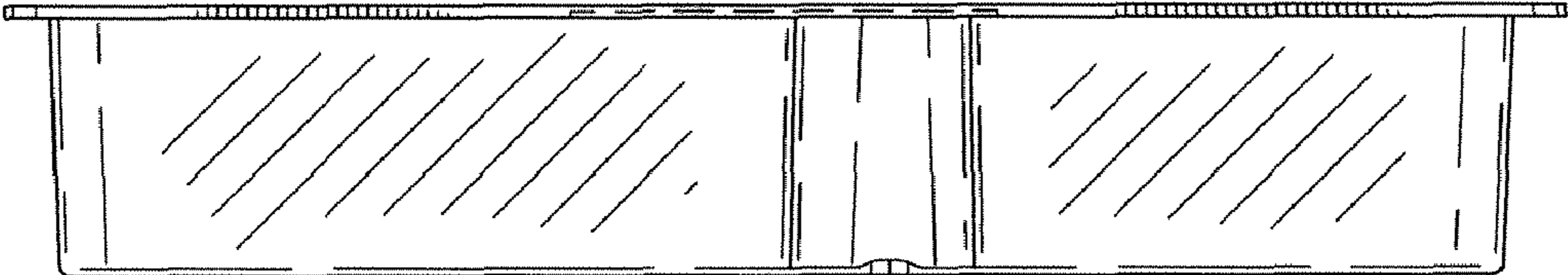


FIG. 3

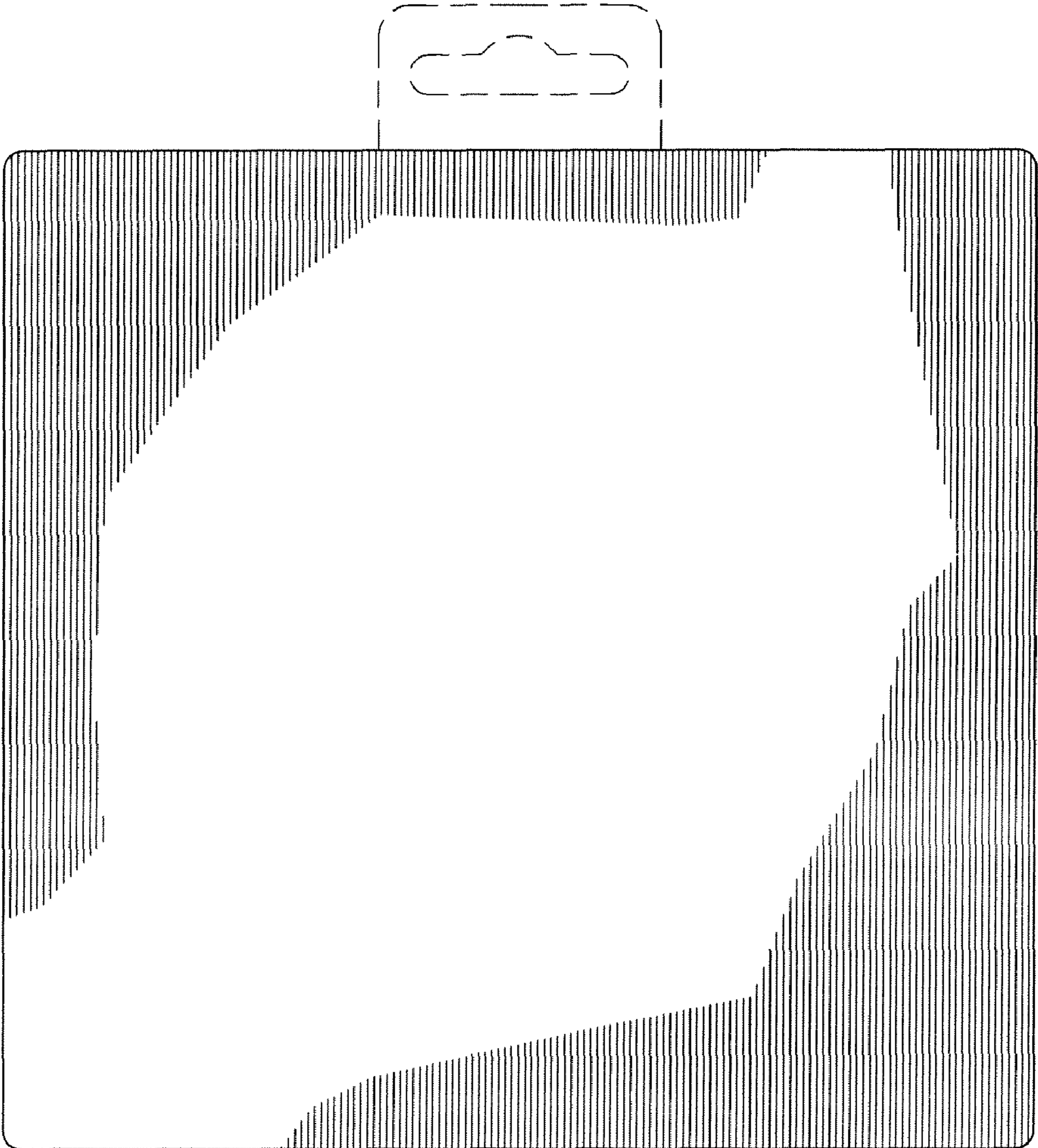


FIG. 6

FIG. 4

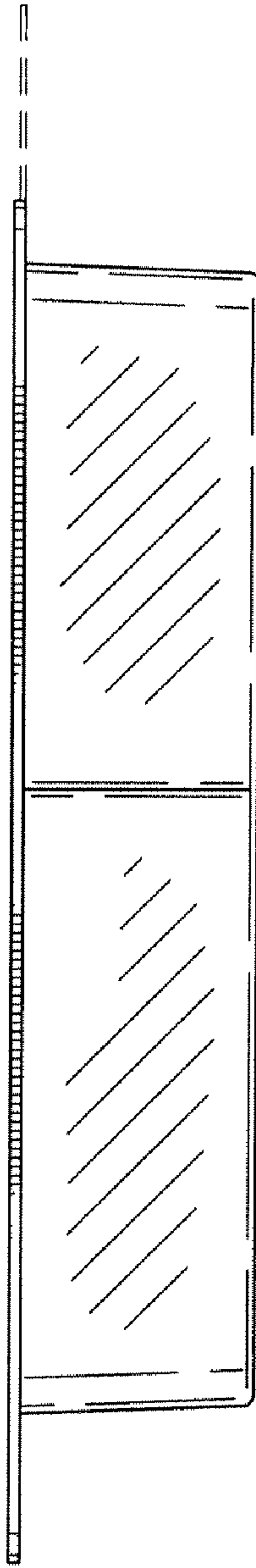


FIG. 5

