



US00D625178S

(12) **United States Design Patent**  
**Bailey et al.**

(10) **Patent No.:** **US D625,178 S**  
(45) **Date of Patent:** **\*\* Oct. 12, 2010**

(54) **CONTAINER WITH HINGED INSERT**

(75) Inventors: **Ryan A. Bailey**, Raleigh, NC (US);  
**John A. Gelardi**, Wake Forest, NC (US)

(73) Assignee: **R.J. Reynolds Tobacco Company, Inc.**,  
Winston-Salem, NC (US)

(\*\*) Term: **14 Years**

(21) Appl. No.: **29/342,212**

(22) Filed: **Aug. 20, 2009**

**Related U.S. Application Data**

(63) Continuation-in-part of application No. 12/425,180,  
filed on Apr. 16, 2009.

(51) **LOC (9) Cl.** ..... **09-03**

(52) **U.S. Cl.** ..... **D9/422**

(58) **Field of Classification Search** ..... 132/293,  
132/294, 315, 39, 235, 527, 581, 815, 823;  
D18/15, 17; D3/20, 203.2, 203.6; D28/76-79,  
D28/83; D9/417, 419-425, 432, 716, 721,  
D9/730

See application file for complete search history.

(56) **References Cited**

**U.S. PATENT DOCUMENTS**

194,197 A 8/1877 Villaret  
3,696,917 A 10/1972 Levi

(Continued)

**FOREIGN PATENT DOCUMENTS**

CH 180 218 A 10/1935

(Continued)

*Primary Examiner*—Daniel D Bui

*Assistant Examiner*—Thomas J Johannes

(74) *Attorney, Agent, or Firm*—Womble Carlyle Sandridge &  
Rice, PLLC

(57) **CLAIM**

The ornamental design for a container with hinged insert, as shown and described.

**DESCRIPTION**

FIG. 1 is a perspective view of a container with hinged insert showing our new design;

FIG. 2 is a top plan view thereof;

FIG. 3 is a bottom plan view thereof;

FIG. 4 is a left side elevation view thereof, the right side elevation view being a mirror image thereof;

FIG. 5 is a front elevation view thereof;

FIG. 6 is a rear elevation view thereof;

FIG. 7 is a perspective view thereof, shown with the hinged insert partially extended from the container and in a hinged configuration;

FIG. 8 is an exploded view thereof;

FIG. 9 is a perspective view of the hinged insert thereof;

FIG. 10 is another perspective view of the hinged insert thereof;

FIG. 11 is a top plan view of the hinged insert thereof;

FIG. 12 is a bottom plan view of the hinged insert thereof;

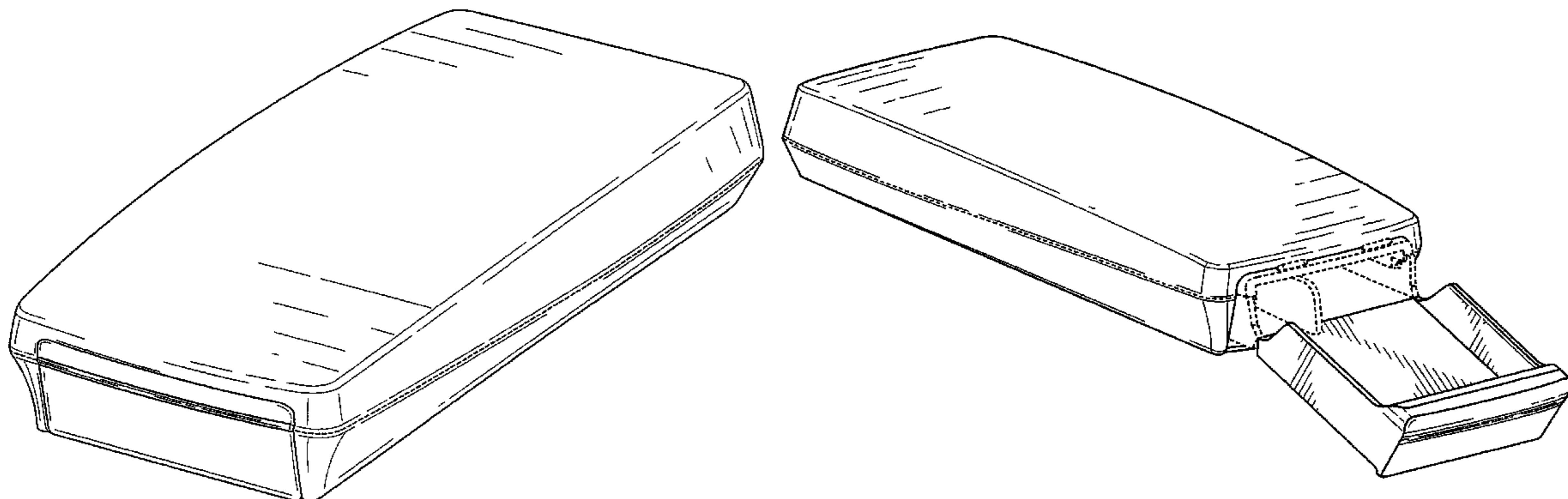
FIG. 13 is a left side elevation view of the hinged insert thereof, the right side elevation view being a mirror image thereof;

FIG. 14 is a front elevation view of the hinged insert thereof; and,

FIG. 15 is a rear elevation view of the hinged insert thereof.

The broken lines immediately adjacent the shaded areas represent bounds of the claimed design and environment while all other broken lines are directed to environment and are for illustrative purposes only; the broken lines form no part of the claimed design. The broken line of the separation between the upper and lower portions of the container in FIGS. 1, 4, 5, 6, 7, and 8 illustrates an unclaimed environmental feature and forms no part of the claimed design.

**1 Claim, 15 Drawing Sheets**



# US D625,178 S

## U.S. PATENT DOCUMENTS

3,782,584	A	1/1974	Swenson et al.	
3,895,737	A	7/1975	Phillips	
4,057,145	A	11/1977	Wray et al.	
4,113,098	A *	9/1978	Howard .....	206/540
4,154,365	A	5/1979	Lorca	
4,437,579	A	3/1984	Obland	
4,572,376	A	2/1986	Wrennall	
4,611,727	A	9/1986	Graff	
5,108,006	A	4/1992	Tieke et al.	
5,174,471	A	12/1992	Kozlowski et al.	
5,657,901	A	8/1997	Farside	
5,782,359	A	7/1998	McAllister et al.	
5,816,441	A	10/1998	Farside	
5,897,025	A	4/1999	Flewitt et al.	
5,909,822	A	6/1999	George et al.	
5,915,560	A	6/1999	George et al.	
6,131,765	A	10/2000	Barry et al.	
6,155,454	A	12/2000	George et al.	
6,267,265	B1	7/2001	Issa	
6,460,693	B1	10/2002	Harrold	
D465,729	S *	11/2002	Nishimura .....	D9/422
6,527,138	B2	3/2003	Pawlo et al.	
6,758,338	B2	7/2004	Lien	
6,863,175	B2	3/2005	Gelardi	
6,913,149	B2	7/2005	Gelardi et al.	
6,976,576	B2	12/2005	Intini	
D535,184	S *	1/2007	Tanner .....	D9/422
D535,874	S *	1/2007	Tanner .....	D9/422
7,159,720	B2	1/2007	Pearson	
7,216,776	B2	5/2007	Gelardi	

D574,709	S *	8/2008	Crotts et al. ....	D9/504
D596,046	S *	7/2009	van Deursen .....	D9/735
2002/0175195	A1	11/2002	Cole	
2004/0074917	A1	4/2004	McHutchinson	
2004/0217024	A1	11/2004	Arnarp et al.	
2005/0173272	A1	8/2005	Lemmons, IV	
2005/0183981	A1	8/2005	Gelardi	
2006/0060480	A1	3/2006	Budd	
2006/0118589	A1	6/2006	Arnarp et al.	
2006/0124658	A1	6/2006	Coe et al.	
2006/0243611	A1	11/2006	Wu	
2007/0068960	A1	3/2007	Valentine et al.	
2007/0163911	A1	7/2007	Gelardi	
2007/0246382	A1	10/2007	He	
2007/0246383	A1	10/2007	He	
2007/0277299	A1	12/2007	Kroon	
2008/0029110	A1	2/2008	Dube et al.	
2008/0029116	A1	2/2008	Robinson et al.	
2009/0266837	A1 *	10/2009	Gelardi et al. ....	221/154

## FOREIGN PATENT DOCUMENTS

WO	WO 2004/035404	A1	4/2004
WO	WO 2004/037657	A	5/2004
WO	WO 2005/016036	A1	2/2005
WO	WO 2005/030606	A1	4/2005
WO	WO 2005/035390	A1	4/2005
WO	WO 2007/017761	A2	2/2007
WO	WO 2007/067953	A2	6/2007
WO	WO 2007/070867	A2	6/2007
WO	WO 2008/070032	A2	6/2008

\* cited by examiner

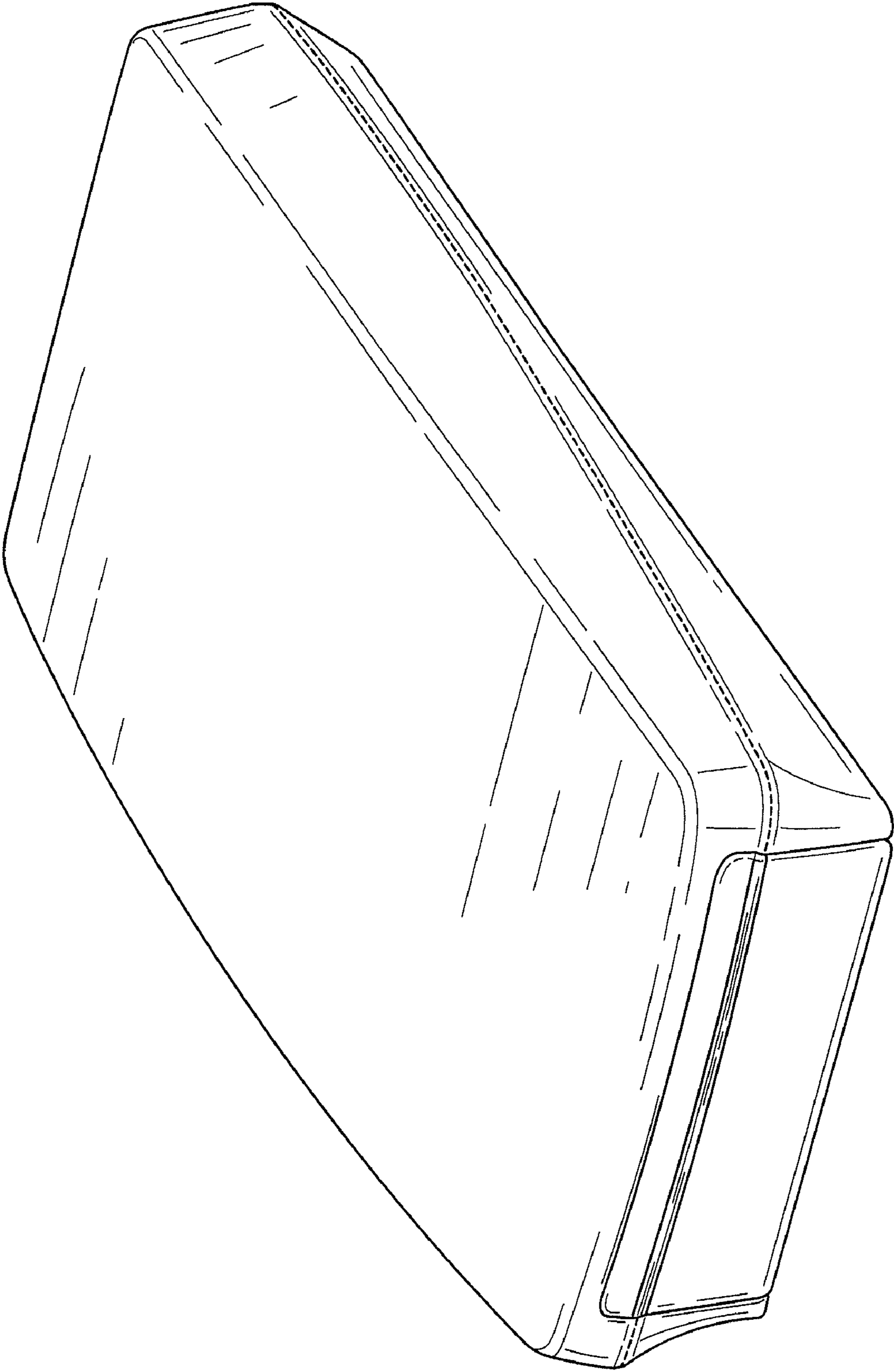


FIG. 1

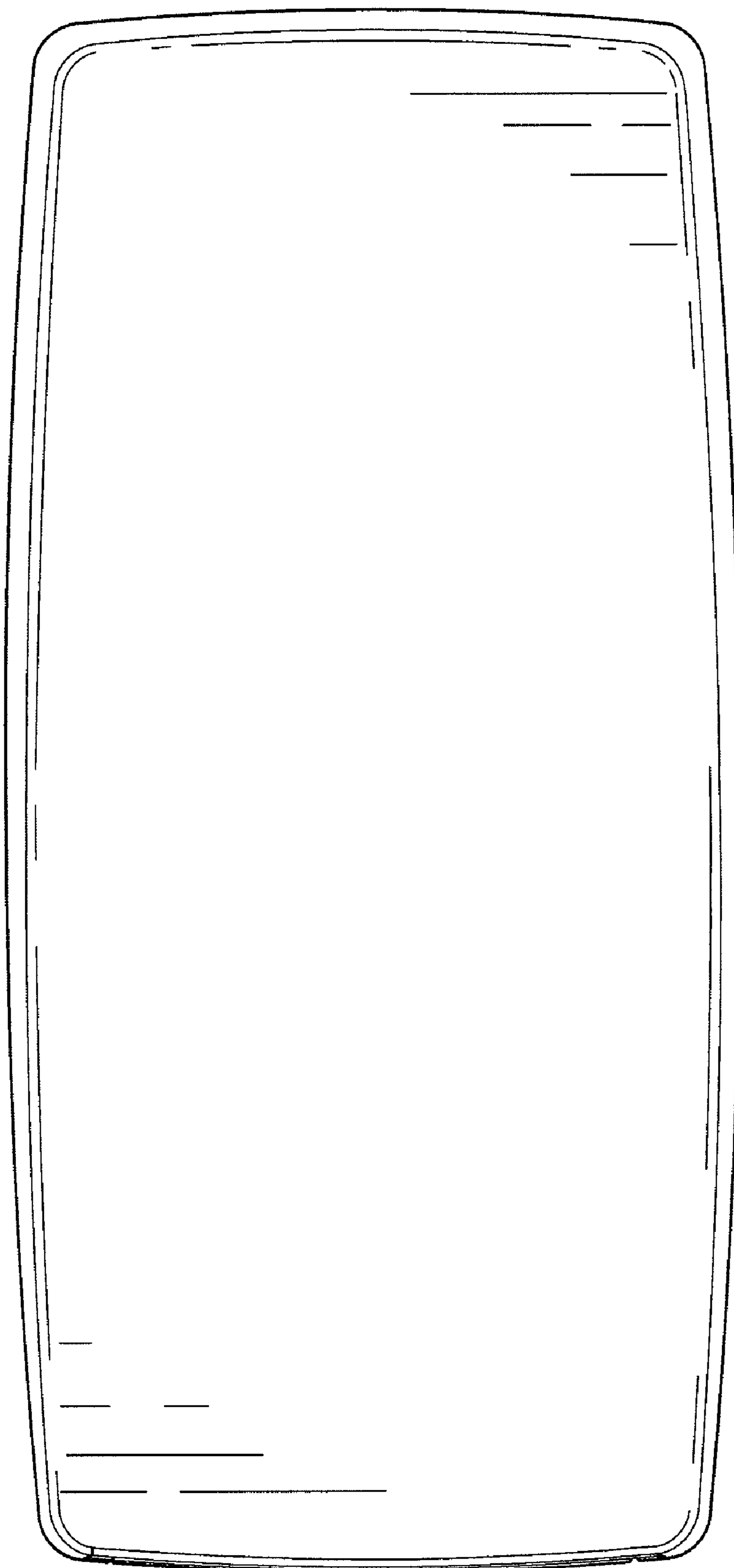


FIG. 2

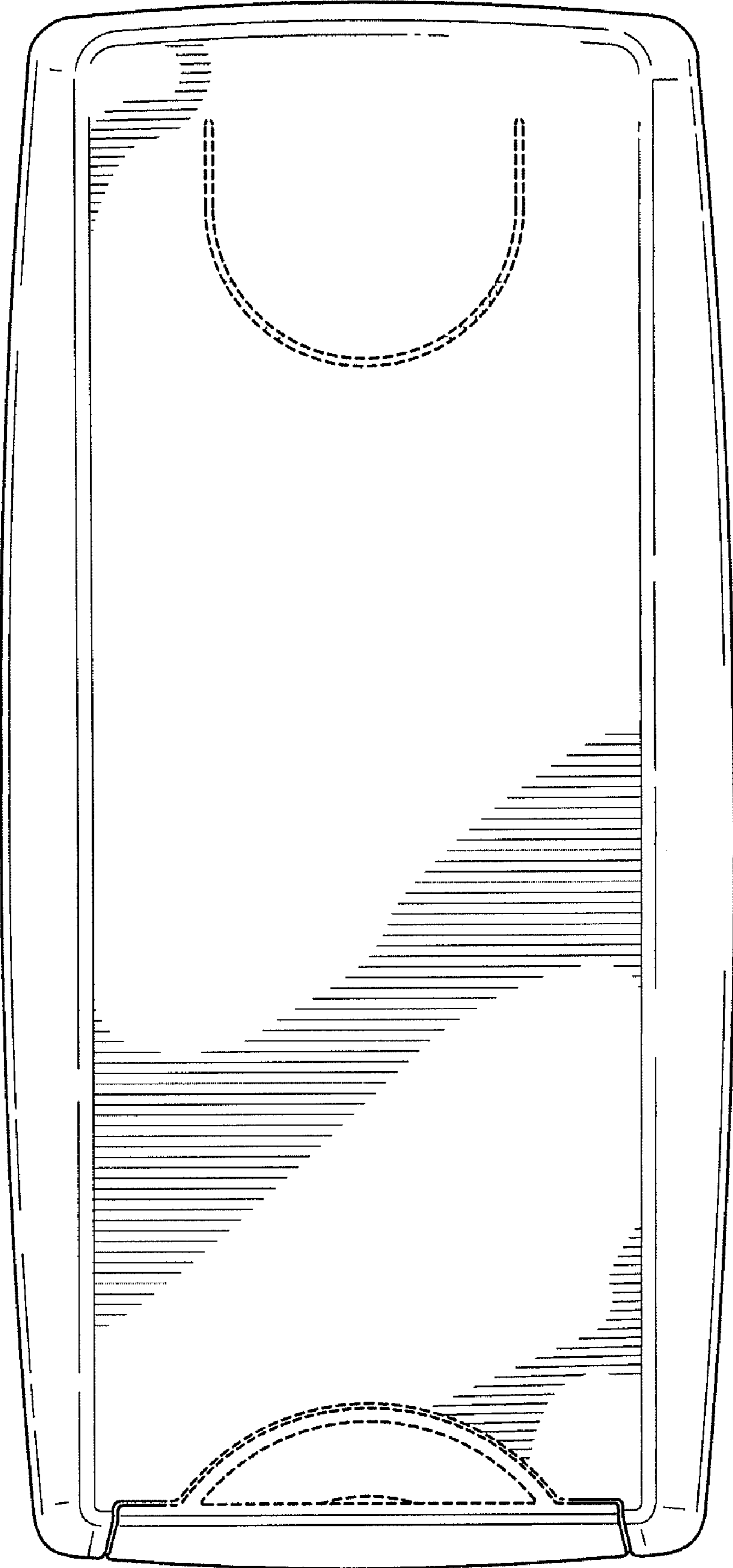


FIG. 3

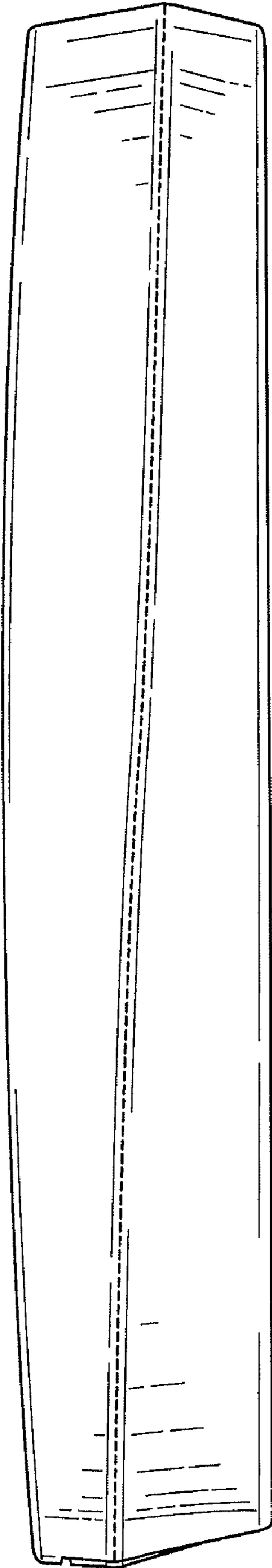


FIG. 4

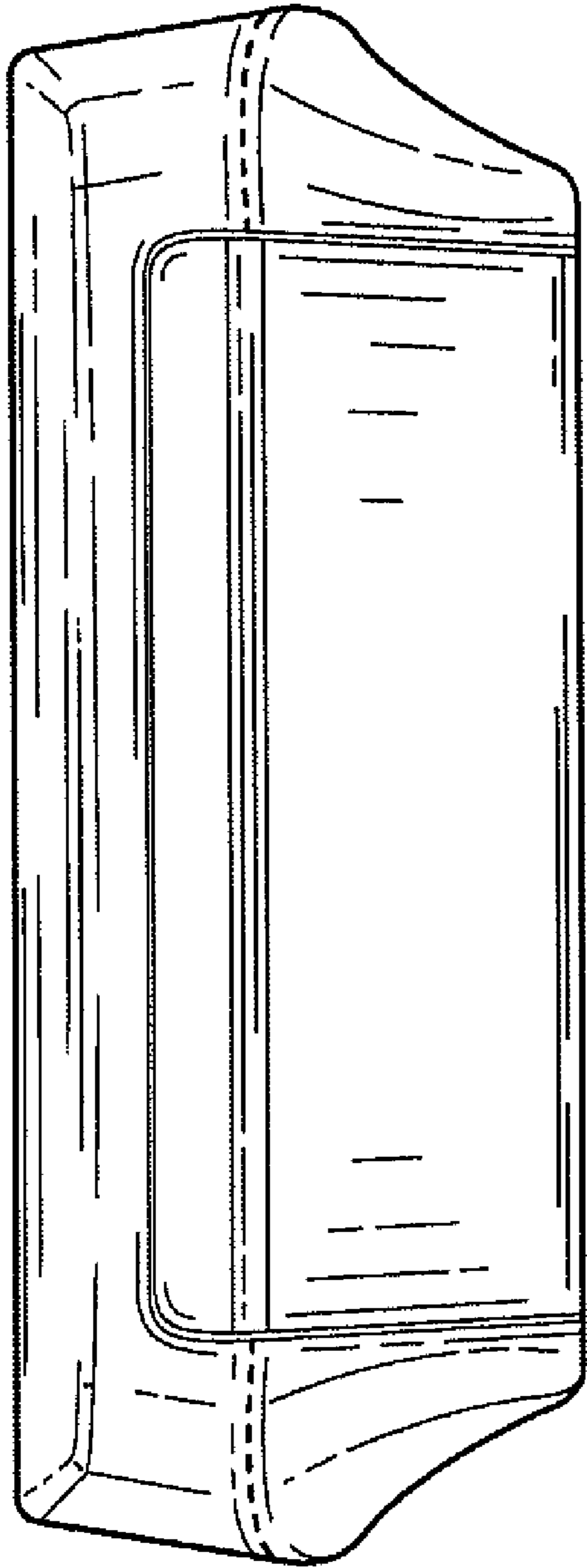


FIG. 5

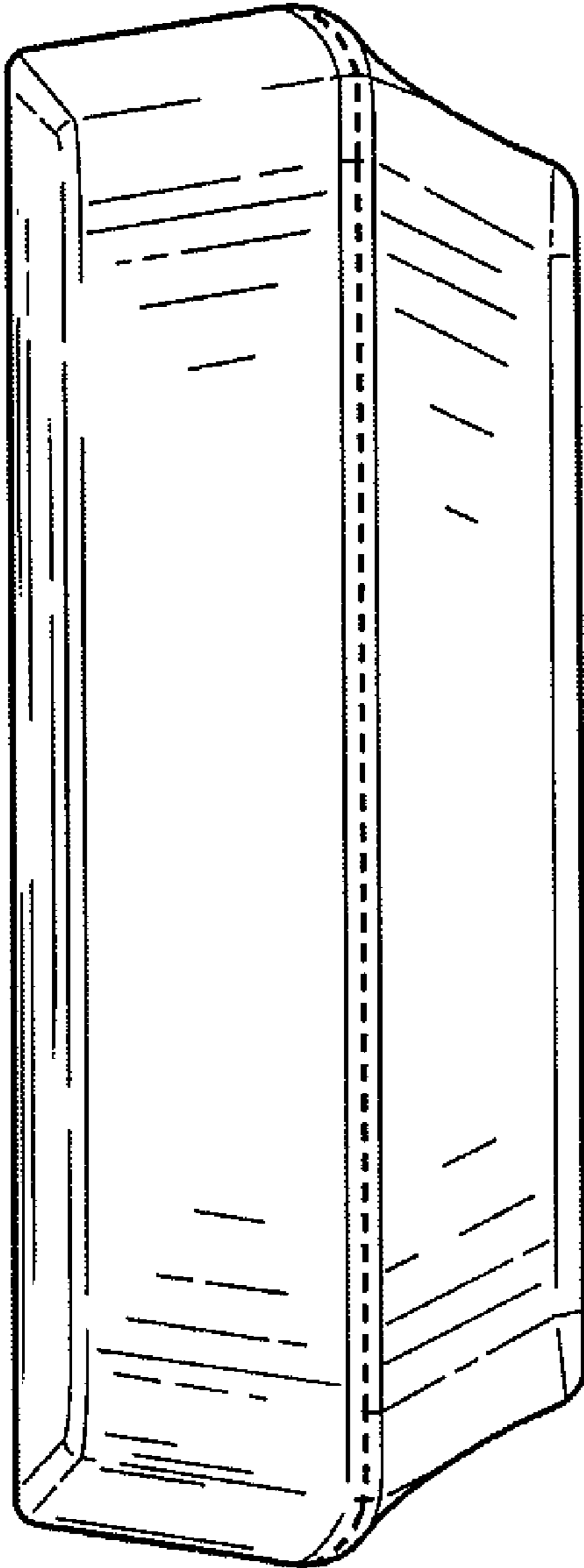


FIG. 6



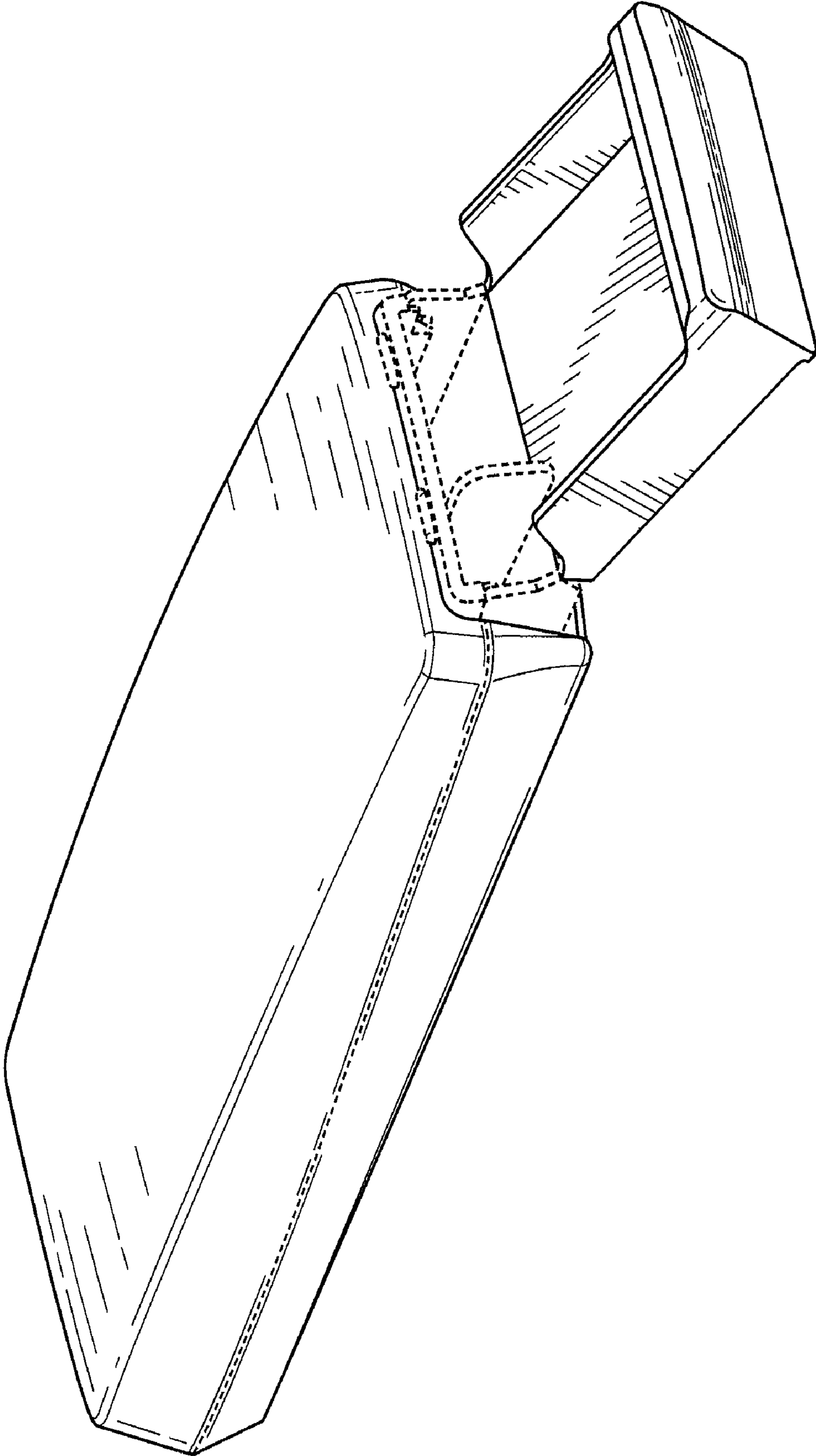


FIG. 7

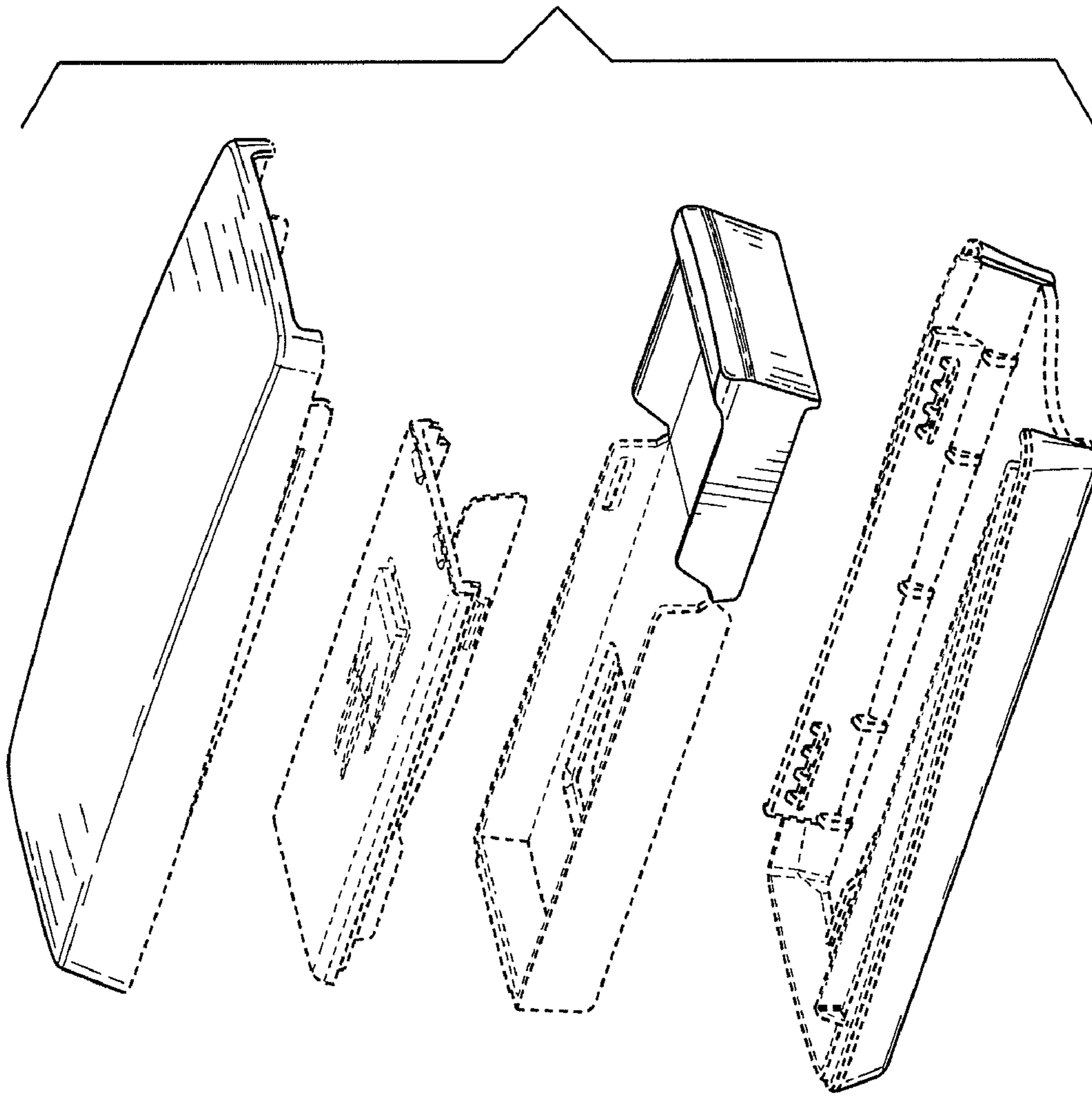


FIG. 8

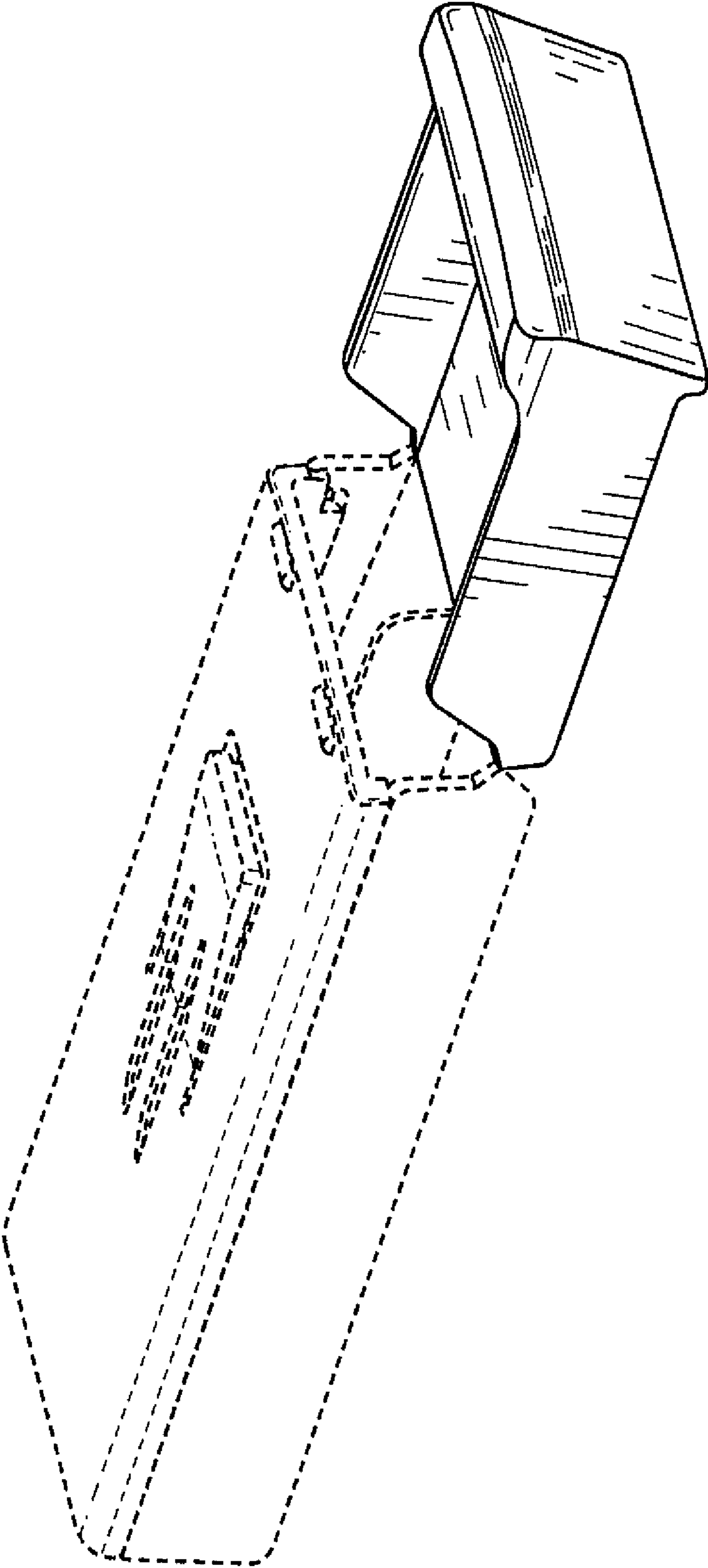


FIG. 9

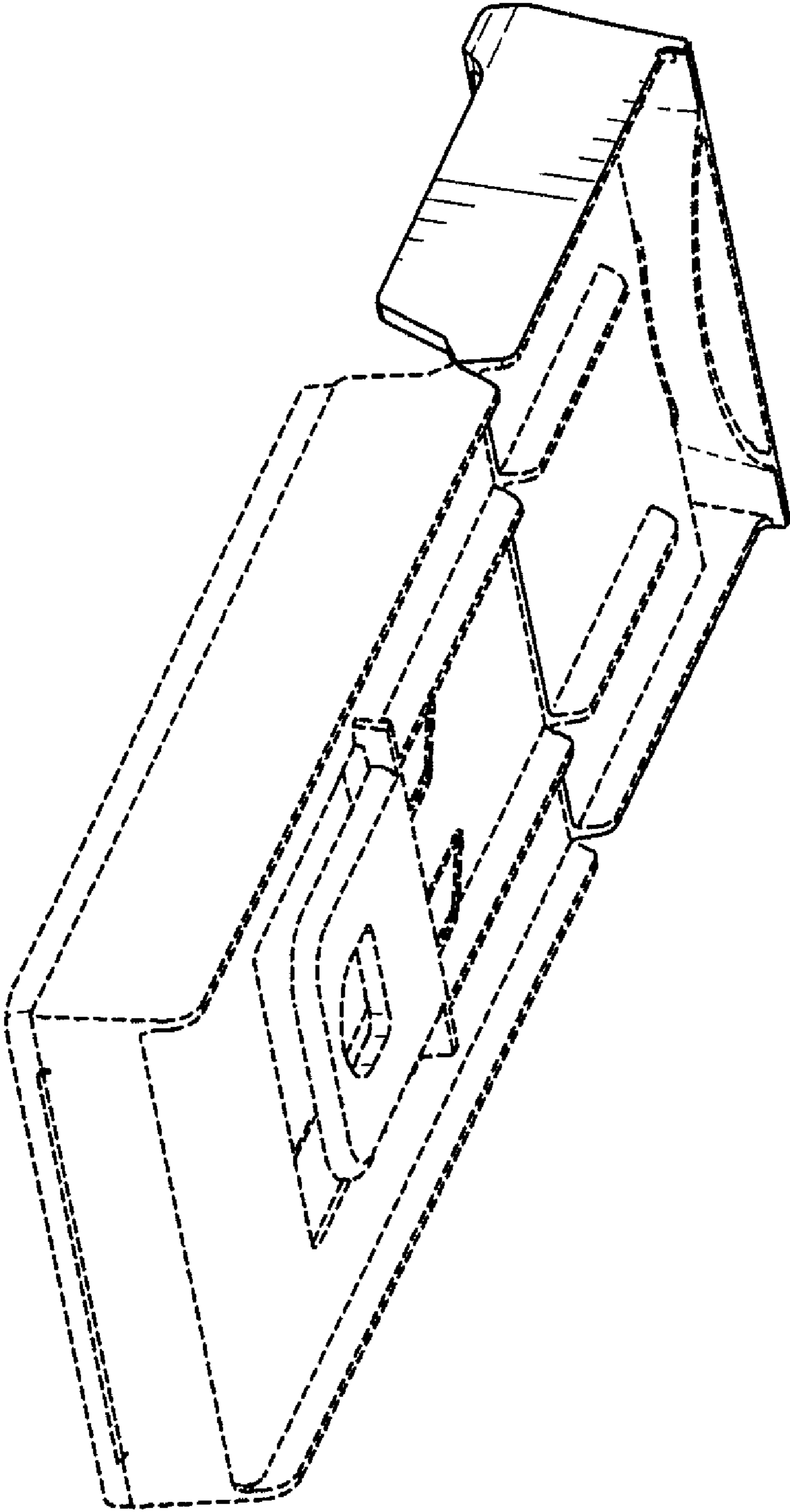


FIG. 10

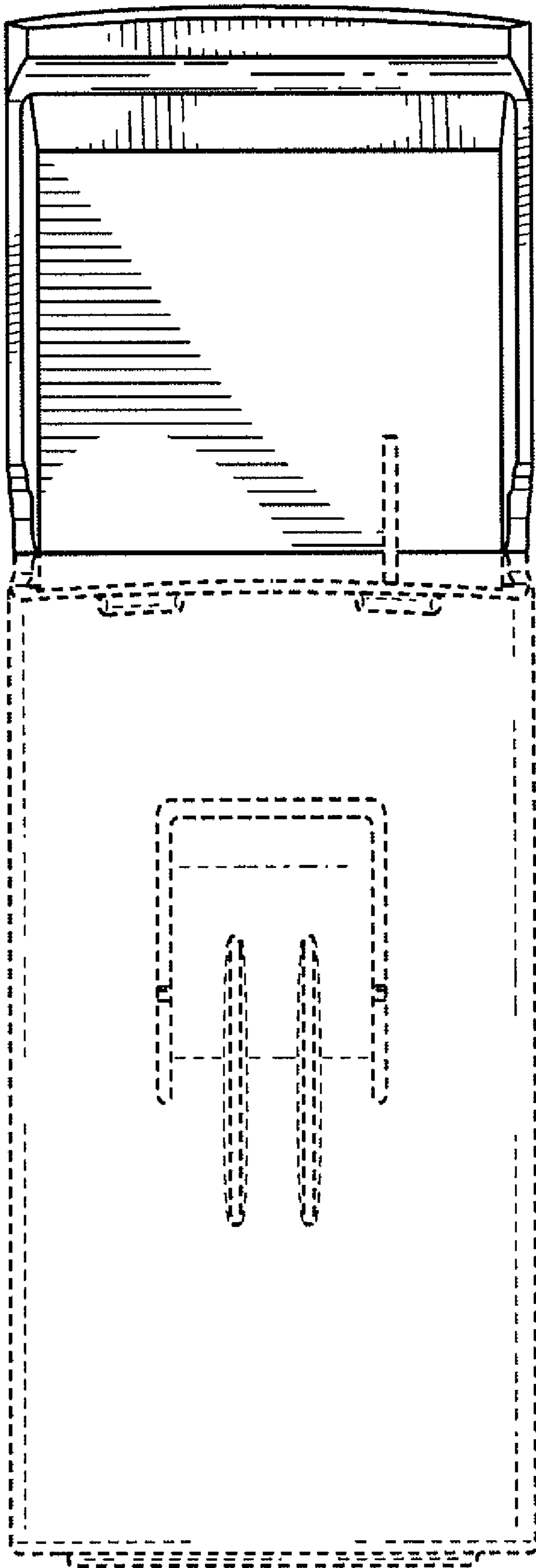


FIG. 11

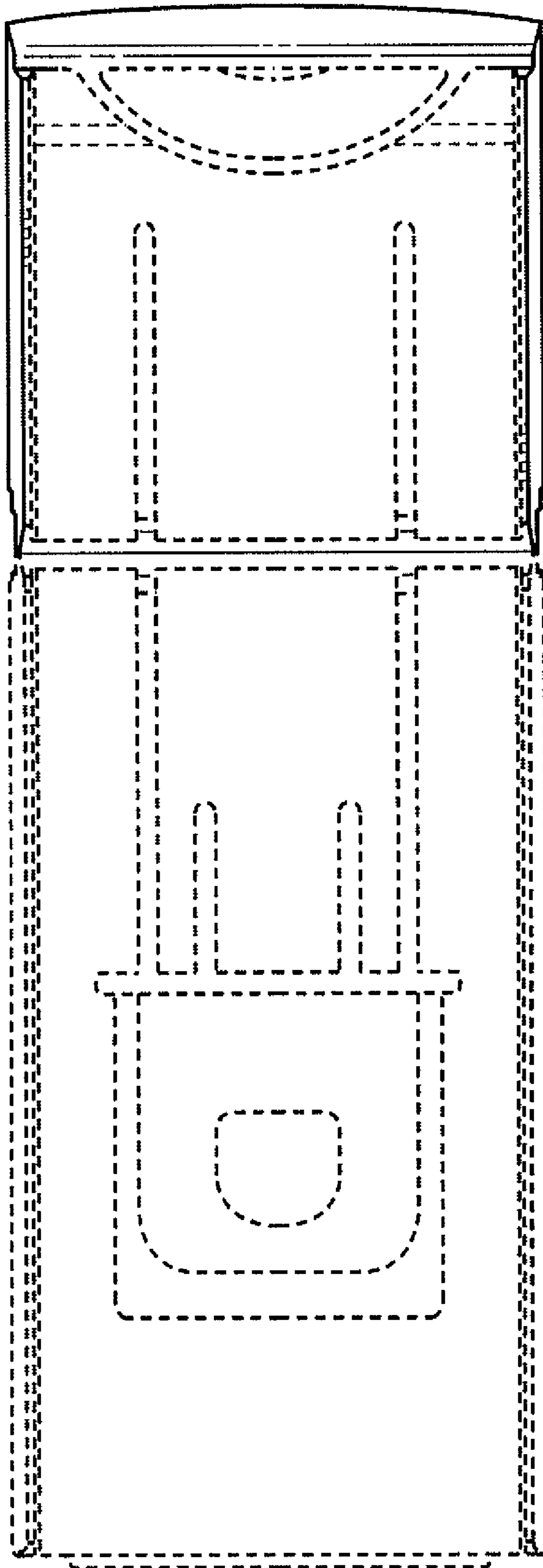


FIG. 12

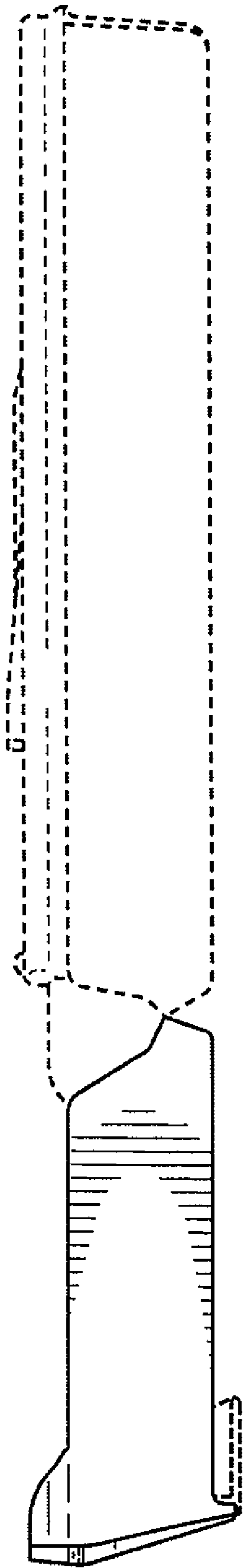


FIG. 13

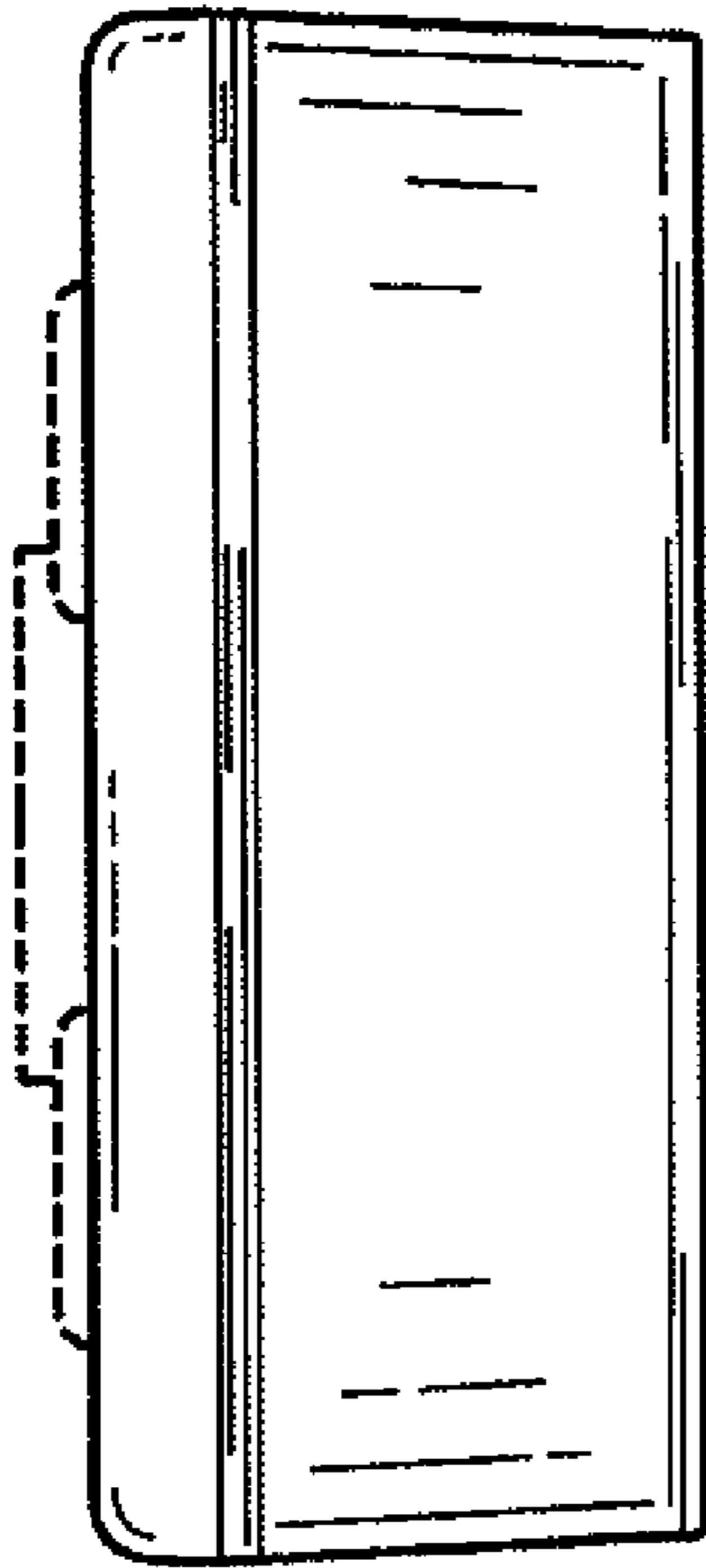


FIG. 14



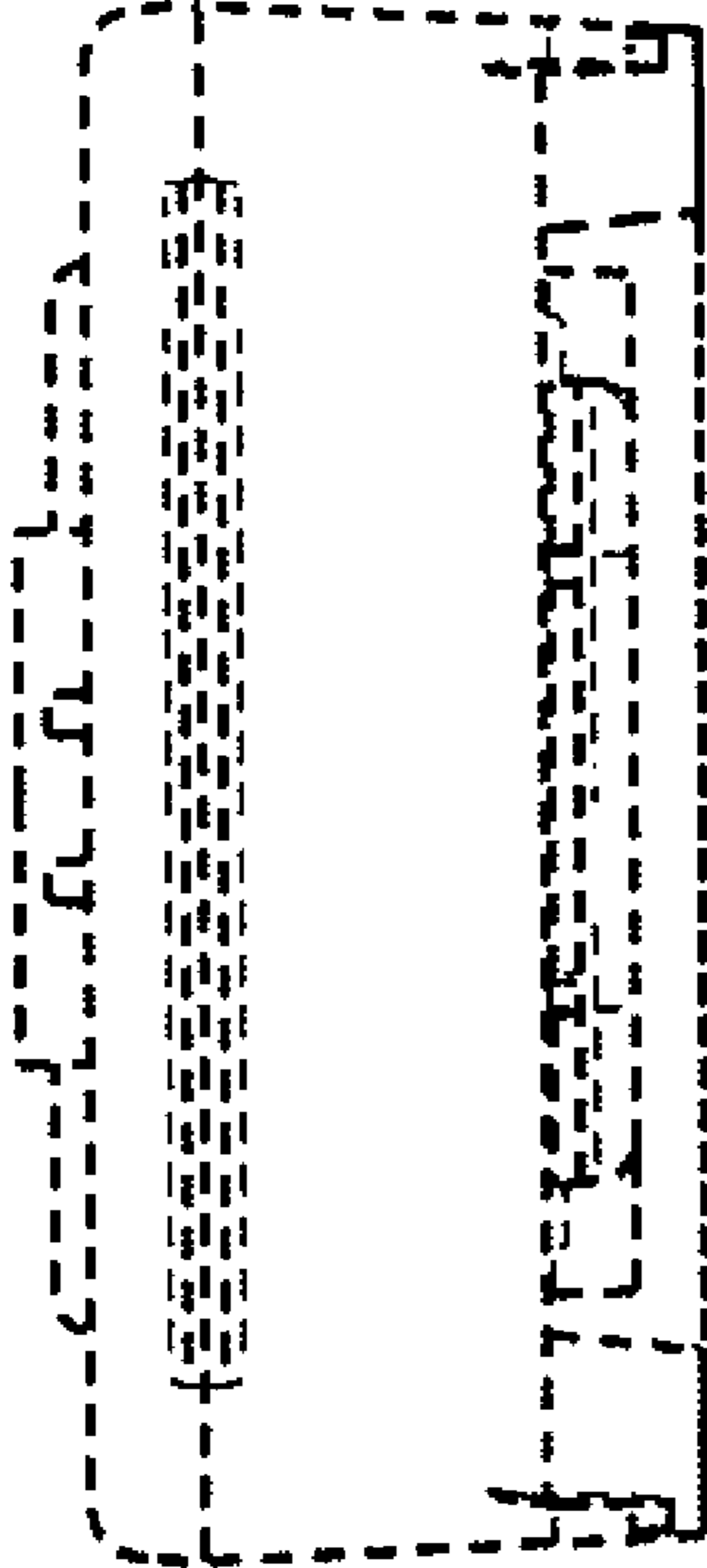


FIG. 15

UNITED STATES PATENT AND TRADEMARK OFFICE  
**CERTIFICATE OF CORRECTION**

PATENT NO. : D625,178 S  
APPLICATION NO. : 29/342212  
DATED : October 12, 2010  
INVENTOR(S) : Bailey et al.

Page 1 of 1

It is certified that error appears in the above-identified patent and that said Letters Patent is hereby corrected as shown below:

Title Page, Item (73)

On page 1, (73) Assignee section, please amend R. J. Reynolds Tobacco Company[[, Inc.]]

The correct name on the recorded assignment is R. J. Reynolds Tobacco Company.

Signed and Sealed this  
Third Day of May, 2011

A handwritten signature in black ink that reads "David J. Kappos". The signature is written in a cursive, slightly slanted style.

David J. Kappos  
*Director of the United States Patent and Trademark Office*