



US00D625177S

(12) **United States Design Patent**  
**Seum et al.**

(10) **Patent No.:** **US D625,177 S**  
(45) **Date of Patent:** **\*\* Oct. 12, 2010**

(54) **CARTON FOR STORING SUBSTRATES**

(75) Inventors: **Susie Marie Seum**, Cincinnati, OH (US); **Marilyn Gale Perkins-Stanford**, Goshen, OH (US); **Tom Patrick Collins**, Mason, OH (US); **Ida Abdalkhani**, Cincinnati, OH (US)

(73) Assignee: **The Procter & Gamble Company**, Cincinnati, OH (US)

(\*\*) Term: **14 Years**

(21) Appl. No.: **29/353,713**

(22) Filed: **Jan. 13, 2010**

**Related U.S. Application Data**

(62) Division of application No. 29/307,844, filed on May 15, 2008, now Pat. No. Des. 610,447, which is a division of application No. 29/293,335, filed on Nov. 16, 2007, now Pat. No. Des. 601,415.

(51) **LOC (9) Cl.** ..... **09-03**

(52) **U.S. Cl.** ..... **D9/418**

(58) **Field of Classification Search** ..... D9/414-418, D9/420; D7/591, 615, 629; 206/315.9, 485, 206/521.1, 539, 564, 541, 546, 588, 766, 206/779, 822

See application file for complete search history.

(56) **References Cited**

**U.S. PATENT DOCUMENTS**

916,986 A \* 4/1909 Bapp ..... 206/521  
2,749,017 A \* 6/1956 Kravitz ..... 206/521  
3,062,367 A \* 11/1962 Holy ..... 206/775  
D216,871 S \* 3/1970 Wyncota ..... D9/418  
D232,811 S \* 9/1974 Edgeington et al. .... D9/418  
D275,837 S \* 10/1984 Poelvoorde ..... D9/418

D380,964 S \* 7/1997 Miller et al. .... D9/415  
D422,497 S \* 4/2000 Huntley ..... D9/627  
D434,654 S \* 12/2000 McCool ..... D9/432  
D462,264 S \* 9/2002 Barr et al. .... D9/416  
D494,060 S \* 8/2004 Izen et al. .... D9/418  
D499,019 S \* 11/2004 Sagmeister et al. .... D9/418  
D502,392 S \* 3/2005 Maher et al. .... D9/418  
D573,014 S \* 7/2008 Hetrick ..... D9/418  
7,600,647 B2 \* 10/2009 Strickler et al. .... 215/11.6

\* cited by examiner

*Primary Examiner*—Susan E Krakower

(74) *Attorney, Agent, or Firm*—Gary J. Foose

(57) **CLAIM**

The ornamental design for a carton for storing substrates, as shown and described.

**DESCRIPTION**

FIG. 1 is a perspective view of a carton for storing substrates in accordance with the present invention;

FIG. 2 is a top planar view of the carton for storing substrates of FIG. 1;

FIG. 3 is a bottom planar view of the carton for storing substrates of FIG. 1;

FIG. 4 is a frontal view of the carton for storing substrates of FIG. 1;

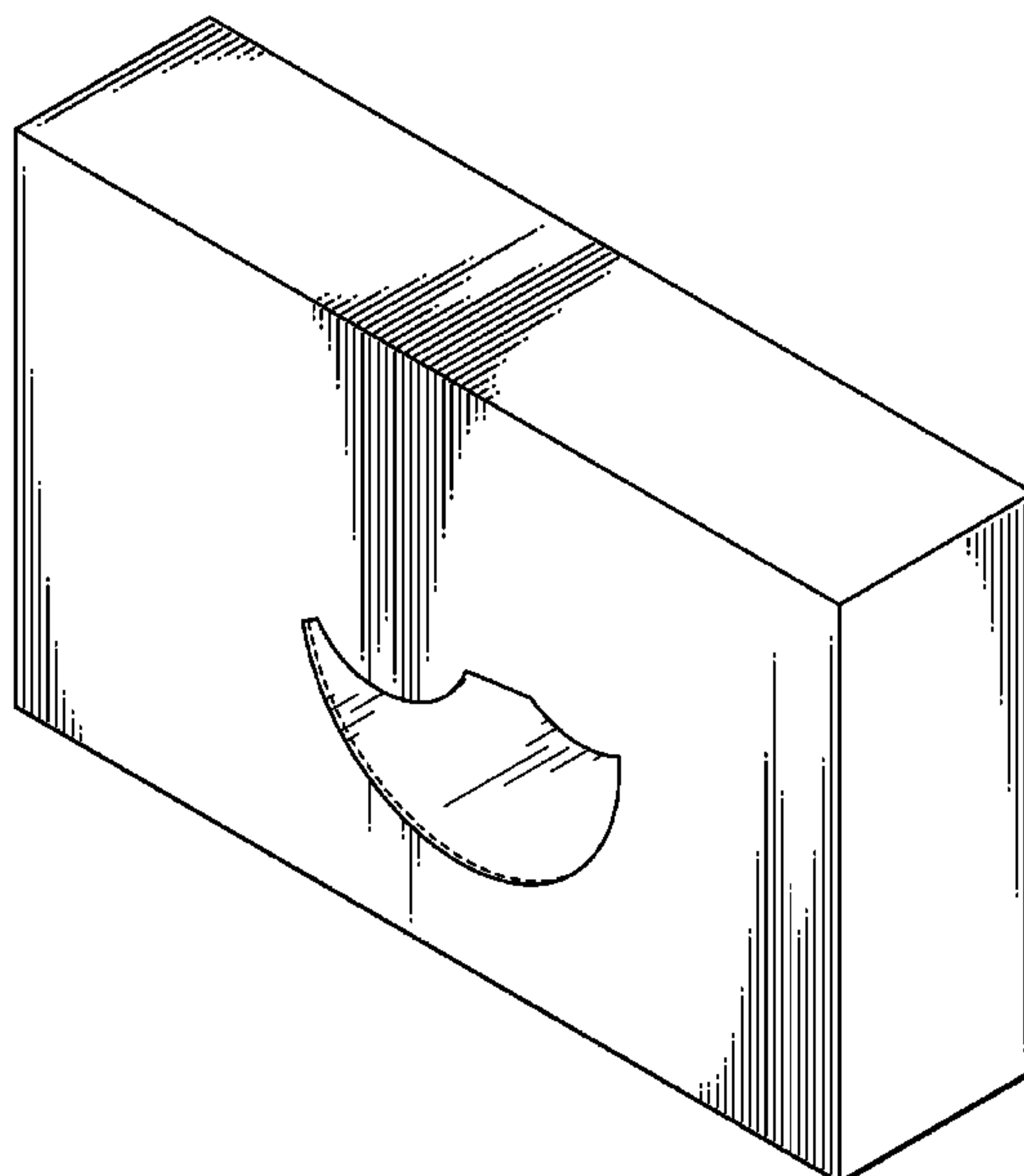
FIG. 5 is a rear view of the carton for storing substrates of FIG. 1;

FIG. 6 is a side view of the carton for storing substrates of FIG. 1; and,

FIG. 7 is an opposite side view of the carton for storing substrates of FIG. 1.

The broken lines illustrate portions of the carton for storing substrates which form no part of the claimed design.

**1 Claim, 3 Drawing Sheets**



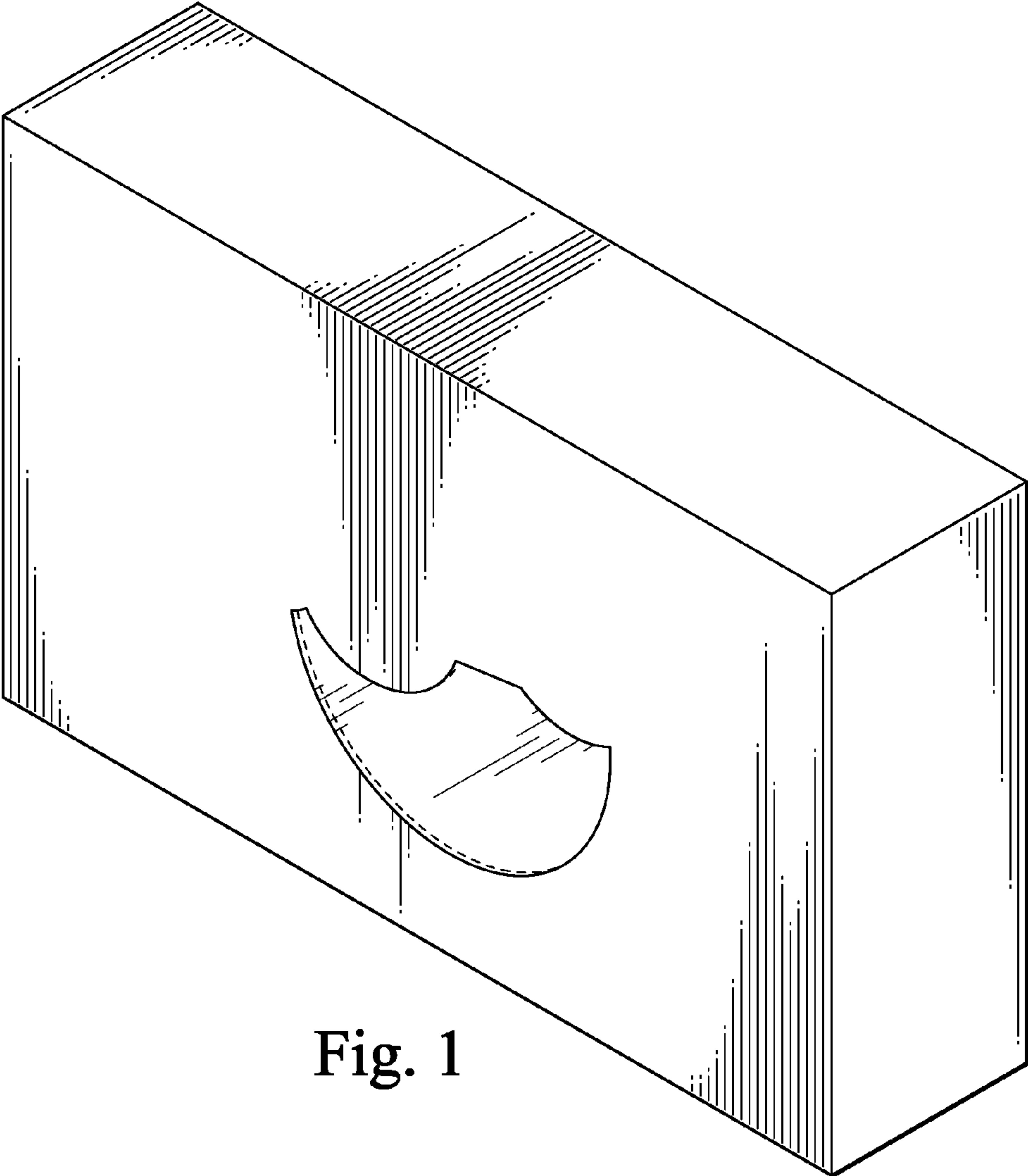


Fig. 1

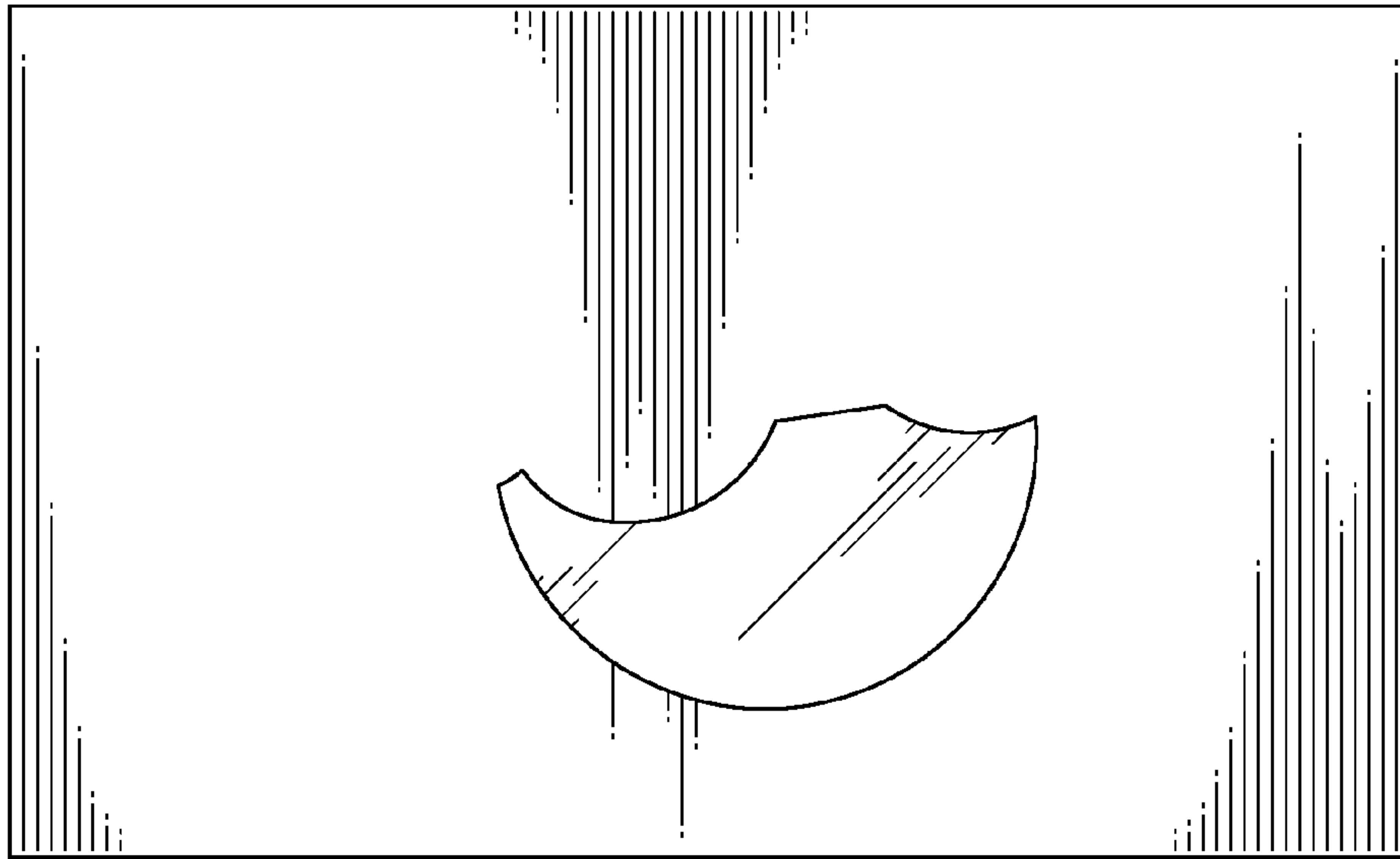


Fig. 2

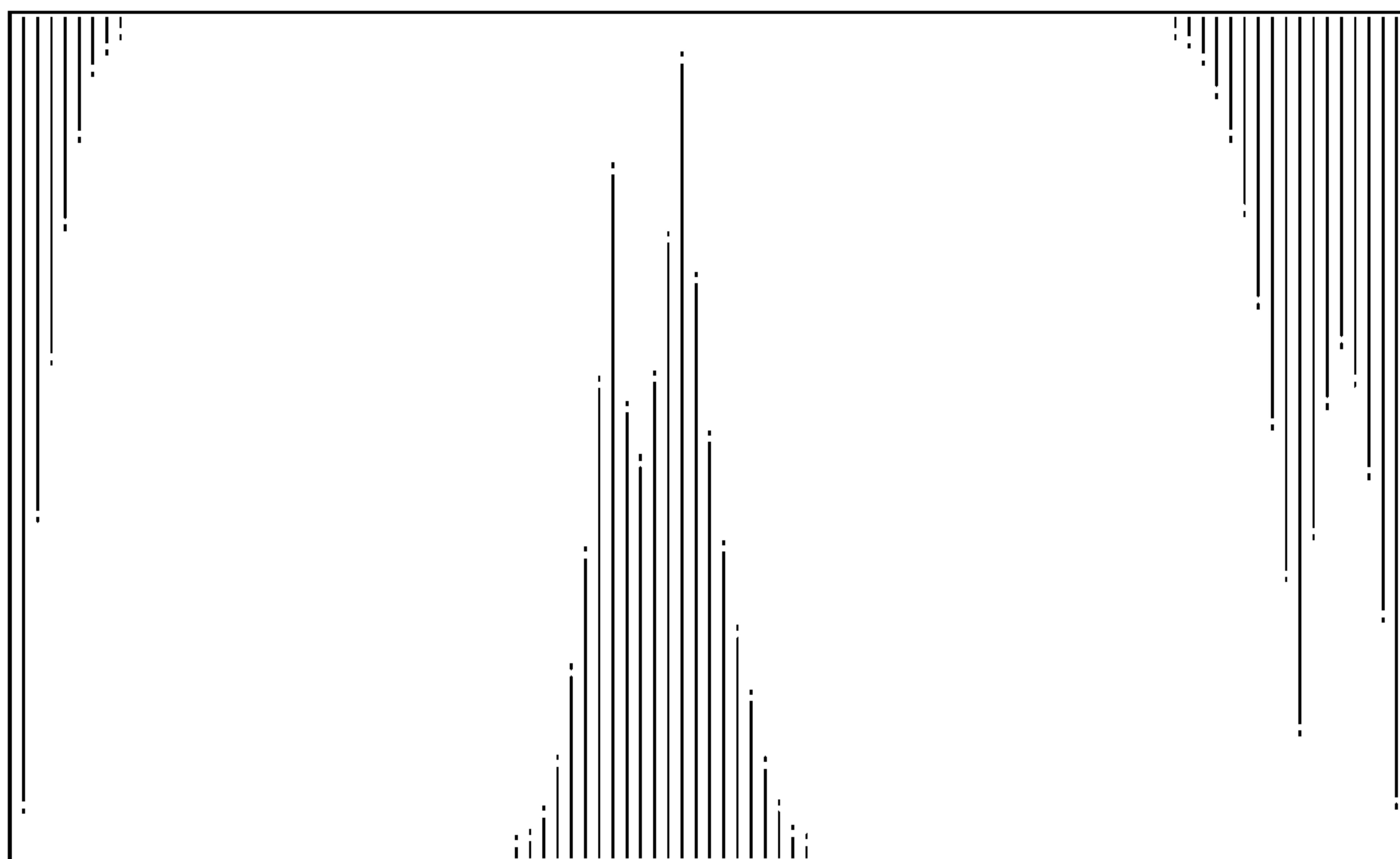


Fig. 3

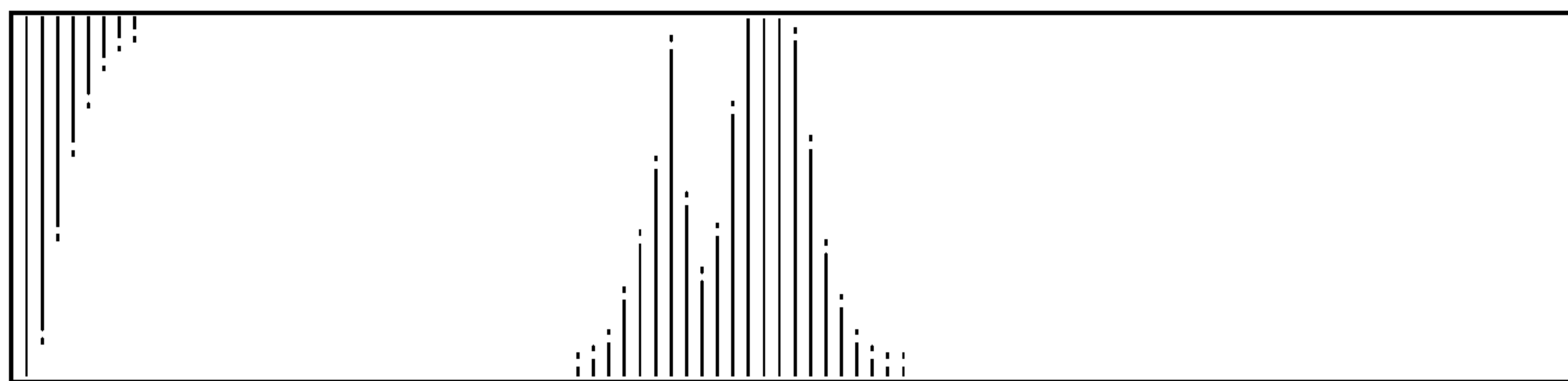


Fig. 4

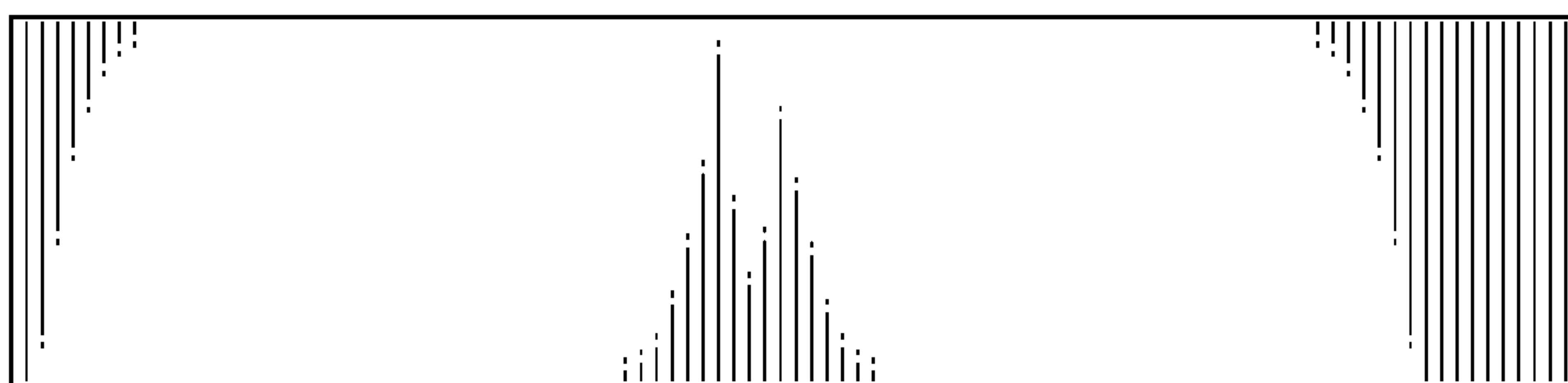


Fig. 5

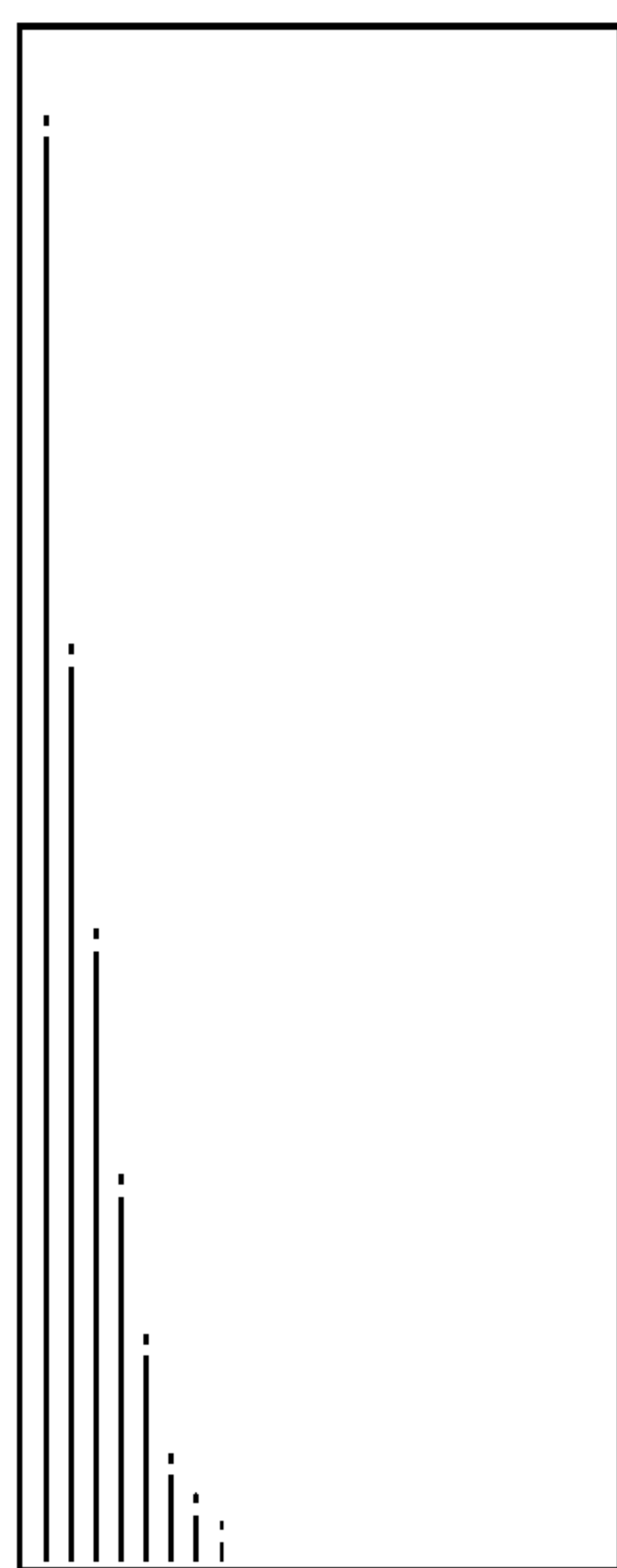


Fig. 6

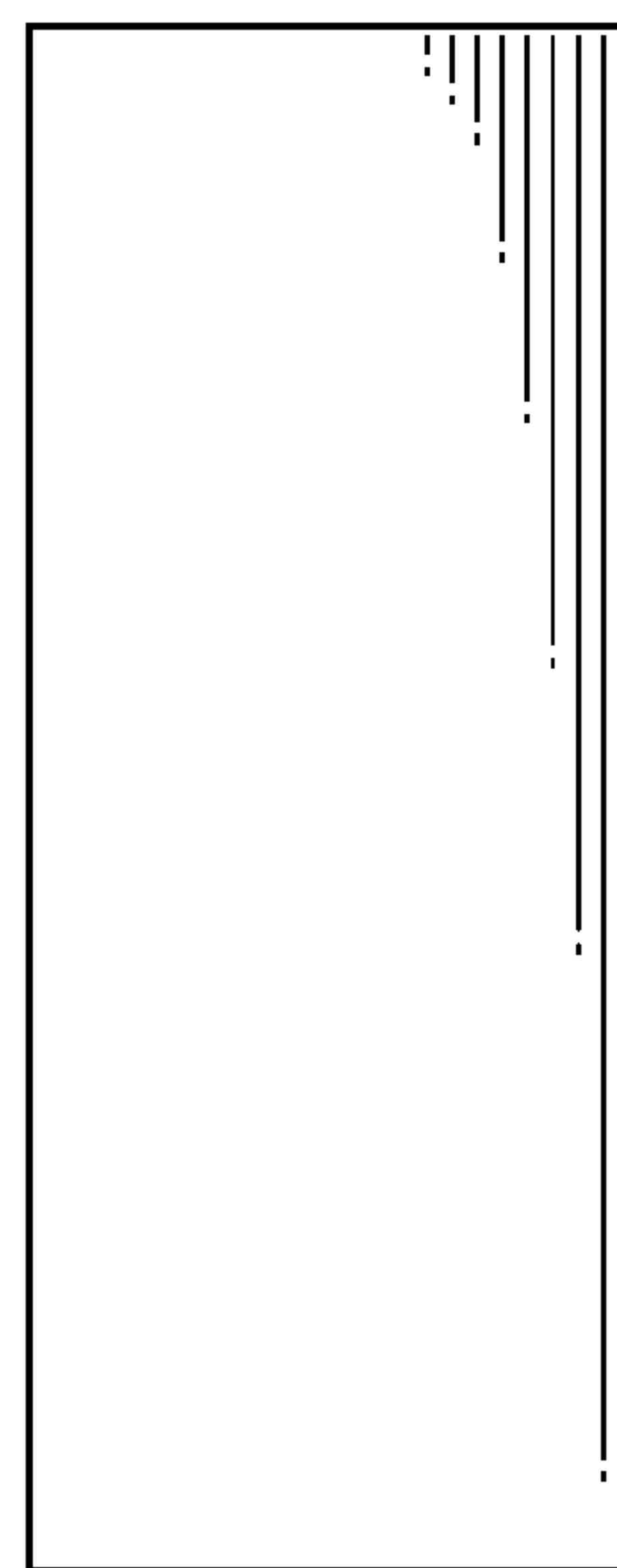


Fig. 7