



US00D625175S

(12) **United States Design Patent**
Balcell Comas

(10) **Patent No.:** **US D625,175 S**

(45) **Date of Patent:** **** Oct. 12, 2010**

(54) **CLAMP**

(75) Inventor: **Eduardo Balcell Comas**, Sabadell (ES)

(73) Assignee: **Mikalor, S.A.**, Sabadell, Barcelona (ES)

(**) Term: **14 Years**

(21) Appl. No.: **29/302,818**

(22) Filed: **Jan. 25, 2008**

(30) **Foreign Application Priority Data**

Jul. 31, 2007 (EM) 000766530

(51) **LOC (9) Cl.** **08-08**

(52) **U.S. Cl.** **D8/396**

(58) **Field of Classification Search** D8/396;
D23/265; 24/274 R, 279; 285/252, 253
See application file for complete search history.

(56) **References Cited**

U.S. PATENT DOCUMENTS

- 3,006,663 A * 10/1961 Bowne 285/233
- 4,365,393 A * 12/1982 Hauffe et al. 24/279
- 5,010,626 A * 4/1991 Dominguez 24/279

- 5,137,305 A * 8/1992 Straub 285/112
- 6,490,765 B2 * 12/2002 Anthes et al. 24/279
- D546,666 S * 7/2007 Mohlin et al. D8/396
- 7,441,311 B2 * 10/2008 Lovgren et al. 24/279
- 2008/0184536 A1 * 8/2008 Rigollet et al. 24/279

* cited by examiner

Primary Examiner—Cathron C Brooks

Assistant Examiner—John Windmuller

(74) *Attorney, Agent, or Firm*—Shoemaker and Mattare

(57) **CLAIM**

The ornamental design for a clamp, as shown and described.

DESCRIPTION

FIG. 1 is a front elevational view of a clamp, showing my new design;

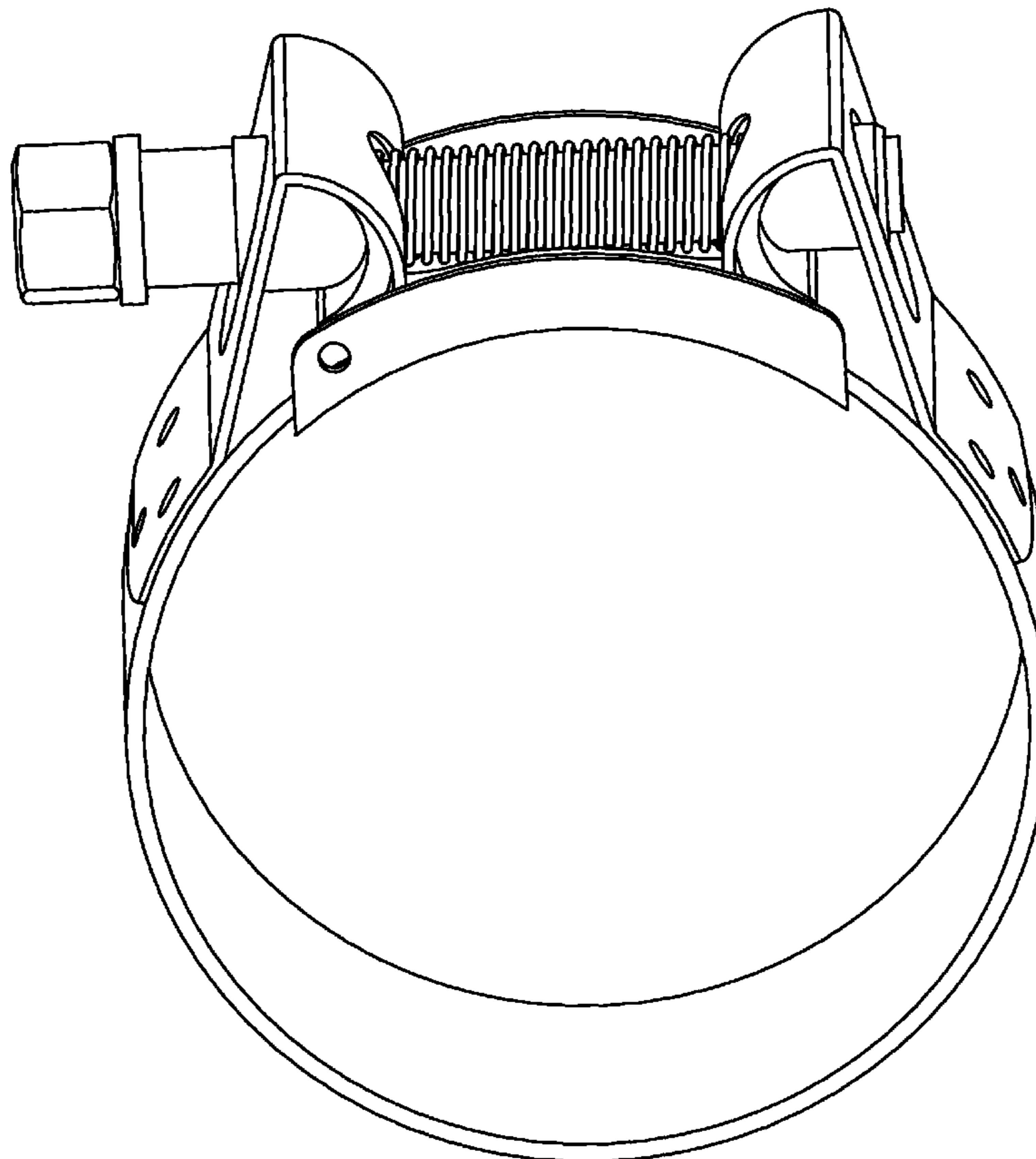
FIG. 2 is a right side elevational view thereof;

FIG. 3 is a left side elevational view thereof;

FIG. 4 is a top plan view thereof; and,

FIG. 5 is a perspective view thereof, showing the clamp from the top and front.

1 Claim, 5 Drawing Sheets



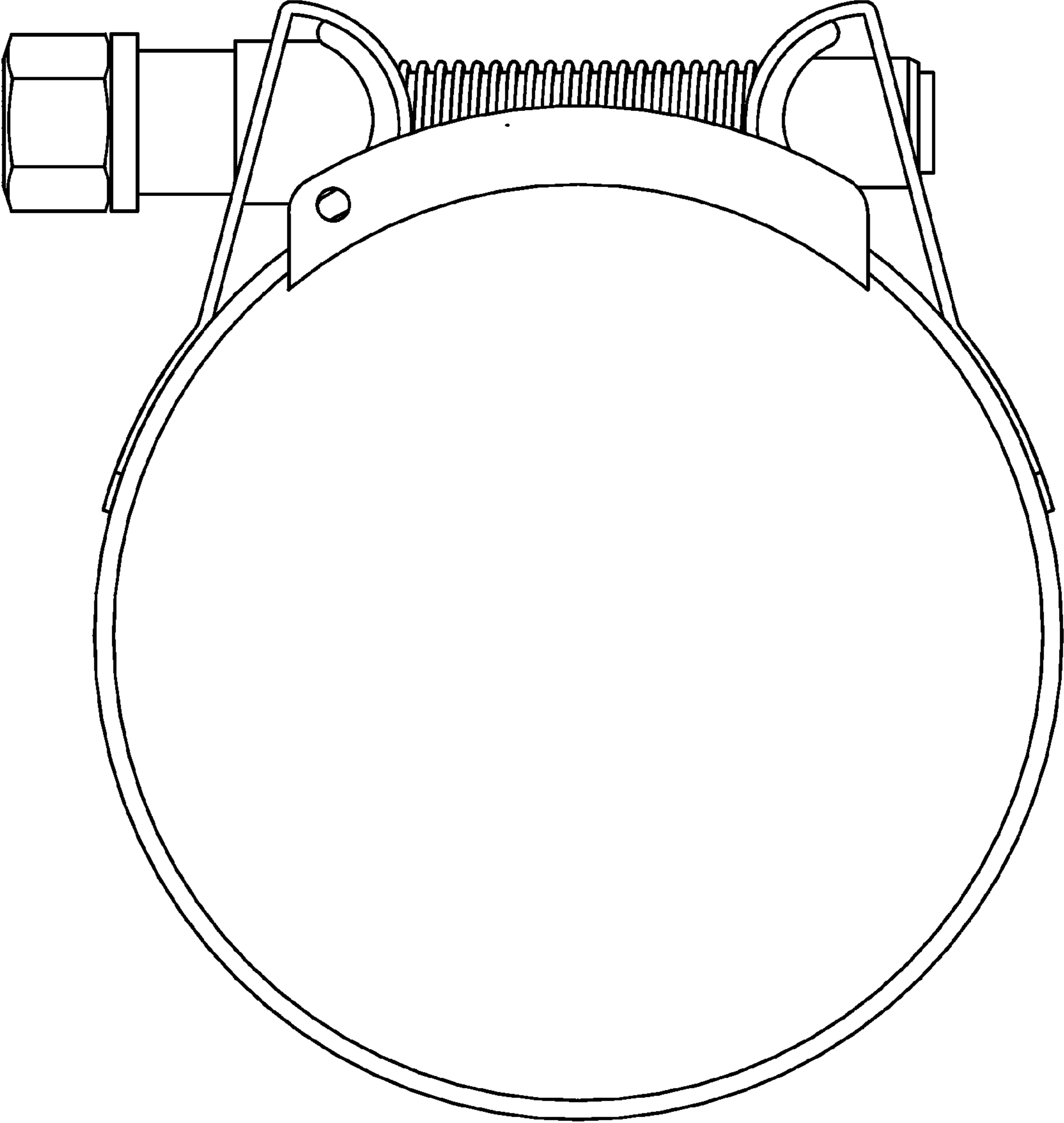


Fig. 1

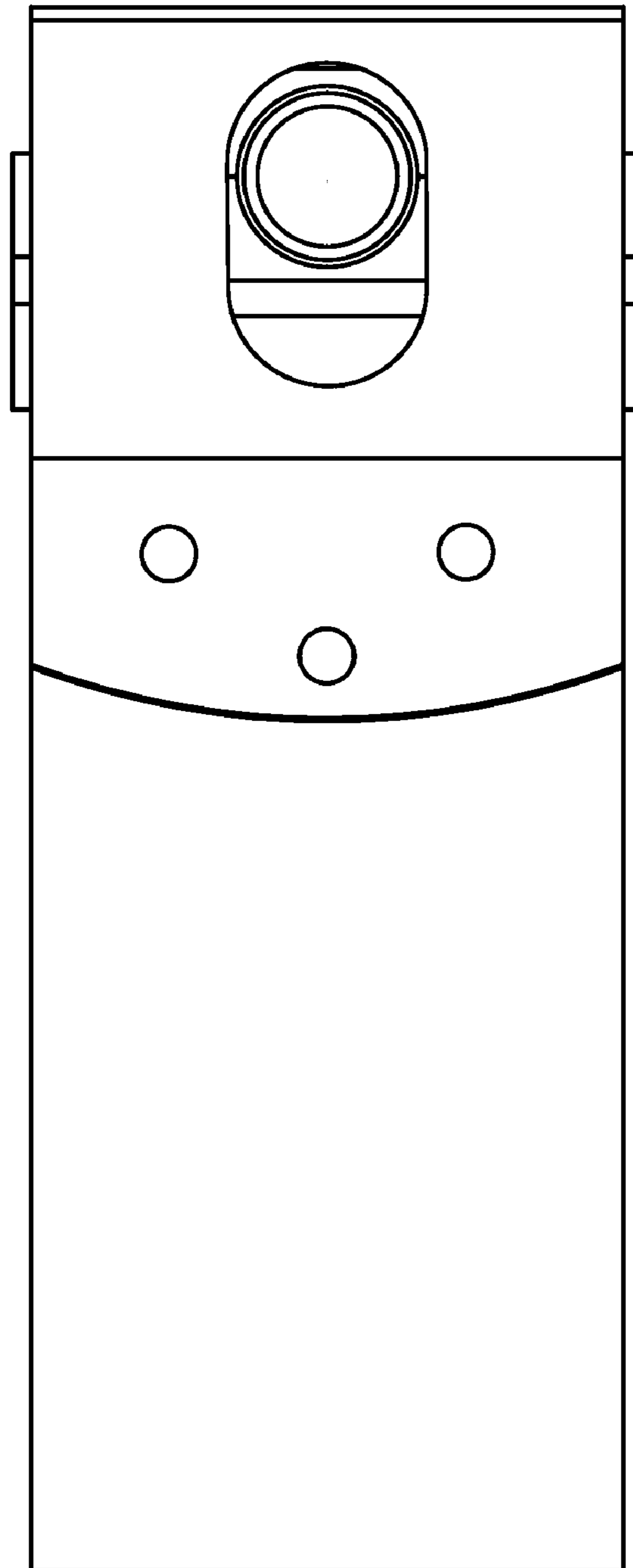


Fig. 2

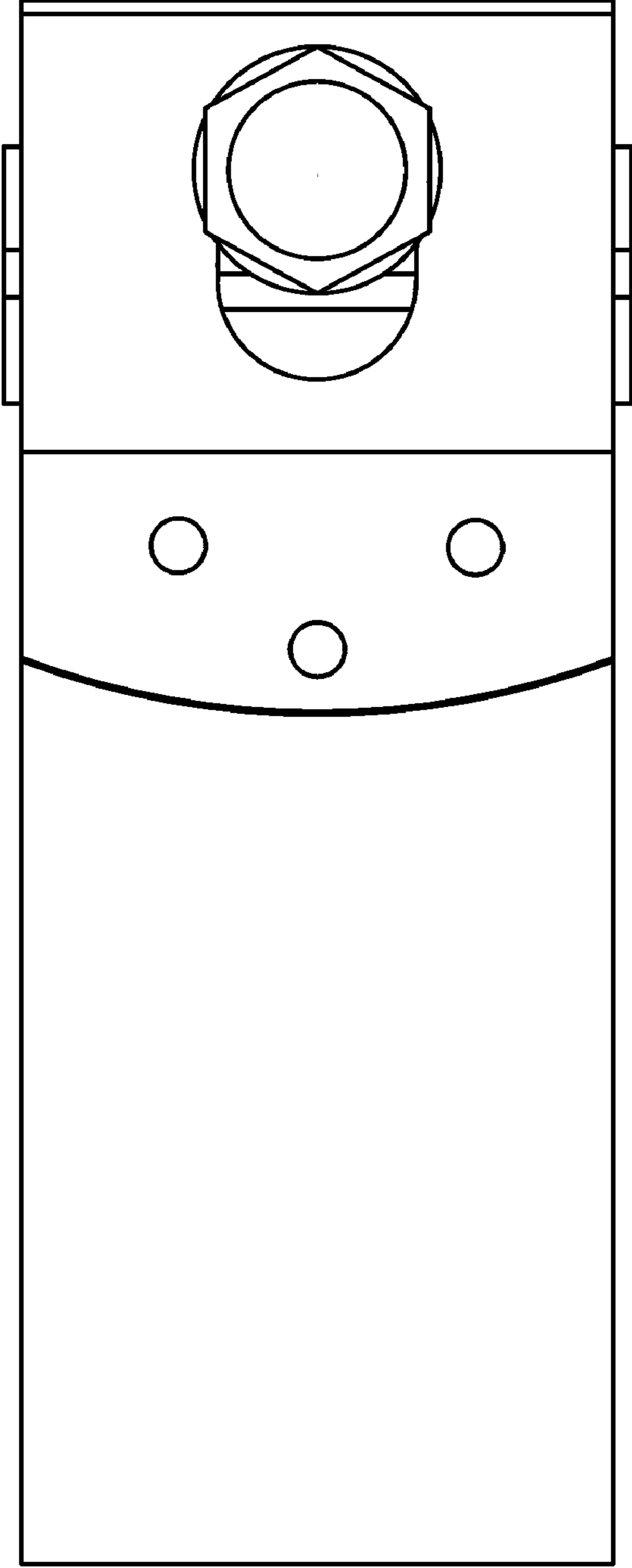


Fig. 3

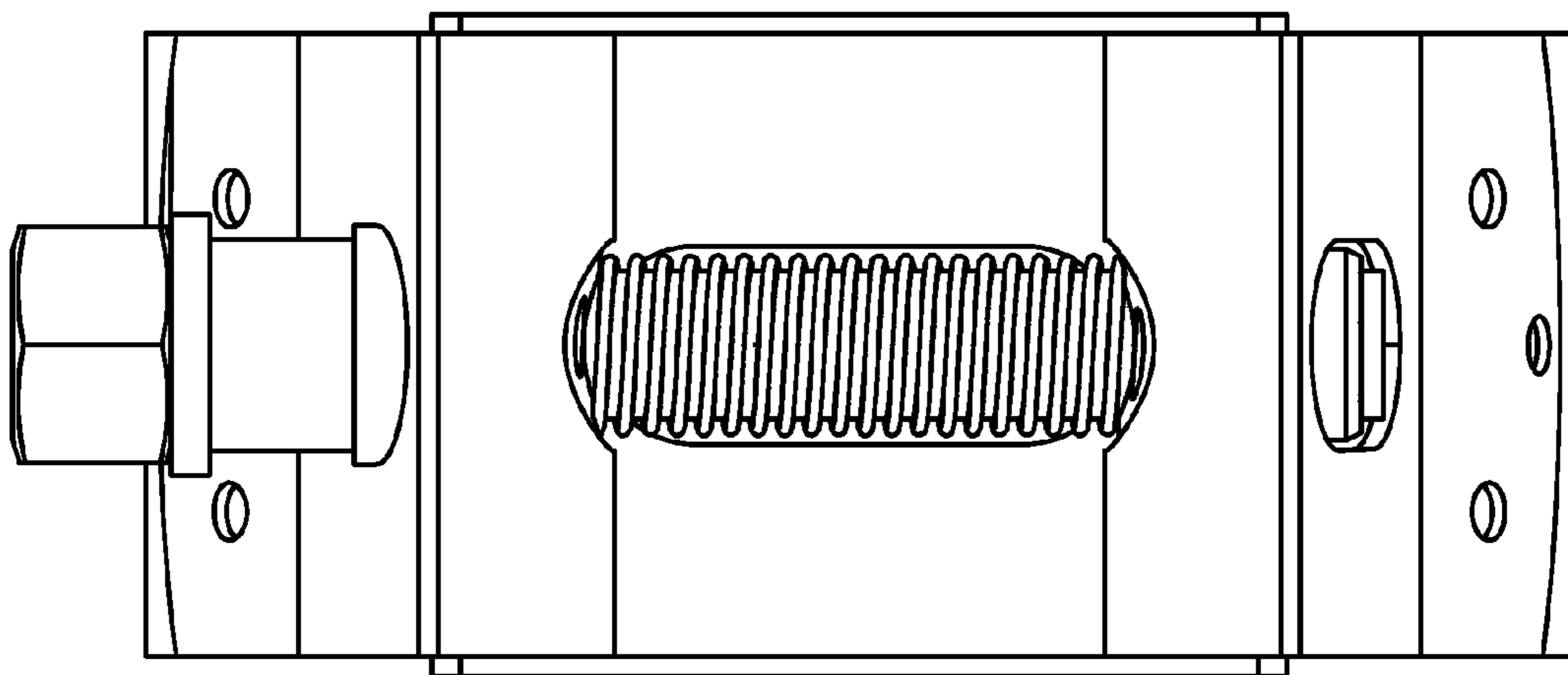


Fig. 4

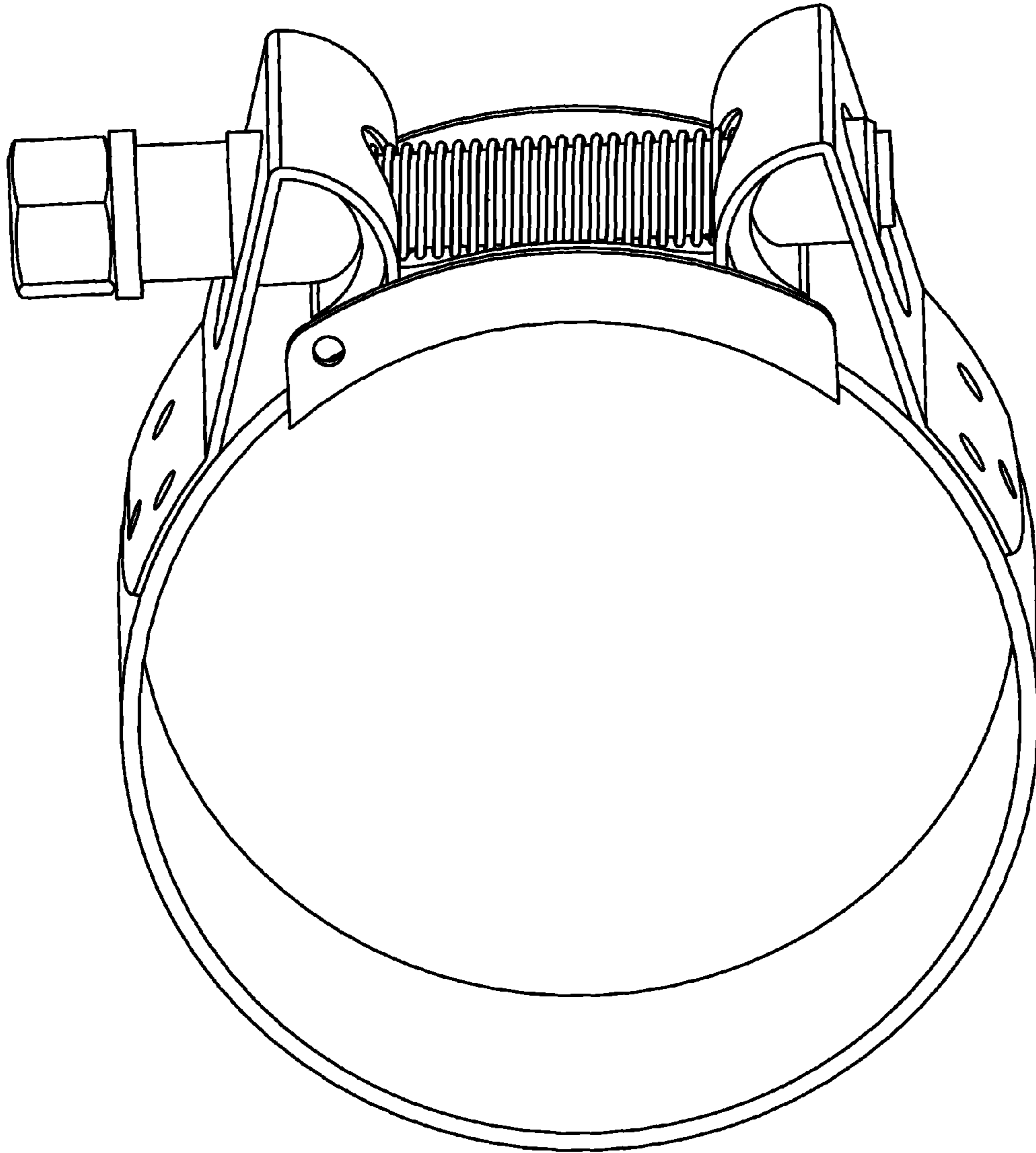


Fig. 5