



US00D625174S

(12) **United States Design Patent**  
**Karekar et al.**

(10) **Patent No.:** **US D625,174 S**  
(45) **Date of Patent:** **\*\* Oct. 12, 2010**

(54) **SACHET CLOSING DEVICE**  
(75) Inventors: **Shyamsunder Balakrishna Karekar**,  
Bangalore (IN); **Nived Chandroth**  
**Korambeth**, Bangalore (IN)  
(73) Assignee: **Conopco Inc.**, Englewood Cliffs, NJ  
(US)  
(\*\*) Term: **14 Years**  
(21) Appl. No.: **29/355,853**  
(22) Filed: **Feb. 16, 2010**  
(30) **Foreign Application Priority Data**  
Aug. 18, 2009 (GB) ..... 4012193  
(51) **LOC (9) Cl.** ..... **08-08**  
(52) **U.S. Cl.** ..... **D8/394**  
(58) **Field of Classification Search** ..... D8/354,  
D8/356, 371, 394-396; D19/65, 86; D24/128;  
248/74.2, 215, 227.1, 49, 300, 301, 316.7,  
248/51, 489; 24/570, 3.12, 30.5 R; D9/434,  
D9/435, 443, 453  
See application file for complete search history.

(56) **References Cited**  
U.S. PATENT DOCUMENTS  
4,296,529 A \* 10/1981 Brown ..... 24/30.5 P  
D264,689 S \* 6/1982 Miller ..... D9/434  
D275,372 S \* 9/1984 Price et al. .... D9/434  
D299,008 S \* 12/1988 Naslund ..... D9/443  
D301,548 S \* 6/1989 Weaver ..... D9/434

4,887,335 A \* 12/1989 Folkmar ..... 24/30.5 R  
5,050,272 A \* 9/1991 Robinson et al. .... 24/30.5 R  
D333,786 S \* 3/1993 Carroll ..... D9/435  
5,428,871 A \* 7/1995 Iosif ..... 24/30.5 R  
5,713,108 A \* 2/1998 Solomon et al. .... 24/30.5 R  
D423,353 S \* 4/2000 Blanchard et al. .... D9/435  
D431,004 S \* 9/2000 Naslund ..... D9/435  
D482,968 S \* 12/2003 Henriksson ..... D9/435  
6,904,646 B2 \* 6/2005 Reynolds ..... 24/30.5 R  
7,181,806 B2 \* 2/2007 Folkmar ..... 24/30.5 R  
7,334,300 B2 \* 2/2008 Fujii ..... 24/30.5 R  
D606,860 S \* 12/2009 Hill ..... D9/434

\* cited by examiner

*Primary Examiner*—Cathron C Brooks  
*Assistant Examiner*—John Windmuller  
(74) *Attorney, Agent, or Firm*—Rimma Mitelman

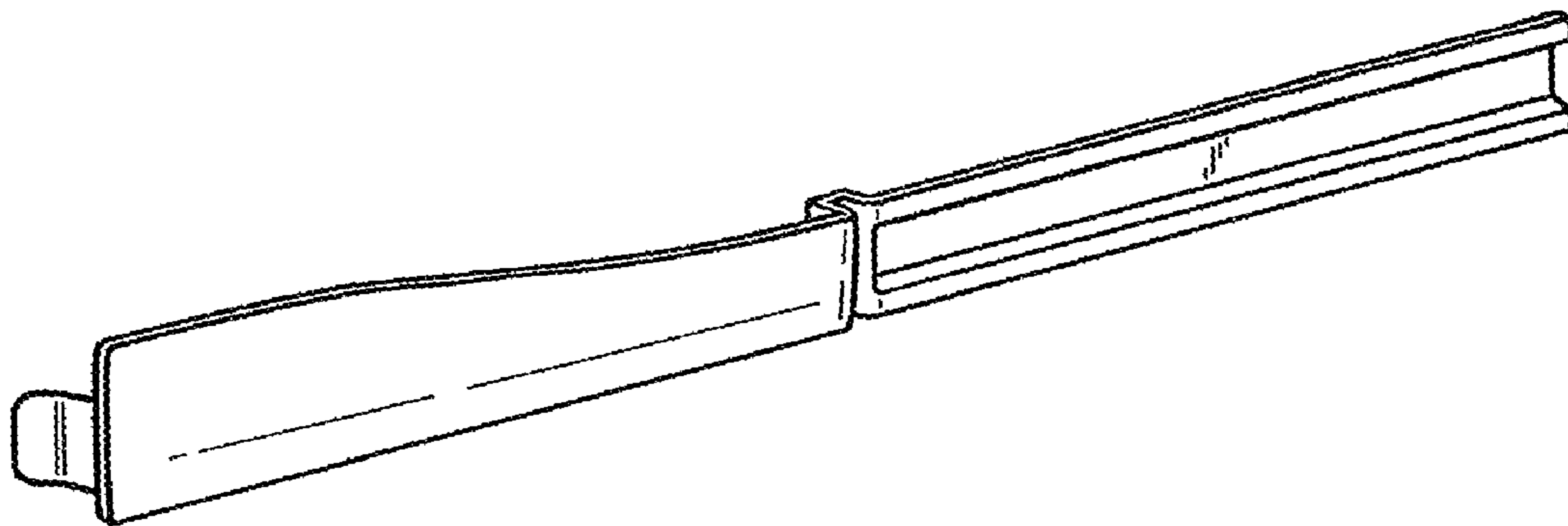
(57) **CLAIM**

The ornamental design for a sachet closing device, as shown and described.

**DESCRIPTION**

FIG. 1 is a front perspective view from above and one side of the sachet closing device;  
FIG. 2 is a front elevational view thereof;  
FIG. 3 is a rear elevational view thereof;  
FIG. 4 is a top plan view thereof;  
FIG. 5 is an underneath plan view thereof;  
FIG. 6 is a side view thereof; and,  
FIG. 7 is a view of the other side thereof.

**1 Claim, 2 Drawing Sheets**



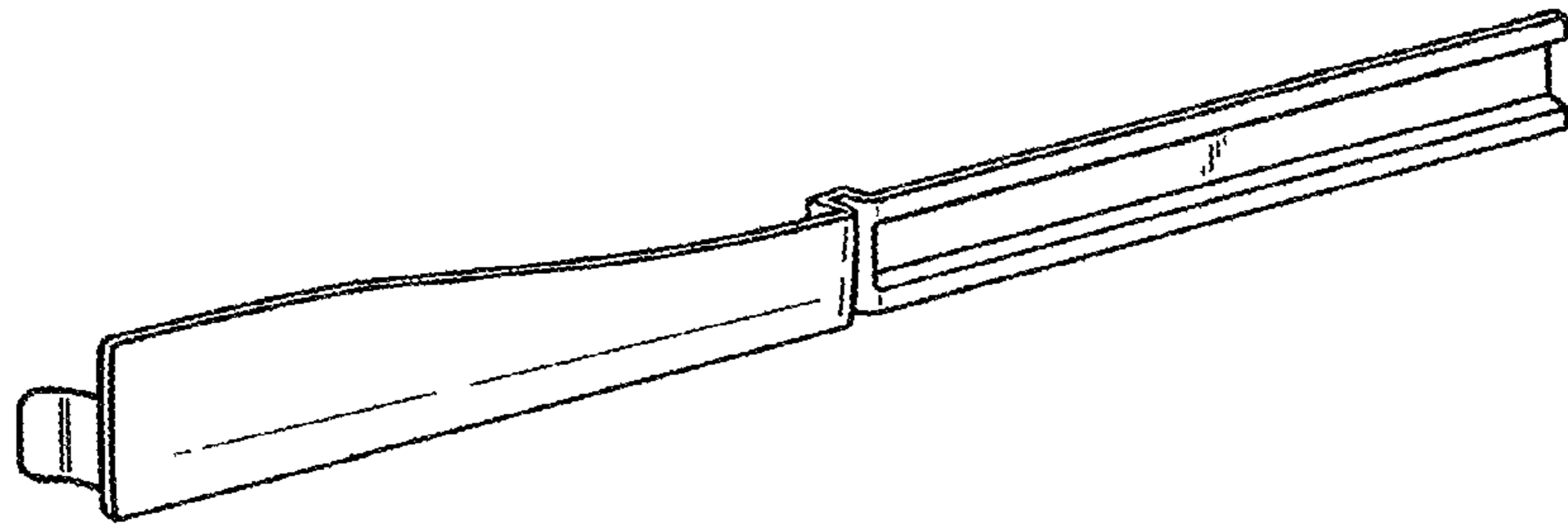


Fig.1.

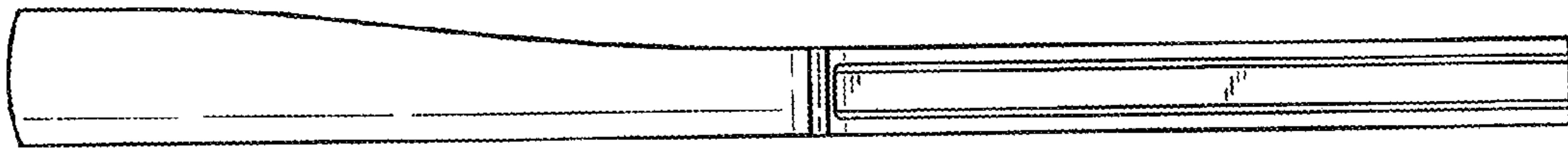


Fig.2.

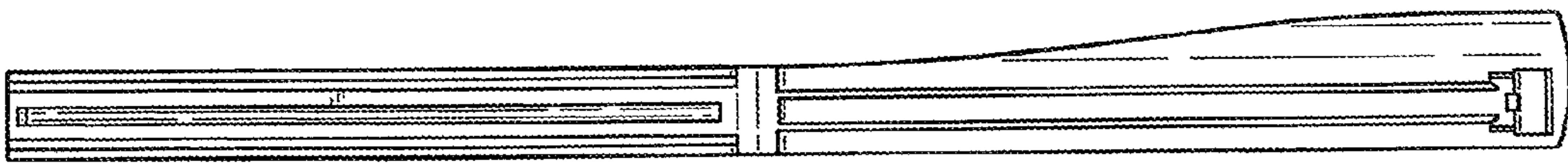


Fig.3.



Fig.4.



Fig.5.

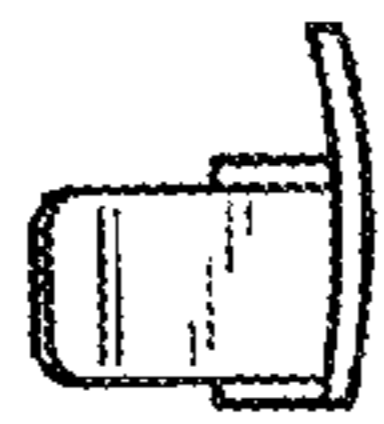


Fig.6.



Fig.7.