



US00D625173S

(12) **United States Design Patent**
Karekar et al.

(10) **Patent No.:** **US D625,173 S**
(45) **Date of Patent:** **** Oct. 12, 2010**

- (54) **SACHET CLOSING DEVICE**
- (75) Inventors: **Shyamsunder Balakrishna Karekar**,
Bangalore (IN); **Nived Chandroth**
Korambeth, Bangalore (IN)
- (73) Assignee: **Conopco Inc.**, Englewood Cliffs, NJ
(US)
- (**) Term: **14 Years**
- (21) Appl. No.: **29/355,852**
- (22) Filed: **Feb. 16, 2010**
- (30) **Foreign Application Priority Data**
Aug. 18, 2009 (GB) 4012192
- (51) **LOC (9) Cl.** **08-08**
- (52) **U.S. Cl.** **D8/394**
- (58) **Field of Classification Search** D8/354,
D8/356, 371, 394-396; D19/65, 86; D24/128;
248/74.2, 215, 227.1, 49, 300, 301, 316.7,
248/51, 489; 24/570, 3.12, 30.5 R; D9/434,
D9/435, 443, 453
See application file for complete search history.

- 4,887,335 A * 12/1989 Folkmar 24/30.5 R
- 5,050,272 A * 9/1991 Robinson et al. 24/30.5 R
- D333,786 S * 3/1993 Carroll D9/435
- 5,428,871 A * 7/1995 Iosif 24/30.5 R
- 5,713,108 A * 2/1998 Solomon et al. 24/30.5 R
- D423,353 S * 4/2000 Blanchard et al. D9/435
- D431,004 S * 9/2000 Naslund D9/435
- D482,968 S * 12/2003 Henriksson D9/435
- 6,904,646 B2 * 6/2005 Reynolds 24/30.5 R
- 7,181,806 B2 * 2/2007 Folkmar 24/30.5 R
- 7,334,300 B2 * 2/2008 Fujii 24/30.5 R
- D606,860 S * 12/2009 Hill D9/434

* cited by examiner

Primary Examiner—Cathron C Brooks
Assistant Examiner—John Windmuller
(74) *Attorney, Agent, or Firm*—Rimma Mitelman

(57) **CLAIM**

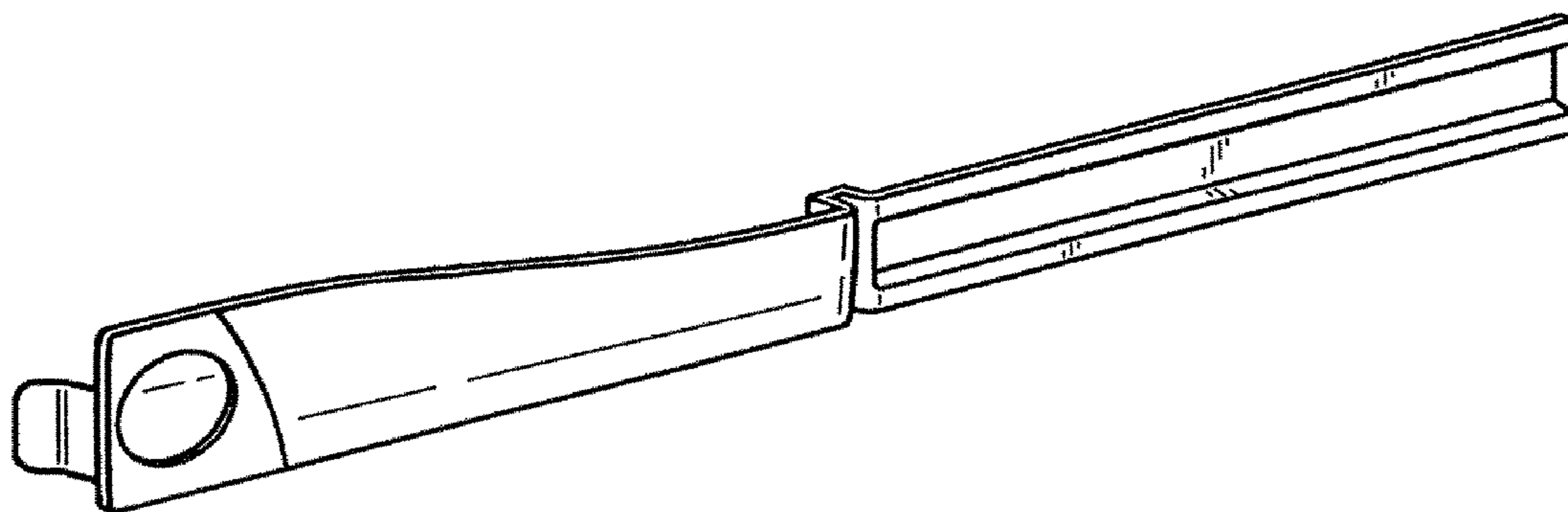
The ornamental design for a sachet closing device, as shown and described.

DESCRIPTION

FIG. 1 is a front perspective view from above and one side of the sachet closing device;
FIG. 2 is a front elevational view thereof;
FIG. 3 is a rear elevational view thereof;
FIG. 4 is a top plan view thereof;
FIG. 5 is an underneath plan view thereof;
FIG. 6 is a side view thereof; and,
FIG. 7 is a view of the other side thereof.

1 Claim, 2 Drawing Sheets

- (56) **References Cited**
U.S. PATENT DOCUMENTS
4,296,529 A * 10/1981 Brown 24/30.5 P
D264,689 S * 6/1982 Miller D9/434
D275,372 S * 9/1984 Price et al. D9/434
D299,008 S * 12/1988 Naslund D9/443
D301,548 S * 6/1989 Weaver D9/434



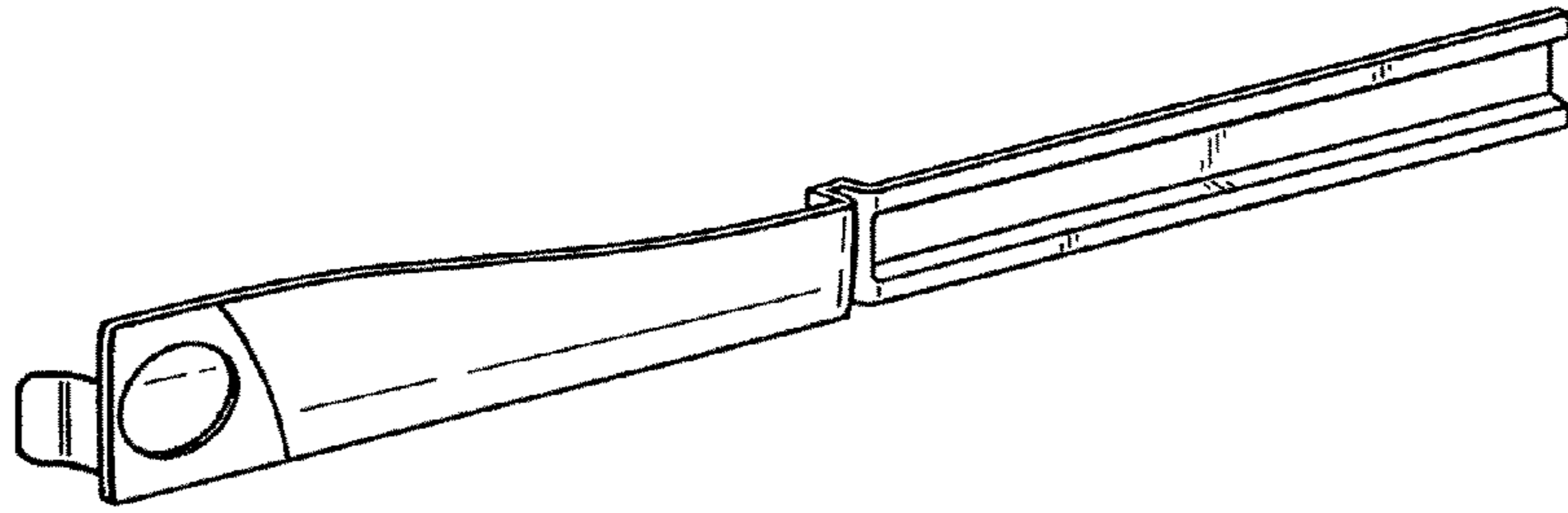


Fig. 1.

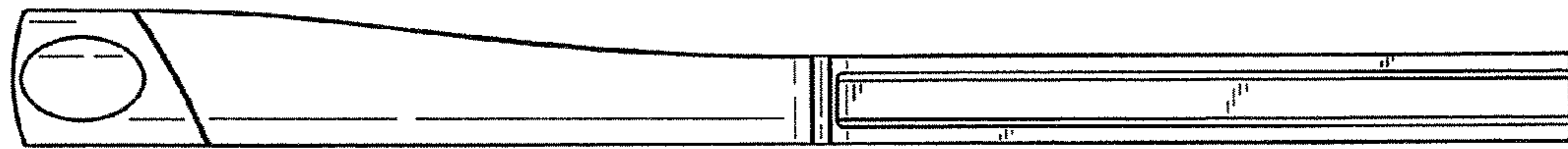


Fig. 2.

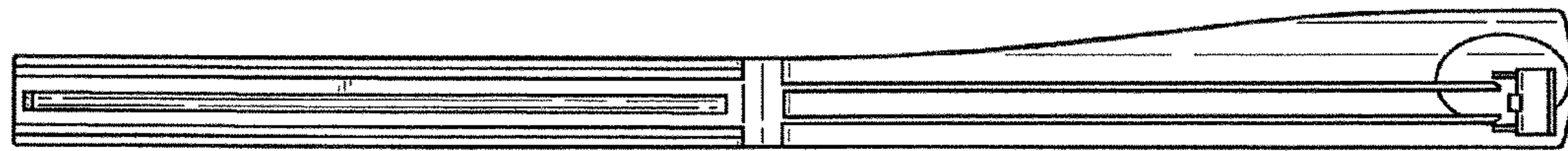


Fig. 3.



Fig.4.



Fig.5.

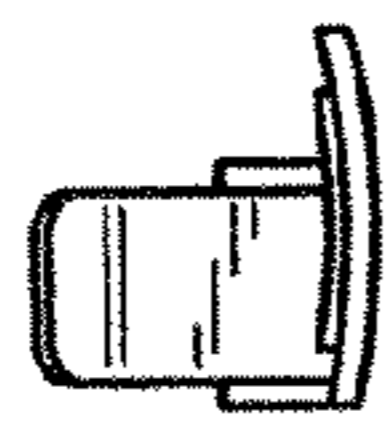


Fig.6.

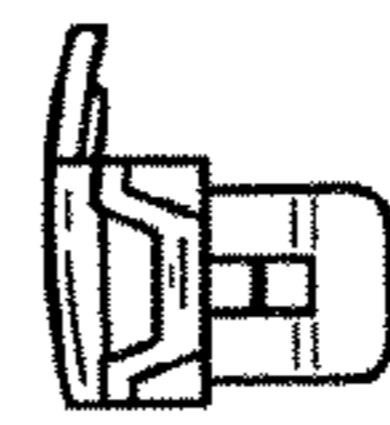


Fig.7.