



US00D625172S

(12) **United States Design Patent**
Pauwels

(10) **Patent No.:** **US D625,172 S**
(45) **Date of Patent:** **** Oct. 12, 2010**

(54) **SPOOL**

(75) Inventor: **Luc Pauwels**, Waarschoot (BE)

(73) Assignee: **NV Bekaert SA**, Zwevegem (BE)

(**) Term: **14 Years**

(21) Appl. No.: **29/311,614**

(22) Filed: **Apr. 30, 2009**

(30) **Foreign Application Priority Data**

Nov. 13, 2008 (WO) 468867701

(51) **LOC (9) Cl.** **08-05**

(52) **U.S. Cl.** **D8/358**

(58) **Field of Classification Search** D8/360,
D8/359, 358; D3/24; D15/5, 199, 147, 138;
474/7, 66, 47-53, 29, 198, 196, 161; 248/638,
248/636; 242/532.6, 530.3, 476.6, 118.6;
160/315; 137/355.26, 355.2, 355.16
See application file for complete search history.

(56) **References Cited**

U.S. PATENT DOCUMENTS

1,456,108 A * 5/1923 Johannasen 242/125.2
2,096,965 A * 10/1937 Howsam 242/118.6
2,225,551 A * 12/1940 Clinton 242/118.6
4,715,556 A 12/1987 Tack et al.

D358,931 S 6/1995 Vanhuyse
5,460,333 A 10/1995 Vanhuyse
5,803,396 A 9/1998 Dewaele
D441,772 S 5/2001 Polzer
D504,806 S 5/2005 Basaran
D545,561 S 7/2007 Vandecasteele
D563,207 S * 3/2008 Kawazoe D8/358
D583,651 S * 12/2008 Kawazoe D8/358

OTHER PUBLICATIONS

U.S. Appl. No. 29/311,517, filed Apr. 2009, Gu et al.

* cited by examiner

Primary Examiner—Susan Bennett Hattan

(74) *Attorney, Agent, or Firm*—Shlesinger, Arkwright & Garvey LLP

(57) **CLAIM**

The ornamental design for a spool, as shown and described.

DESCRIPTION

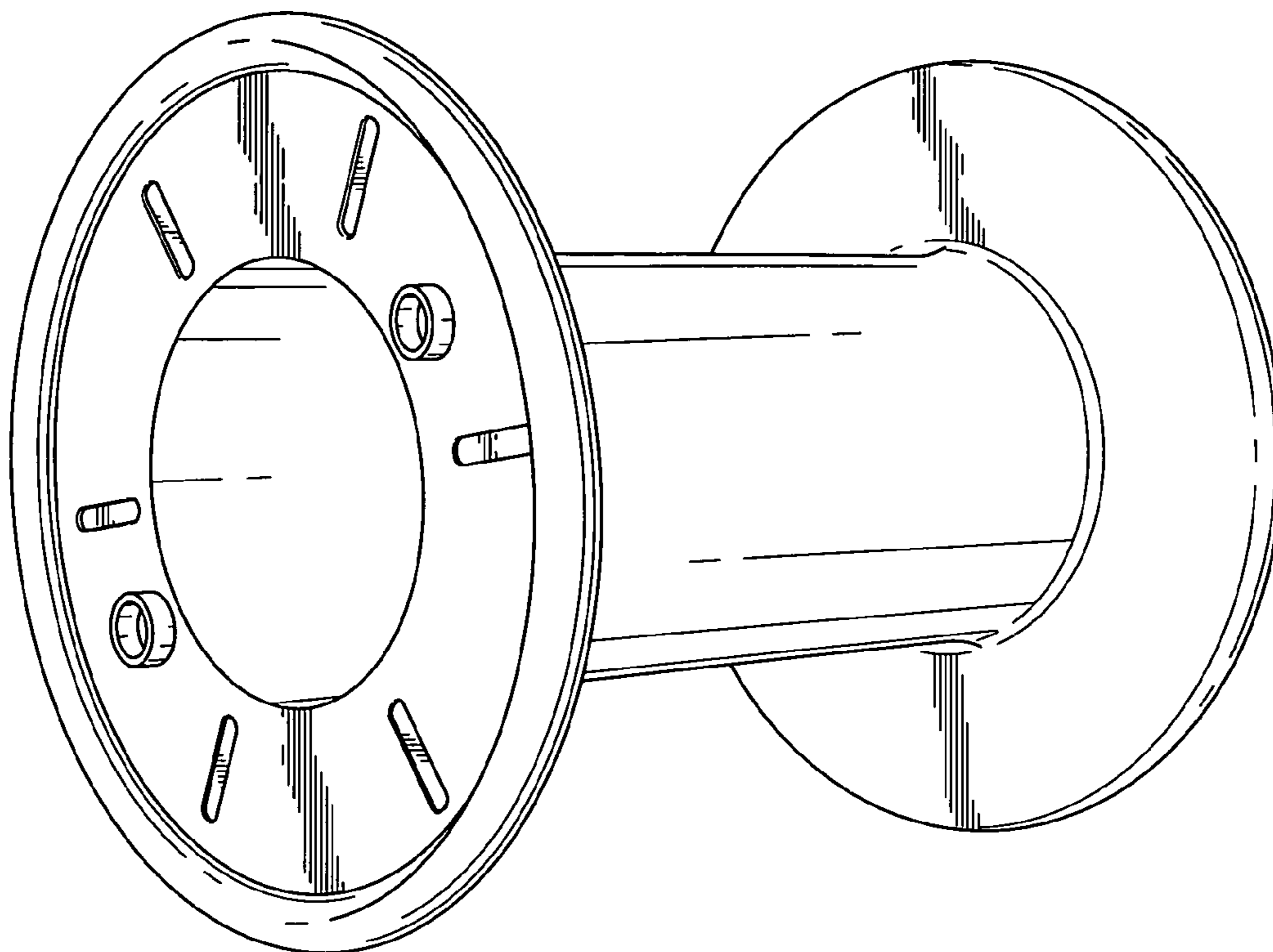
FIG. 1 is a front perspective view of a spool, showing my new design;

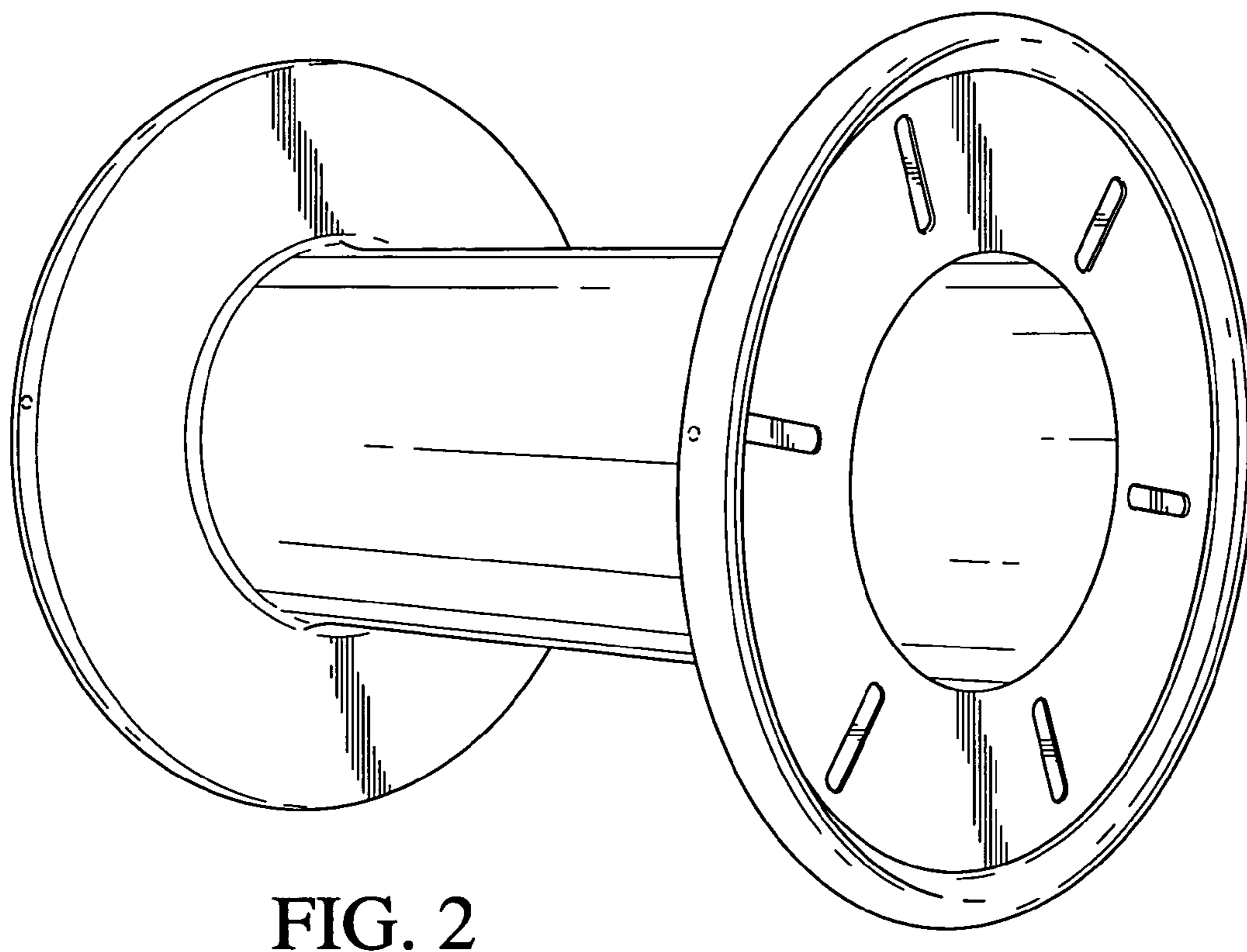
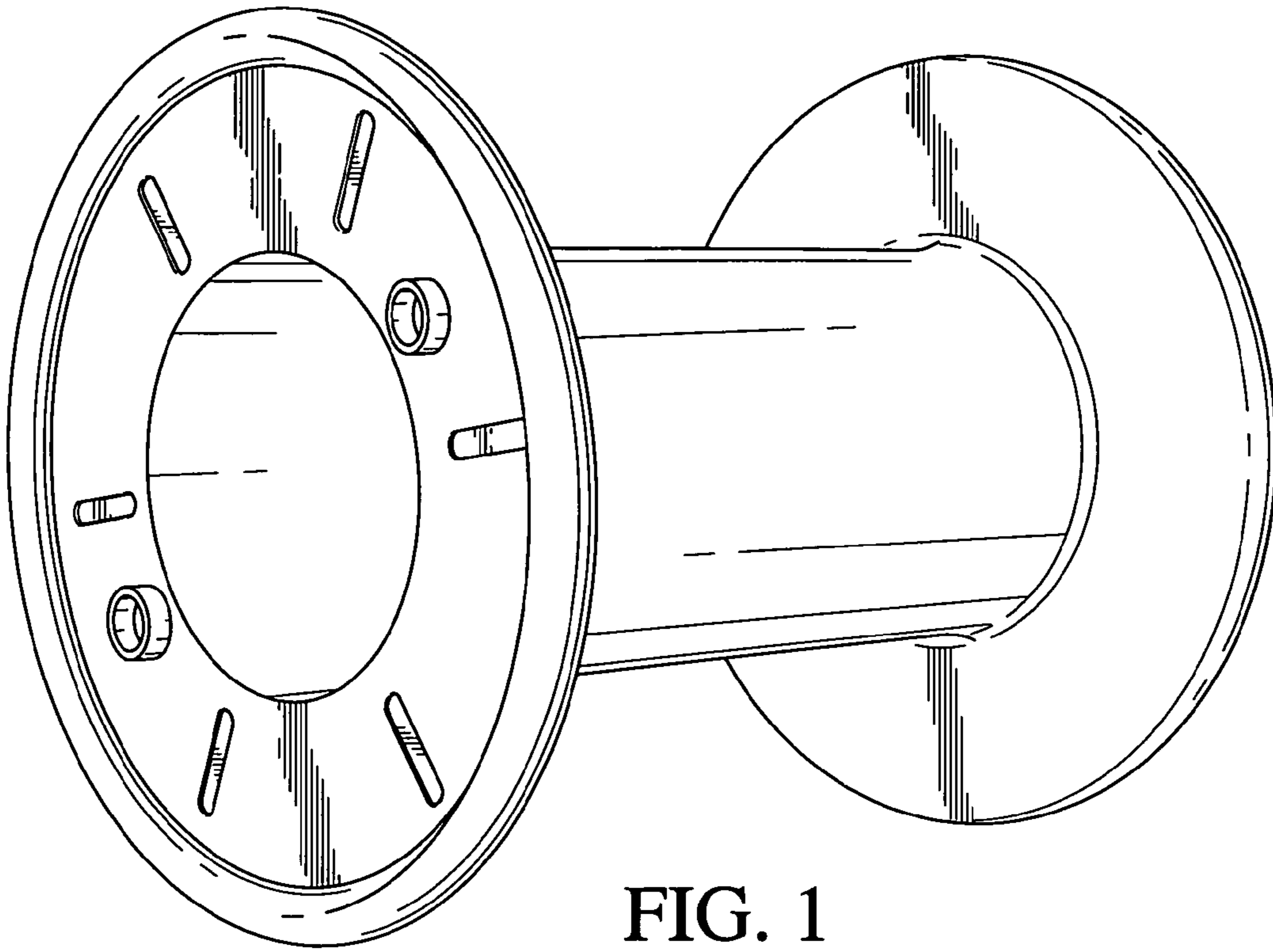
FIG. 2 is a rear perspective view of my spool of FIG. 1;

FIG. 3 is a front view of my spool of FIG. 1; and,

FIG. 4 is a side view of my spool of FIG. 1, the opposite side view being the same.

1 Claim, 2 Drawing Sheets





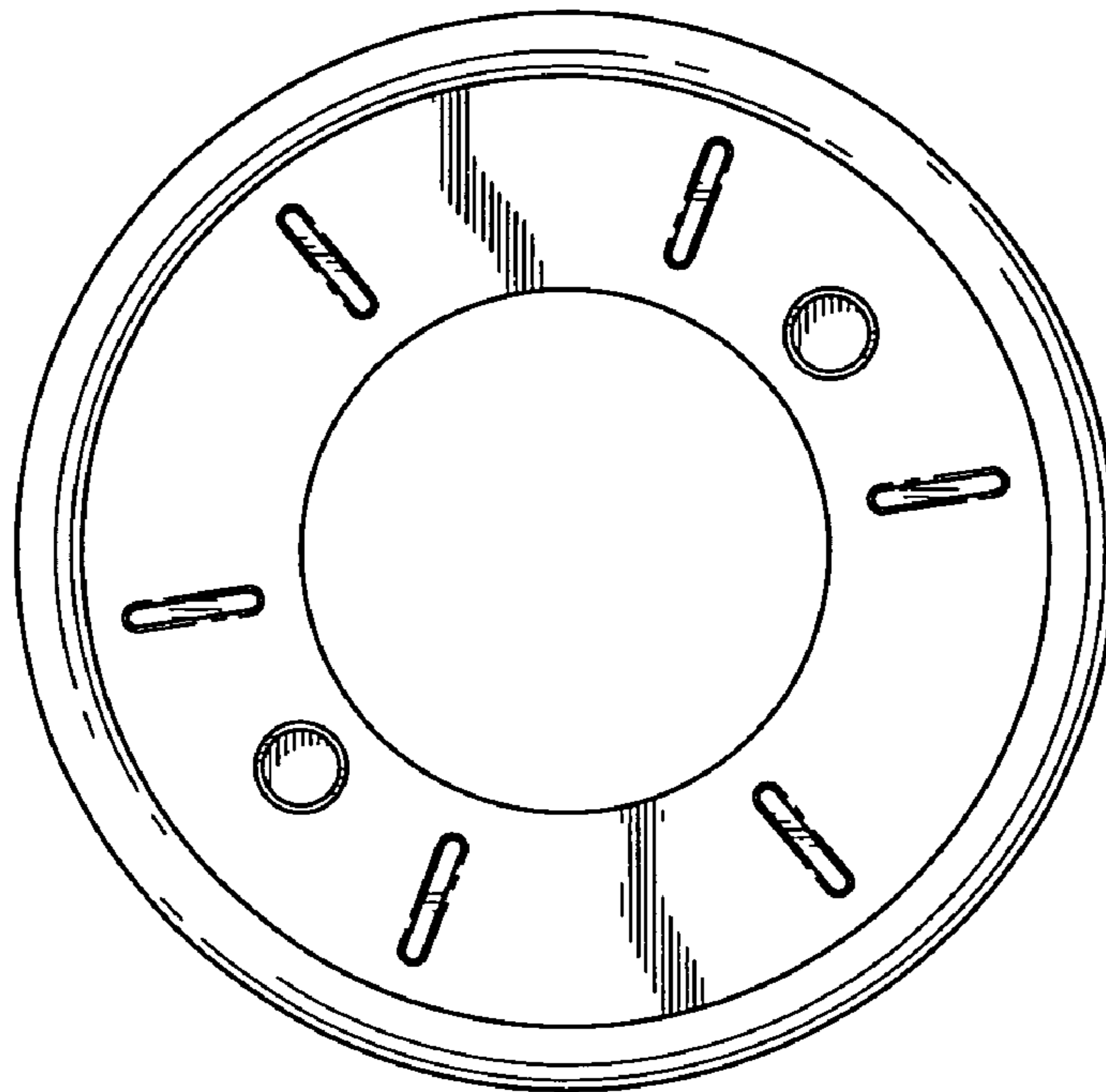


FIG. 3

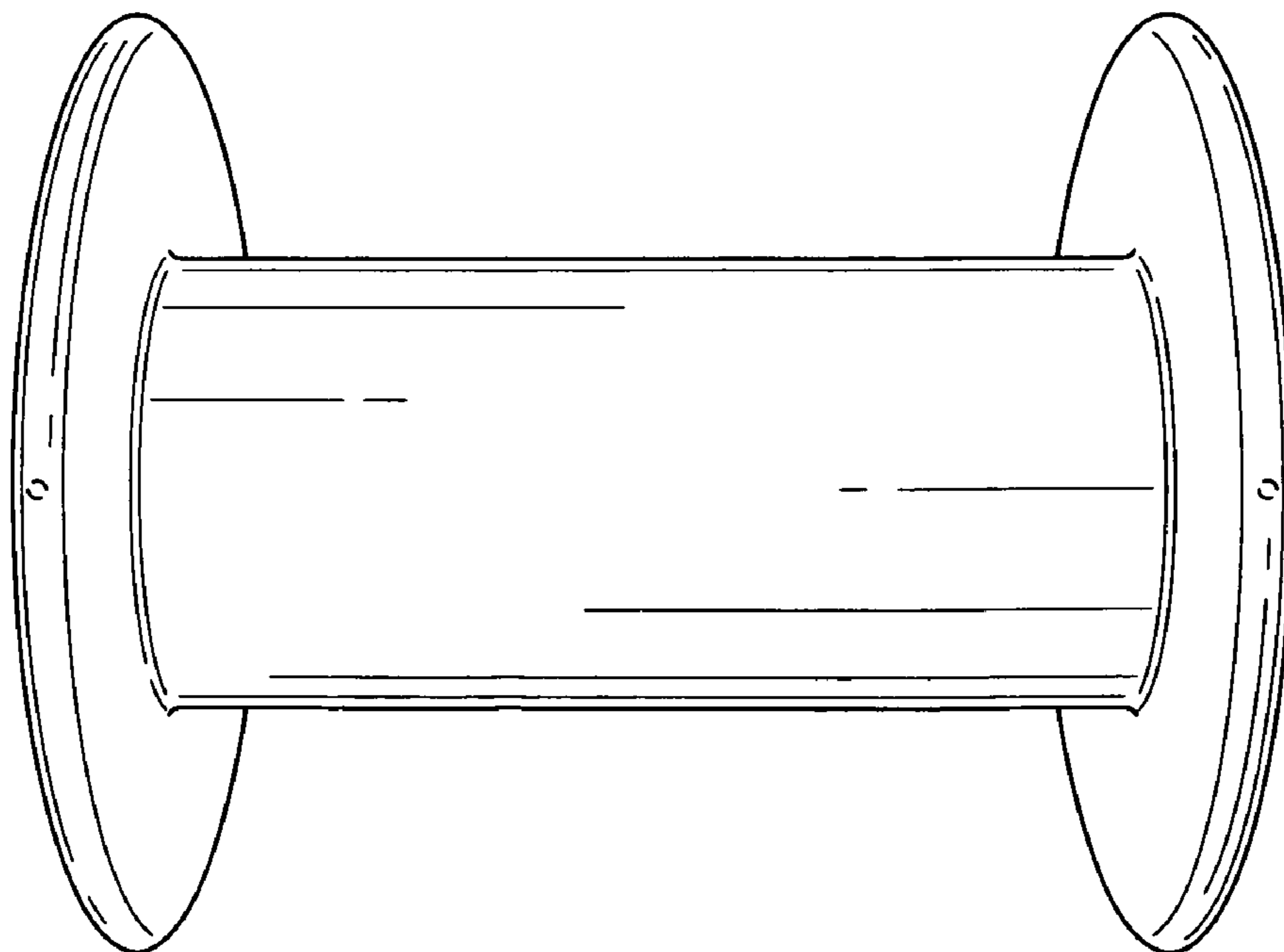


FIG. 4