



US00D625169S

(12) **United States Design Patent**  
**Quinn**

(10) **Patent No.:** **US D625,169 S**

(45) **Date of Patent:** **\*\* Oct. 12, 2010**

(54) **BACK OF A FOLDING CHAIR**

(75) Inventor: **Thomas A. Quinn**, Carlsbad, CA (US)

(73) Assignee: **Pro Performance Sports, L.L.C.**, San Diego, CA (US)

(\*\*) Term: **14 Years**

(21) Appl. No.: **29/358,833**

(22) Filed: **Apr. 1, 2010**

(51) **LOC (9) Cl.** ..... **06-01**

(52) **U.S. Cl.** ..... **D8/354**

(58) **Field of Classification Search** ..... D8/349,  
D8/354-355, 323, 368; D6/491, 500, 368;  
248/682, 689; 297/463.1

See application file for complete search history.

(56) **References Cited**

**U.S. PATENT DOCUMENTS**

D447,045	S	*	8/2001	Hundley	.....	D8/354
D464,866	S	*	10/2002	Switz et al.	.....	D8/354
D467,790	S	*	12/2002	Roberts et al.	.....	D8/356
D468,252	S	*	1/2003	Morris	.....	D12/223
D494,450	S	*	8/2004	Schultz et al.	.....	D8/356
D531,890	S	*	11/2006	Bentrim	.....	D8/382
D548,571	S	*	8/2007	Bigelow et al.	.....	D8/349
D560,113	S	*	1/2008	McPherson	.....	D8/354
D605,026	S	*	12/2009	Lin et al.	.....	D8/354
D613,578	S	*	4/2010	Tejszerski	.....	D8/339
D615,846	S	*	5/2010	Gulley	.....	D8/349

2009/0152919 A1\* 6/2009 Lin et al. .... 297/248

\* cited by examiner

*Primary Examiner*—Elizabeth A Albert

*Assistant Examiner*—Kelley A Donnelly

(74) *Attorney, Agent, or Firm*—Kenneth H. Ohriner; Perkins Coie LLP

(57) **CLAIM**

The ornamental design for a back of a folding chair, as shown and described.

**DESCRIPTION**

This Application is a continuation of U.S. patent application Ser. No. 29/355,727 filed Feb. 12, 2010 and now pending. This Application is also a continuation of U.S. patent application Ser. No. 12/704,696 filed Feb. 12, 2010 and now pending.

FIG. 1 is a front perspective view showing my new design.

FIG. 2 is a front view.

FIG. 3 is a back view.

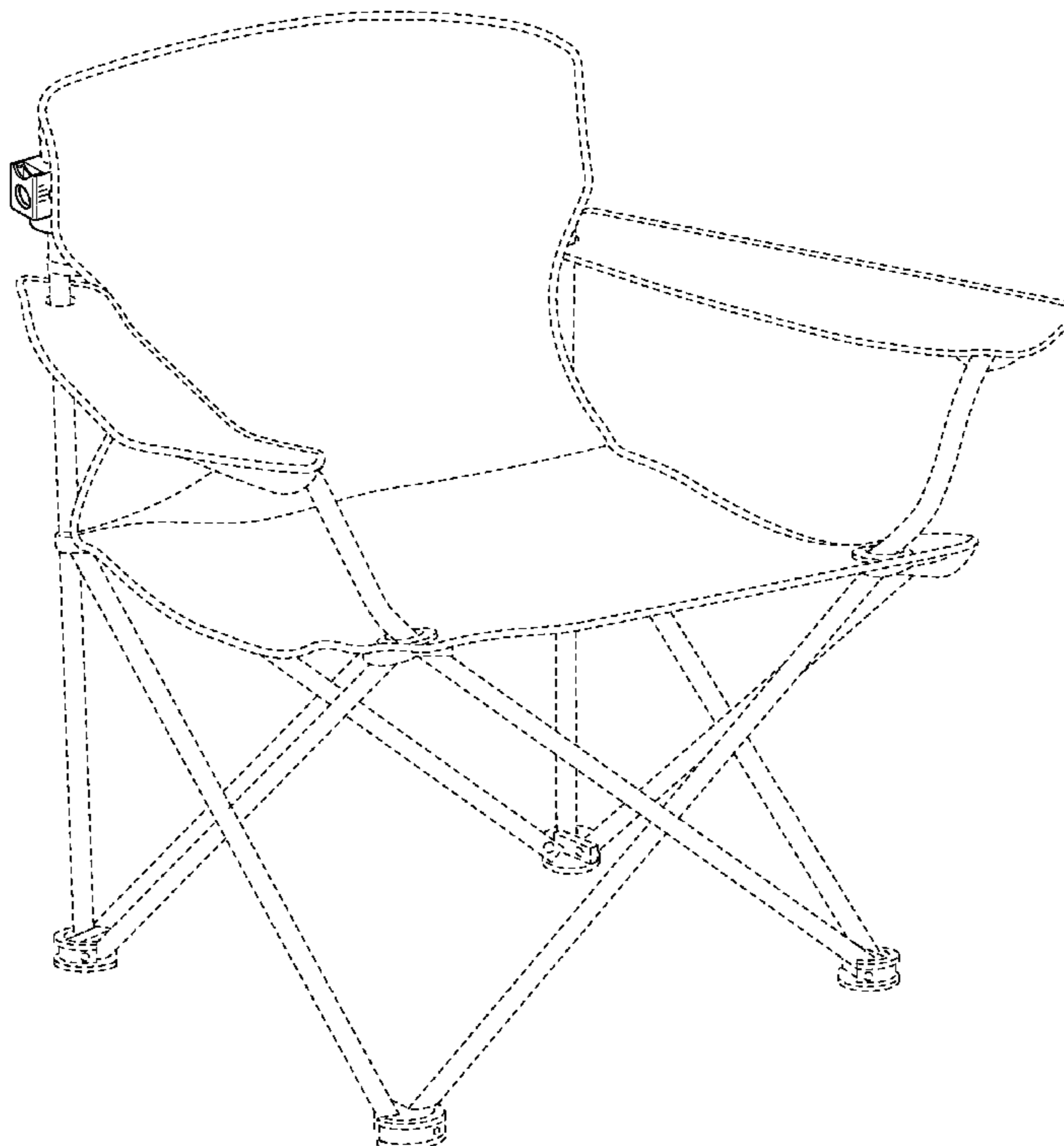
FIG. 4 is a left side view.

FIG. 5 is a right side view; and,

FIG. 6 is a top view.

The broken lines are for the purpose of illustrating the environment of the design only and form no part of the claimed design.

**1 Claim, 3 Drawing Sheets**



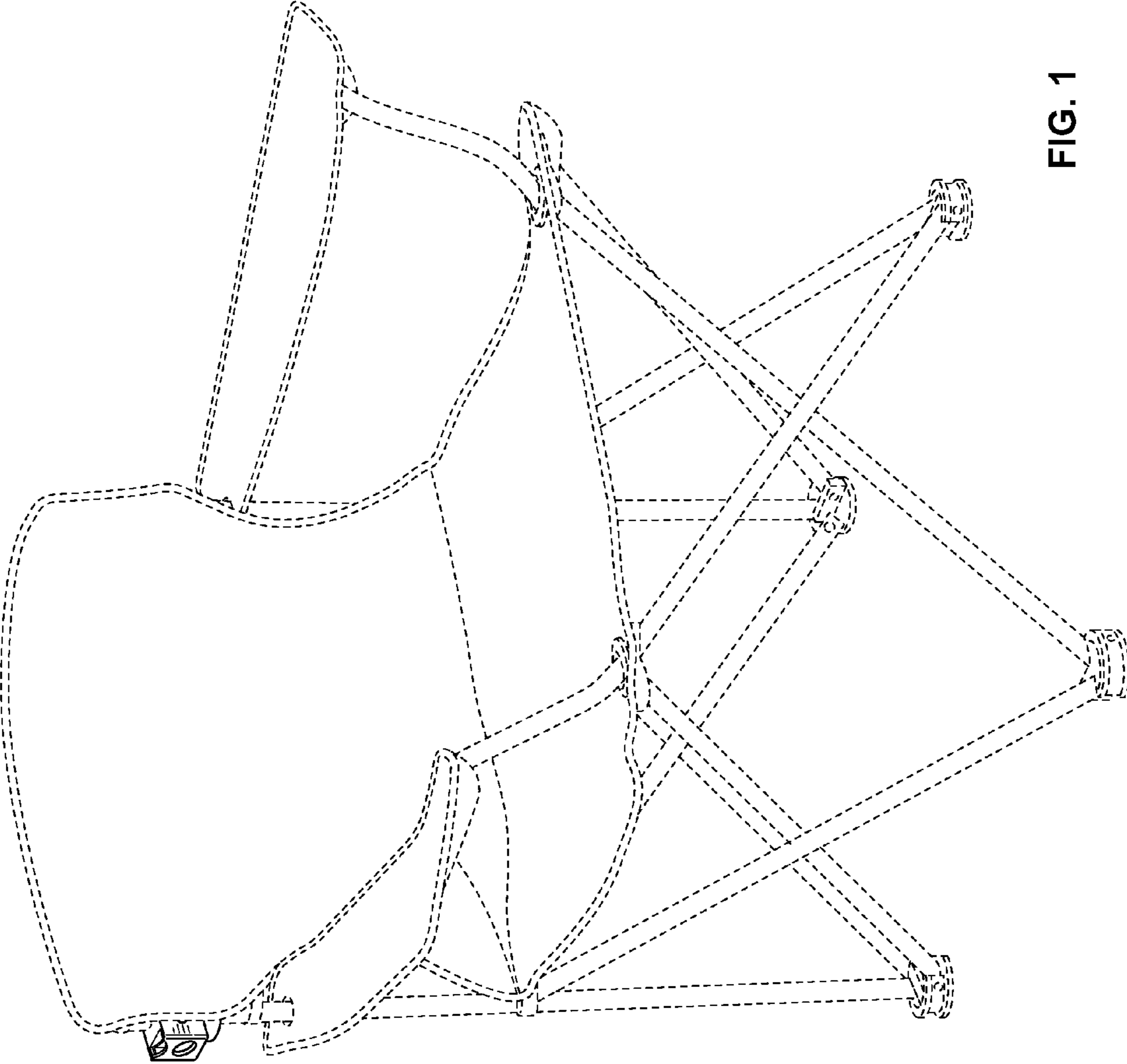


FIG. 1

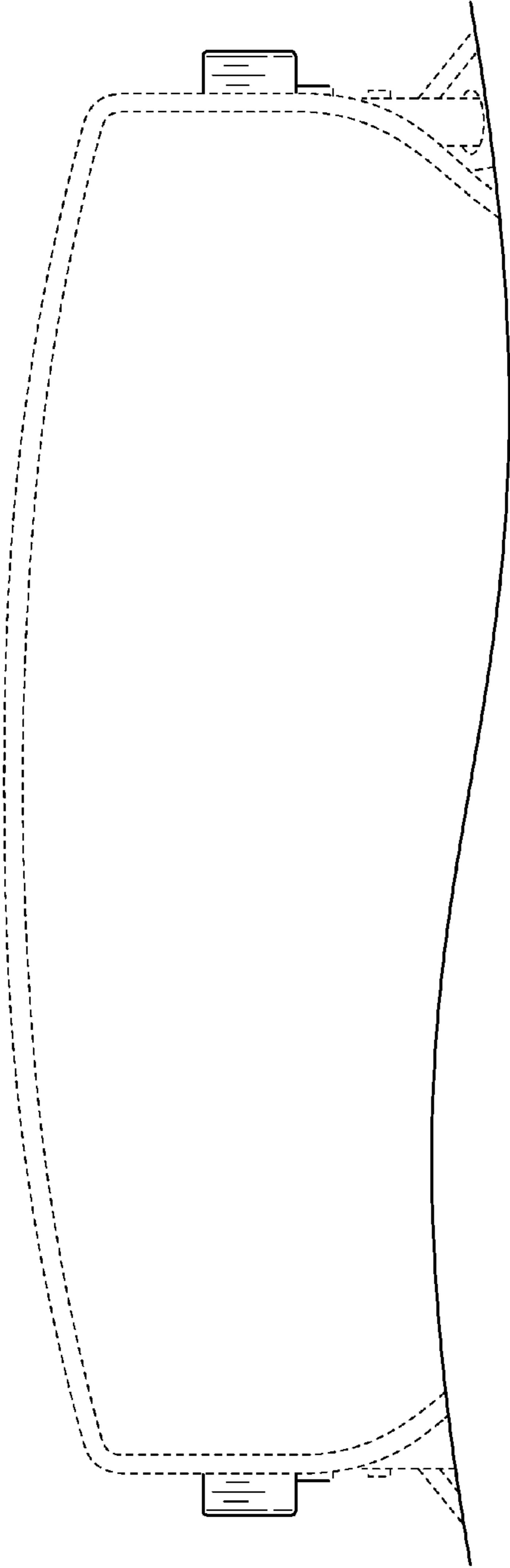


FIG. 2

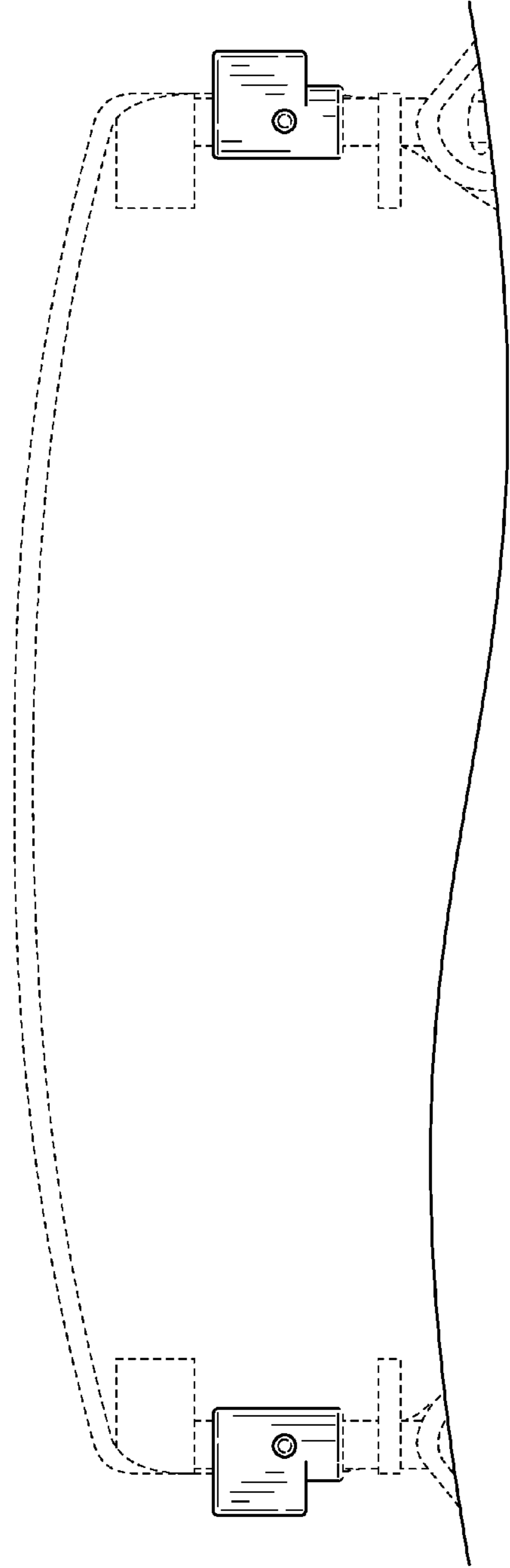


FIG. 3

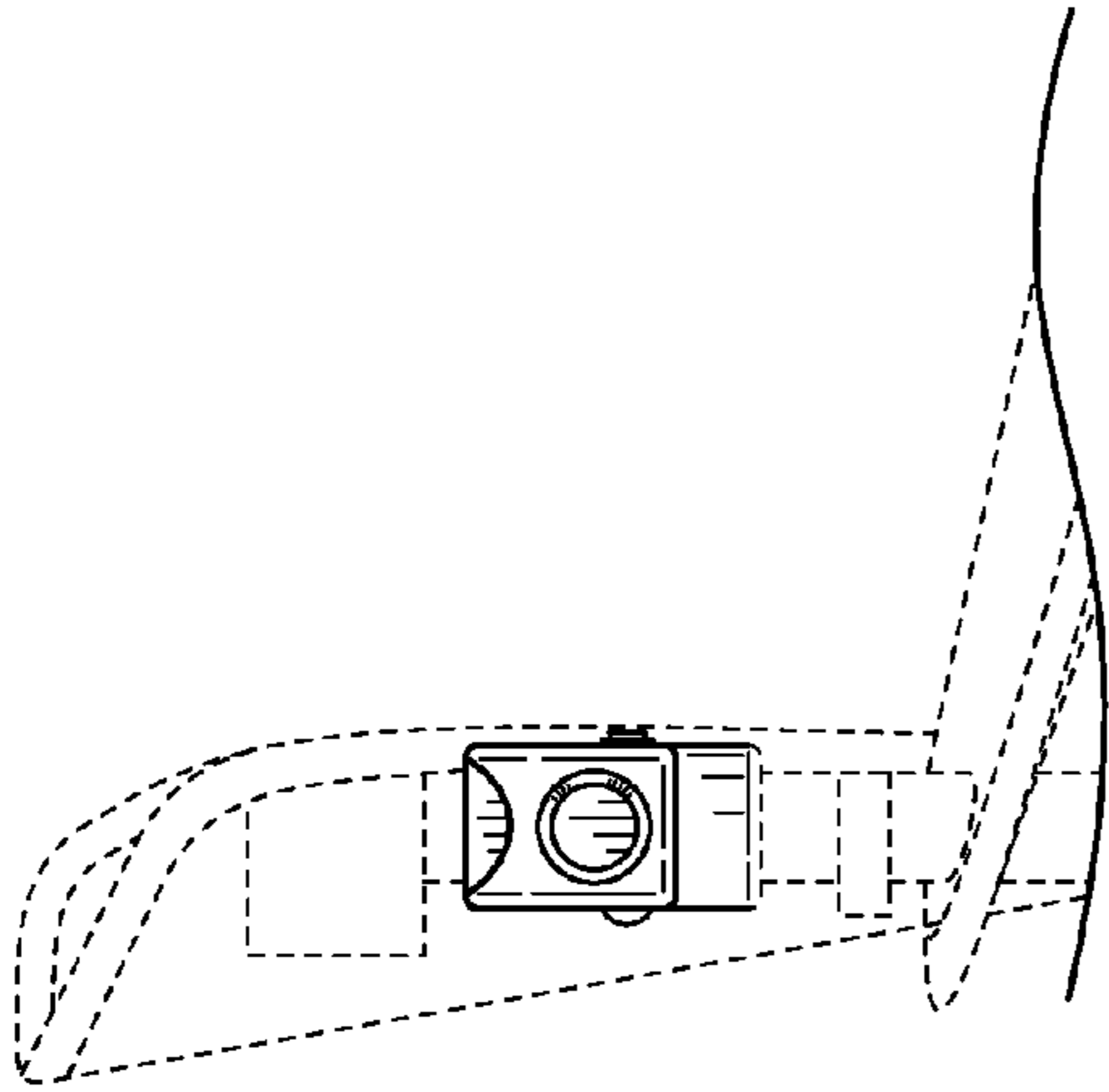


FIG. 4

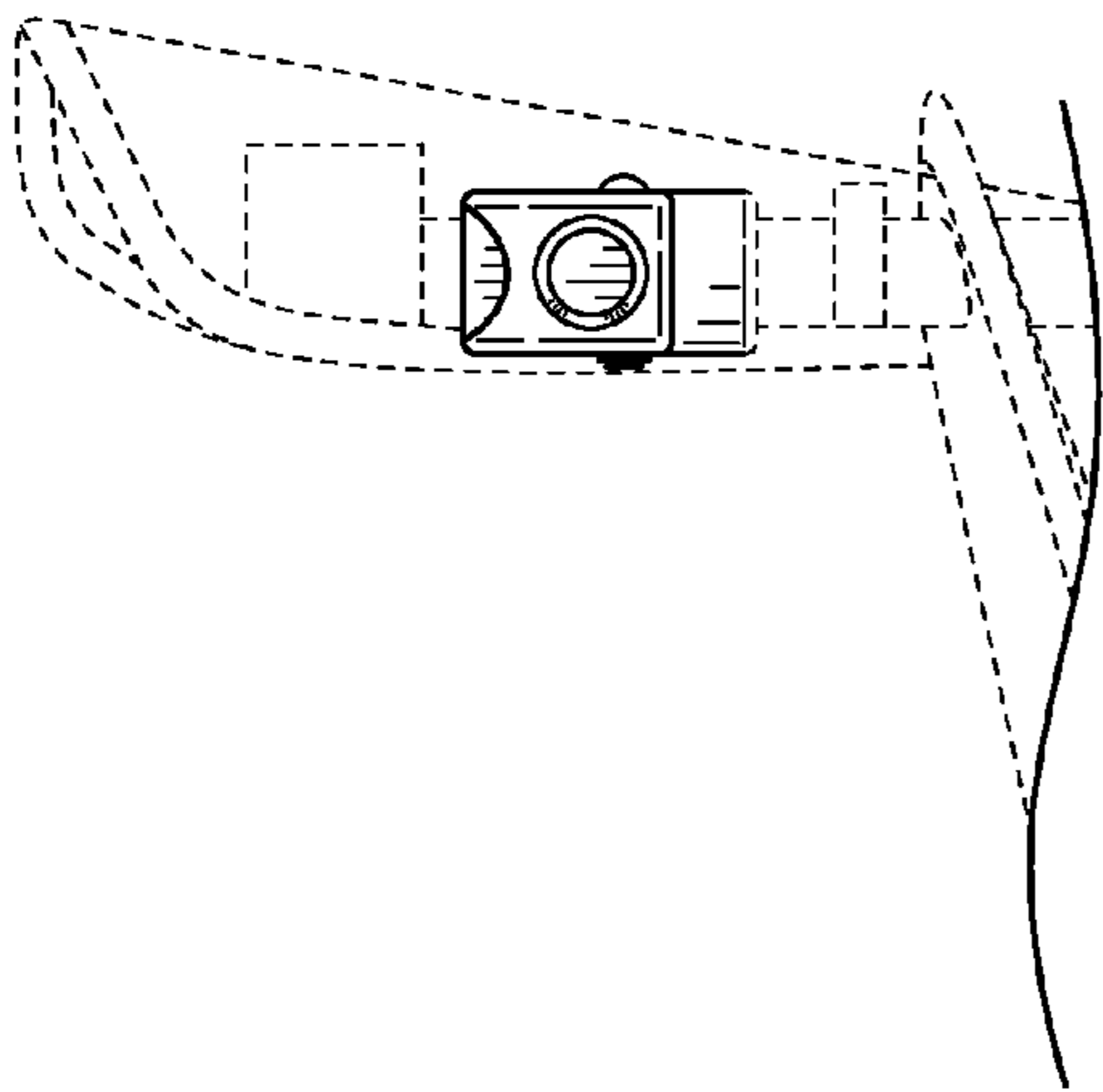


FIG. 5

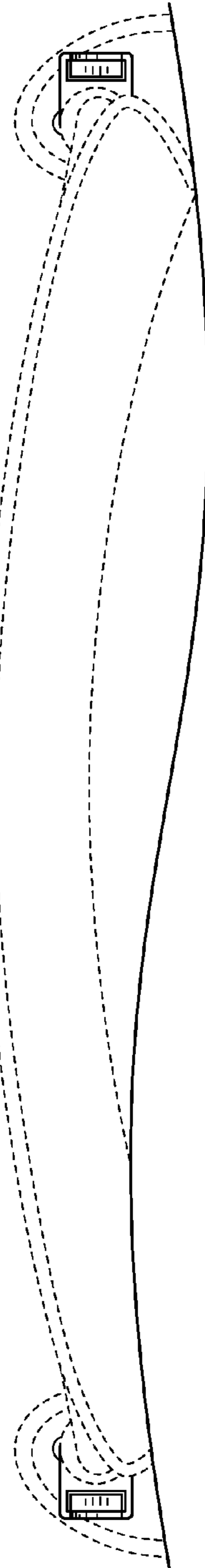


FIG. 6