



US00D625168S

(12) **United States Design Patent**  
**Chen**

(10) **Patent No.:** **US D625,168 S**  
(45) **Date of Patent:** **\*\* Oct. 12, 2010**

(54) **HARD DISK DRIVE BRACKET**

6,497,395 B1 \* 12/2002 Croker ..... 248/300  
6,766,992 B1 \* 7/2004 Parker ..... 248/300

(75) Inventor: **Wei-Hsi Chen**, Taipei Hsien (TW)

(73) Assignee: **Hon Hai Precision Industry Co., Ltd.**,  
Tu-Cheng, Taipei Hsien (TW)

\* cited by examiner

*Primary Examiner*—Holly H Baynham  
(74) *Attorney, Agent, or Firm*—Raymond J. Chew

(\*\*) Term: **14 Years**

(21) Appl. No.: **29/343,154**

(57) **CLAIM**

(22) Filed: **Sep. 9, 2009**

The ornamental design for a hard disk drive bracket, as shown and described.

(30) **Foreign Application Priority Data**

**DESCRIPTION**

Aug. 28, 2009 (CN) ..... 2009 3 0313679

(51) **LOC (9) Cl.** ..... **08-05**

(52) **U.S. Cl.** ..... **D8/354**

(58) **Field of Classification Search** ..... D8/354,  
D8/349; D12/223; 248/218.4, 219.1, 219.3–219.4,  
248/300

See application file for complete search history.

FIG. 1 is a perspective view of a bracket showing my new design;

FIG. 2 is a front elevational view thereof;

FIG. 3 is a rear elevational view thereof;

FIG. 4 is a left side elevational view thereof;

FIG. 5 is a right side elevational view thereof;

FIG. 6 is a top plan view thereof; and,

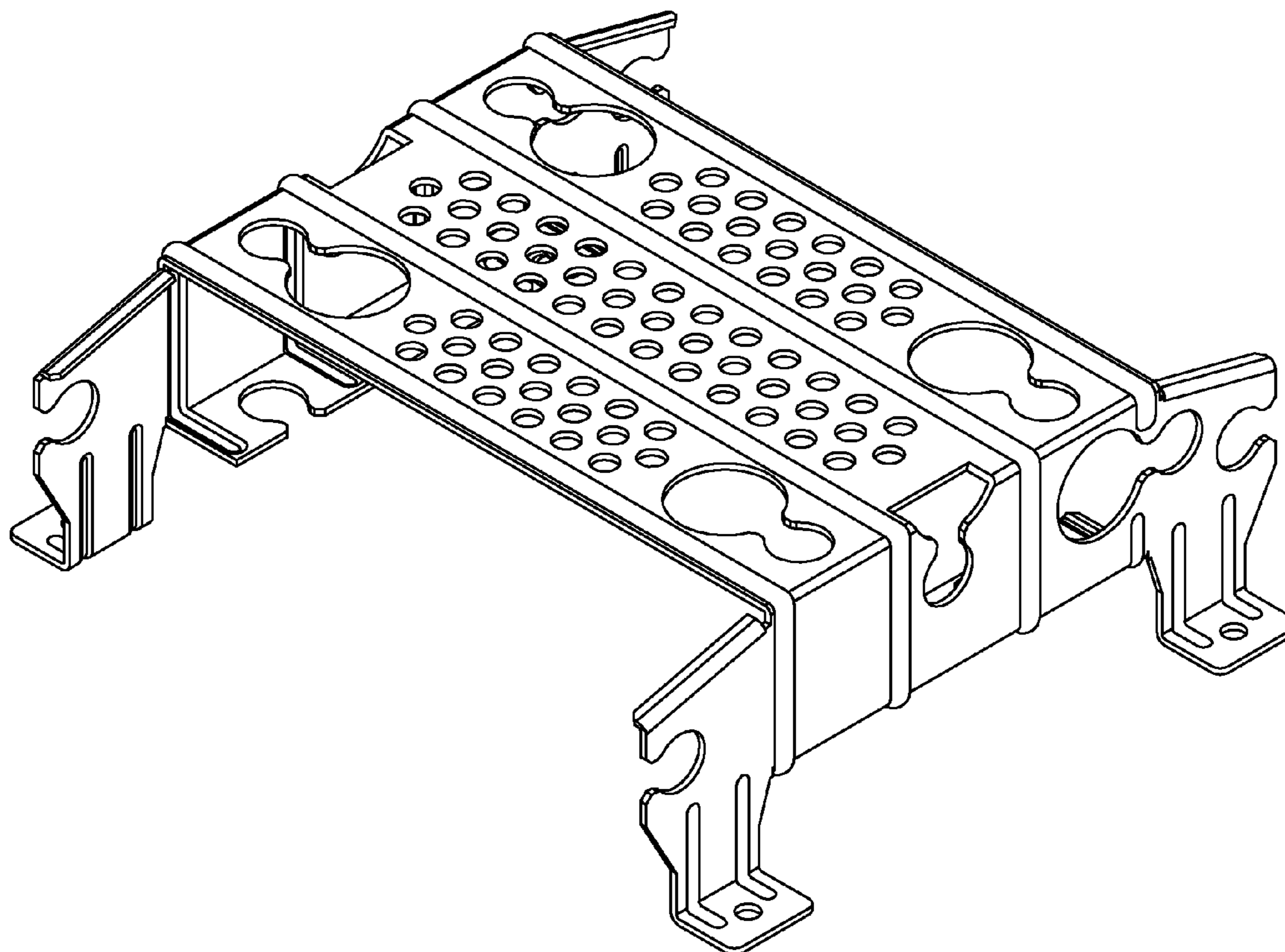
FIG. 7 is a bottom plan view thereof.

(56) **References Cited**

**U.S. PATENT DOCUMENTS**

D338,664 S \* 8/1993 Goff ..... D14/447

**1 Claim, 7 Drawing Sheets**



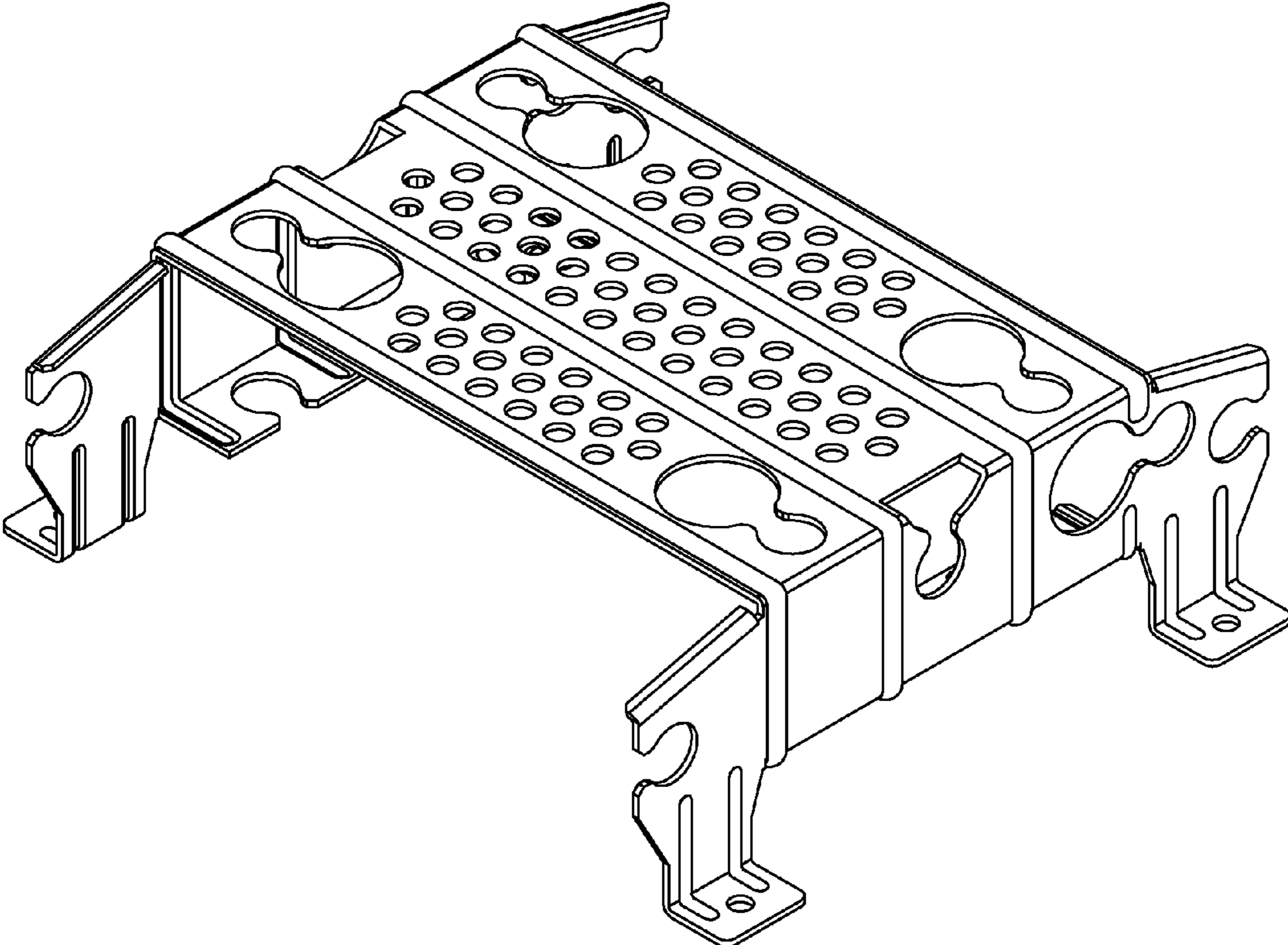


FIG. 1

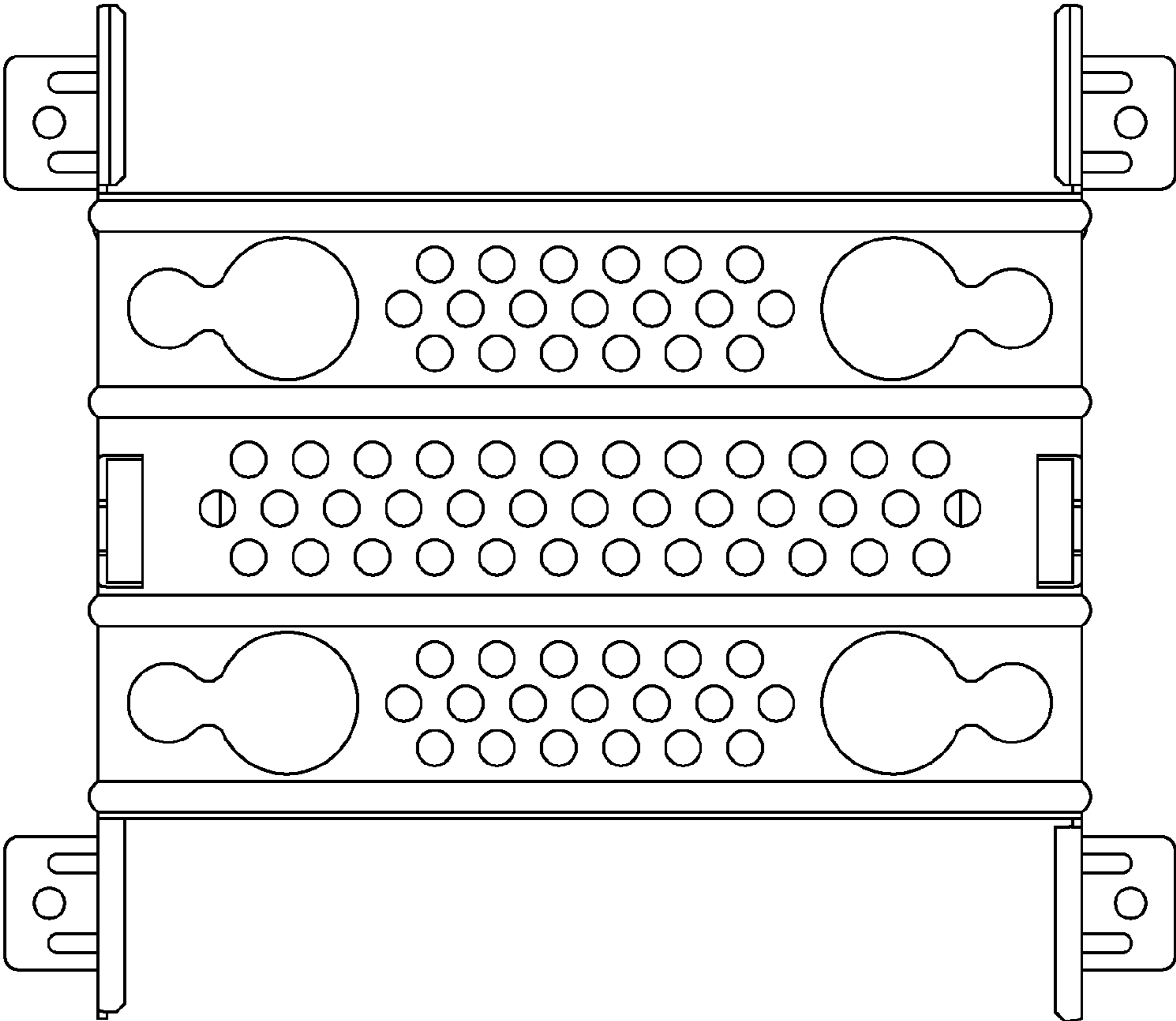


FIG. 2

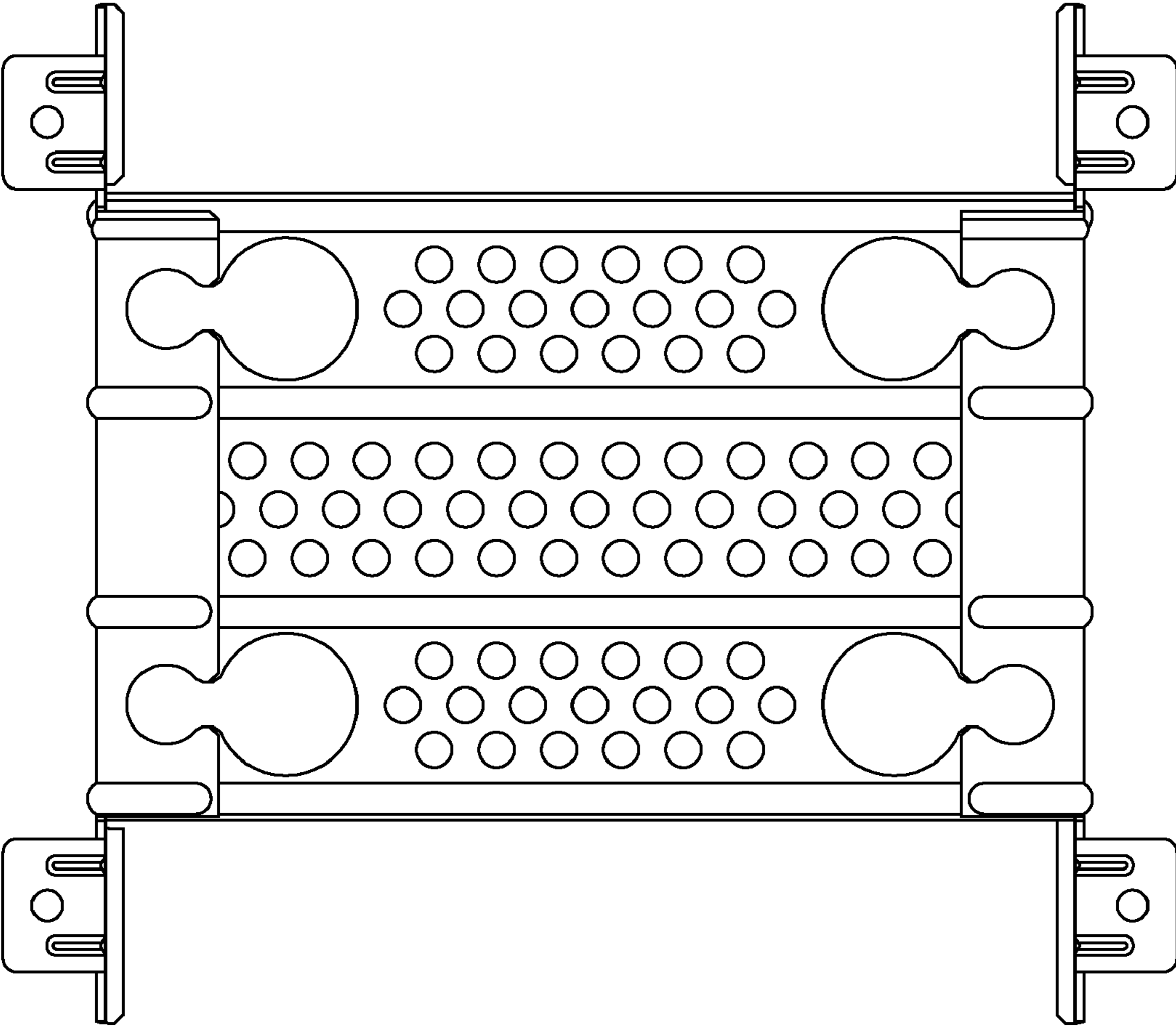


FIG. 3

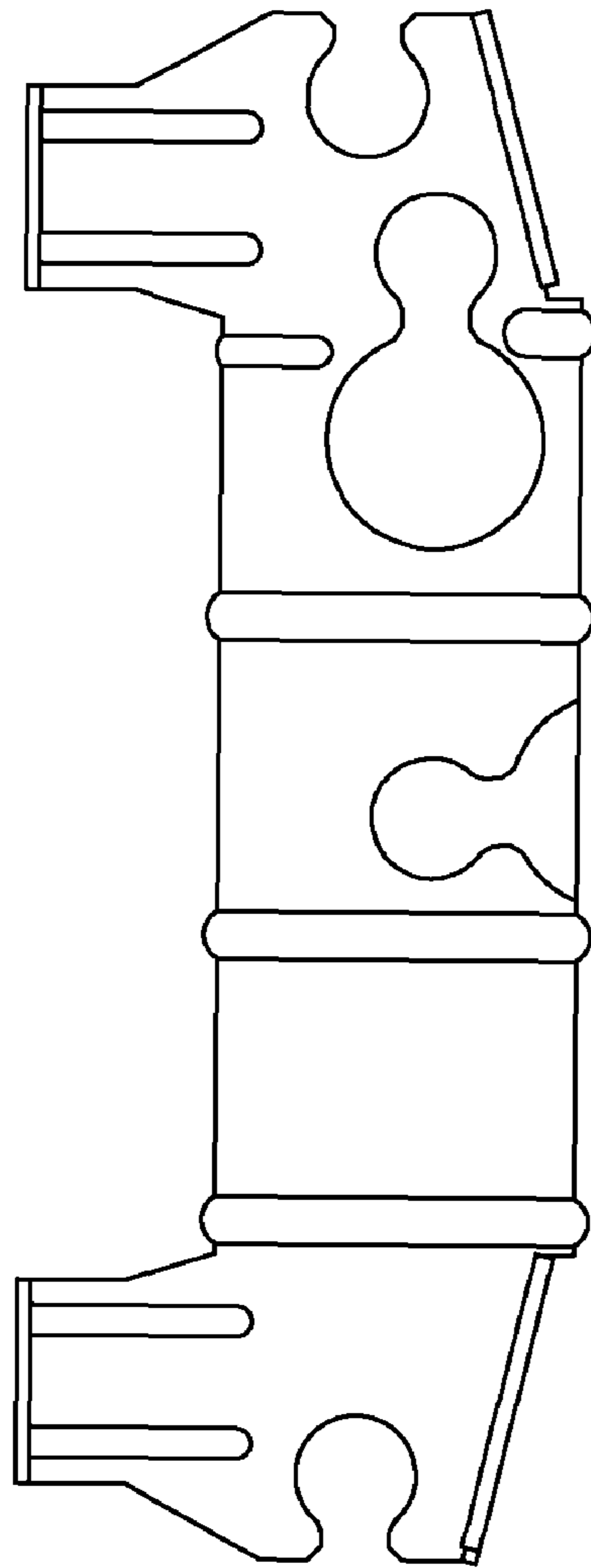


FIG. 4

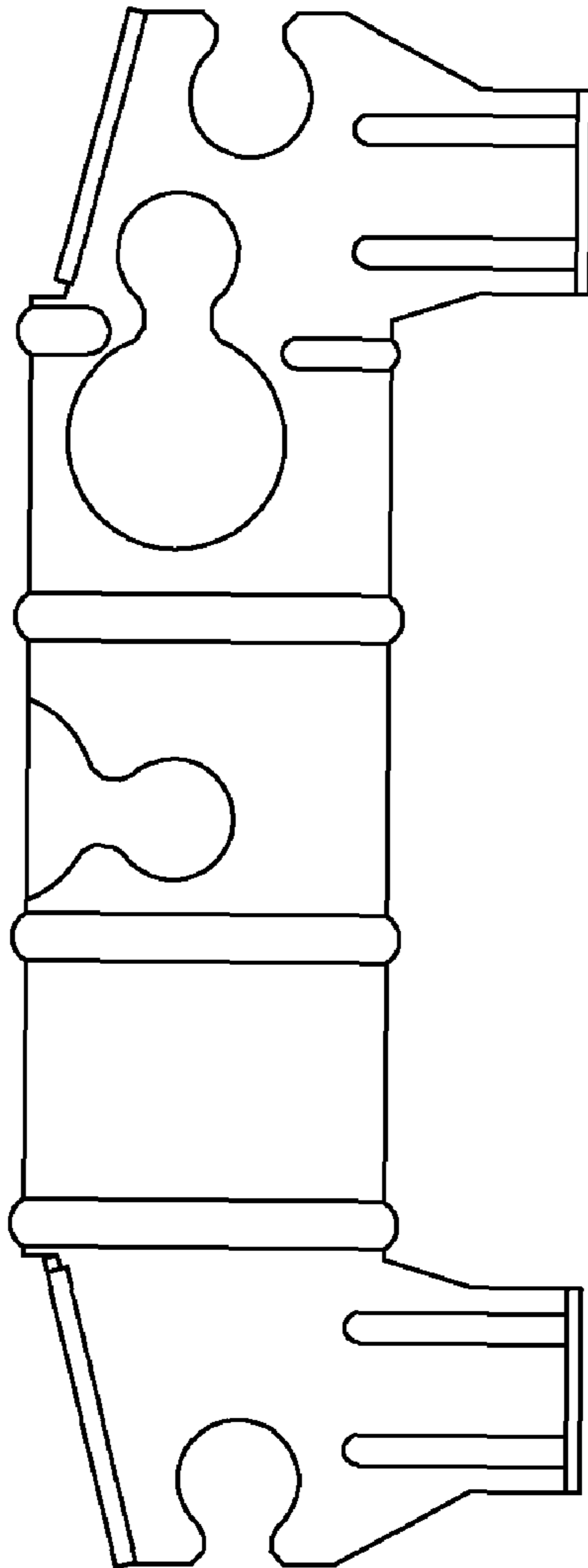


FIG. 5



FIG. 6



FIG. 7