



US00D625167S

(12) **United States Design Patent**  
**Wu**

(10) **Patent No.:** **US D625,167 S**

(45) **Date of Patent:** **\*\* Oct. 12, 2010**

(54) **KEY**

(76) **Inventor:** **Kun-Yu Wu**, No. 69-92, Sinshu Rd.,  
Sinjhuang City, Taipei Hsien (TW)

(\*\*) **Term:** **14 Years**

(21) **Appl. No.:** **29/335,798**

(22) **Filed:** **Apr. 22, 2009**

(51) **LOC (9) Cl.** ..... **08-07**

(52) **U.S. Cl.** ..... **D8/347; D8/300**

(58) **Field of Classification Search** ..... D8/300,  
D8/330, 338, 341, 342, 343, 344, 347, 348,  
D8/107, 21, 105, 26, 29, 28; 70/372, 431,  
70/181; D21/484, 487, 691, 694, 771, 760;  
292/19

See application file for complete search history.

(56) **References Cited**

**U.S. PATENT DOCUMENTS**

D168,425	S	*	12/1952	Schumann	.....	D8/341
2,855,773	A	*	10/1958	Evans	.....	70/181
D190,391	S	*	5/1961	Cordova	.....	D8/382
3,474,648	A	*	10/1969	Trinca	.....	70/181
D228,169	S	*	8/1973	Morris	.....	D8/343
D228,733	S	*	10/1973	Perkins	.....	D8/347
D242,428	S	*	11/1976	Morris	.....	D8/382

D290,581	S	*	6/1987	Hughes	.....	D8/347
4,689,978	A	*	9/1987	Drummond	.....	70/431
D295,606	S	*	5/1988	Ault	.....	D8/330
D334,841	S	*	4/1993	Schmitt, Sr.	.....	D8/343
D353,533	S	*	12/1994	Lee	.....	D8/343
D518,358	S	*	4/2006	Senn	.....	D8/343

\* cited by examiner

*Primary Examiner*—Paula Greene

(74) *Attorney, Agent, or Firm*—Rabin & Berdo, P.C.

(57) **CLAIM**

The ornamental design for a key, as shown and described.

**DESCRIPTION**

FIG. 1 is a perspective view of a key showing my new design;

FIG. 2 is a front view thereof;

FIG. 3 is a rear view thereof;

FIG. 4 is a left side view thereof;

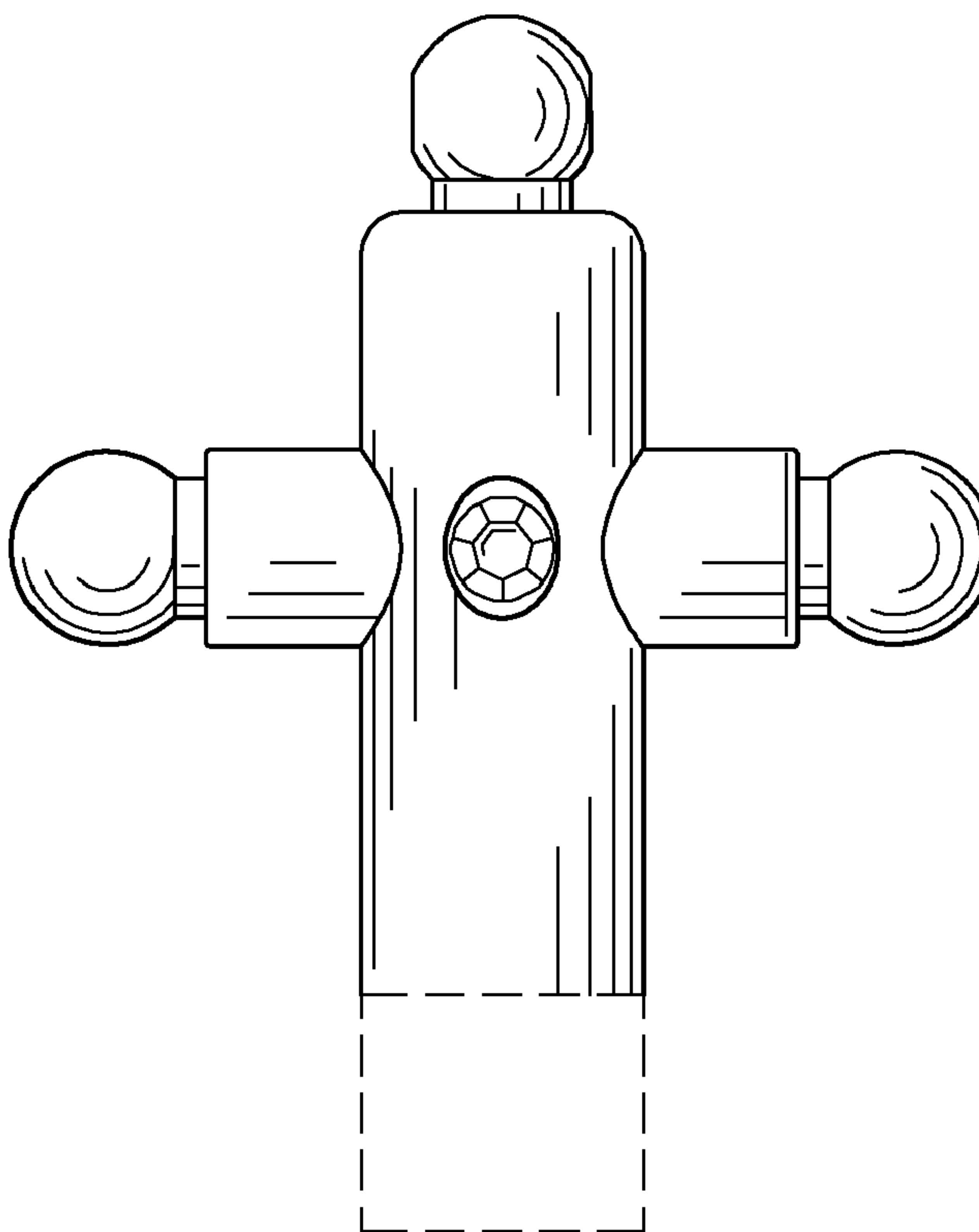
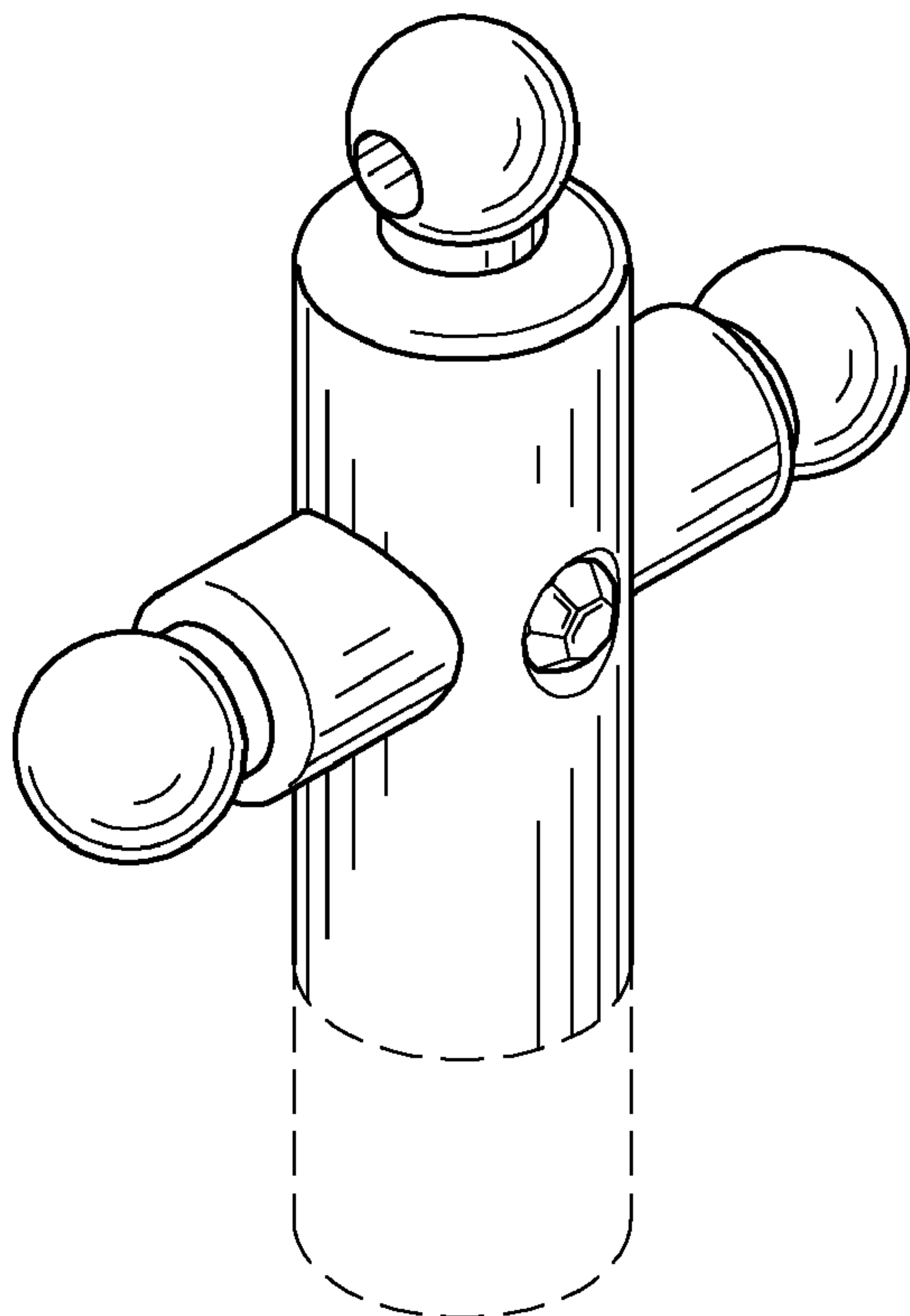
FIG. 5 is a right side view thereof;

FIG. 6 is a top view thereof; and,

FIG. 7 is a bottom view thereof.

The broken lines are shown for illustrative purposes only and form no parts of the claimed design.

**1 Claim, 4 Drawing Sheets**



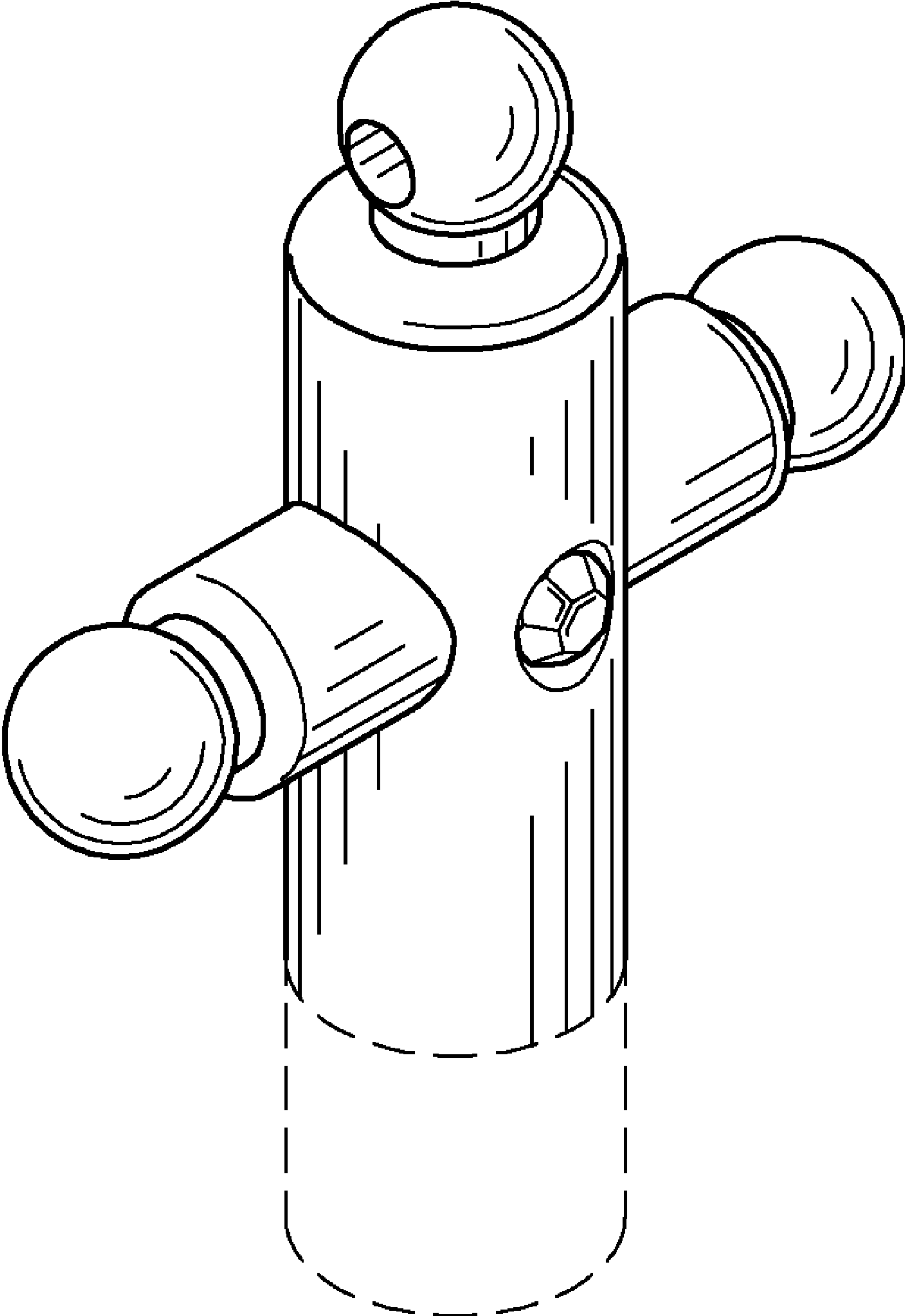


FIG. 1

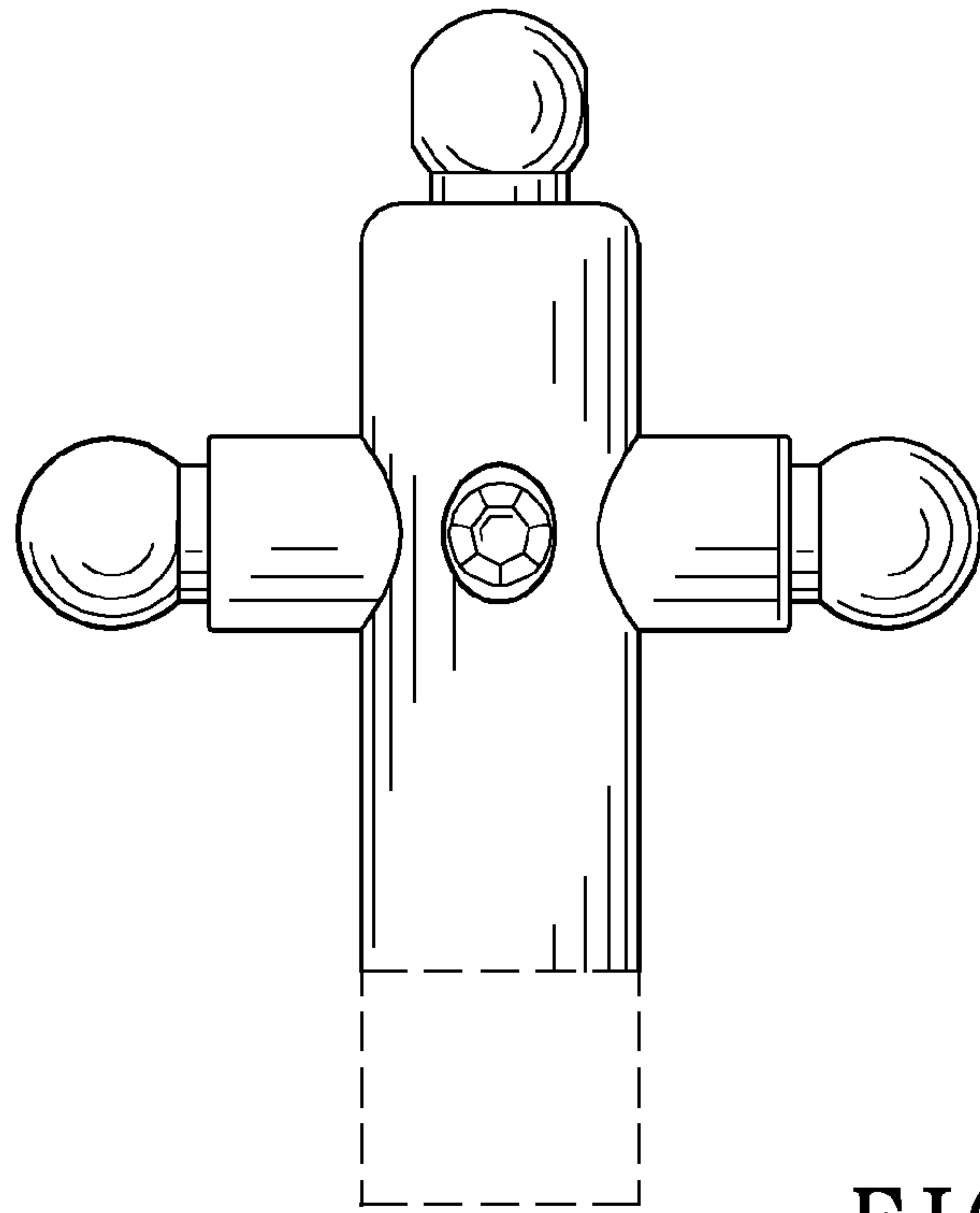


FIG. 2

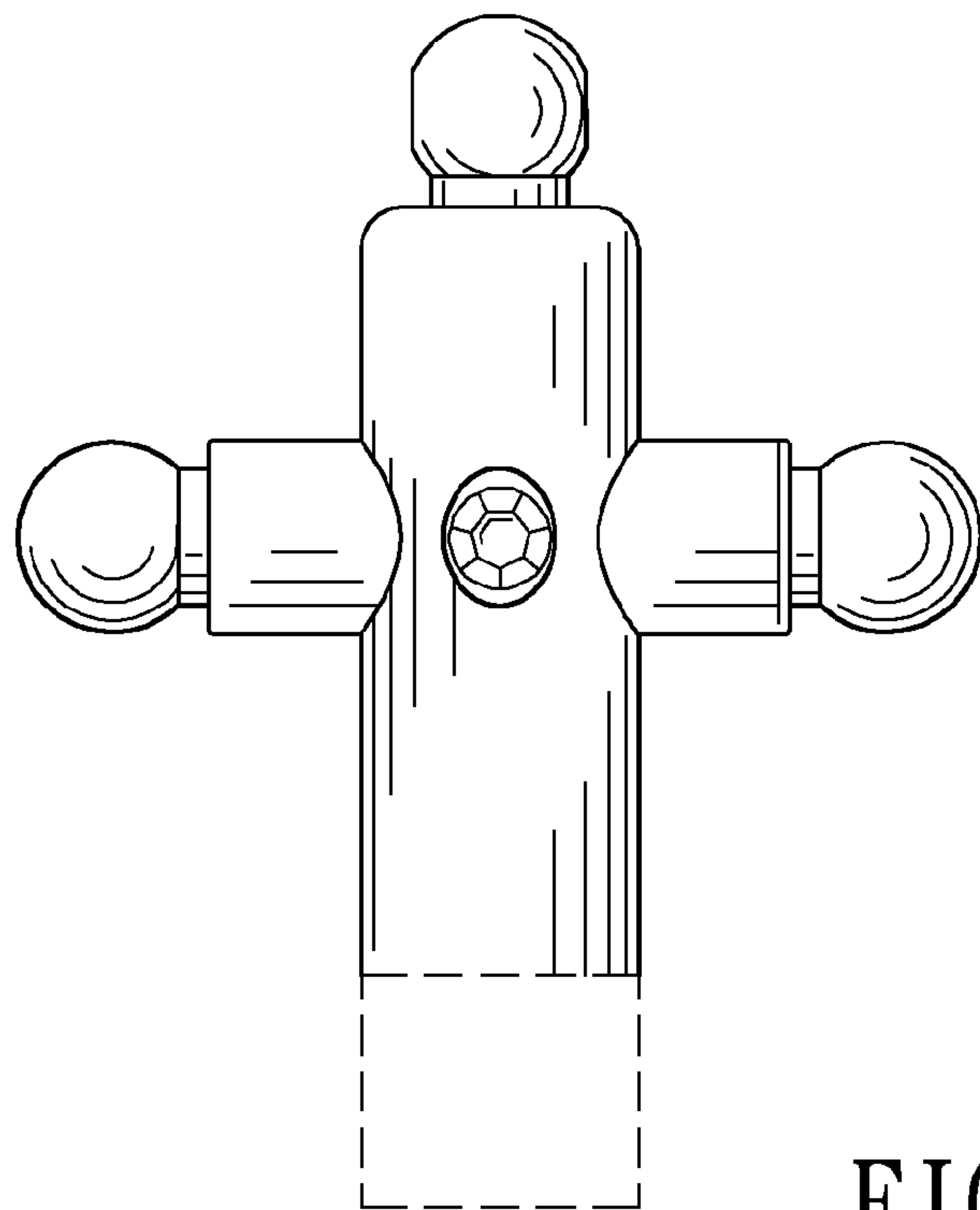


FIG. 3

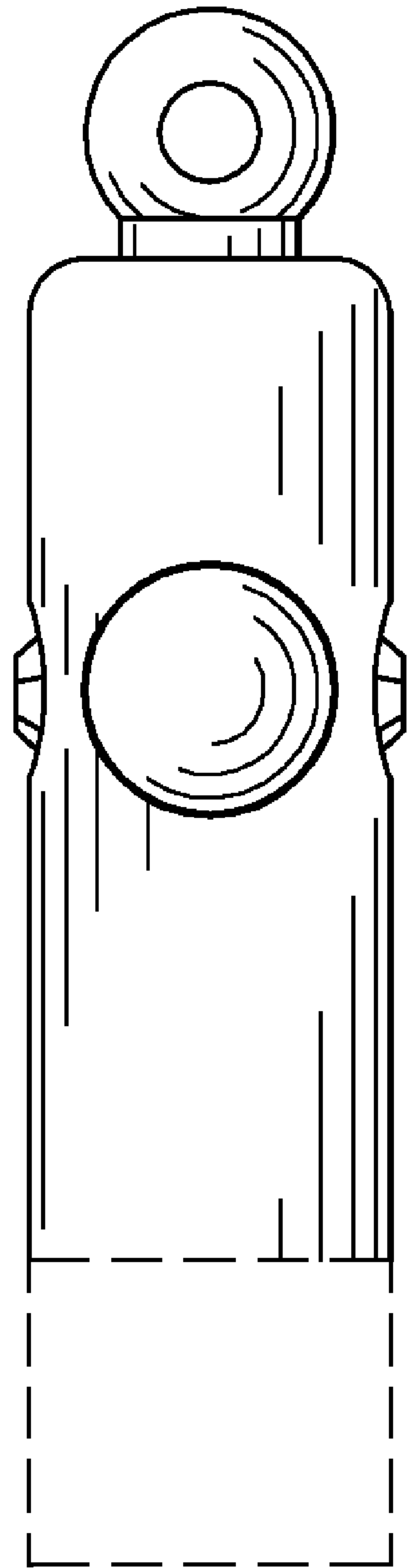


FIG. 4

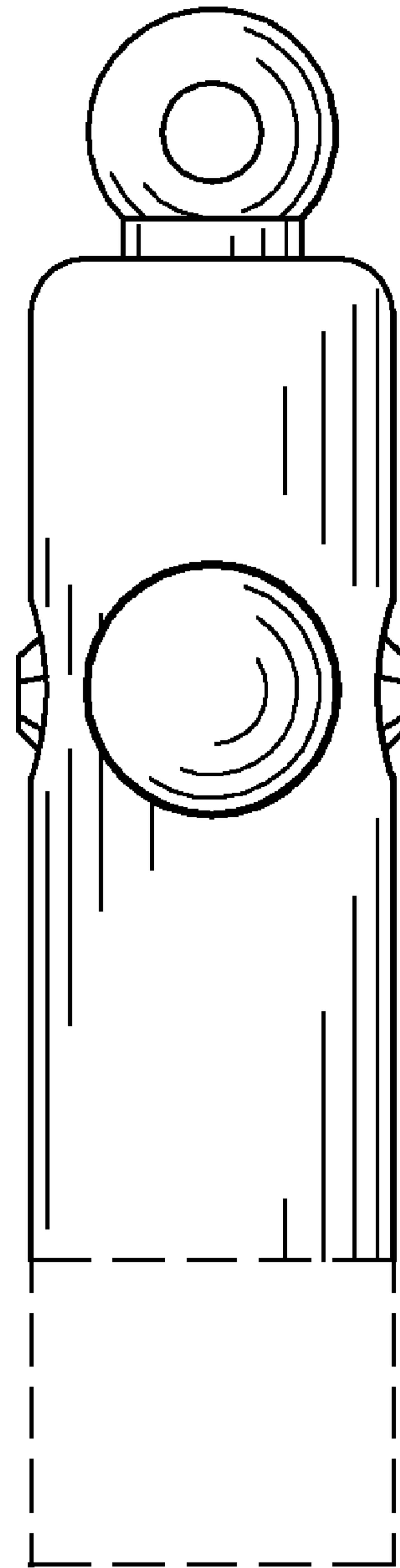


FIG. 5

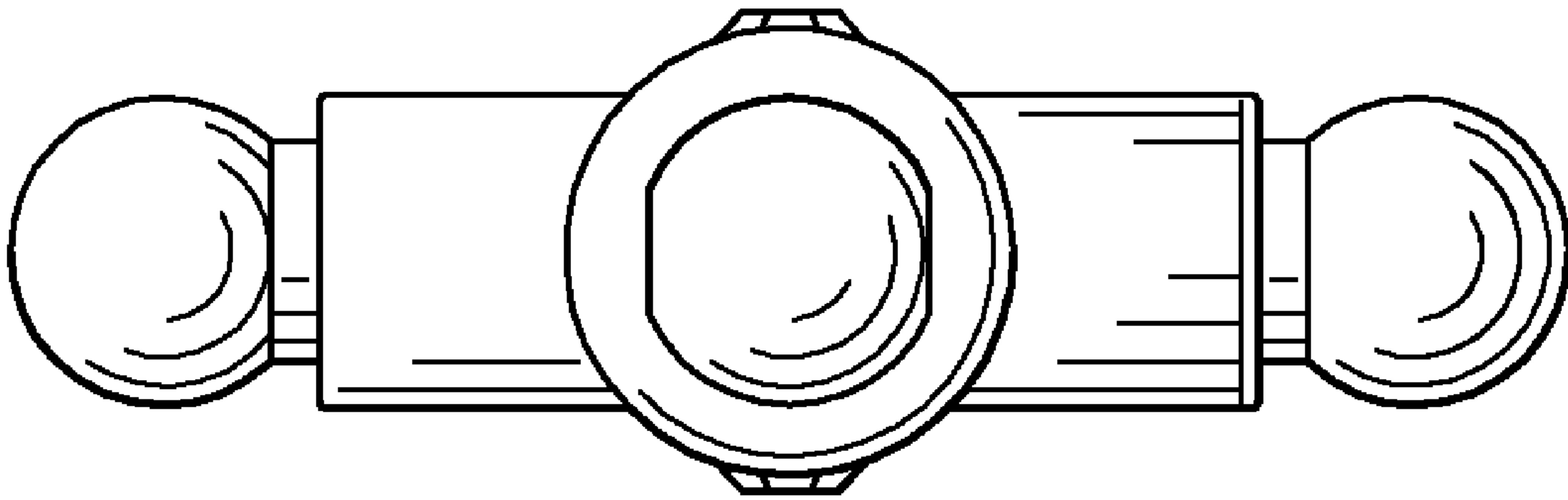


FIG. 6

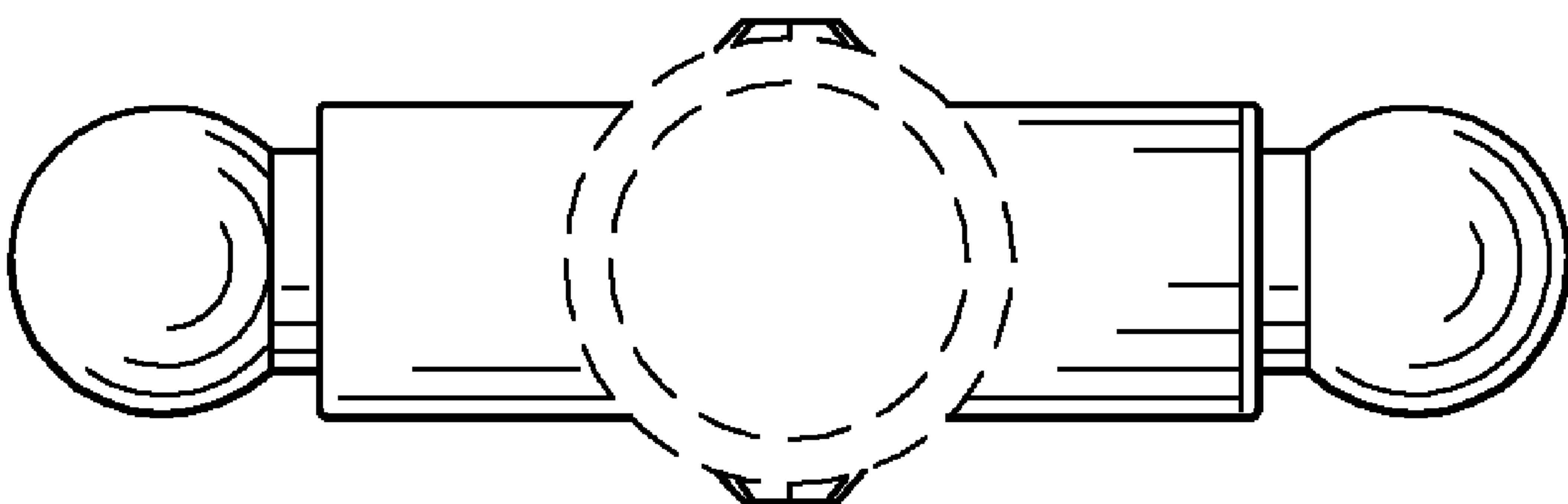


FIG. 7