



US00D625166S

(12) **United States Design Patent**
Liu

(10) **Patent No.:** **US D625,166 S**
(45) **Date of Patent:** **** Oct. 12, 2010**

(54) **PIVOTAL CONNECTION FOR A TOOL BOX**

D541,624 S * 5/2007 Franchini D8/328
D584,130 S * 1/2009 Bertani D8/328

(76) Inventor: **Chia-Chun Liu**, No. 94, Ln. 437,
Zhenzing Rd., East Dist., Taichung City
401 (TW)

* cited by examiner

(**) Term: **14 Years**

Primary Examiner—Robert M Spear
Assistant Examiner—Cynthia Underwood

(21) Appl. No.: **29/355,574**

(57) **CLAIM**

(22) Filed: **Feb. 10, 2010**

The ornamental design for a pivotal connection for a tool box,
as shown and described.

(51) **LOC (9) Cl.** **08-06**

(52) **U.S. Cl.** **D8/328**

(58) **Field of Classification Search** D8/328,
D8/323, 324, 330, 325, 327, 331, 336, 353,
D8/338; D16/334; 4/236, 240; 16/309,
16/235, 275, 244, 379, 390, 430, 241, 238,
16/245, 236, 243, 242, 385, 225, 250; 49/381;
D23/302, 303; 248/682; D10/69; 33/347,
33/365–390; D3/905

DESCRIPTION

See application file for complete search history.

FIG. 1 is a perspective view of the pivotal connection showing
my new design;

FIG. 2 is a front view thereof;

FIG. 3 is a rear view thereof;

FIG. 4 is a left side view thereof;

FIG. 5 is a right side view thereof;

FIG. 6 is a top plan view thereof;

FIG. 7 is a bottom view thereof;

FIG. 8 is an illustration when the pivotal connection for a tool
box is in use thereof; and,

FIG. 9 is another illustration when the pivotal connection for
a tool box is in use.

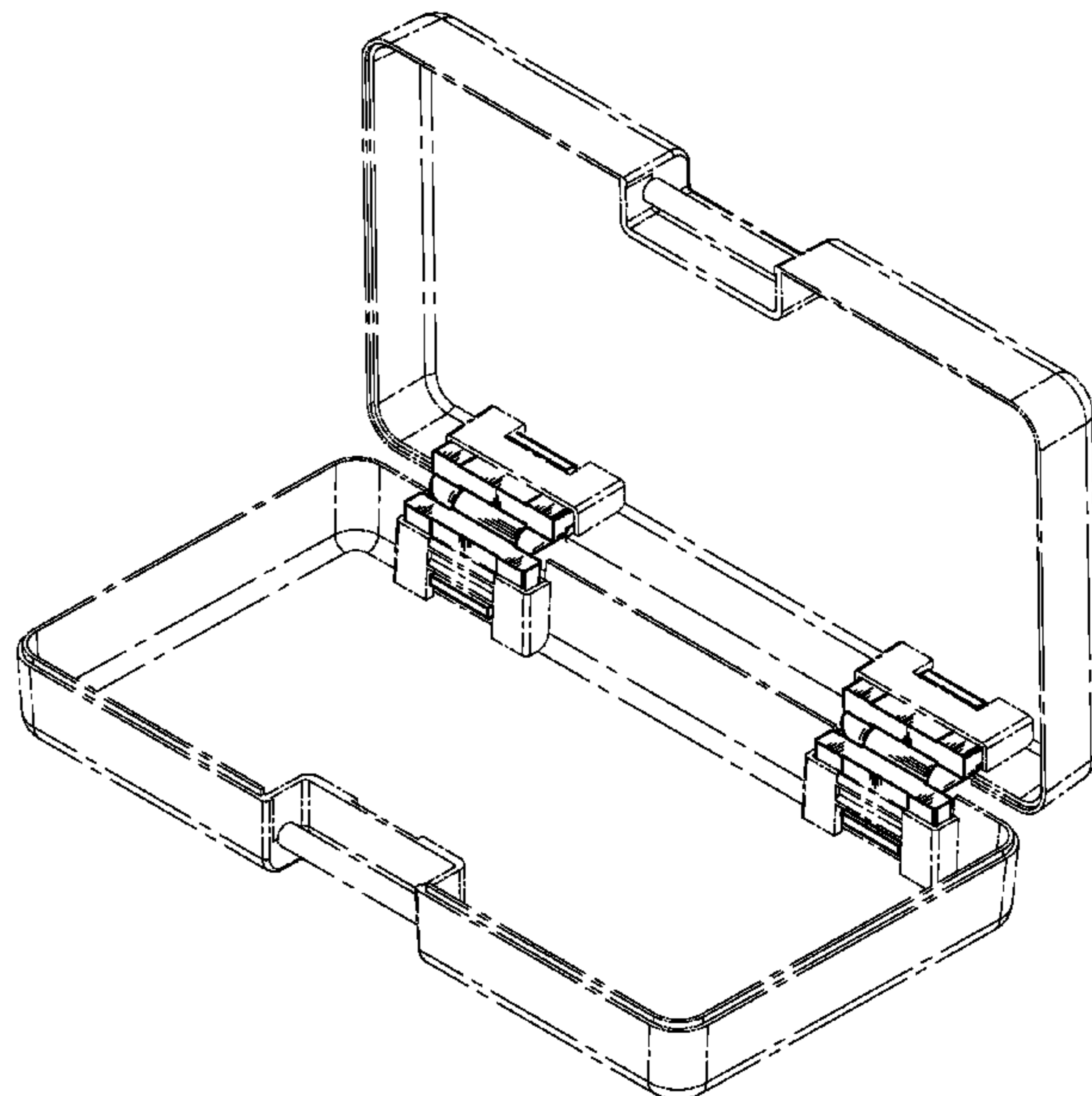
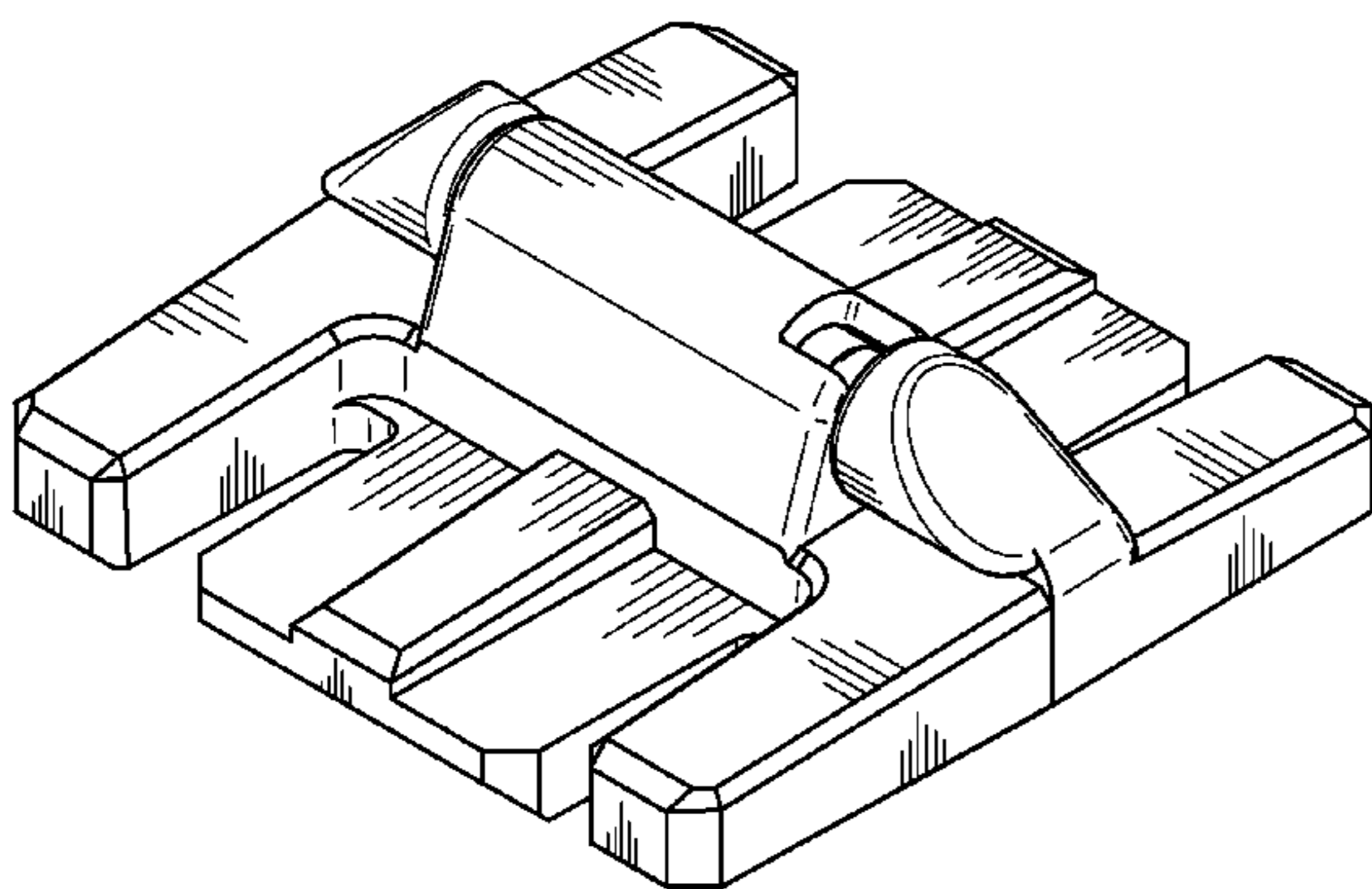
The broken lines in the drawing are for illustrative purposes
only and form no part of the claimed design.

(56) **References Cited**

U.S. PATENT DOCUMENTS

D99,756	S	*	5/1936	Atwood	D8/327
3,516,115	A	*	6/1970	Koleske	16/225
3,827,266	A	*	8/1974	Walters	70/104
4,015,600	A	*	4/1977	Liautaud	604/177
4,630,333	A	*	12/1986	Vickers	16/338
D301,116	S	*	5/1989	Foshee et al.	D8/331
5,412,842	A	*	5/1995	Riblett	16/334
D436,515	S	*	1/2001	Sonntag	D8/328

1 Claim, 9 Drawing Sheets



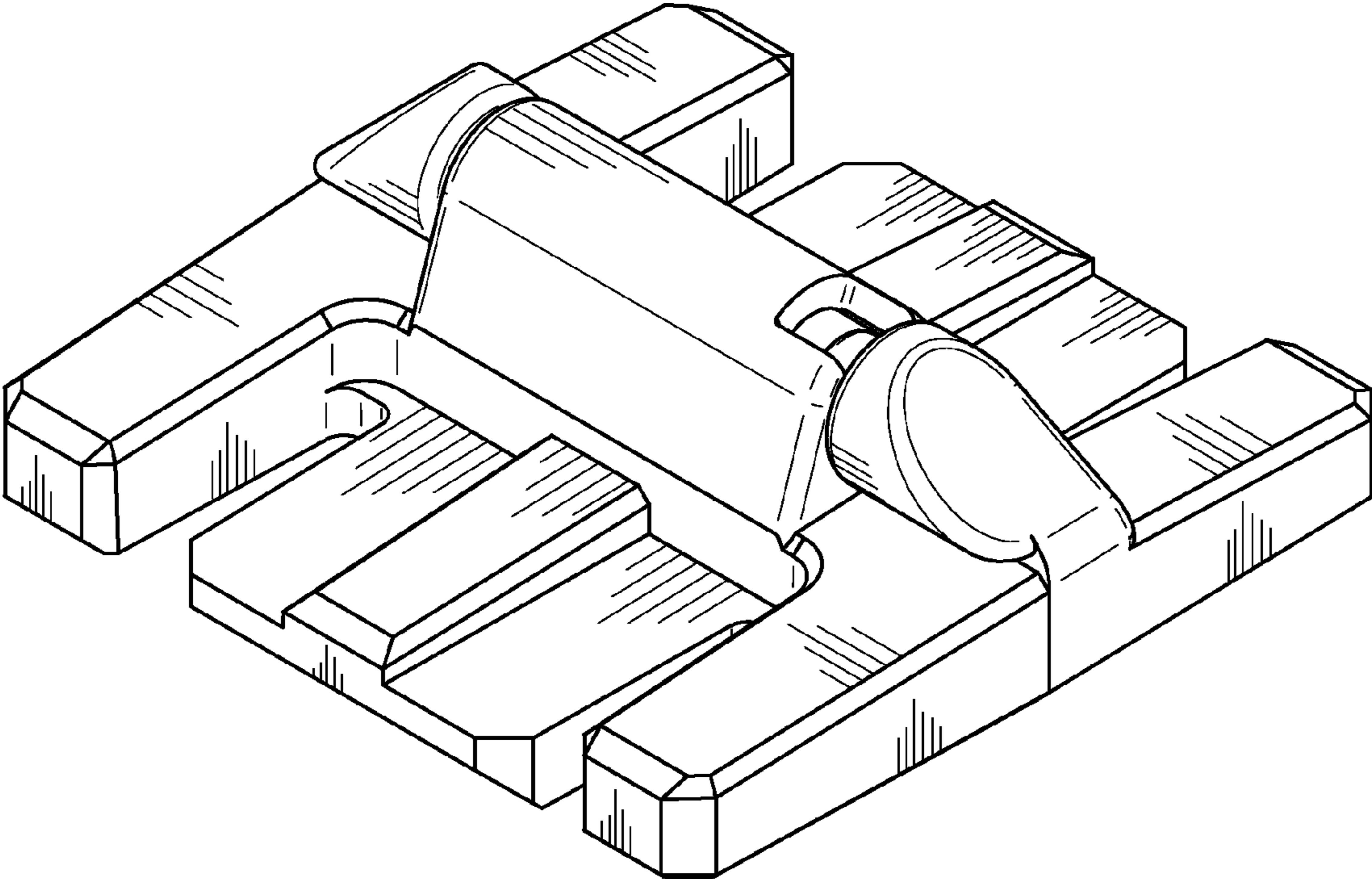


FIG. 1

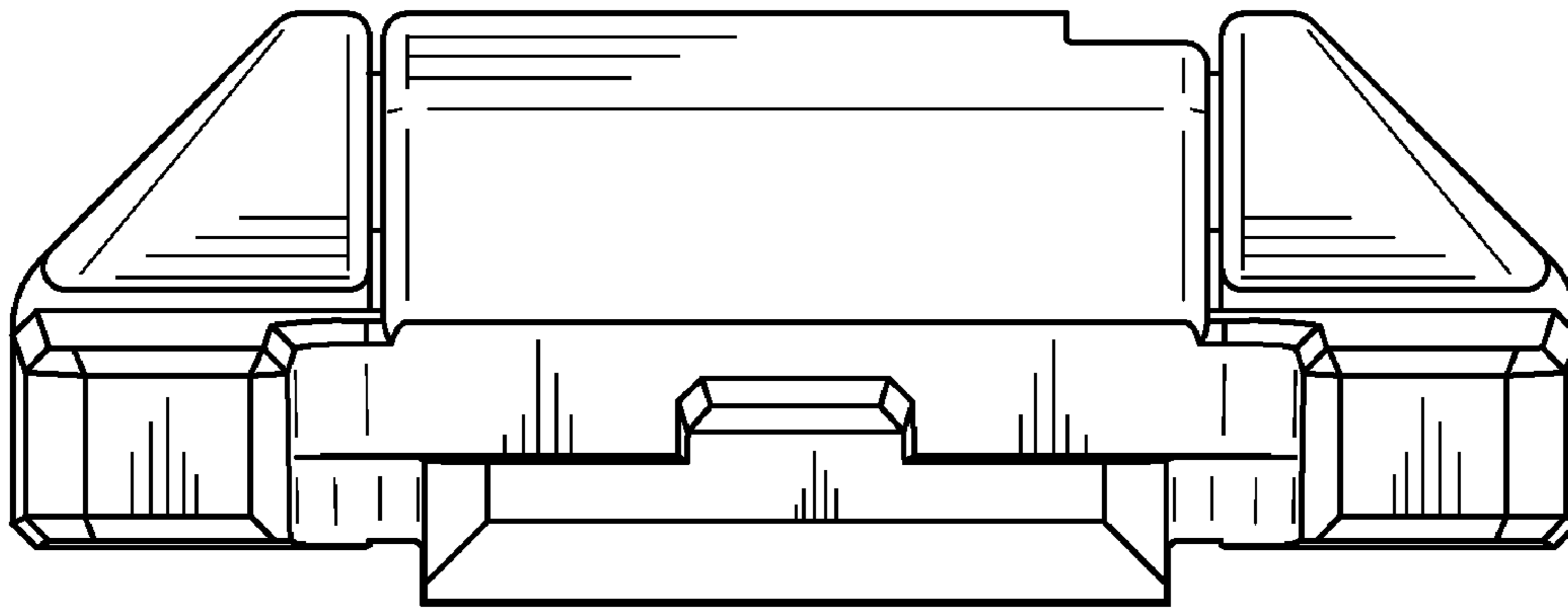


FIG. 2

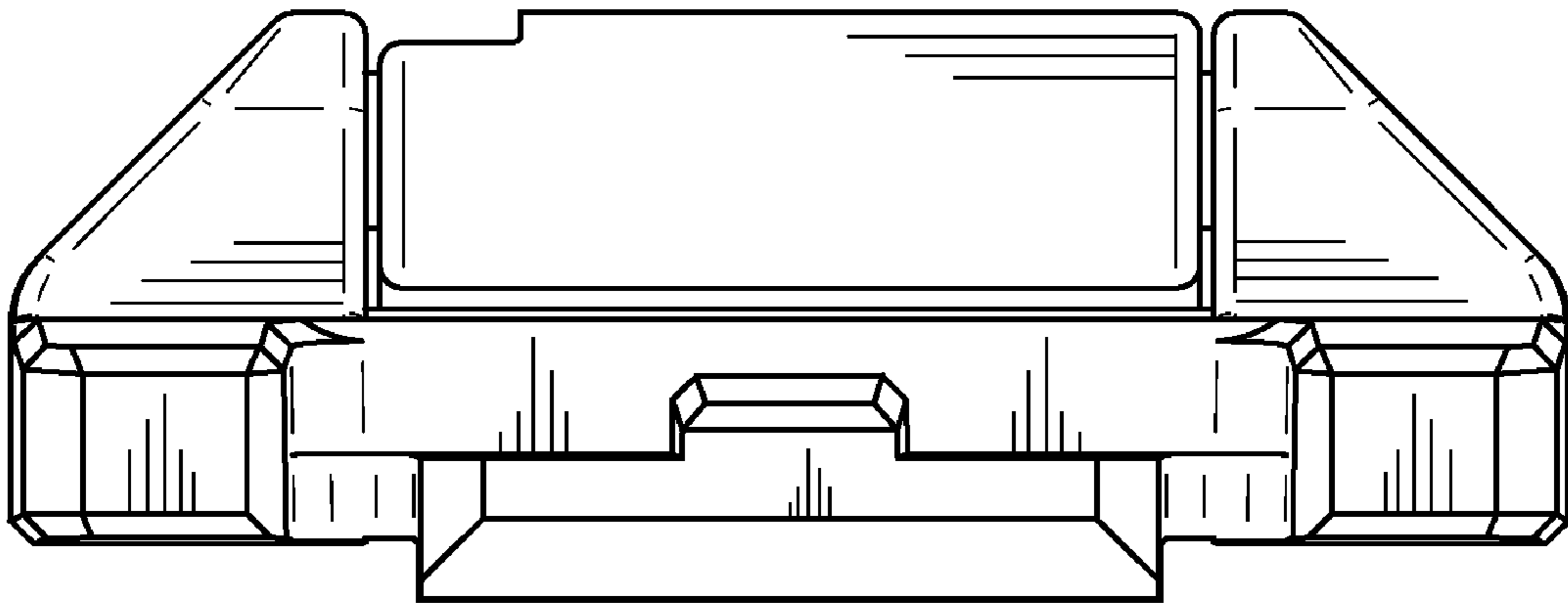


FIG. 3

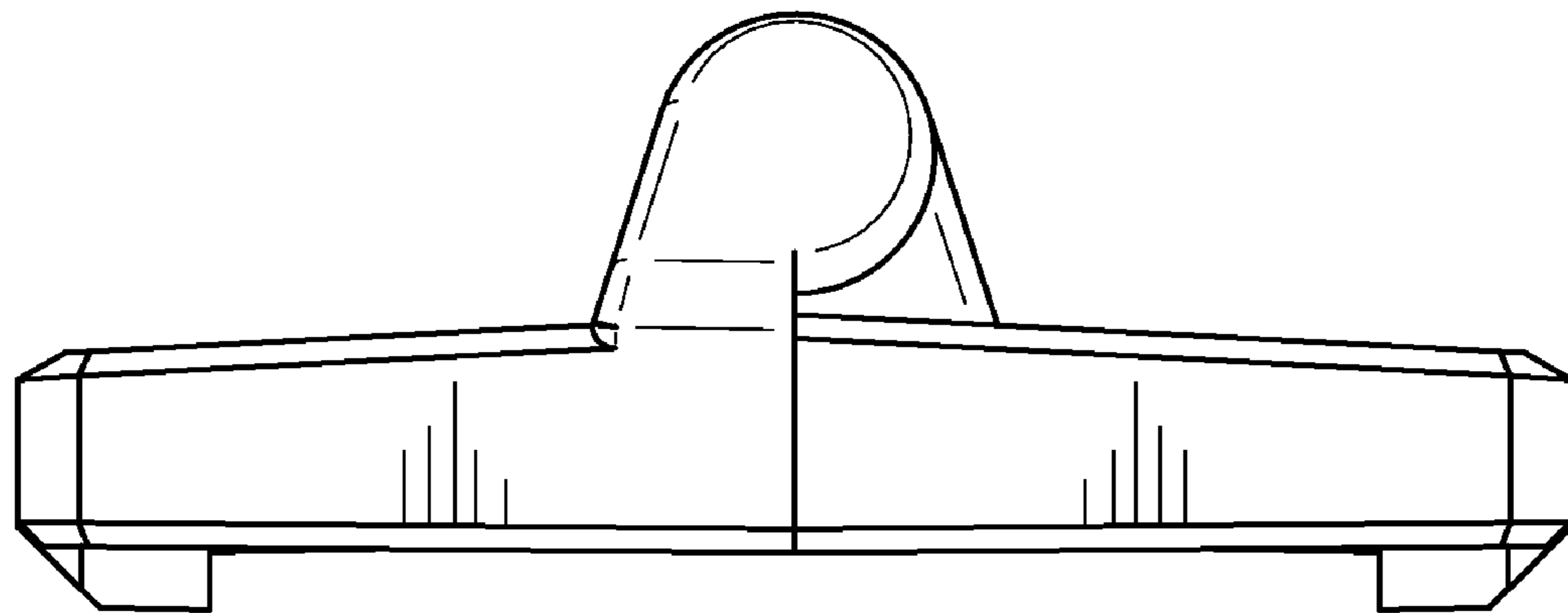


FIG. 4

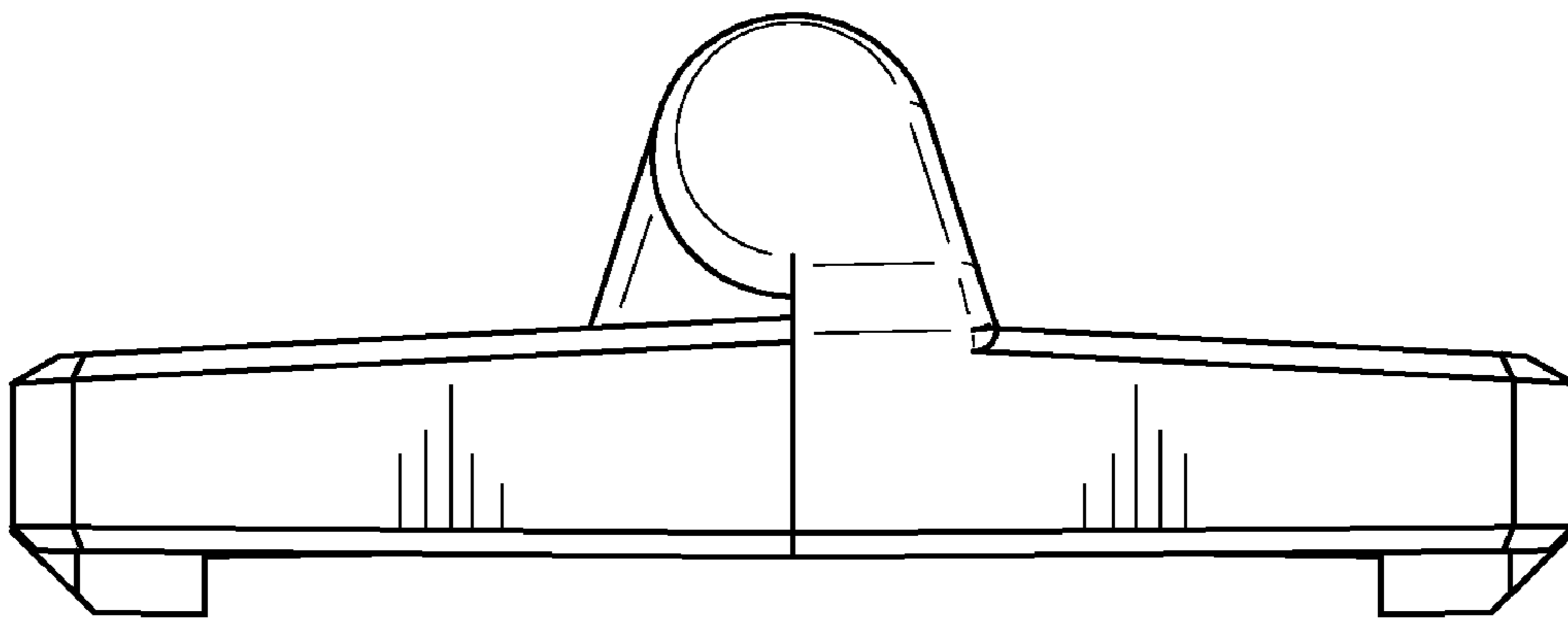


FIG. 5

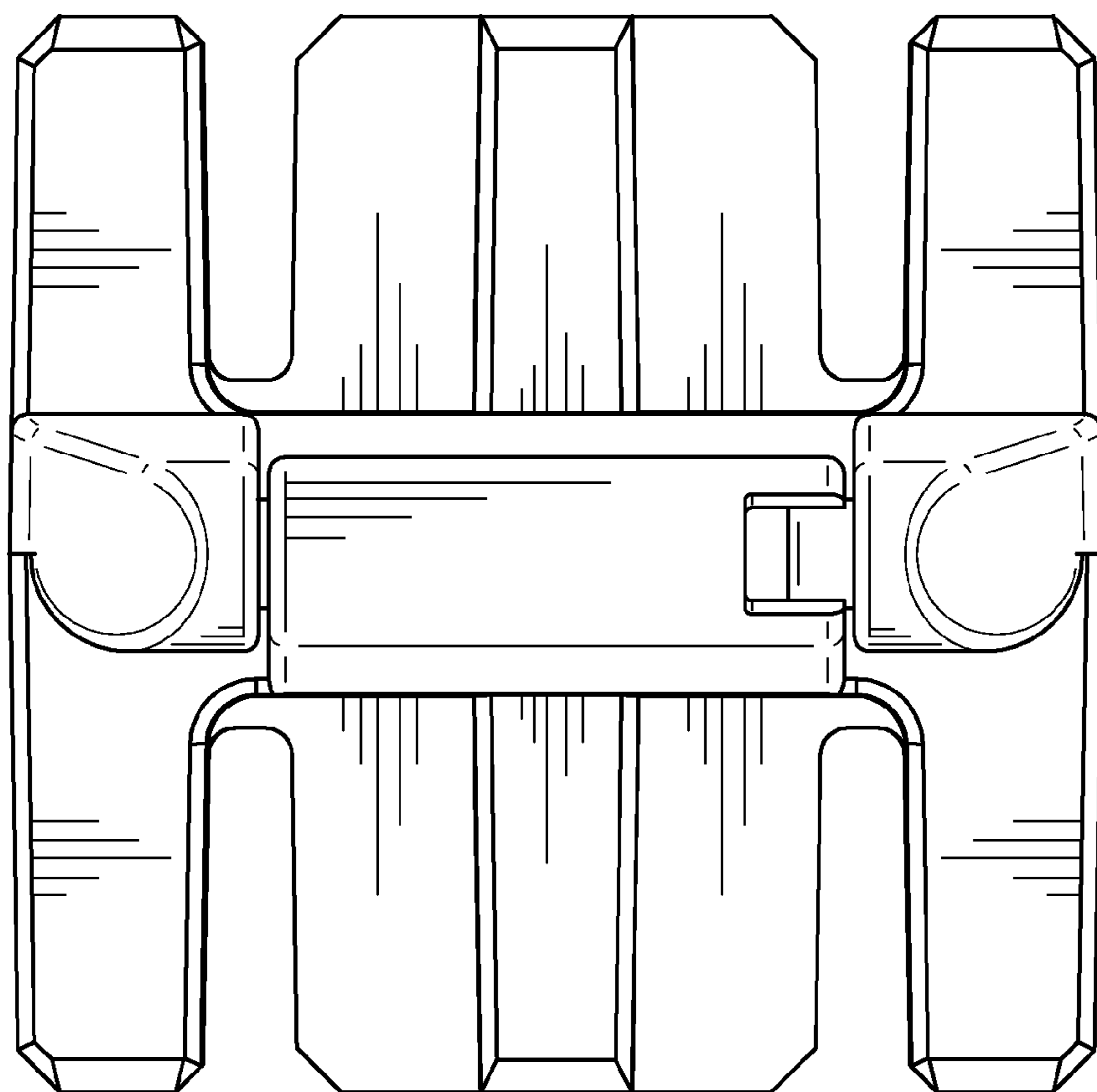


FIG. 6

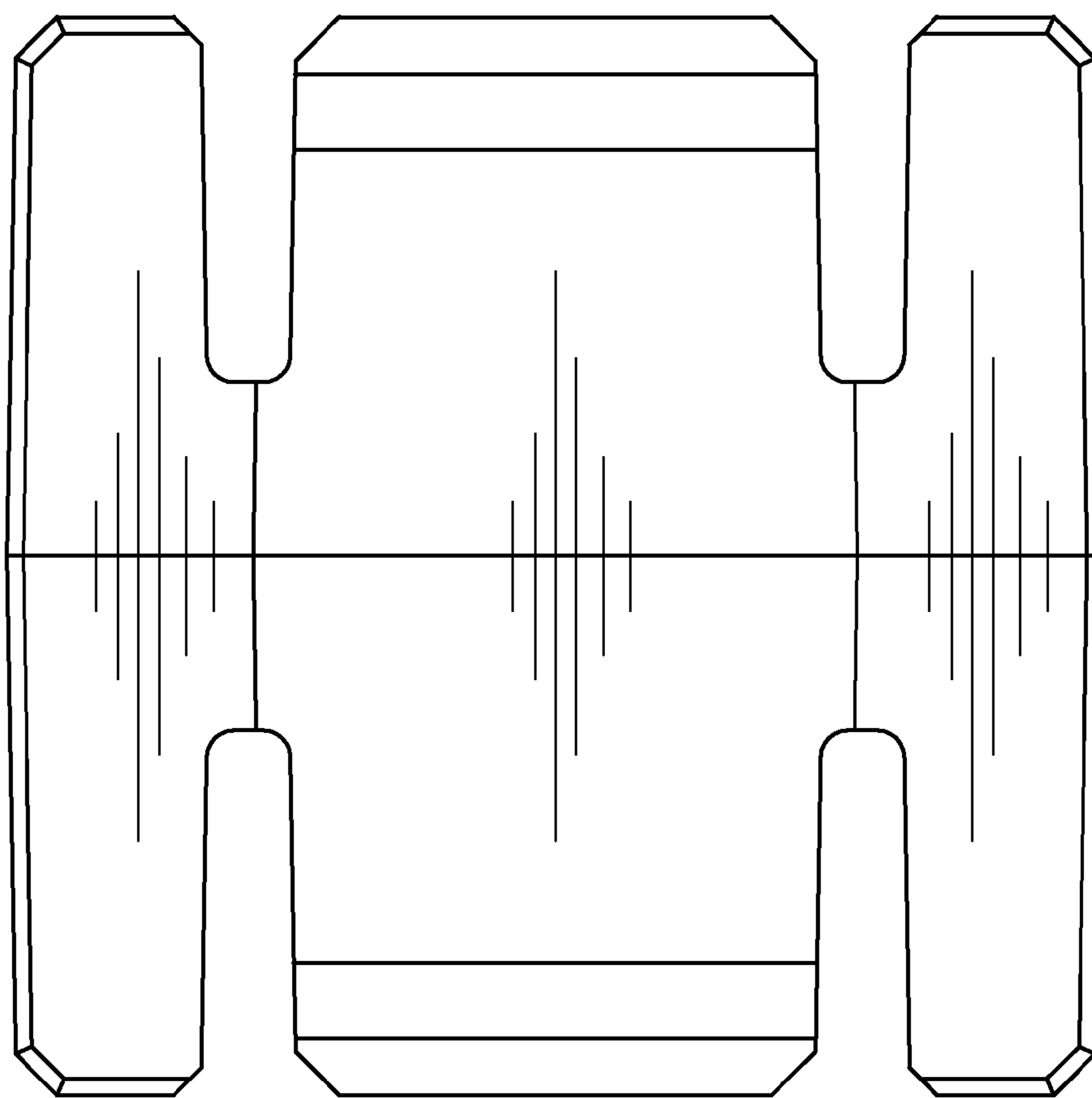


FIG. 7

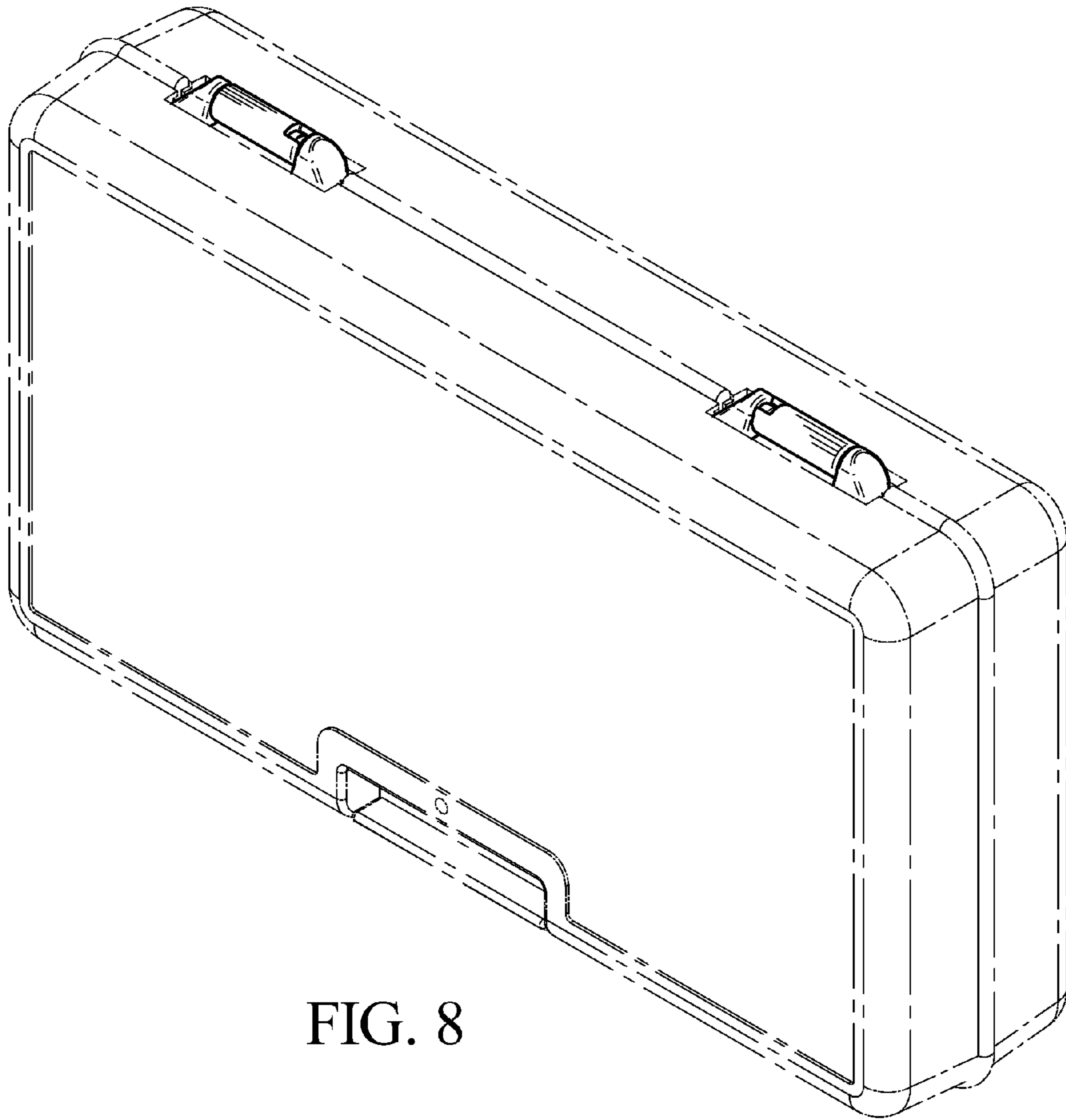


FIG. 8

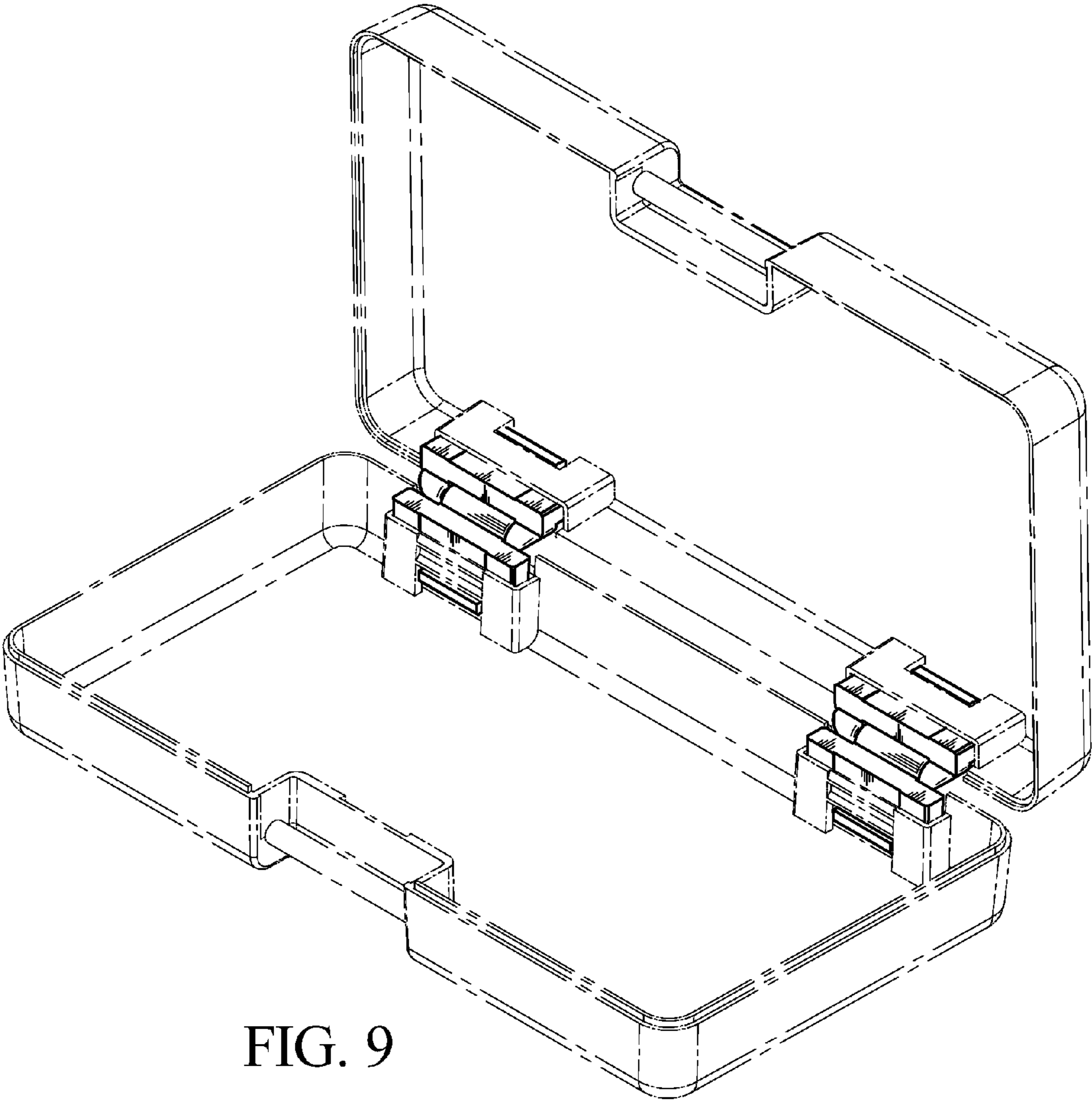


FIG. 9