



US00D625164S

(12) **United States Design Patent**
Aglassinger

(10) **Patent No.:** **US D625,164 S**
(45) **Date of Patent:** **** Oct. 12, 2010**

(54) **CORDLESS DRILL DRIVER**

7,201,235 B2 * 4/2007 Umemura et al. 173/217
D592,926 S * 5/2009 Aglassinger D8/68

(75) Inventor: **Hans-Peter Aglassinger**, Esslingen (DE)

(73) Assignee: **Robert Bosch GmbH**, Stuttgart (DE)

(**) Term: **14 Years**

(21) Appl. No.: **29/356,053**

(22) Filed: **Feb. 19, 2010**

(30) **Foreign Application Priority Data**

Dec. 18, 2009 (EM) 001185243

(51) **LOC (9) Cl.** **08-04**

(52) **U.S. Cl.** **D8/68**

(58) **Field of Classification Search** D8/61-70;
81/57.11, 429, 454-456, 469, 489; 173/13,
173/46, 104, 114, 167-173, 178, 201, 211,
173/213, 214, 217, 198; 227/8, 113, 114,
227/120, 130, 136, 142; 310/50; 408/20,
408/35, 117, 124, 125, 234, 241 R, 58, 67;
451/358; 7/158, 165

See application file for complete search history.

(56) **References Cited**

U.S. PATENT DOCUMENTS

D536,943 S * 2/2007 Tsai et al. D8/68

* cited by examiner

Primary Examiner—Antoine D Davis

(74) *Attorney, Agent, or Firm*—Victor A. Henzi

(57) **CLAIM**

The ornamental design for a cordless drill driver, as shown and described.

DESCRIPTION

FIG. 1 is a left bottom perspective view of the cordless drill driver;

FIG. 2 is a left elevational view thereof;

FIG. 3 is a right elevational view thereof;

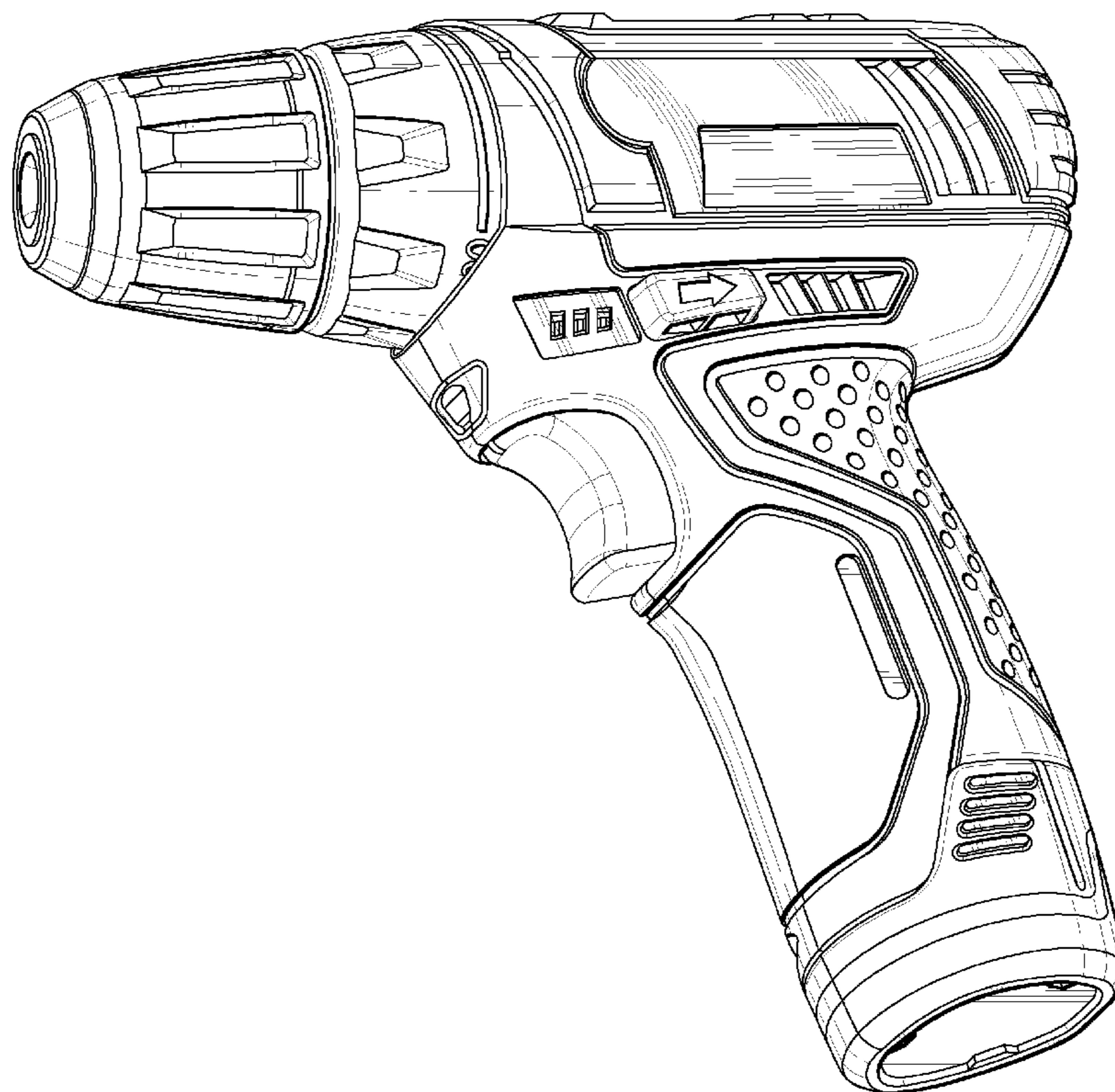
FIG. 4 is front elevational view a thereof;

FIG. 5 is a rear elevational view thereof;

FIG. 6 is a top plan view thereof; and,

FIG. 7 is a bottom plan view thereof.

1 Claim, 6 Drawing Sheets



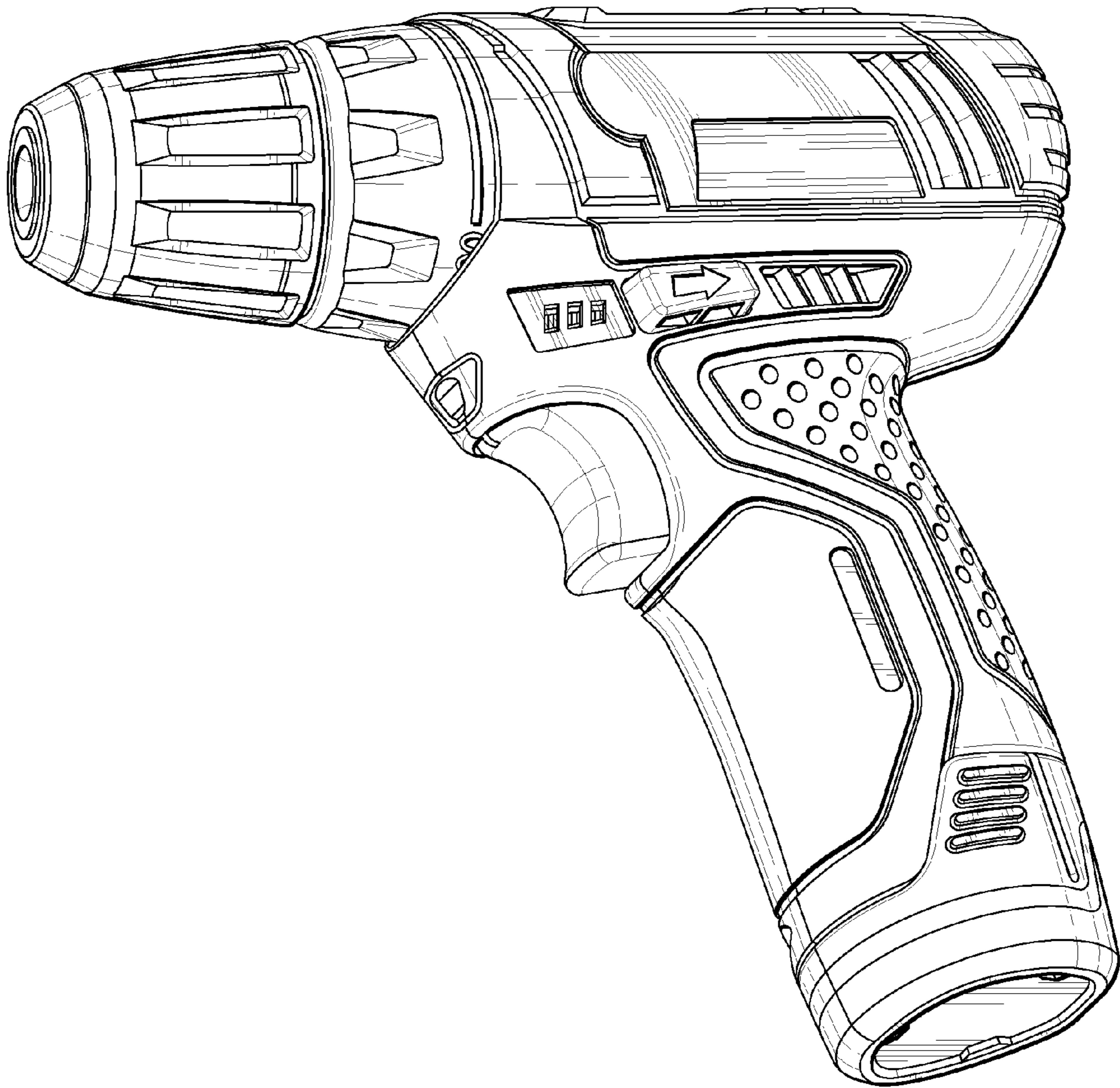


Fig. 1

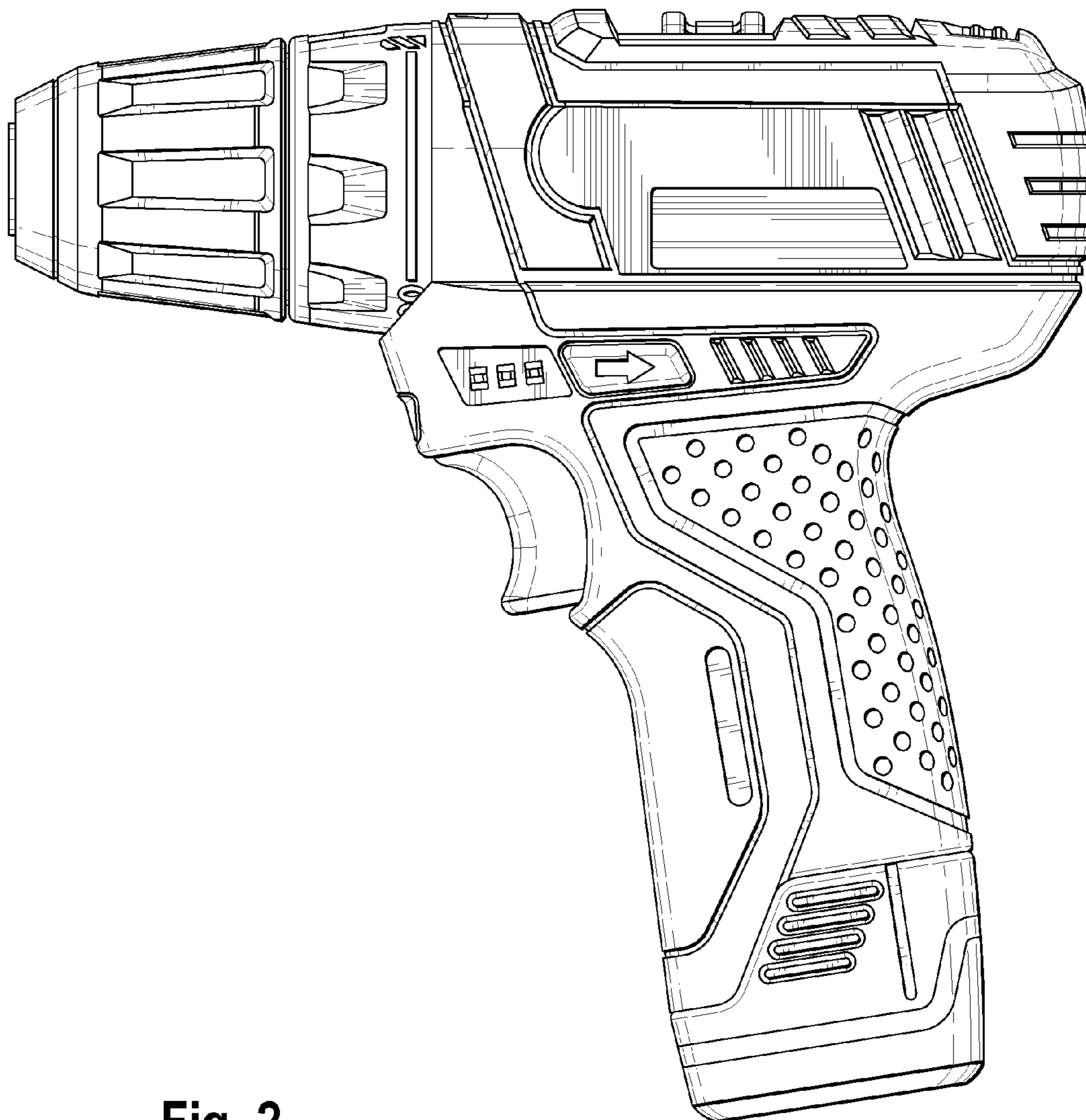


Fig. 2

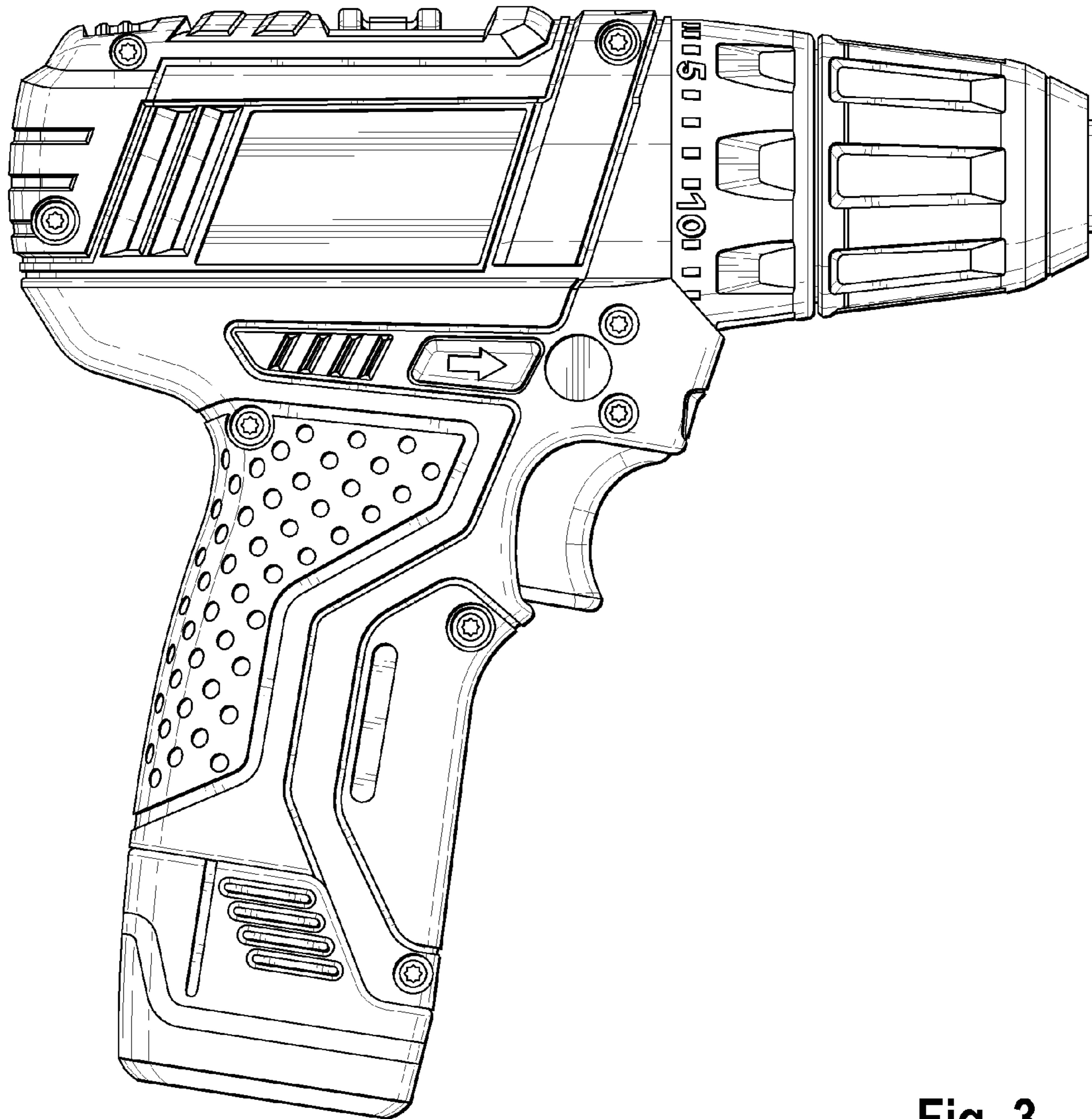


Fig. 3

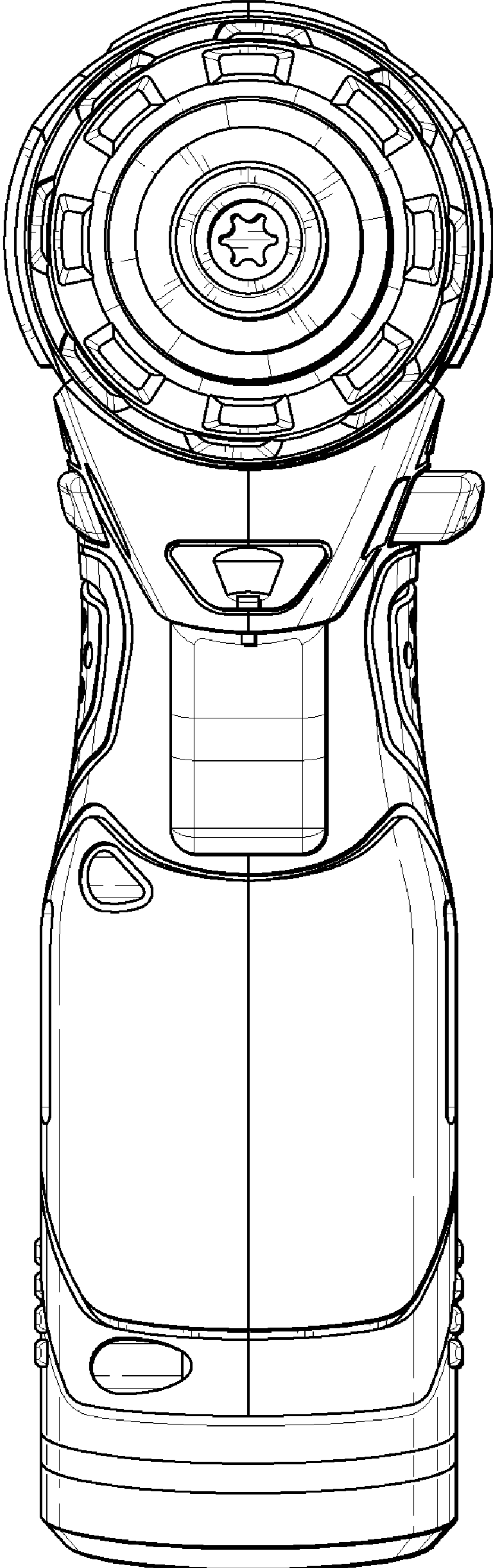


Fig. 4

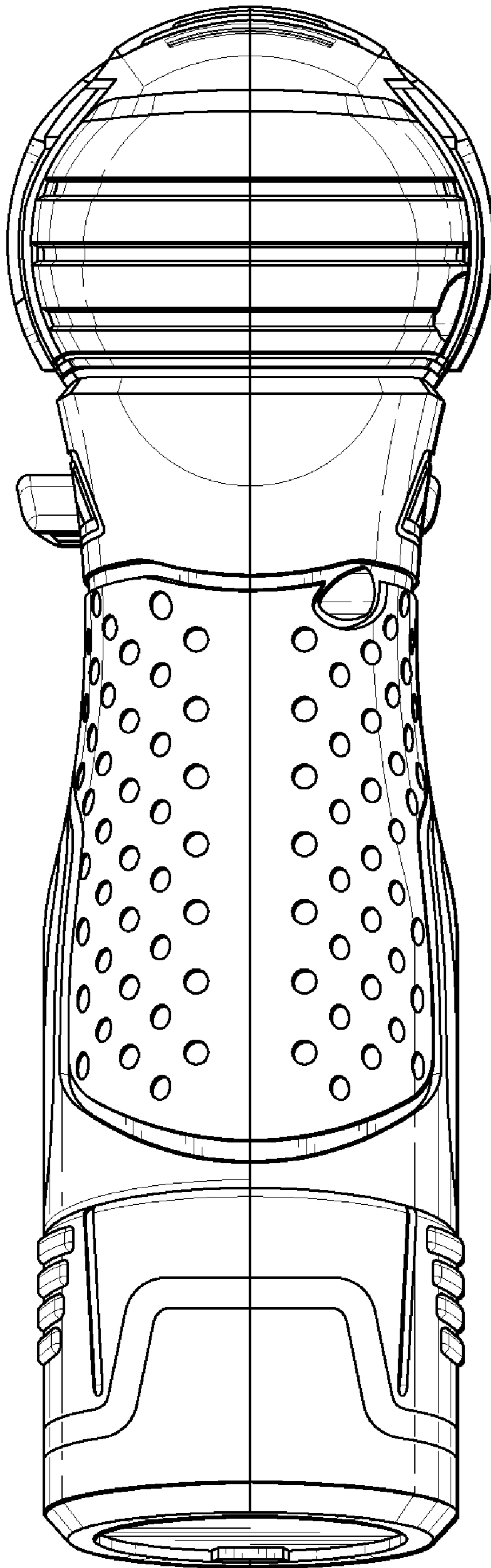


Fig. 5

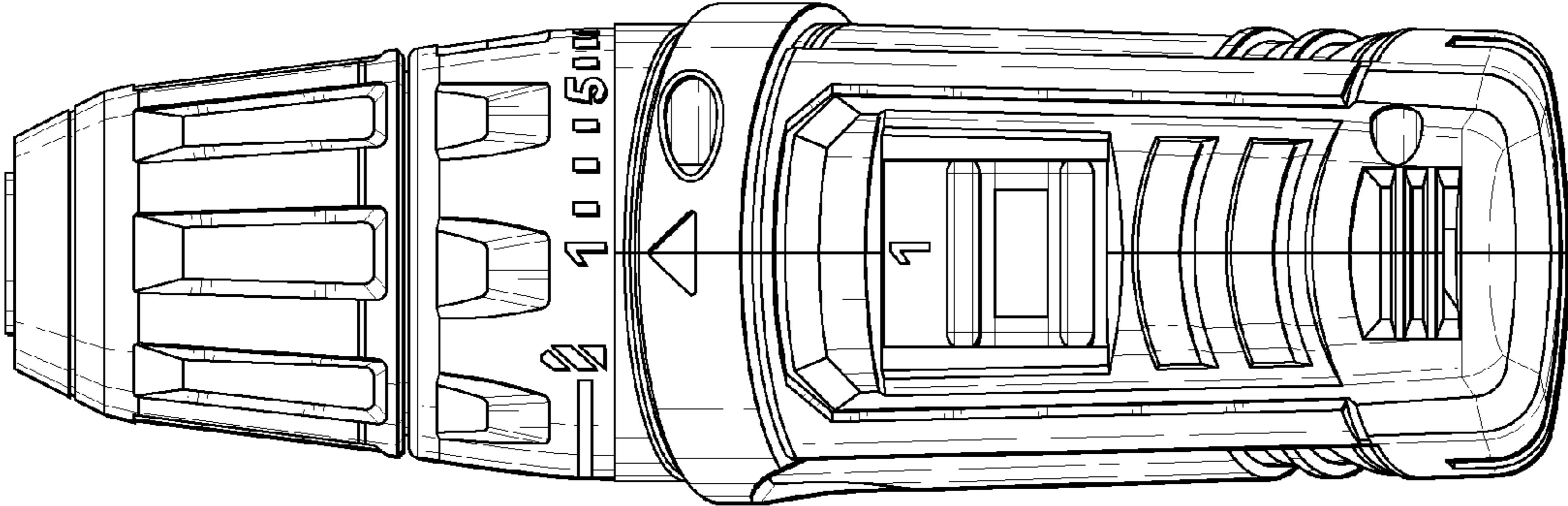


Fig. 6

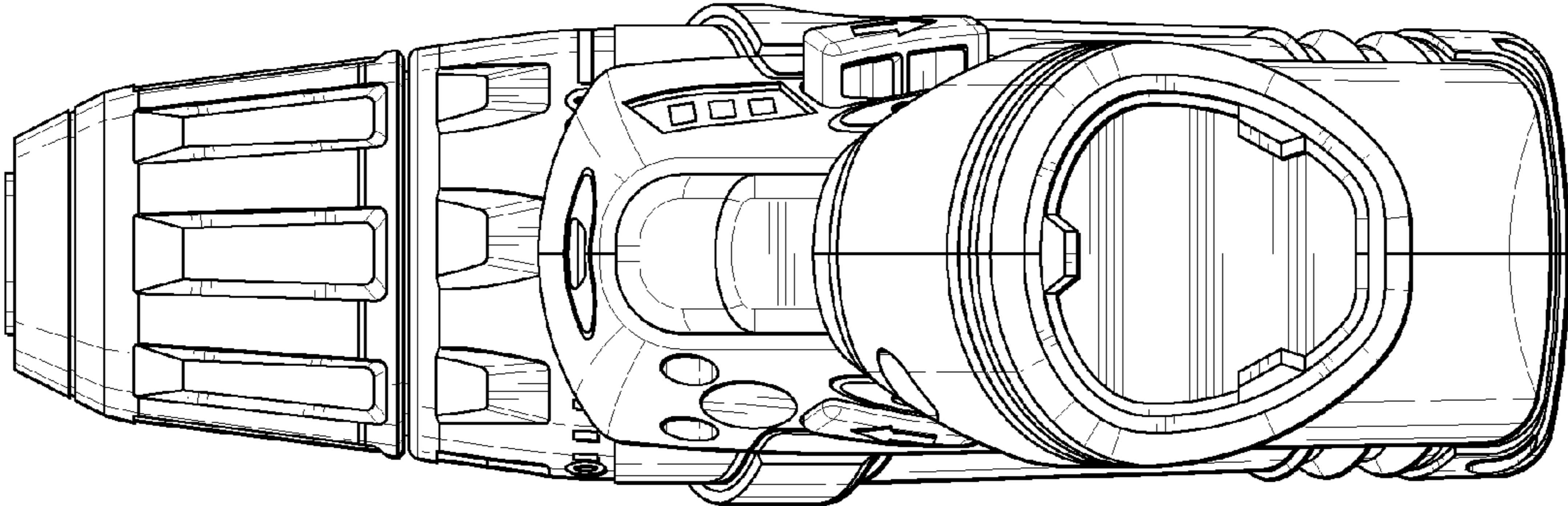


Fig. 7