



US00D625162S

(12) **United States Design Patent**  
**Orlitzky**

(10) **Patent No.:** **US D625,162 S**

(45) **Date of Patent:** **\*\* Oct. 12, 2010**

(54) **CARTRIDGE LUBRICANT INJECTOR**

7,228,941 B2 6/2007 Weigand et al.

(75) Inventor: **Stephen Orlitzky**, Delta (CA)

FOREIGN PATENT DOCUMENTS

(73) Assignee: **Stephania Holdings, Inc.**, Delta, British Columbia (CA)

GB 229318 12/1925  
GB 691226 5/1953

(\*\*) Term: **14 Years**

OTHER PUBLICATIONS

(21) Appl. No.: **29/267,083**

*SKF Maintenance Products*—brochure titled “SKF System MultiPoint” © Copyright SKF 2002/11.  
International Search Report and Written Opinion of the International Searching Authority dated Apr. 30, 2010 for Application No. PCT/CA2010/00259.

(22) Filed: **Oct. 3, 2006**

\* cited by examiner

(51) **LOC (9) Cl.** ..... **08-05**

*Primary Examiner*—Robin V Webster

(52) **U.S. Cl.** ..... **D8/14.1; D15/150**

(74) *Attorney, Agent, or Firm*—Christie, Parker & Hale, LLP

(58) **Field of Classification Search** ..... D23/207,  
D23/209; D8/14.1, 29.1; D15/150; 222/262,  
222/391

(57) **CLAIM**

See application file for complete search history.

The ornamental design for cartridge lubricant injector, as shown and described.

(56) **References Cited**

**DESCRIPTION**

U.S. PATENT DOCUMENTS

1,720,398 A	7/1929	Harrigan	
1,813,183 A	7/1931	Mathewson	
1,834,321 A	12/1931	Tervo	
1,996,929 A *	4/1935	Mays	222/262
2,556,702 A	6/1951	Nielsen	
2,731,173 A	1/1956	Harrigan	
2,877,935 A *	3/1959	Sherbondy	222/326
3,608,672 A	9/1971	Dandridge	
3,622,048 A	11/1971	Batlas	
5,721,528 A	2/1998	Boesch et al.	
5,971,229 A	10/1999	May et al.	
6,675,992 B2	1/2004	Schumann	
D490,671 S *	6/2004	Hung	D8/14.1
6,802,394 B2	10/2004	Patterson et al.	
D510,242 S *	10/2005	Chen	D8/14.1
D523,303 S *	6/2006	Amin	D8/14.1
7,168,595 B2 *	1/2007	Ling	222/263

FIG. 1 is a perspective view of a cartridge lubricant injector according to my new design;

FIG. 2 is a right hand side elevational view of the cartridge lubricant injector of FIG. 1;

FIG. 3 is a top plan view of the cartridge lubricant injector of FIG. 1;

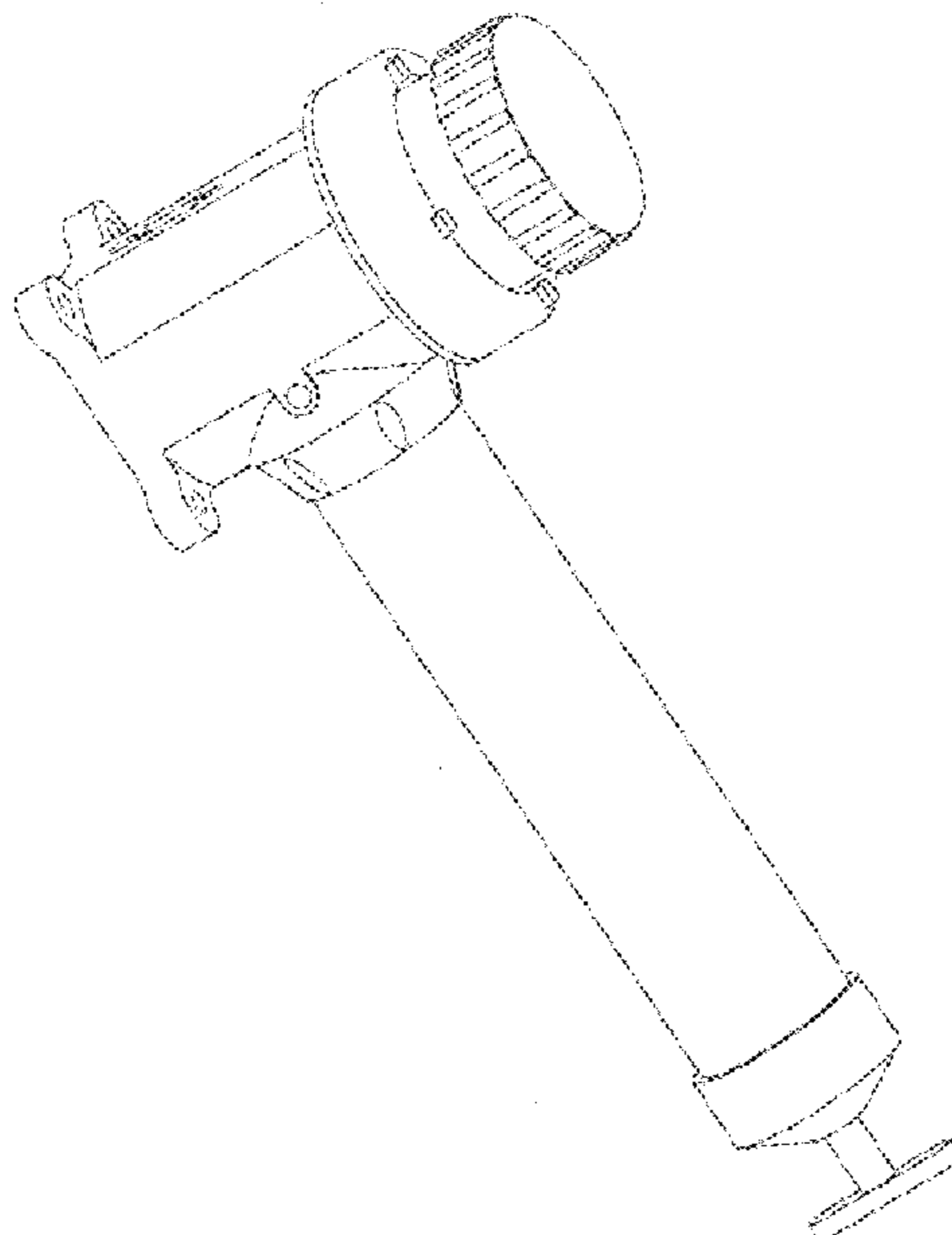
FIG. 4 is a front elevational view of the cartridge lubricant injector of FIG. 1;

FIG. 5 is a bottom view of the cartridge lubricant injector of FIG. 1;

FIG. 6 is a left hand side elevational view of the cartridge lubricant injector of FIG. 1; and,

FIG. 7 is a rear elevational view of the cartridge lubricant injector of FIG. 1.

**1 Claim, 7 Drawing Sheets**



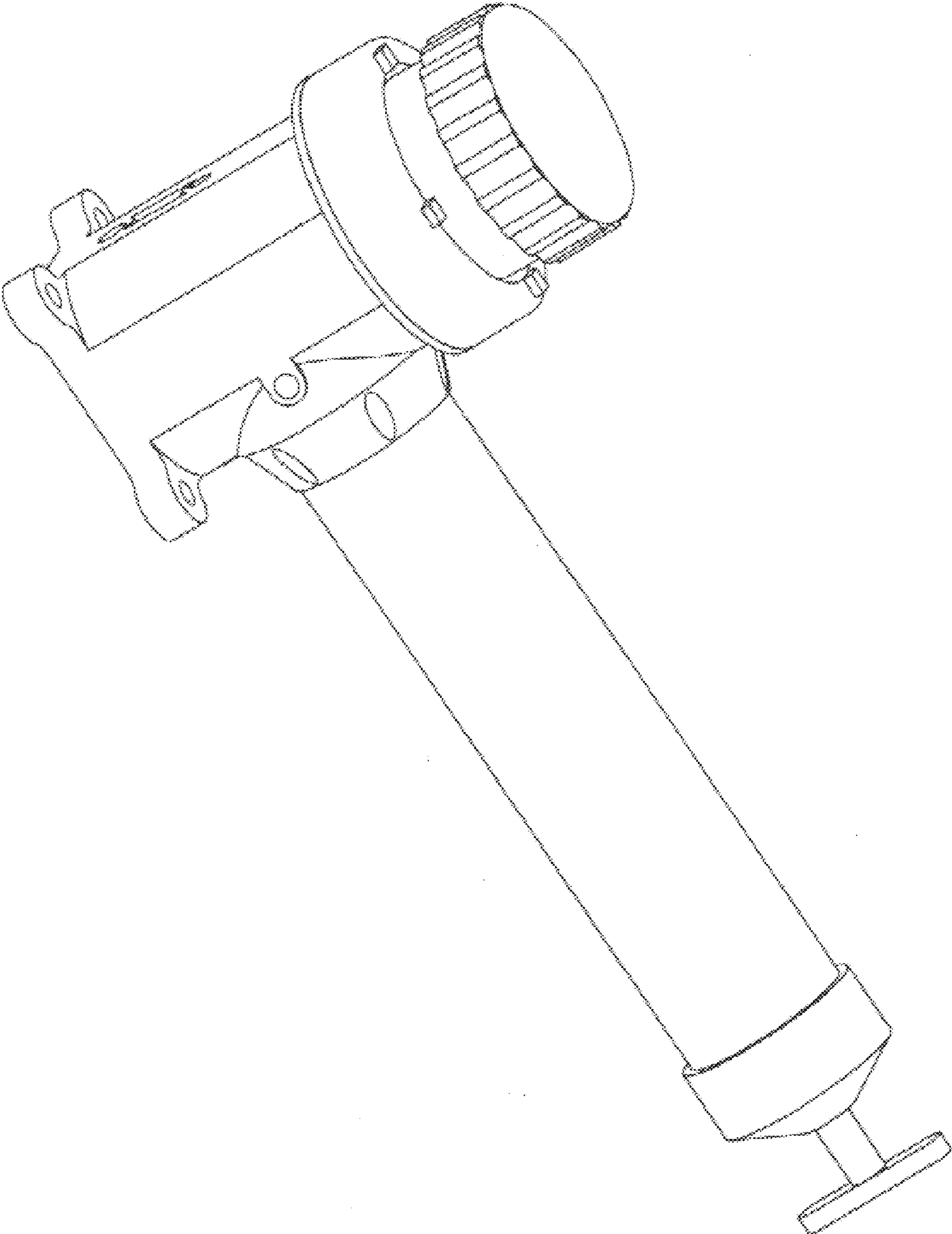


FIG. 1

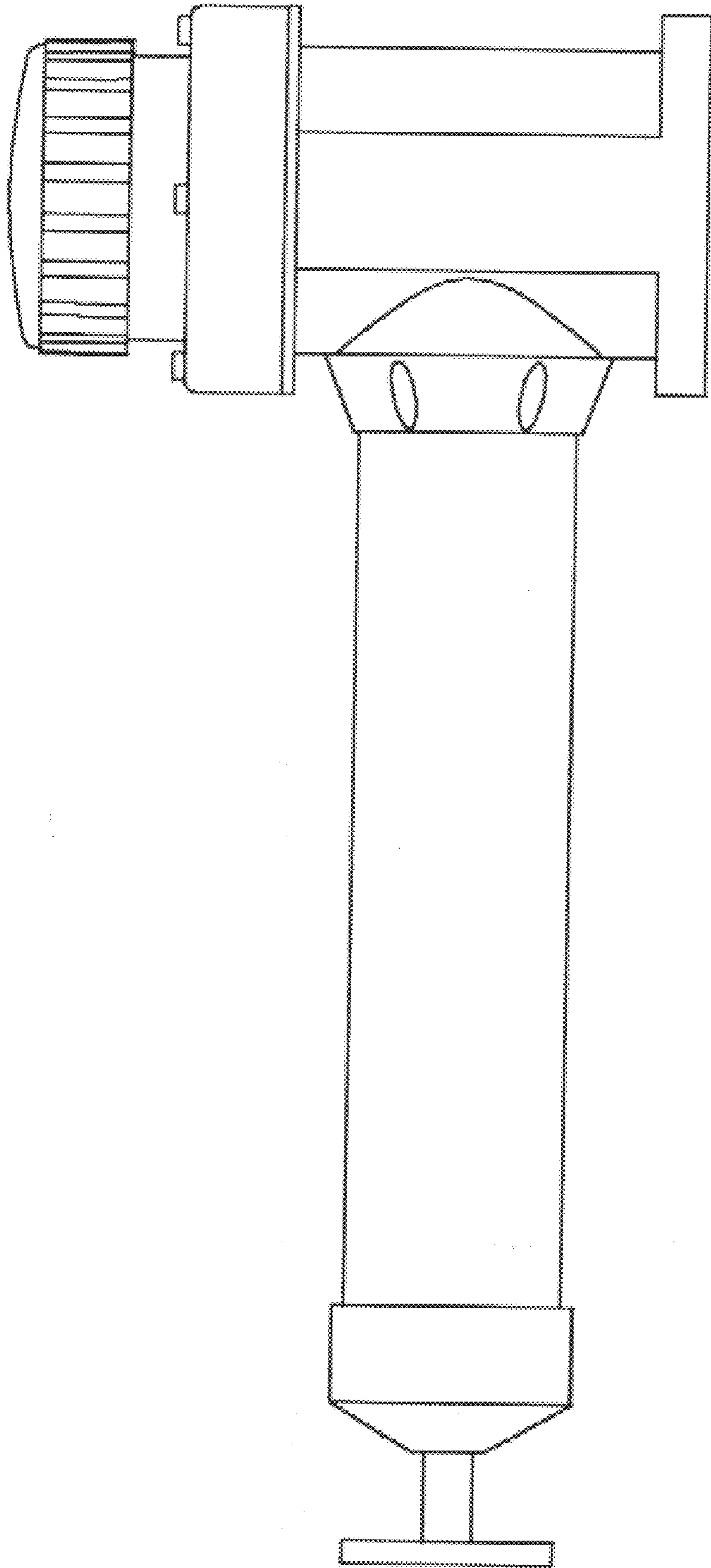


FIG. 2

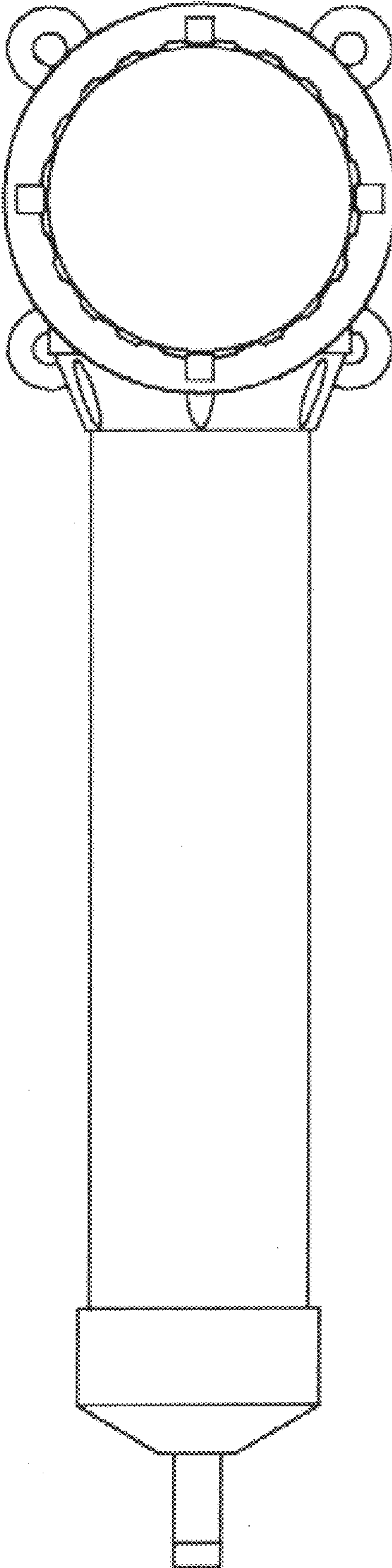


FIG. 3

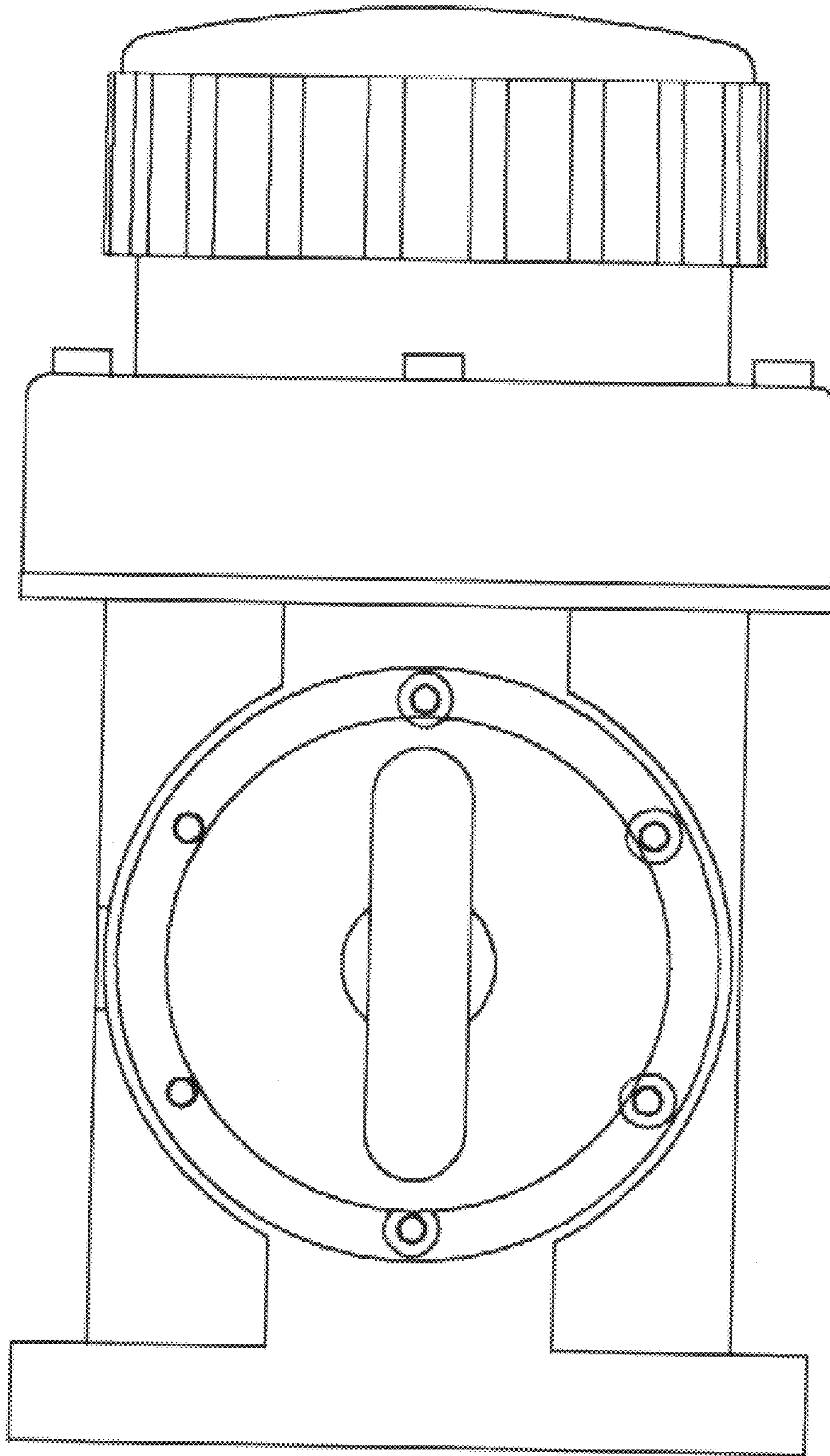


FIG. 4

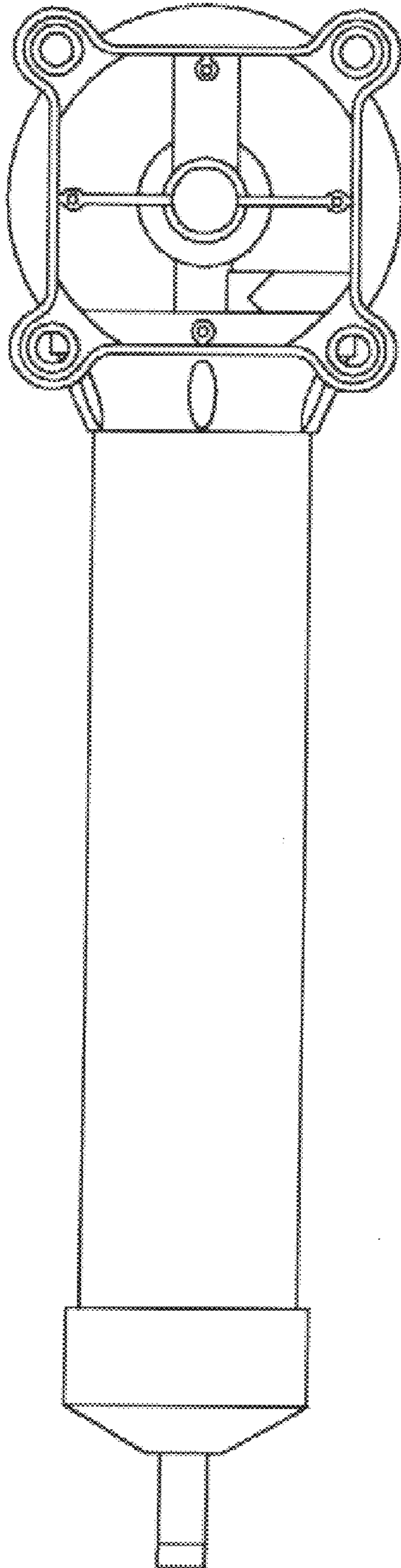


FIG. 5

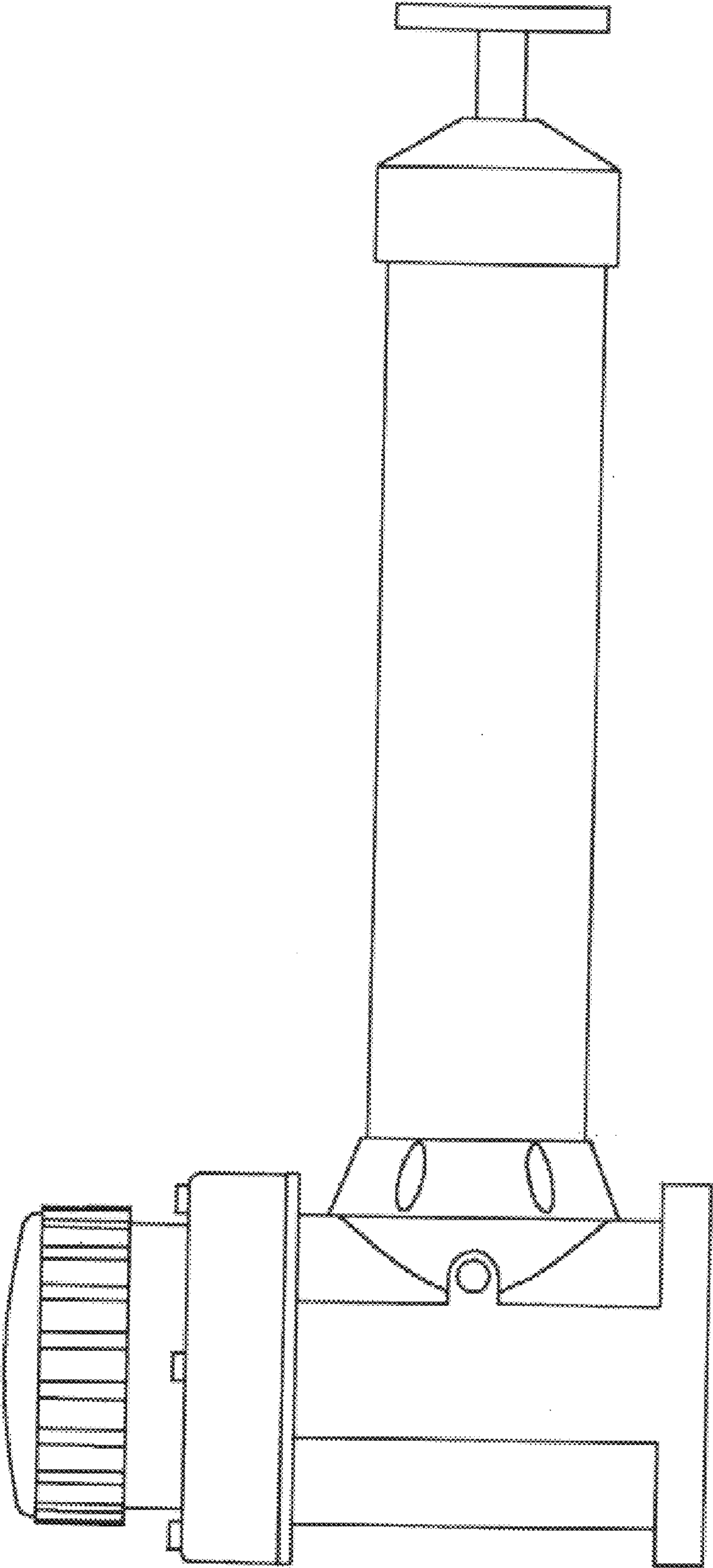


FIG. 6

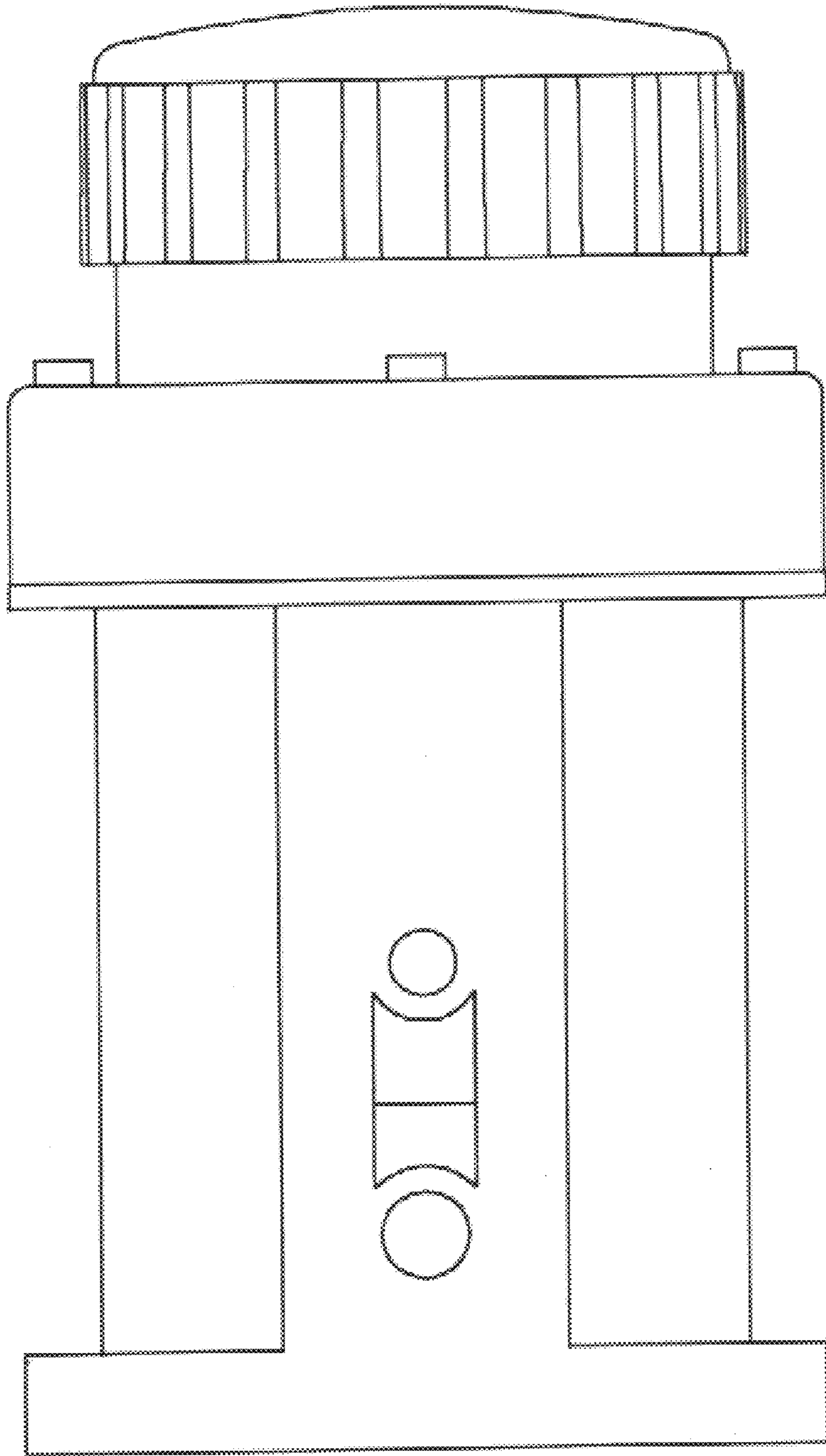


FIG. 7