



US00D625160S

(12) **United States Design Patent**
Misaki

(10) **Patent No.:** **US D625,160 S**
(45) **Date of Patent:** **** Oct. 12, 2010**

(54) **TRIMMER**

2002/0184868 A1* 12/2002 Moore 56/12.7

(75) Inventor: **Shingo Misaki**, Anjo (JP)

FOREIGN PATENT DOCUMENTS

(73) Assignee: **Makita Corporation**, Anjo-shi (JP)

JP S-1059219 10/1999
JP S-1084822 7/2000

(**) Term: **14 Years**

* cited by examiner

(21) Appl. No.: **29/355,248**

Primary Examiner—Holly H Baynham

Assistant Examiner—Sheryl Lane

(22) Filed: **Feb. 4, 2010**

(74) *Attorney, Agent, or Firm*—Oliff & Berridge, PLC

(51) **LOC (9) Cl.** **08-01**

(57) **CLAIM**

(52) **U.S. Cl.** **D8/8**

The ornamental design for a trimmer, as shown and described.

(58) **Field of Classification Search** D8/8,
D8/7; 30/276, 347; 56/12.7

DESCRIPTION

See application file for complete search history.

FIG. 1 is a perspective view of top, front and left side of a trimmer showing my new design;

(56) **References Cited**

U.S. PATENT DOCUMENTS

FIG. 2 is a front view thereof;

D355,818 S	2/1995	Nakadachi	
D446,699 S	* 8/2001	Marshall et al.	D8/8
D578,842 S	* 10/2008	Houghton	D8/8
D580,237 S	* 11/2008	Bradford	D8/8
D582,224 S	* 12/2008	Bochmann et al.	D8/8
D600,516 S	* 9/2009	Tinius	D8/8
D600,517 S	* 9/2009	Tinius	D8/8
D604,127 S	* 11/2009	Houghton	D8/8
D605,910 S	* 12/2009	Tinius	D8/8

FIG. 3 is a rear view thereof;

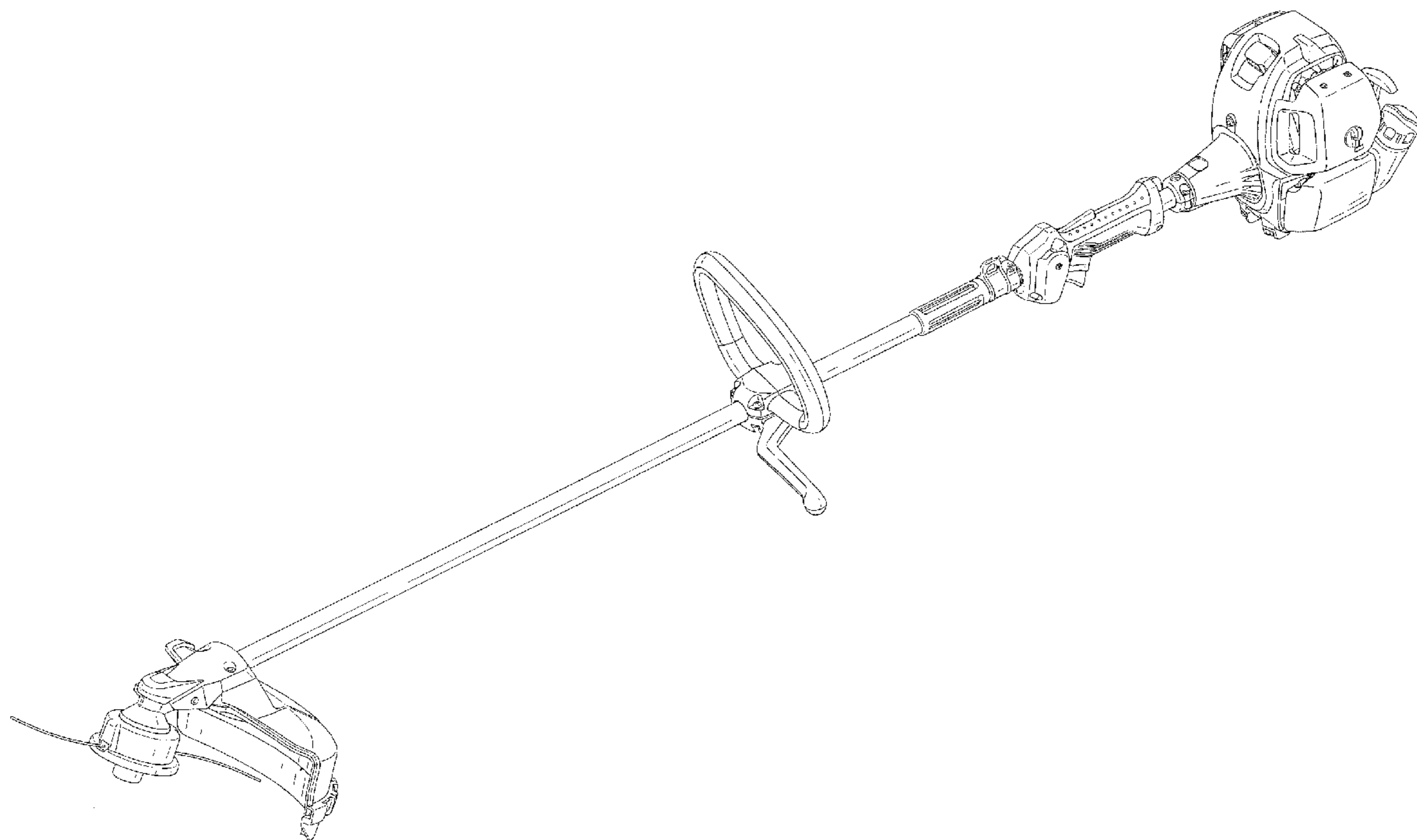
FIG. 4 is a top plan view thereof;

FIG. 5 is a bottom view thereof;

FIG. 6 is a left side view thereof; and,

FIG. 7 is a right side view thereof.

1 Claim, 4 Drawing Sheets



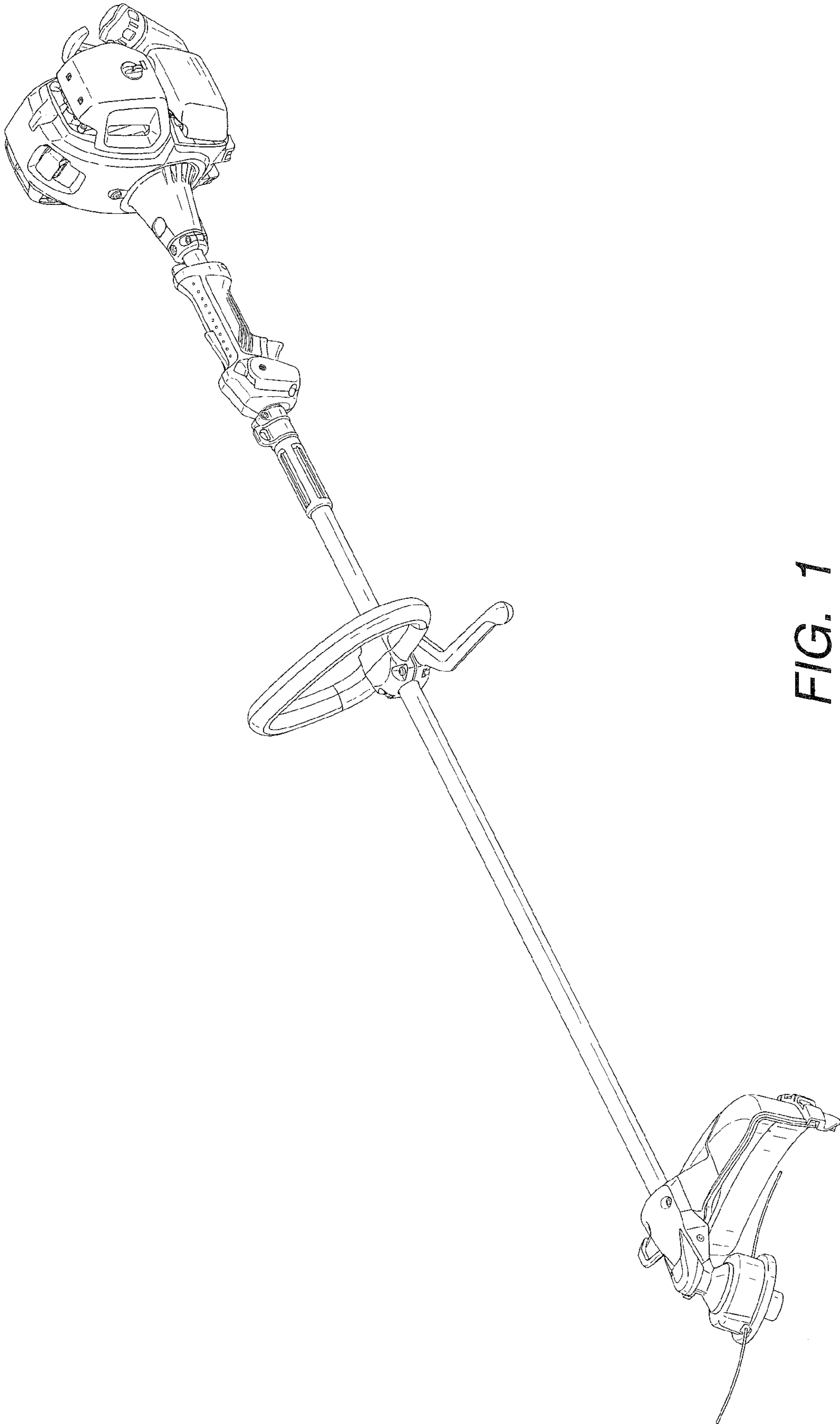


FIG. 1

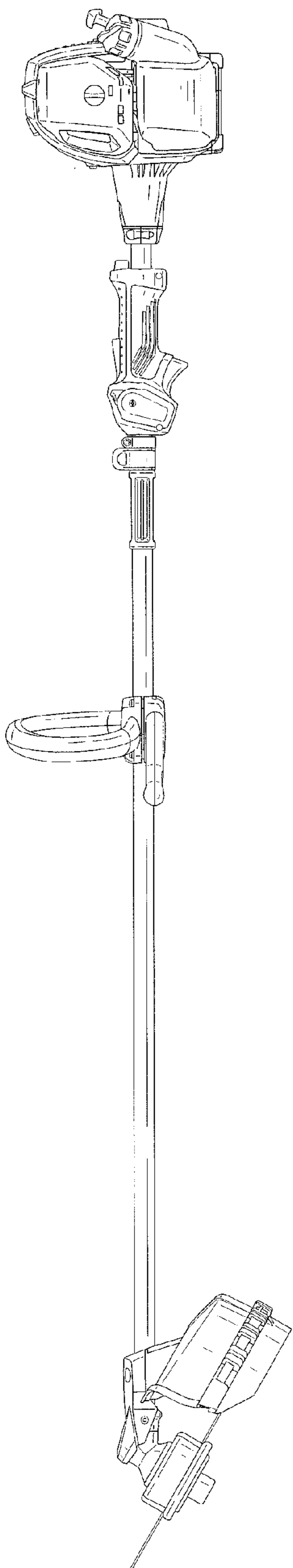


FIG. 2

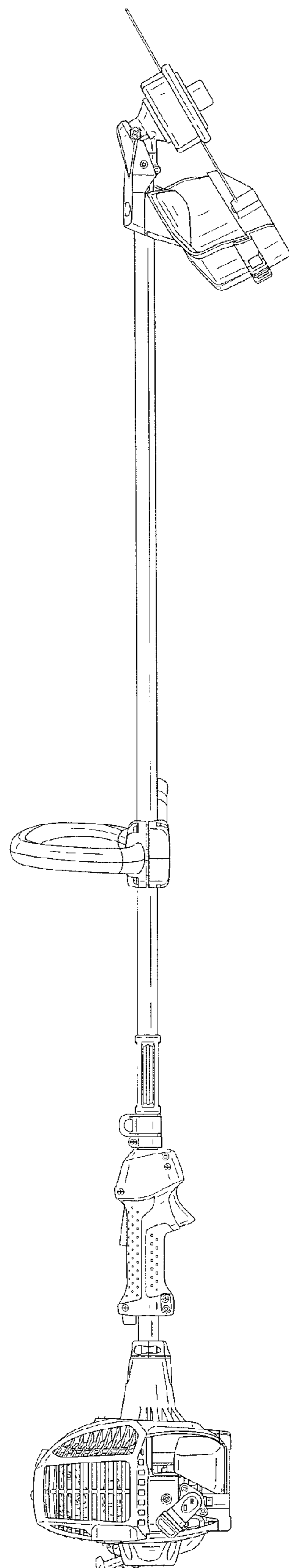


FIG. 3

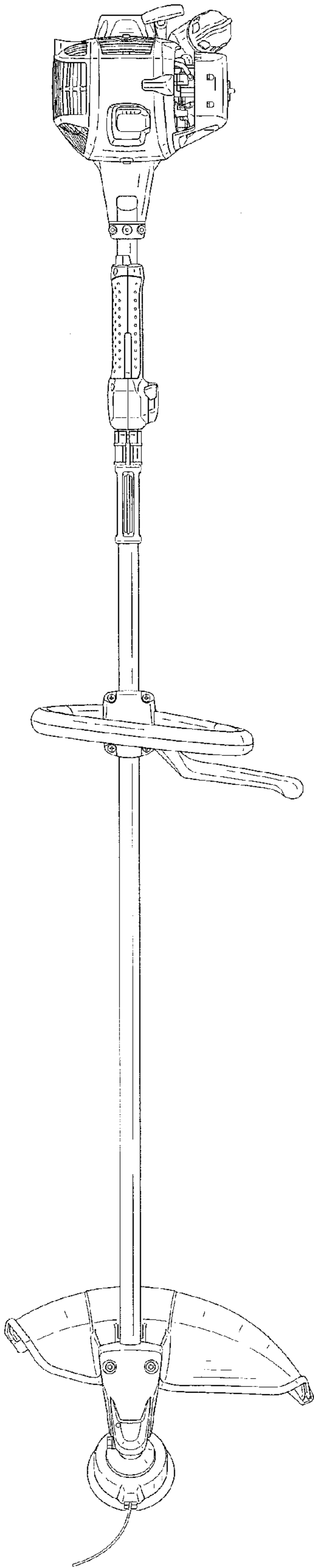


FIG. 4

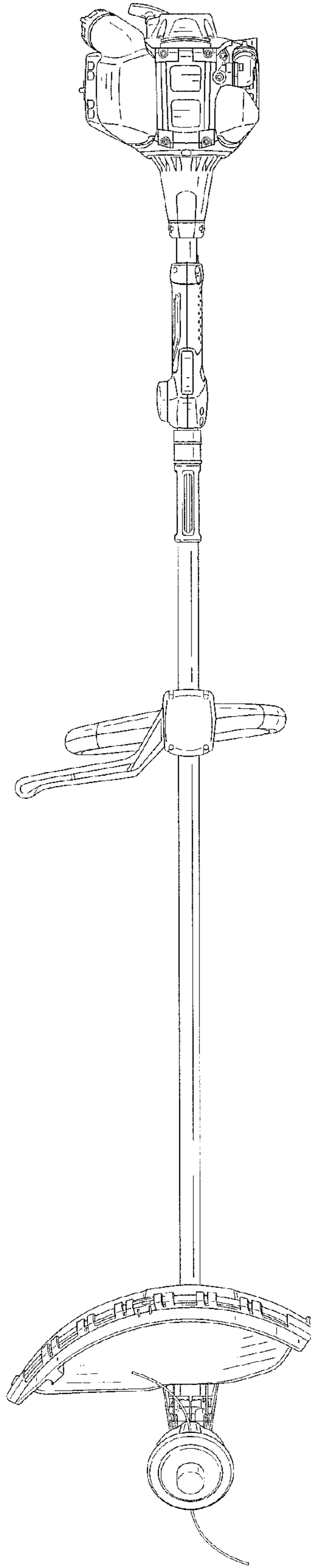


FIG. 5

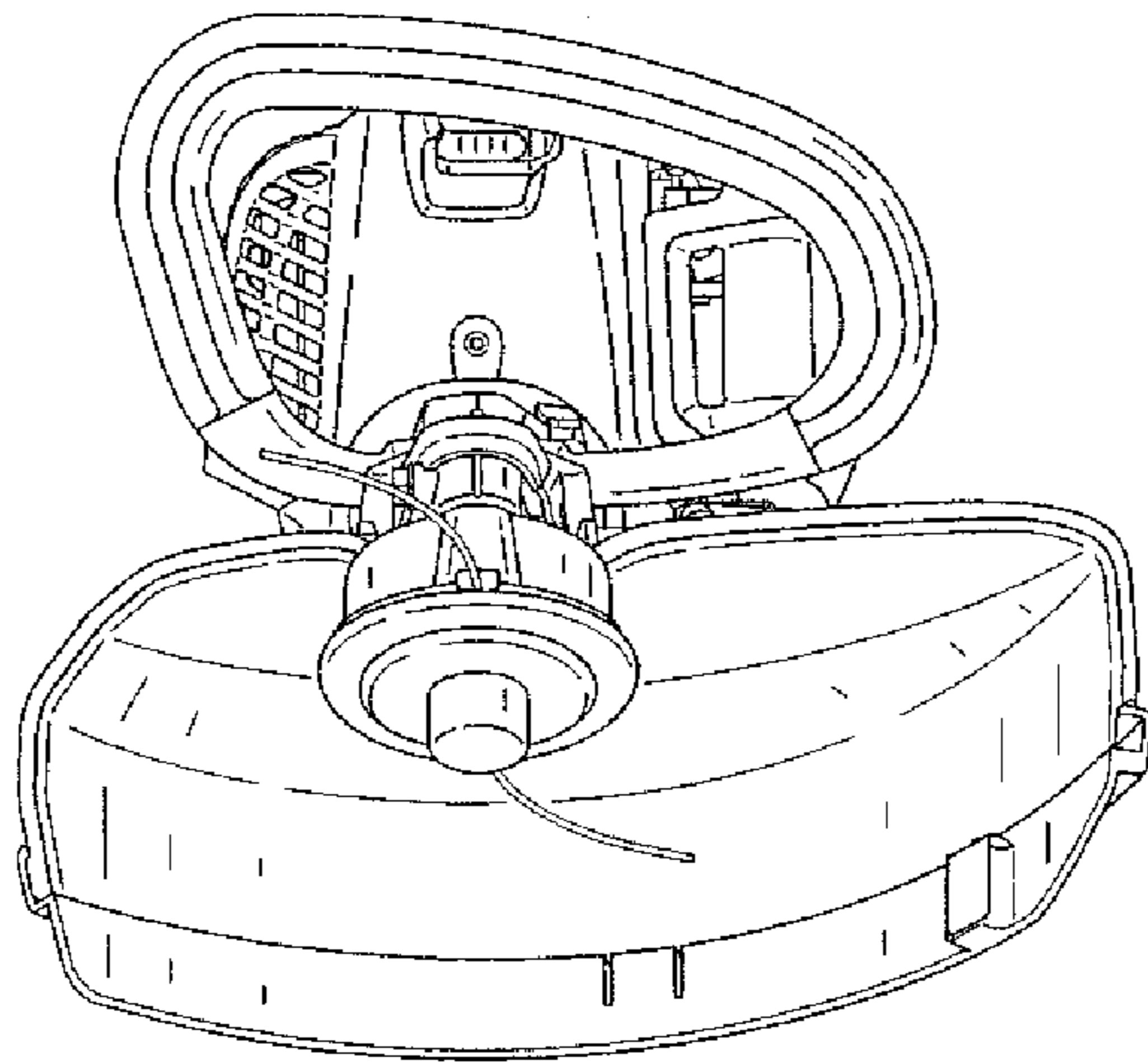


FIG. 6

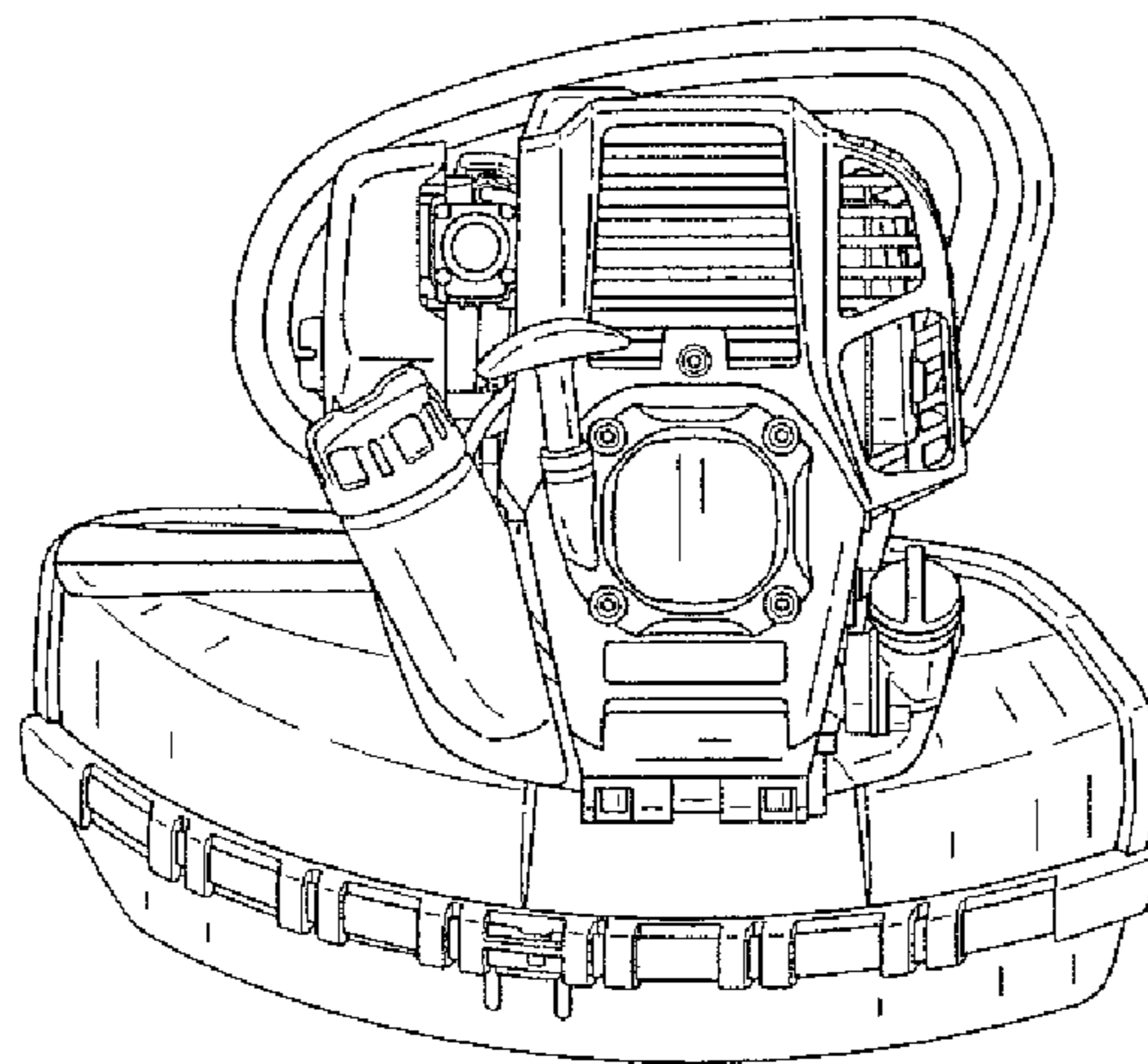


FIG. 7