



US00D625152S

(12) **United States Design Patent**  
**De Buyer et al.**

(10) **Patent No.:** **US D625,152 S**  
(45) **Date of Patent:** **\*\* Oct. 12, 2010**

(54) **HOLDER FOR JULIENNE BLADES OF A FOOD SLICER**

D535,162 S 1/2007 De Buyer

\* cited by examiner

(75) Inventors: **Julien De Buyer**, Barcelona (ES);  
**Jean-Noël Mathieu**, Vagney (FR)

*Primary Examiner*—Terry A Wallace  
(74) *Attorney, Agent, or Firm*—Galgano & Associates, PLLC; Thomas M. Galgano; Jessica G. Bower

(73) Assignee: **De Buyer Industries**, Le Val d'Ajol (FR)

(57) **CLAIM**

(\*\*) Term: **14 Years**

The ornamental design for a holder for julienne blades of a food slicer, as shown and described.

(21) Appl. No.: **29/340,645**

(22) Filed: **Jul. 22, 2009**

**DESCRIPTION**

(30) **Foreign Application Priority Data**

Jan. 22, 2009	(EM)	.....	001074116-0001
Jan. 22, 2009	(EM)	.....	001074116-0002
Jan. 22, 2009	(EM)	.....	001074116-0003
Jan. 22, 2009	(EM)	.....	001074116-0007

FIG. 1 is a top, left side and front perspective view of the holder for julienne blades of a food slicer with the cover in a closed position, showing our new design;

FIG. 2 is a rear elevational view thereof;

FIG. 3 is a front elevational view thereof;

FIG. 4 is a left side elevational view thereof, the right side elevational view being a mirror image thereof;

FIG. 5 is a bottom plan view thereof;

FIG. 6 is a top plan view thereof;

FIG. 7 is a front, left side and top perspective view of the holder for julienne blades of a food slicer with the cover in an open position; and,

FIG. 8 is a front, left side and top perspective view of the holder for julienne blades of a food slicer with the cover in an open position and showing the julienne blades in phantom within the holder.

(51) **LOC (9) Cl.** ..... **07-99**

(52) **U.S. Cl.** ..... **D7/637**

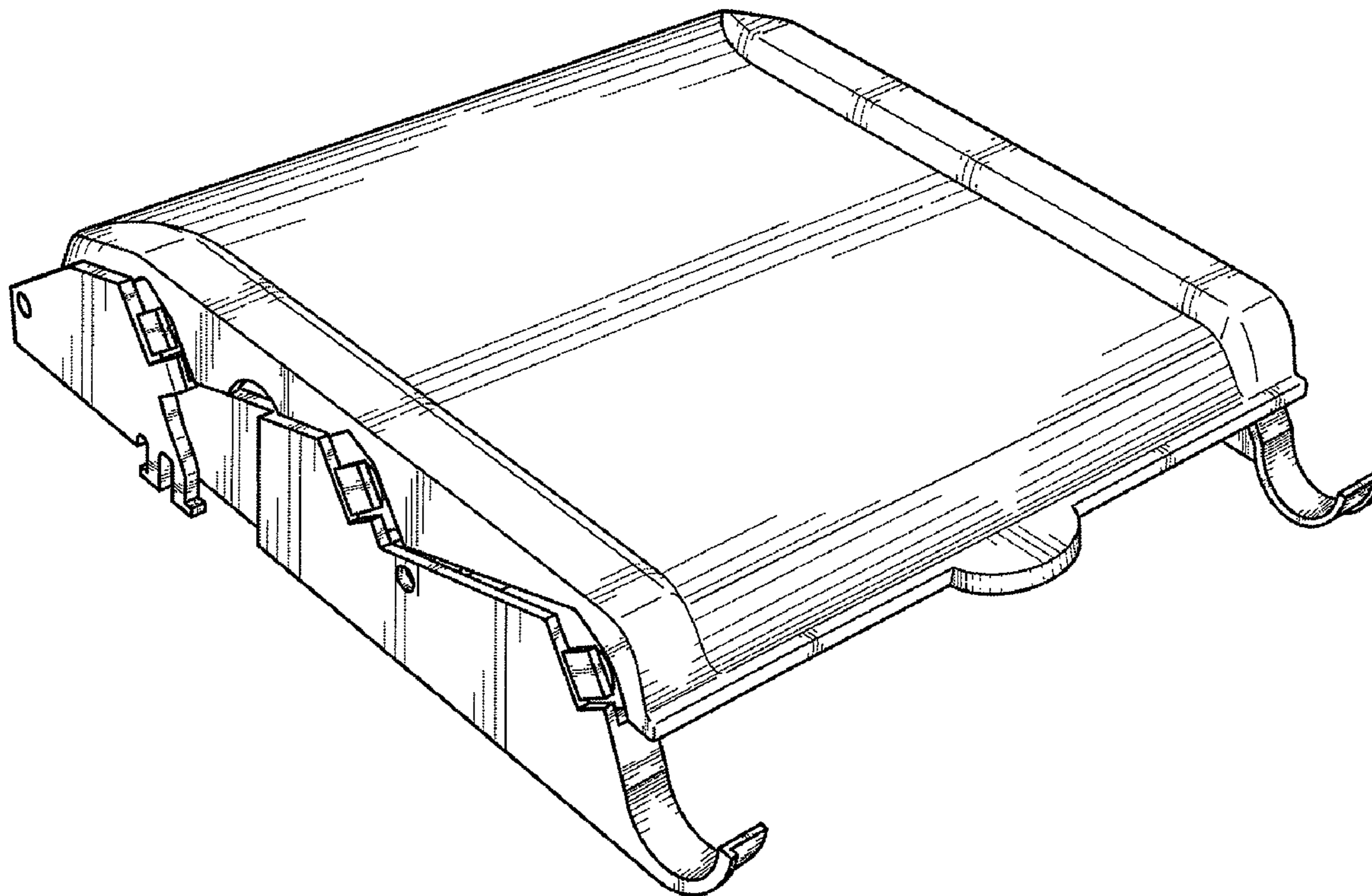
(58) **Field of Classification Search** ..... D7/637-641,  
D7/601; 211/70.6, 70.7, 40; 248/37.3  
See application file for complete search history.

(56) **References Cited**

**U.S. PATENT DOCUMENTS**

4,557,389 A *	12/1985	Williams et al.	.....	211/70.6
D387,952 S *	12/1997	Schneider	.....	D7/637
D534,041 S	12/2006	De Buyer		

**1 Claim, 5 Drawing Sheets**



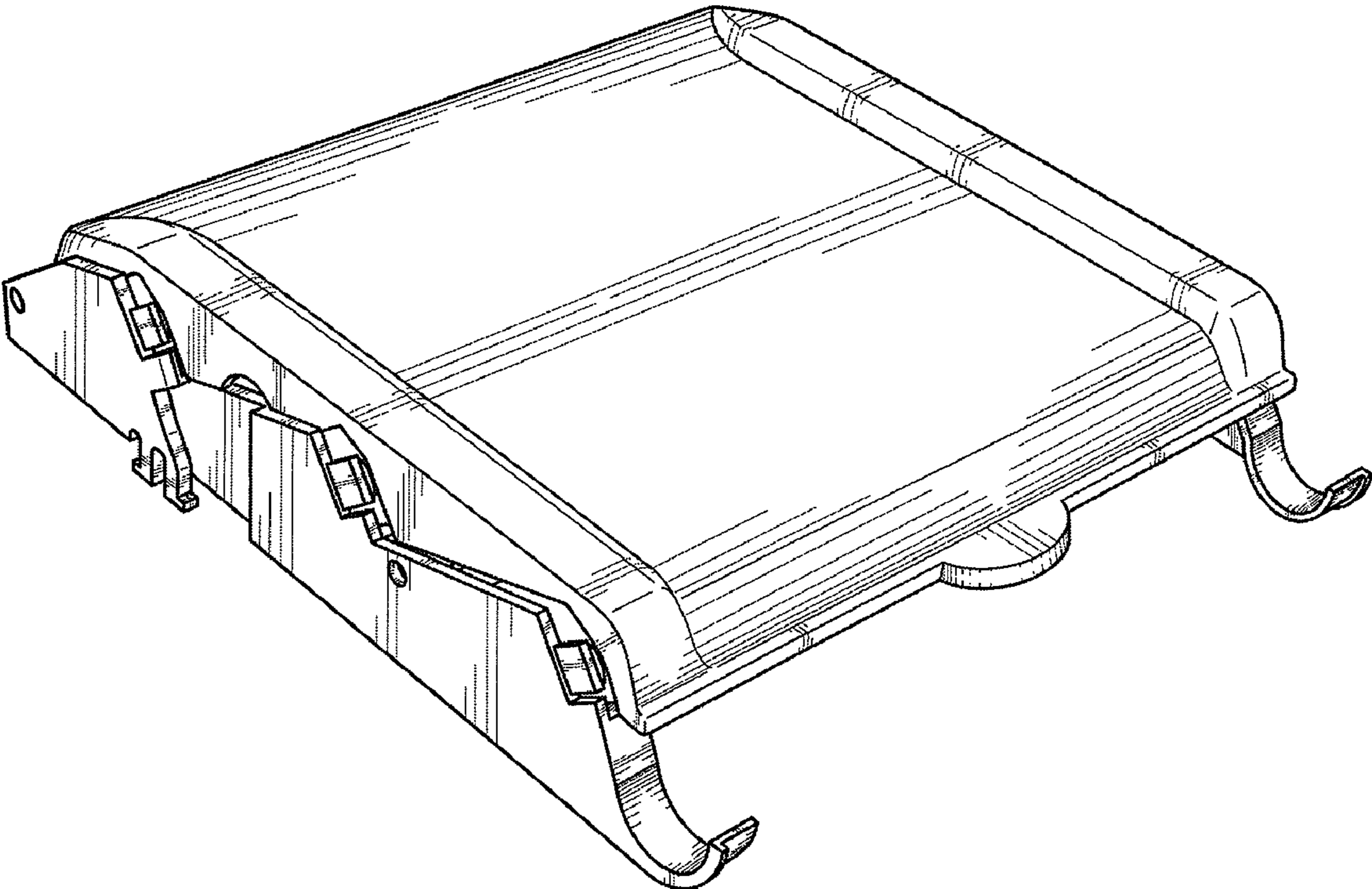


FIG. 1

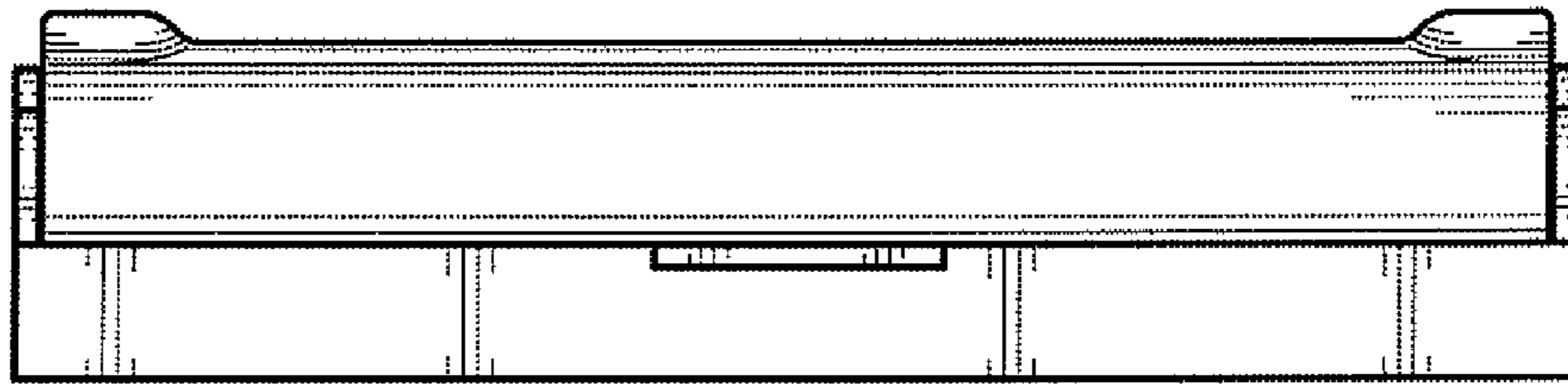


FIG. 2

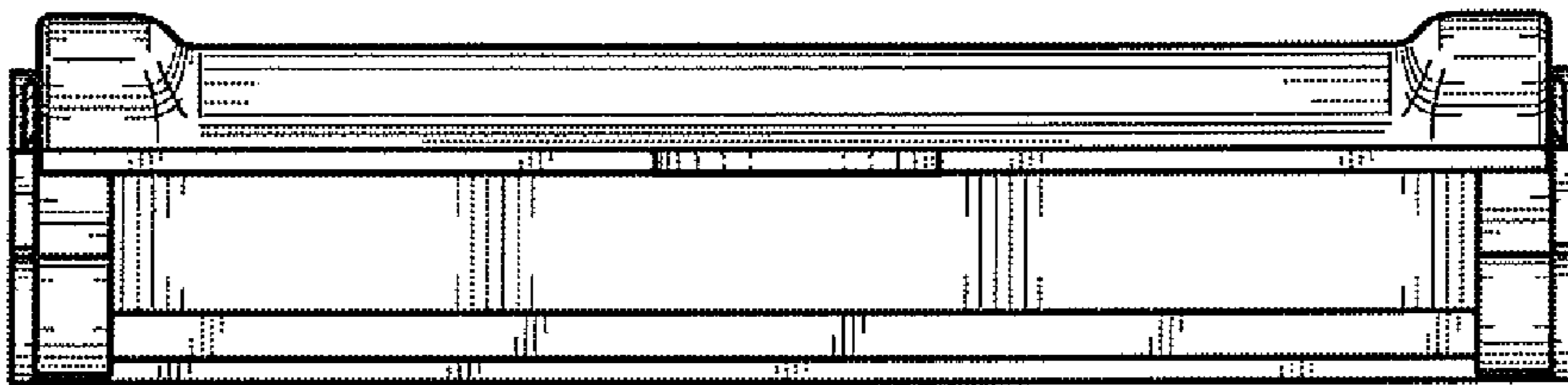


FIG. 3

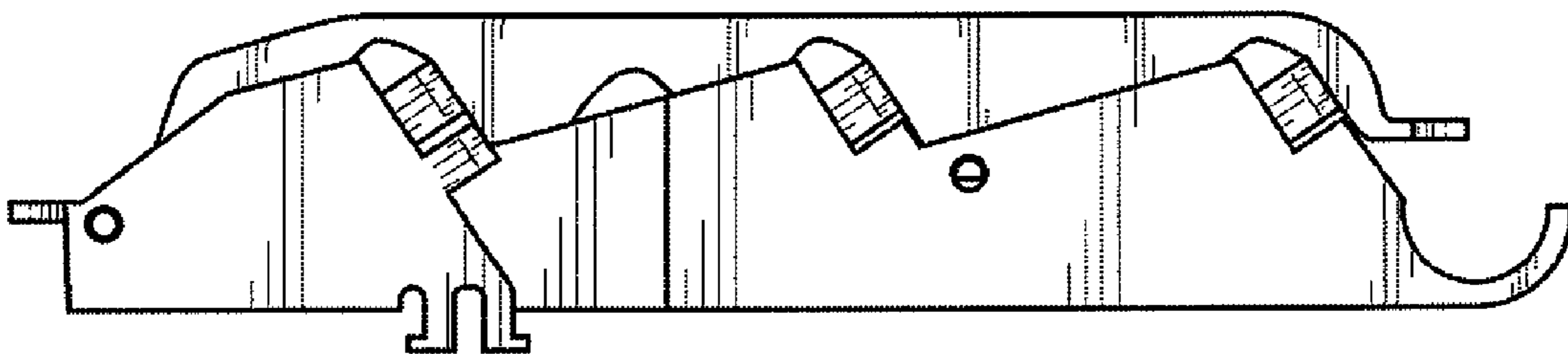


FIG. 4

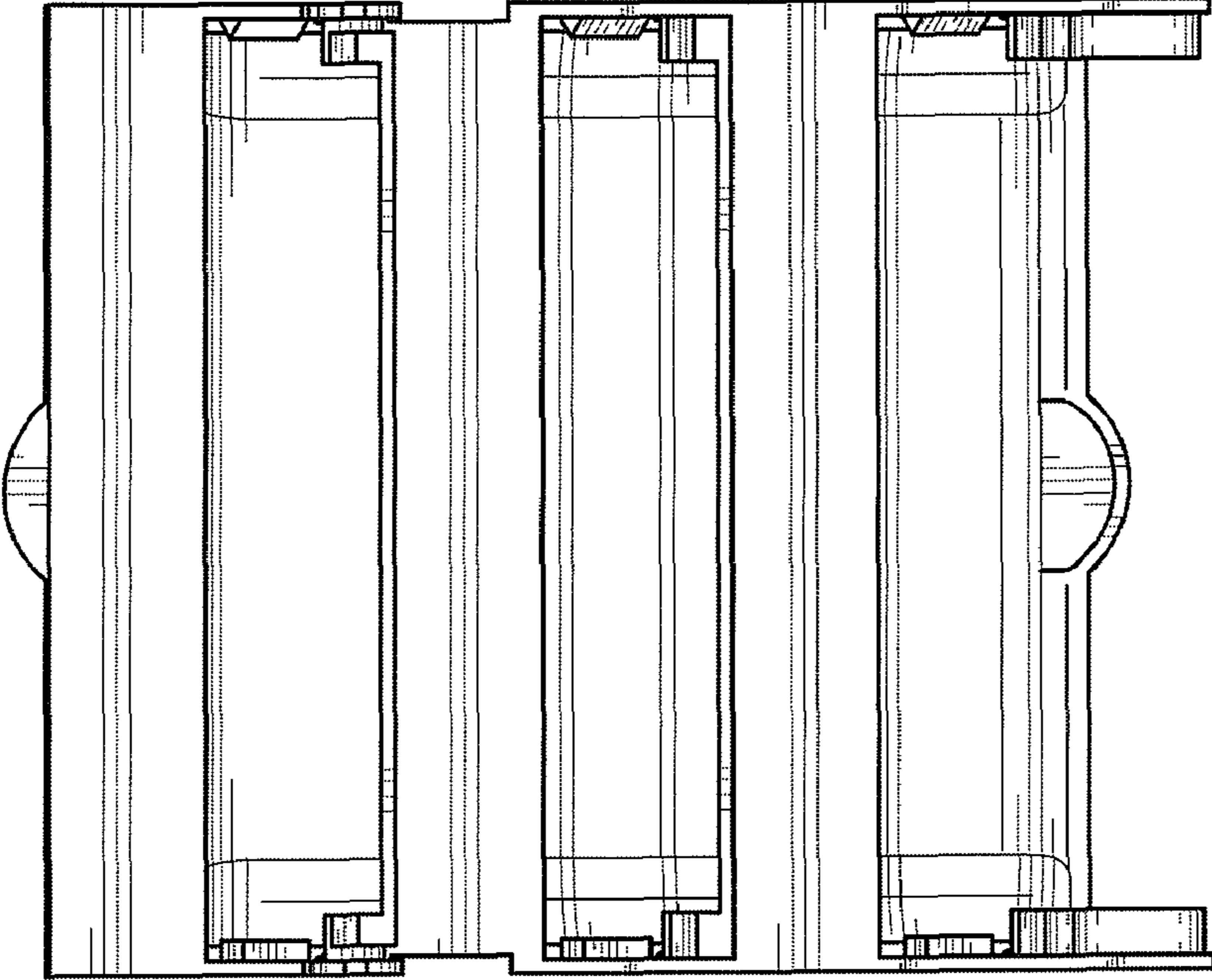


FIG. 5

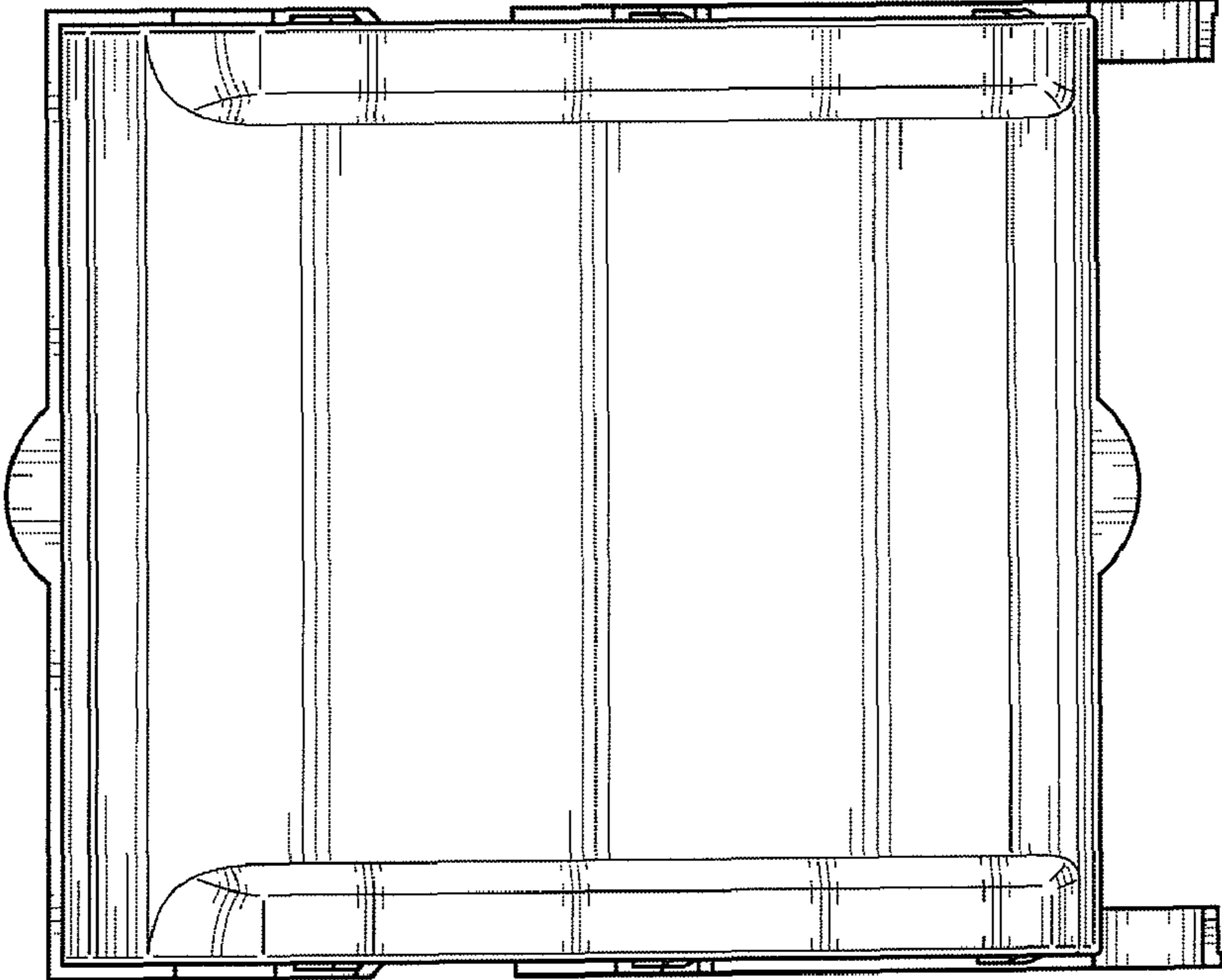


FIG. 6

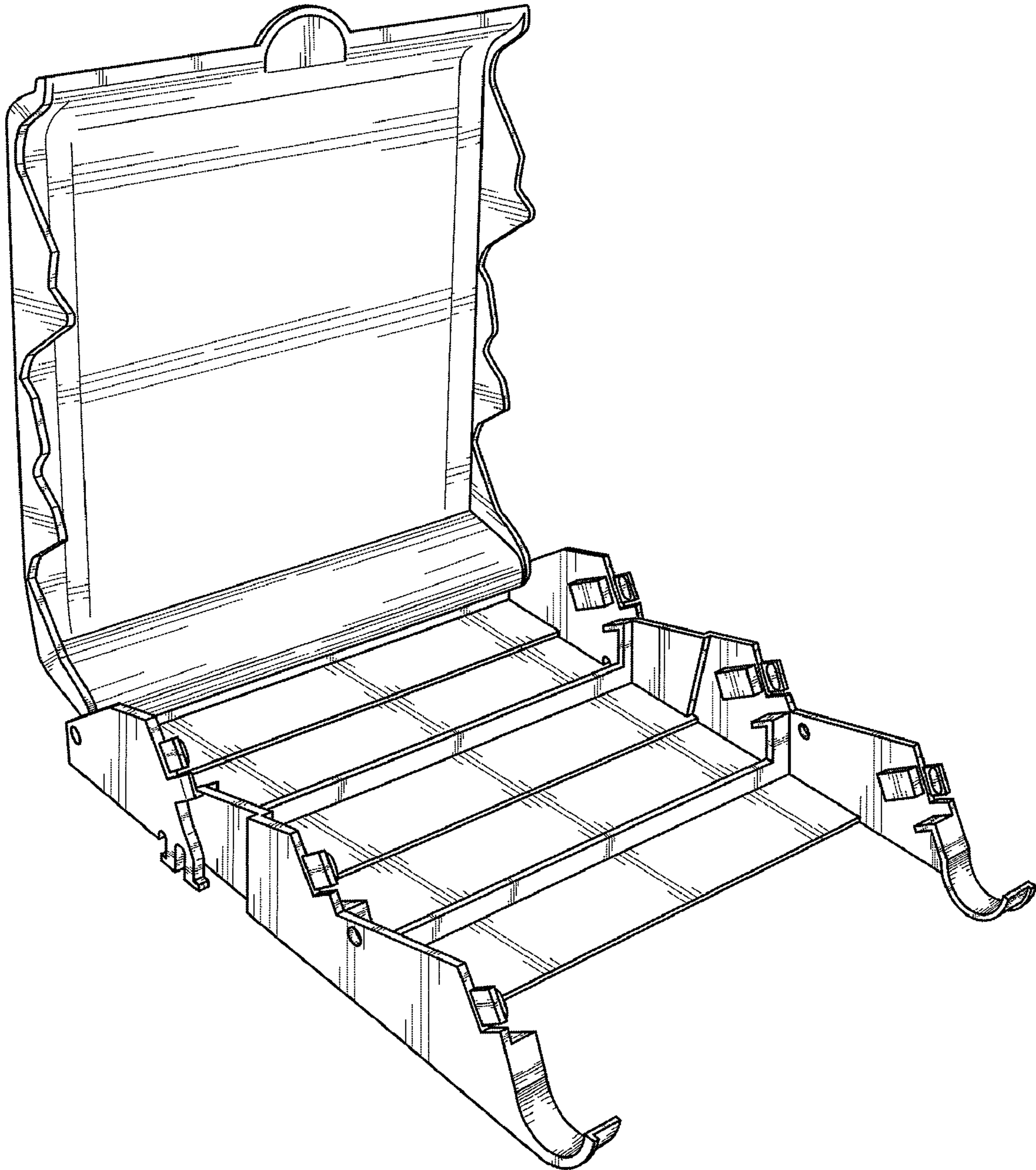


FIG. 7

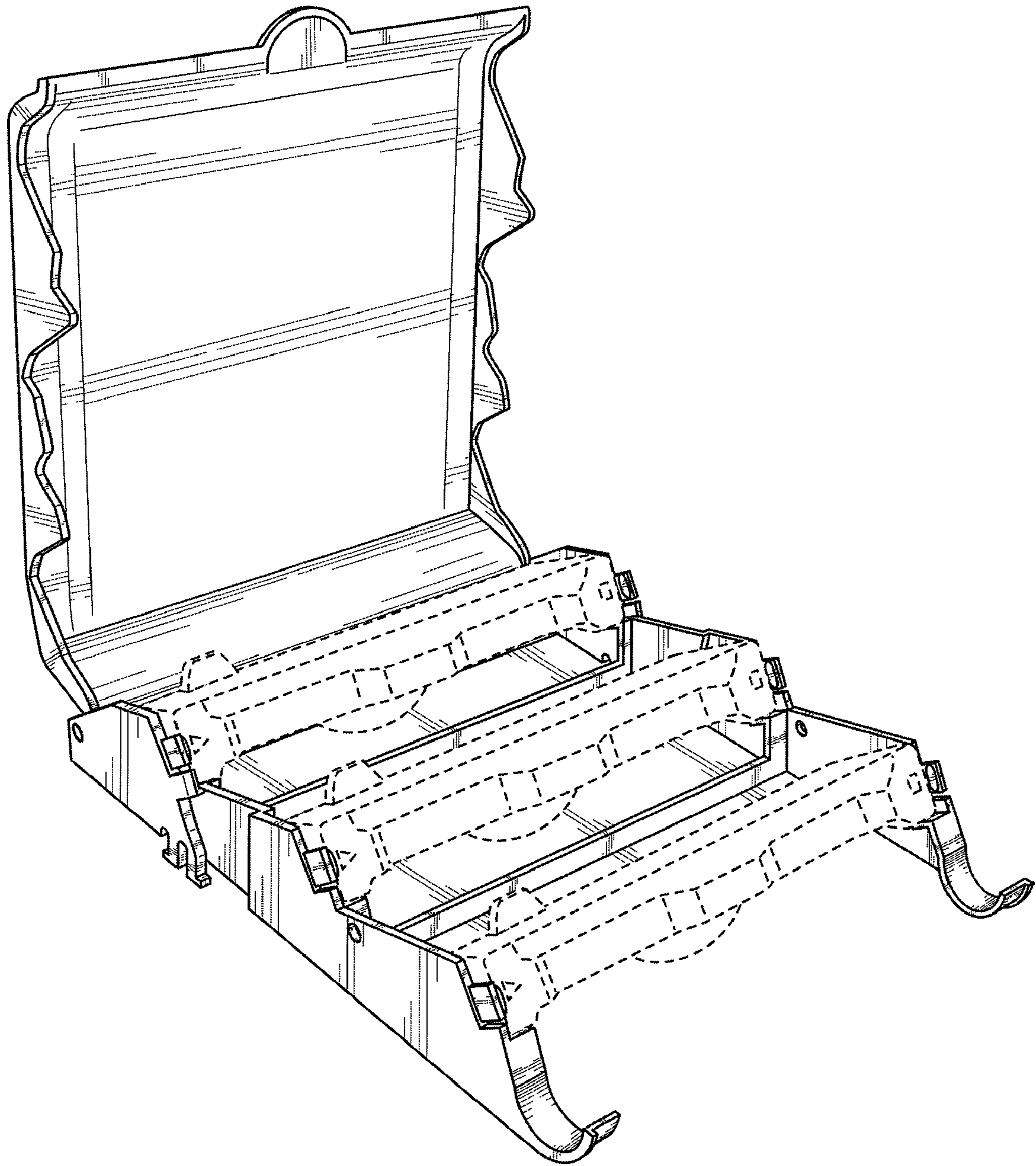


FIG. 8