

US00D625145S

(12) **United States Design Patent**  
**King et al.**

(10) **Patent No.:** **US D625,145 S**

(45) **Date of Patent:** **\*\* Oct. 12, 2010**

(54) **TRIVET**

(75) Inventors: **Scott King**, New South Wales (AU);  
**Lyndon Craig**, New South Wales (AU);  
**Lars Erikson**, Stockholm (SE); **Carlo Rossi**, South Australia (AU); **Stephen Wise**, South Australia (AU)

(73) Assignees: **Electrolux Home Products Pty Limited** (AU); **Aktiebolaget Electrolux** (SE)

(\*\*) Term: **14 Years**

(21) Appl. No.: **29/325,661**

(22) Filed: **Oct. 3, 2008**

(30) **Foreign Application Priority Data**

Apr. 4, 2008 (AU) ..... 11618/2008

(51) **LOC (9) Cl.** ..... **31-00**

(52) **U.S. Cl.** ..... **D7/388; D7/408**

(58) **Field of Classification Search** ..... D6/403;  
D7/403, 409, 624.1, 501, 388, 389, 408, 387  
See application file for complete search history.

(56) **References Cited**

**U.S. PATENT DOCUMENTS**

2,584,295 A \* 2/1952 Sanzenbacher ..... 99/419  
D175,241 S \* 8/1955 Andrus et al. .... D7/388  
D238,409 S \* 1/1976 Kielrn et al. .... D7/388  
3,967,803 A \* 7/1976 Kienlen et al. .... 248/152  
4,725,028 A \* 2/1988 Conradt ..... 248/150

D299,088 S \* 12/1988 Monza ..... D6/403  
D427,845 S \* 7/2000 Ferguson et al. .... D7/388  
6,776,382 B1 \* 8/2004 Papadopoulos et al. 248/346.07  
D499,302 S \* 12/2004 Liu ..... D7/408  
D506,353 S \* 6/2005 Heiberg et al. .... D7/388  
D544,748 S \* 6/2007 Johansson ..... D7/388  
D580,217 S \* 11/2008 Goodman et al. .... D7/388  
D604,559 S \* 11/2009 Woodruff ..... D7/408

**OTHER PUBLICATIONS**

One color picture of SMEG Trivet, Eurocucina trade fair; Date Apr. 4, 2006.

\* cited by examiner

*Primary Examiner*—Robert M Spear

*Assistant Examiner*—Cynthia Underwood

(74) *Attorney, Agent, or Firm*—Banner & Witcoff, Ltd.

(57) **CLAIM**

The ornamental design for a trivet, as shown and described.

**DESCRIPTION**

FIG. 1 is a perspective view of a trivet showing our new design;

FIG. 2 is a top plan view thereof;

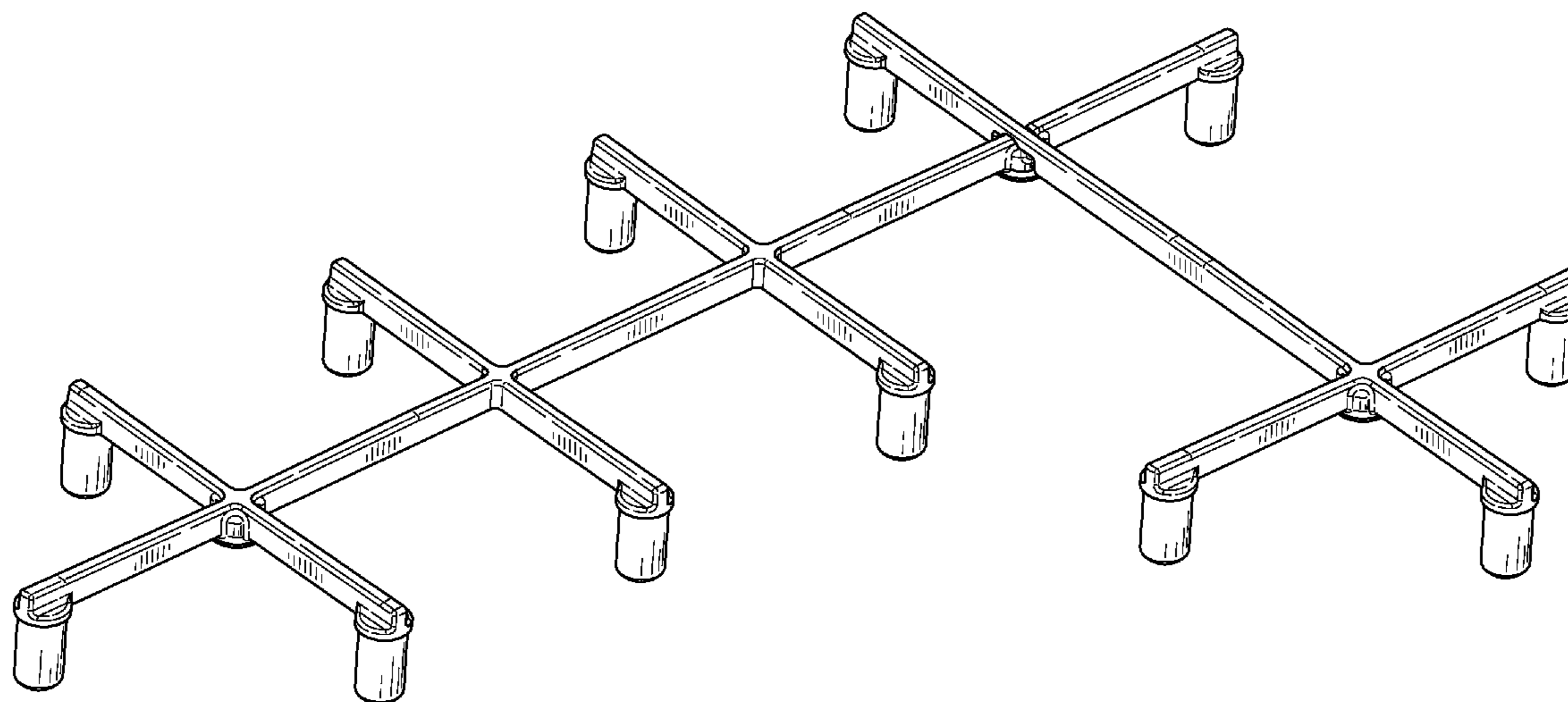
FIG. 3 is a bottom view thereof;

FIG. 4 is a left side view thereof;

FIG. 5 is a right side view thereof; and,

FIG. 6 is a front view thereof.

**1 Claim, 6 Drawing Sheets**



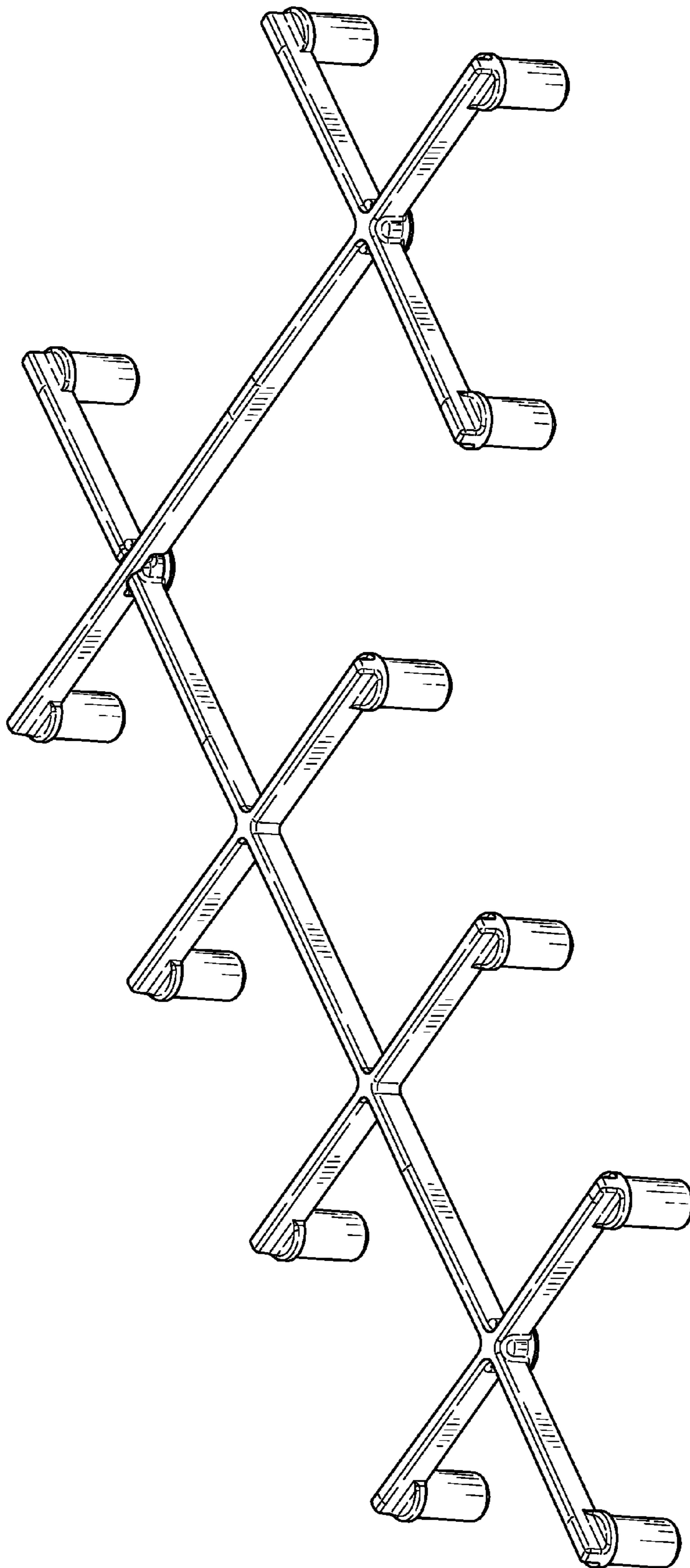


FIG. 1

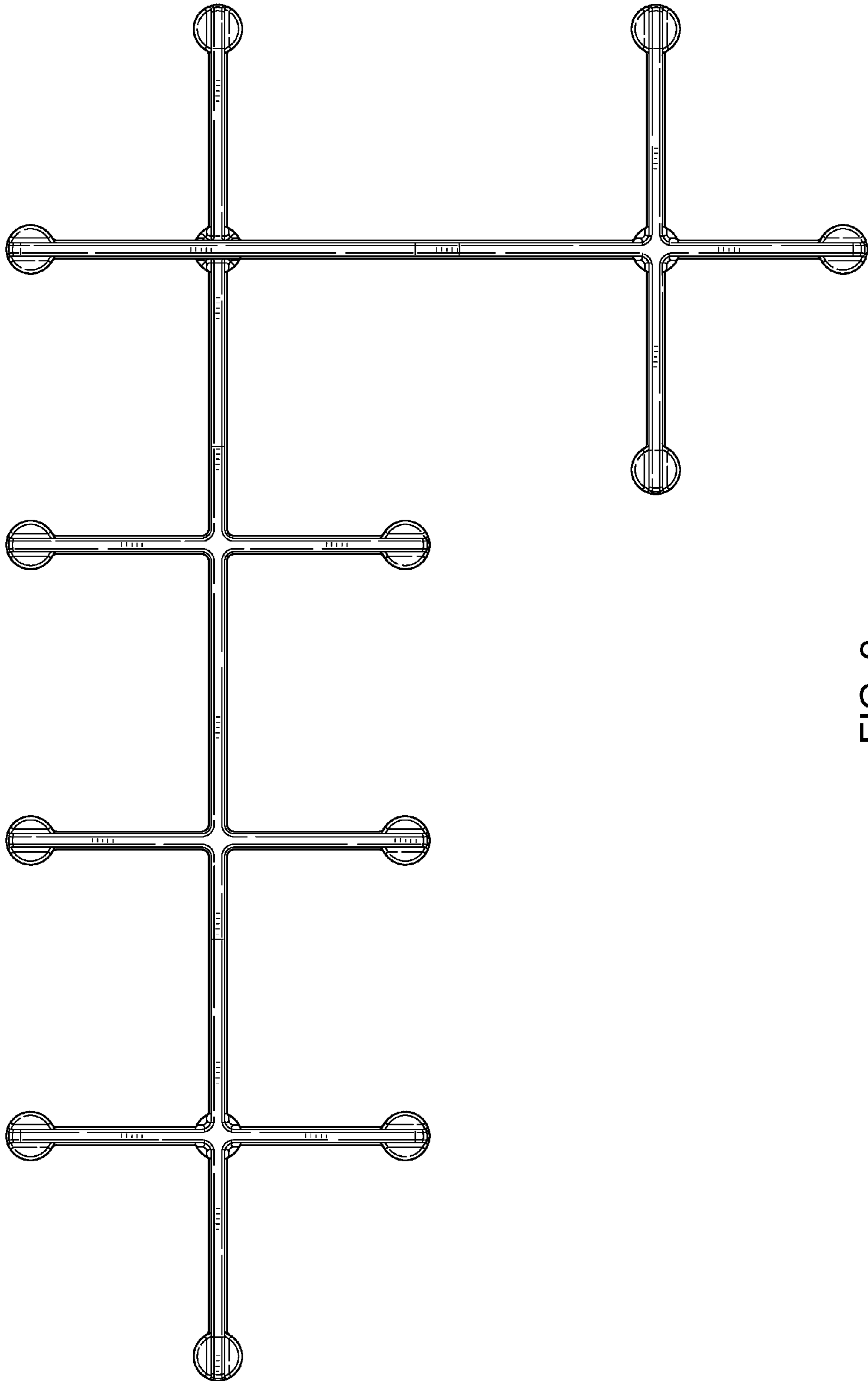


FIG. 2

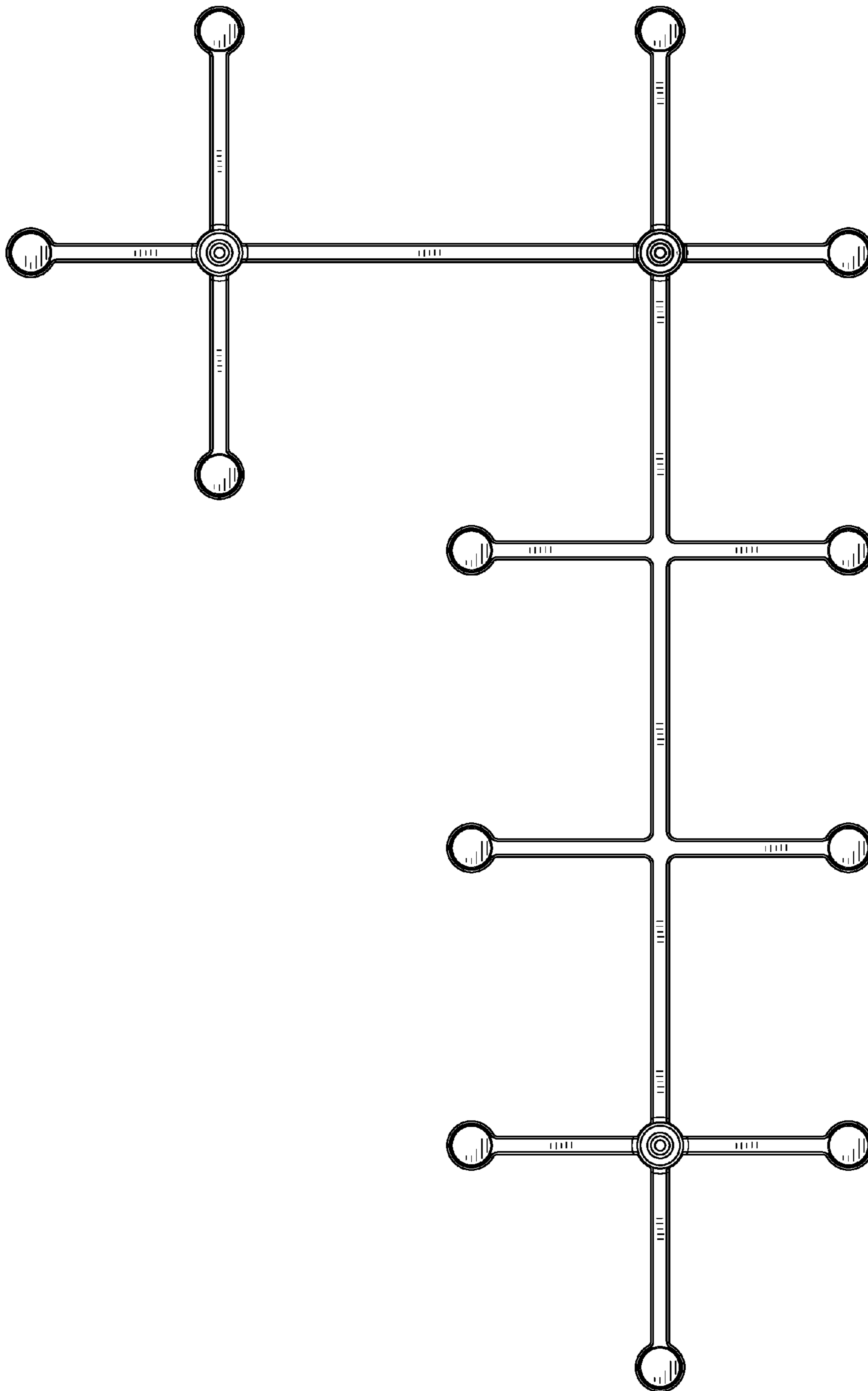


FIG. 3

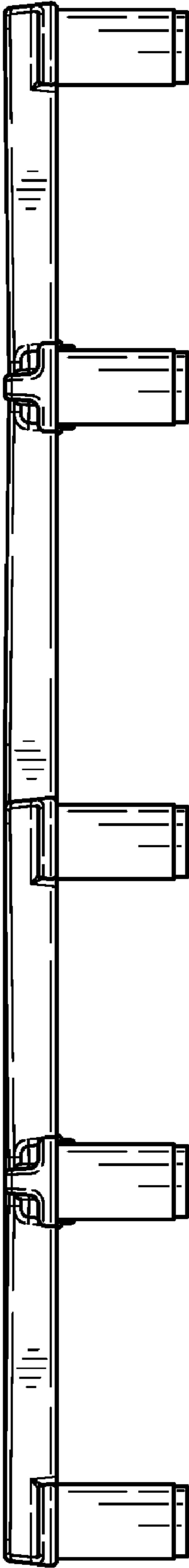


FIG. 4

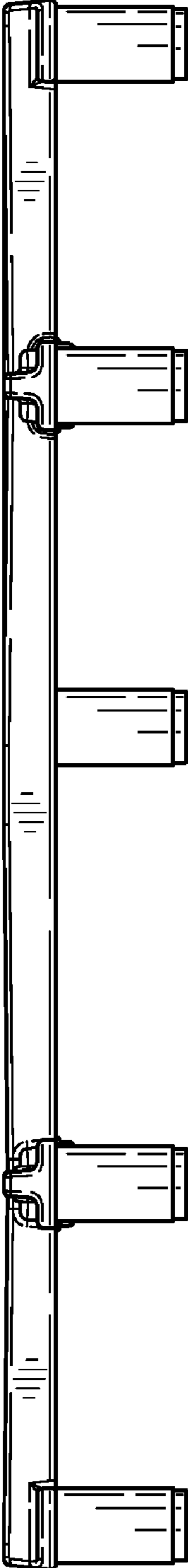


FIG. 5



FIG. 6