



US00D625144S

(12) **United States Design Patent**
Moore et al.

(10) **Patent No.:** **US D625,144 S**
(45) **Date of Patent:** **** Oct. 12, 2010**

(54) **FOOD PROCESSOR**

(75) Inventors: **Devin Lee Moore**, Decatur, GA (US);
Jill Kreutzer Orent, Westport, CT (US);
Barbara Lynn Schnabel, Chappaqua,
NY (US); **Maria Caruso**, Stamford, CT
(US); **Charles Z Krasznai**, Bridgeport,
CT (US); **Chi Tong Chan**, Chaiwan
(HK)

(73) Assignee: **Conair Corporation**, Stamford, CT
(US)

(**) Term: **14 Years**

(21) Appl. No.: **29/354,165**

(22) Filed: **Jan. 20, 2010**

(51) **LOC (9) Cl.** **31-00**

(52) **U.S. Cl.** **D7/384; D7/376; D7/378**

(58) **Field of Classification Search** D7/305-311,
D7/317-318, 376-386, 412-415, 665; 99/348,
99/509-511; 241/30-37.5, 101.01-101.2,
241/166-169.1, 285.1-285.3, 291, 292.1;
366/64-67, 98, 142, 197-211, 241-254,
366/279-292, 341-347

See application file for complete search history.

(56) **References Cited**

U.S. PATENT DOCUMENTS

D466,363 S * 12/2002 Dalton et al. D7/384

D488,344 S * 4/2004 Seum et al. D7/384
D502,047 S * 2/2005 Ledingham et al. D7/384
D560,093 S * 1/2008 Verdun et al. D7/384
D580,216 S * 11/2008 Ryan D7/384
D587,064 S * 2/2009 Mark D7/384

* cited by examiner

Primary Examiner—Ricky Pham

(74) *Attorney, Agent, or Firm*—Lawrence Cruz

(57) **CLAIM**

The ornamental design for a food processor, as shown and described.

DESCRIPTION

FIG. 1 is a perspective view of a food processor showing a new design;

FIG. 2 is rear elevational view thereof;

FIG. 3 is a front elevational view thereof;

FIG. 4 is a left side elevational view thereof;

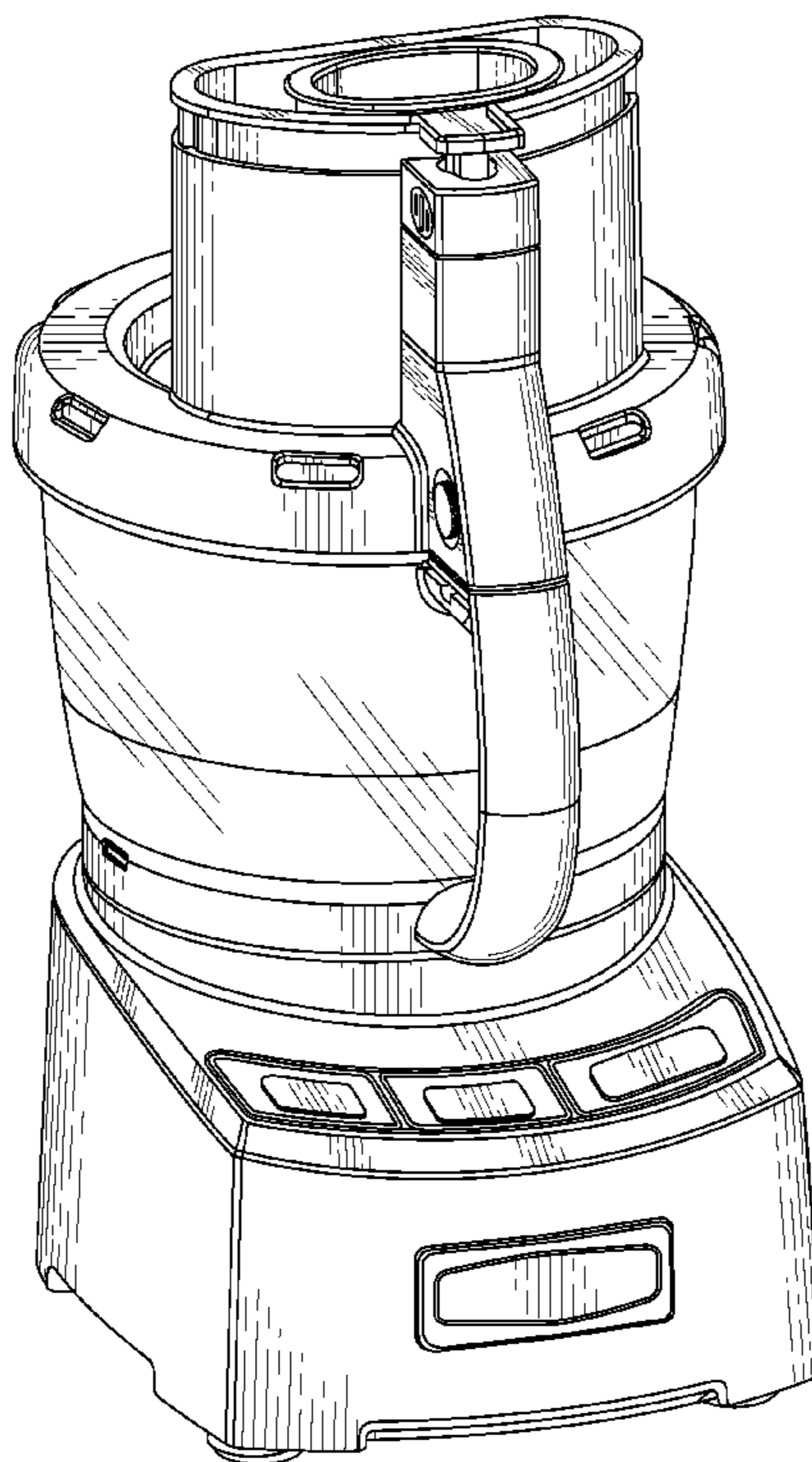
FIG. 5 is a right side elevational view thereof;

FIG. 6 is a top plan view thereof; and,

FIG. 7 is a bottom plan view thereof.

The broken lines are for illustrative purposes only and form no part of the claimed design.

1 Claim, 7 Drawing Sheets



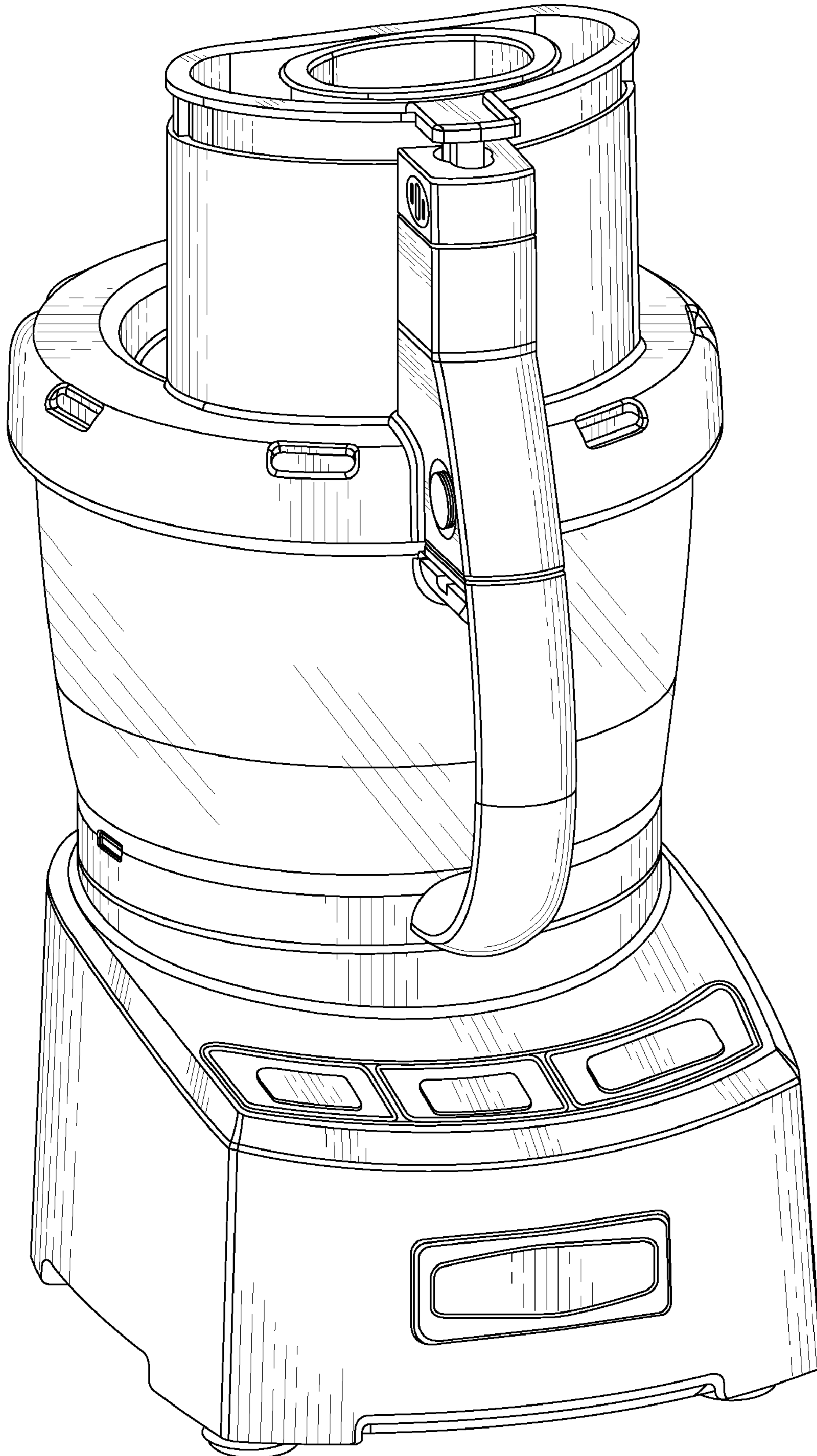


FIG. 1

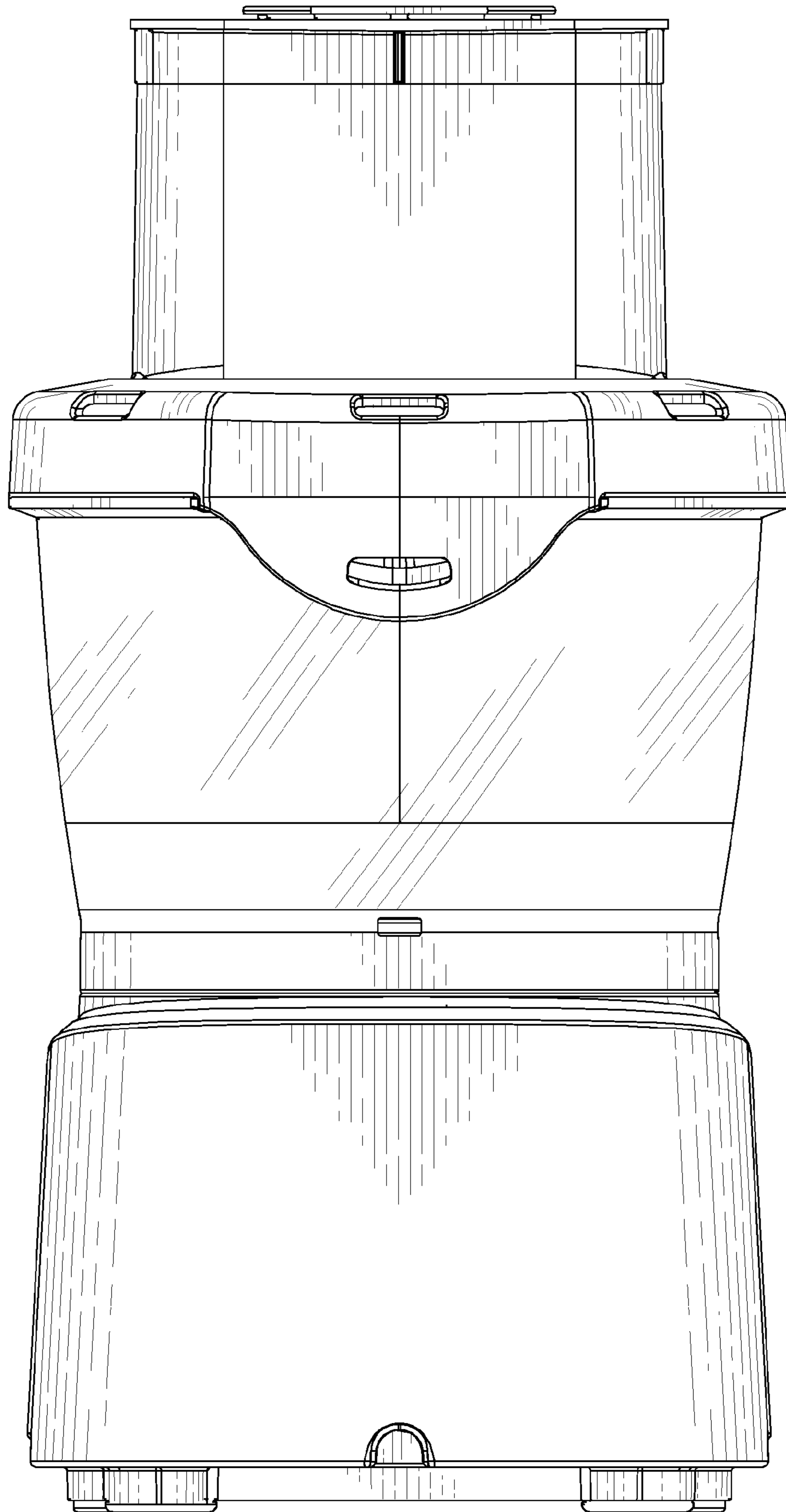


FIG. 2

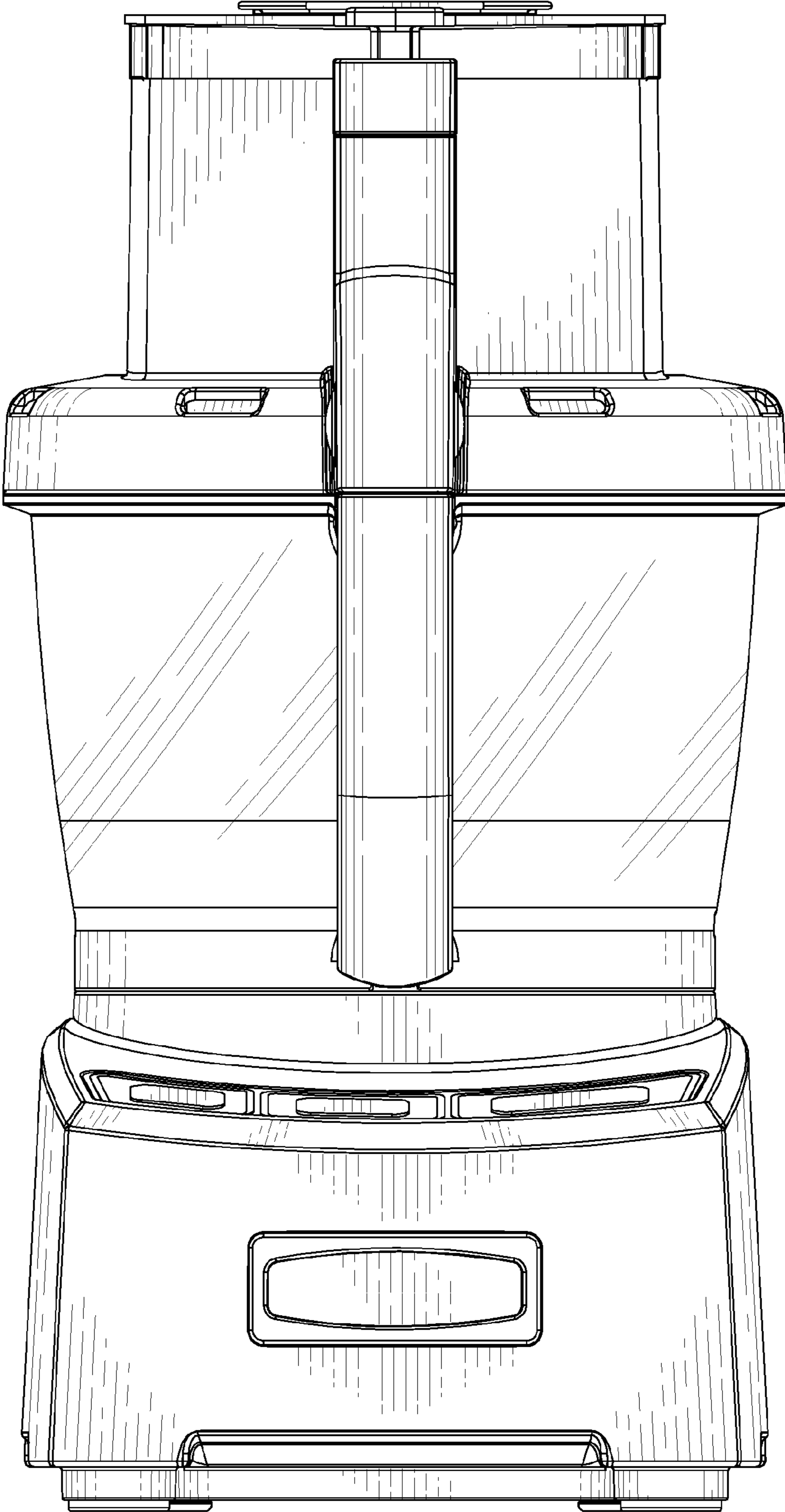


FIG. 3

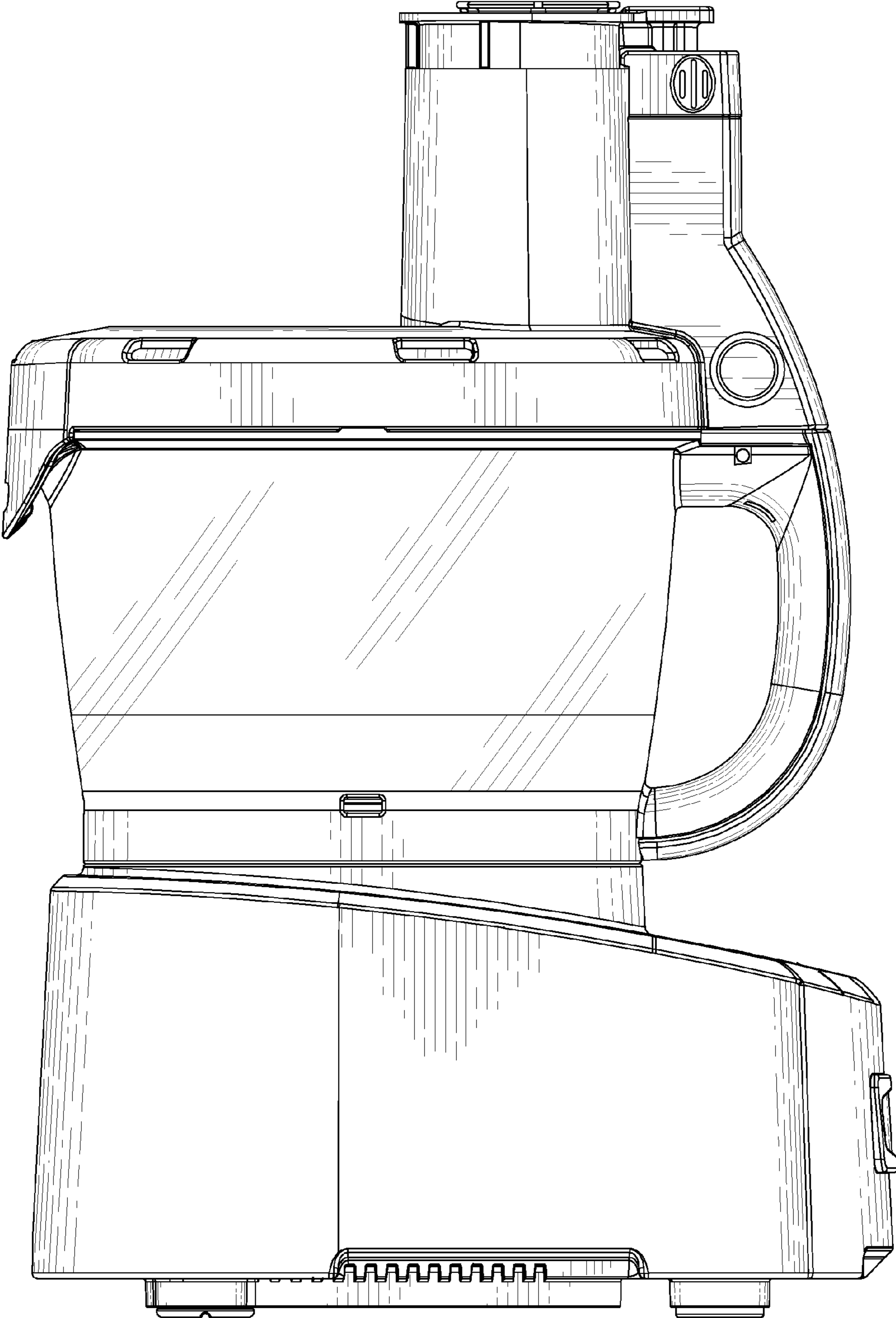


FIG. 4

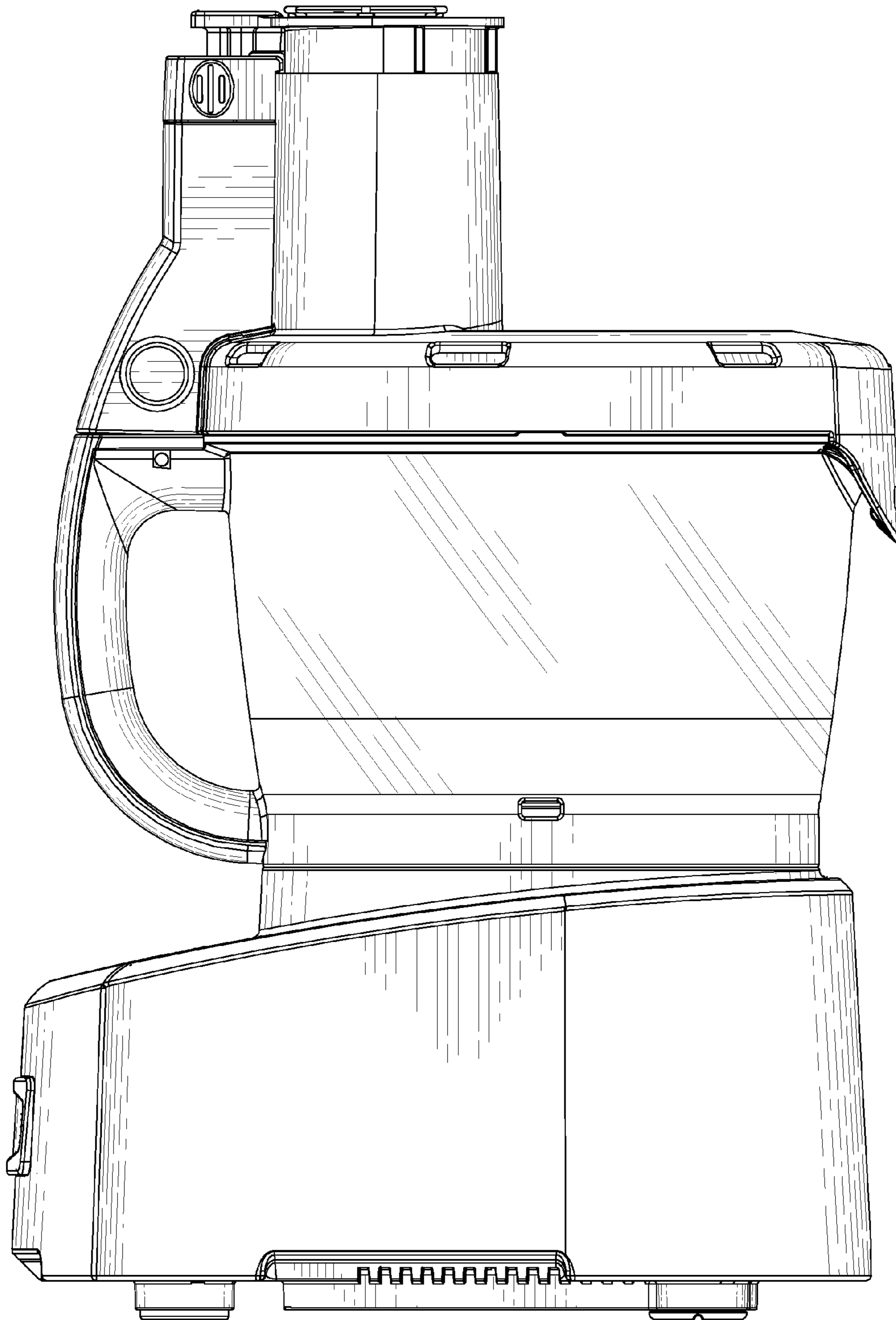


FIG. 5

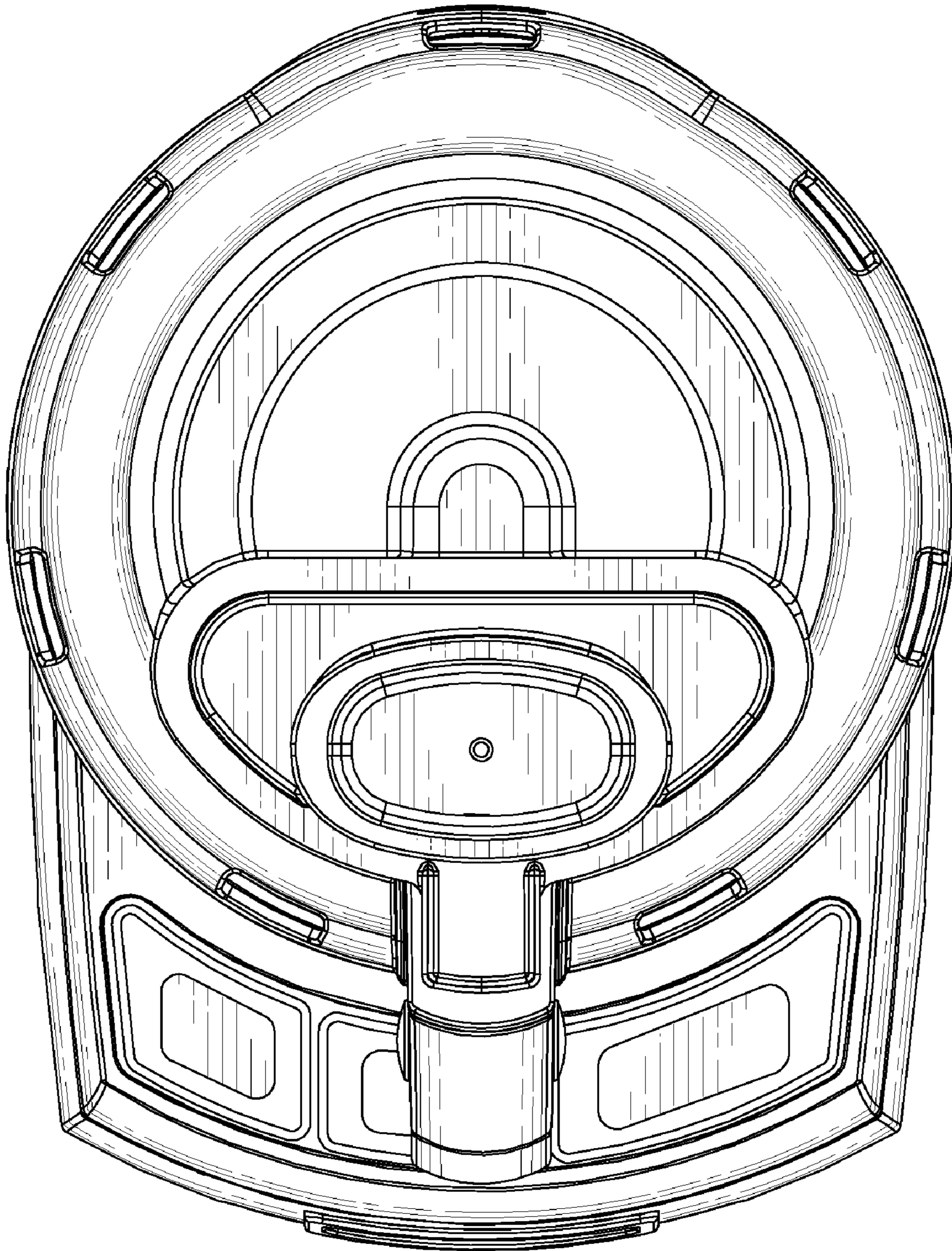


FIG. 6

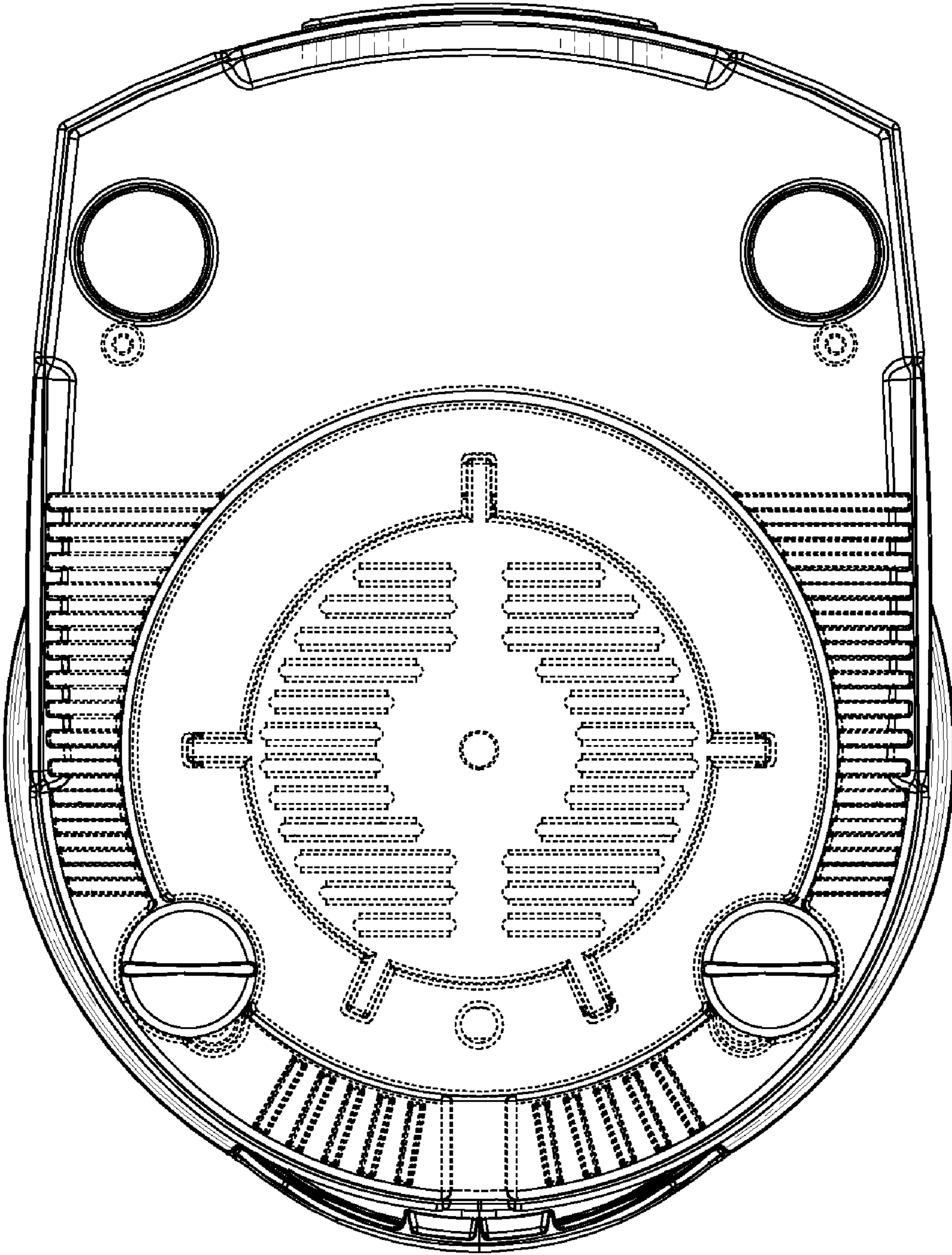


FIG. 7