



US00D625142S

(12) **United States Design Patent**
Moore

(10) **Patent No.:** **US D625,142 S**
(45) **Date of Patent:** **** Oct. 12, 2010**

(54) **FOOD PROCESSOR**

(75) Inventor: **Devin Lee Moore**, Decatur, GA (US)

(73) Assignee: **Conair Corporation**, Stamford, CT (US)

(**) Term: **14 Years**

(21) Appl. No.: **29/344,330**

(22) Filed: **Sep. 28, 2009**

(51) **LOC (9) Cl.** **31-00**

(52) **U.S. Cl.** **D7/384; D7/376; D7/378**

(58) **Field of Classification Search** D7/305-311,
D7/317-318, 376-386, 412-415, 665; 99/348,
99/509-511; 241/30-37.5, 101.01-101.2,
241/166-169.1, 285.1-285.3, 291, 292.1;
366/64-67, 98, 142, 197-211, 241-254,
366/279-292, 341-347

See application file for complete search history.

(56) **References Cited**

U.S. PATENT DOCUMENTS

D390,746 S * 2/1998 Hippen et al. D7/384
D466,363 S * 12/2002 Dalton et al. D7/384

D488,344 S * 4/2004 Seum et al. D7/384
D502,047 S * 2/2005 Ledingham et al. D7/384
D560,093 S * 1/2008 Verdun D7/384
D580,216 S * 11/2008 Ryan D7/384

* cited by examiner

Primary Examiner—Ricky Pham

(74) *Attorney, Agent, or Firm*—Lawrence Cruz

(57) **CLAIM**

The ornamental design for a food processor, as shown and described.

DESCRIPTION

FIG. 1 is a perspective view of a food processor showing a new design;

FIG. 2 is front view thereof;

FIG. 3 is a rear view thereof;

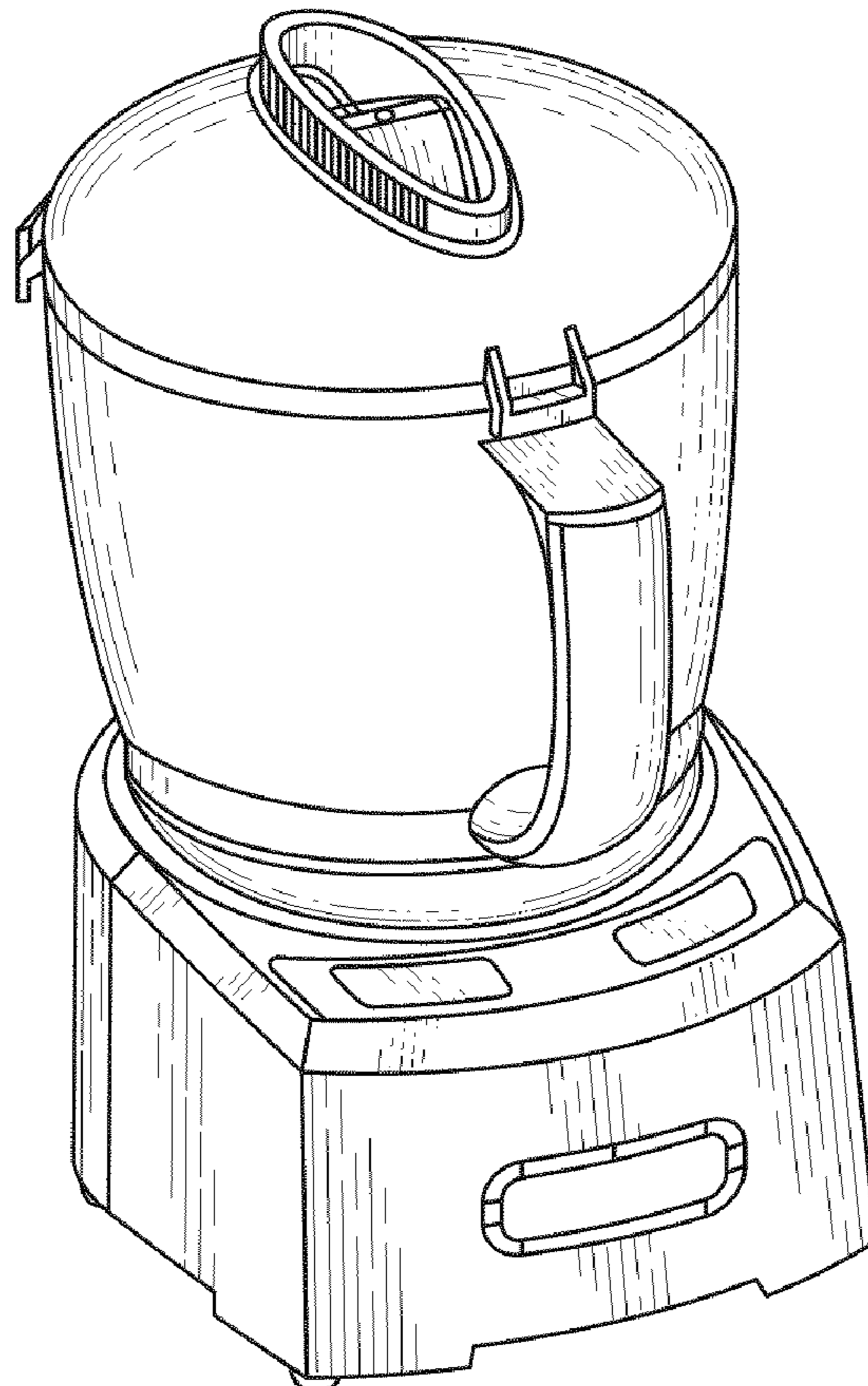
FIG. 4 is a left side view thereof;

FIG. 5 is a top view thereof; and,

FIG. 6 is a bottom view thereof.

The right side of the food processor (not shown) is a mirror image of the left side shown in FIG. 4.

1 Claim, 3 Drawing Sheets



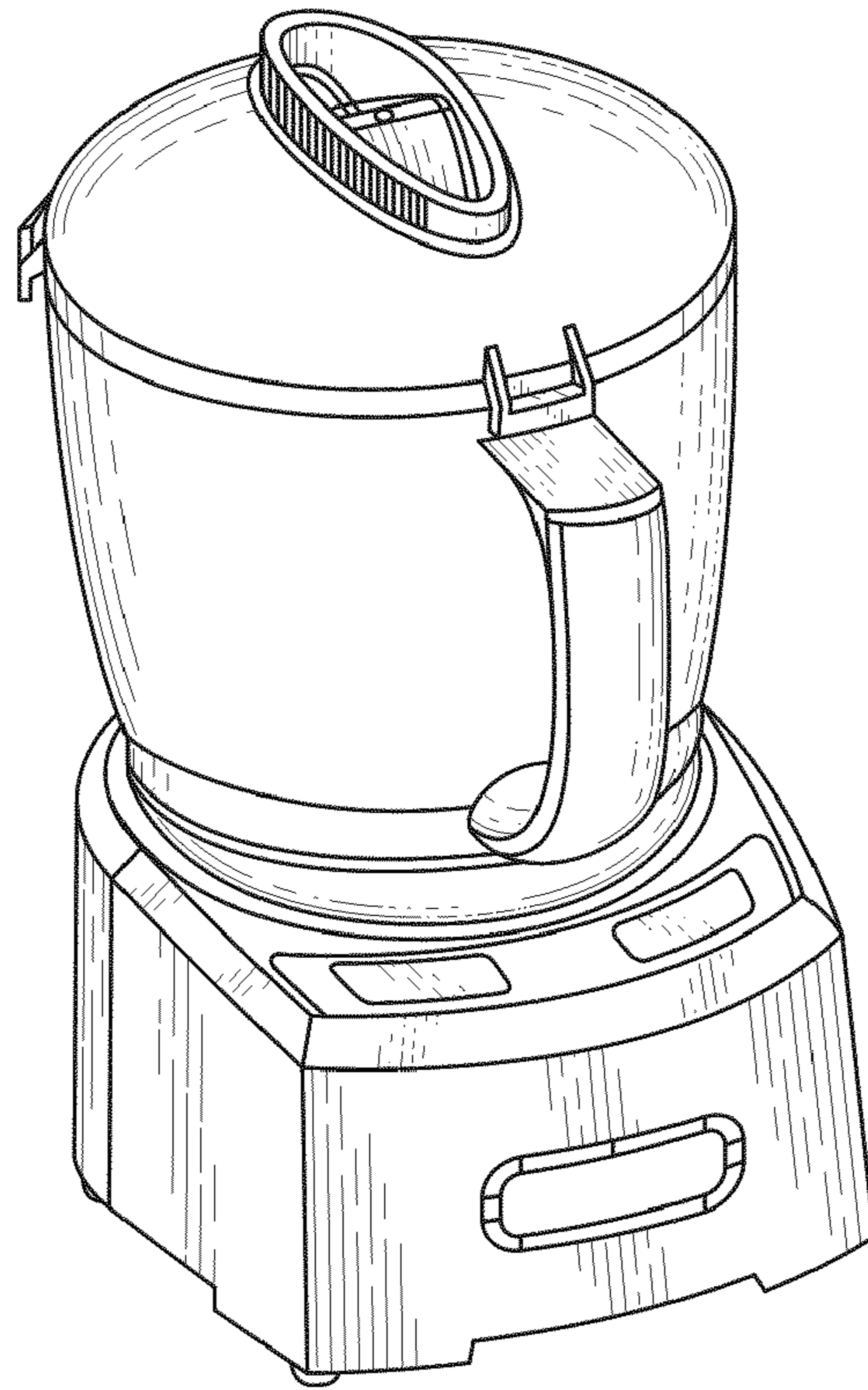


FIG. 1

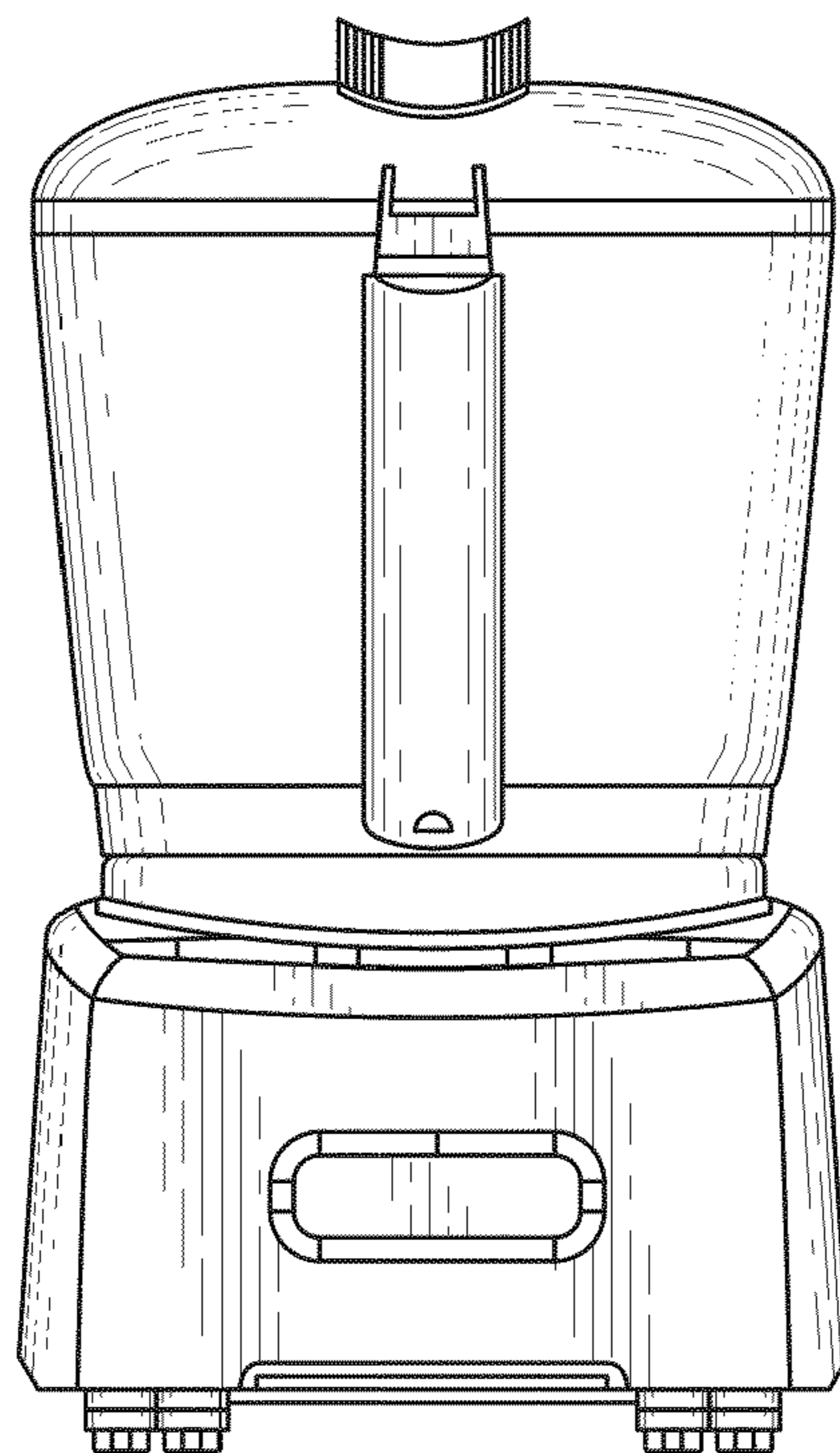


FIG. 2

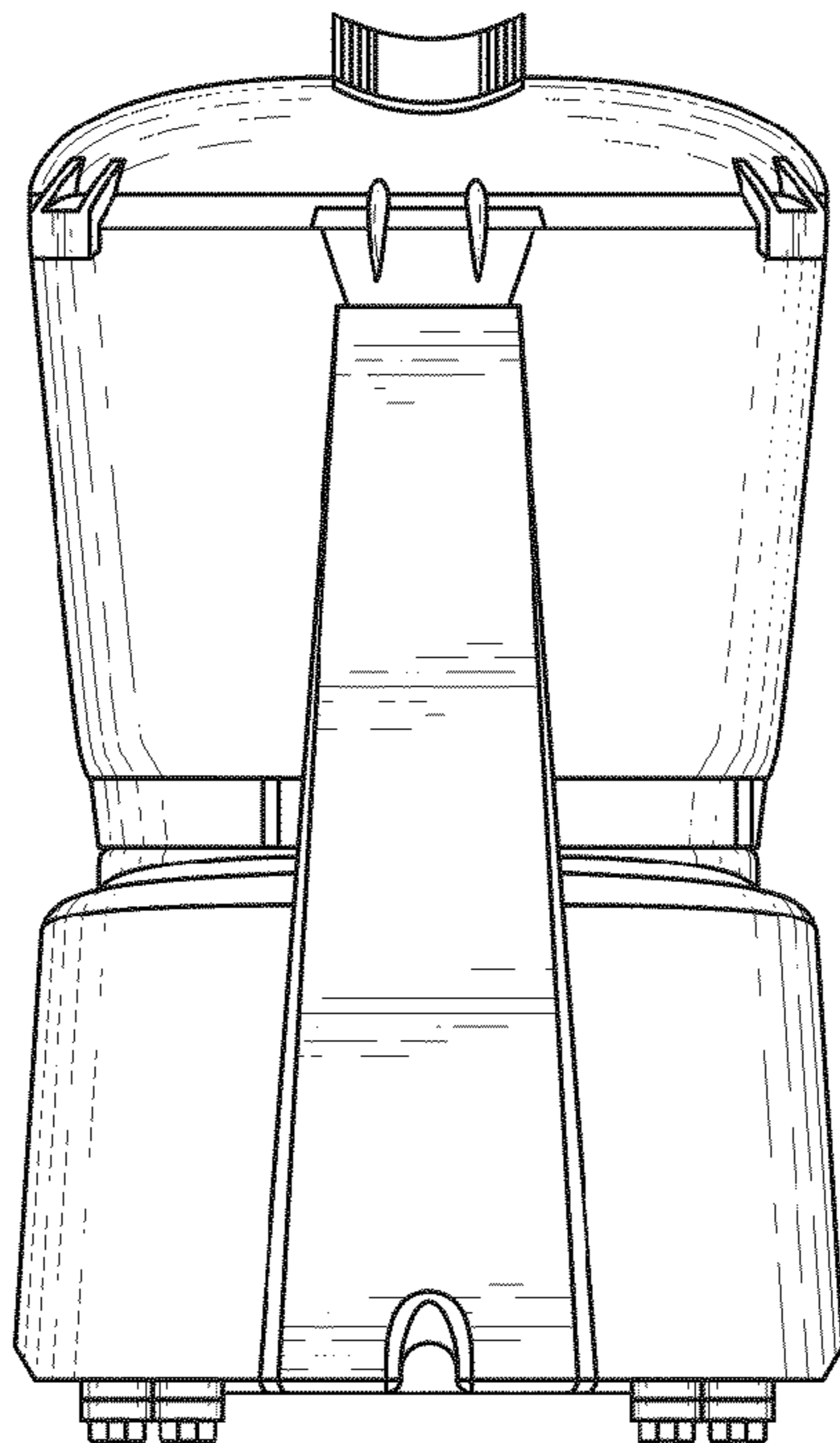


FIG. 3

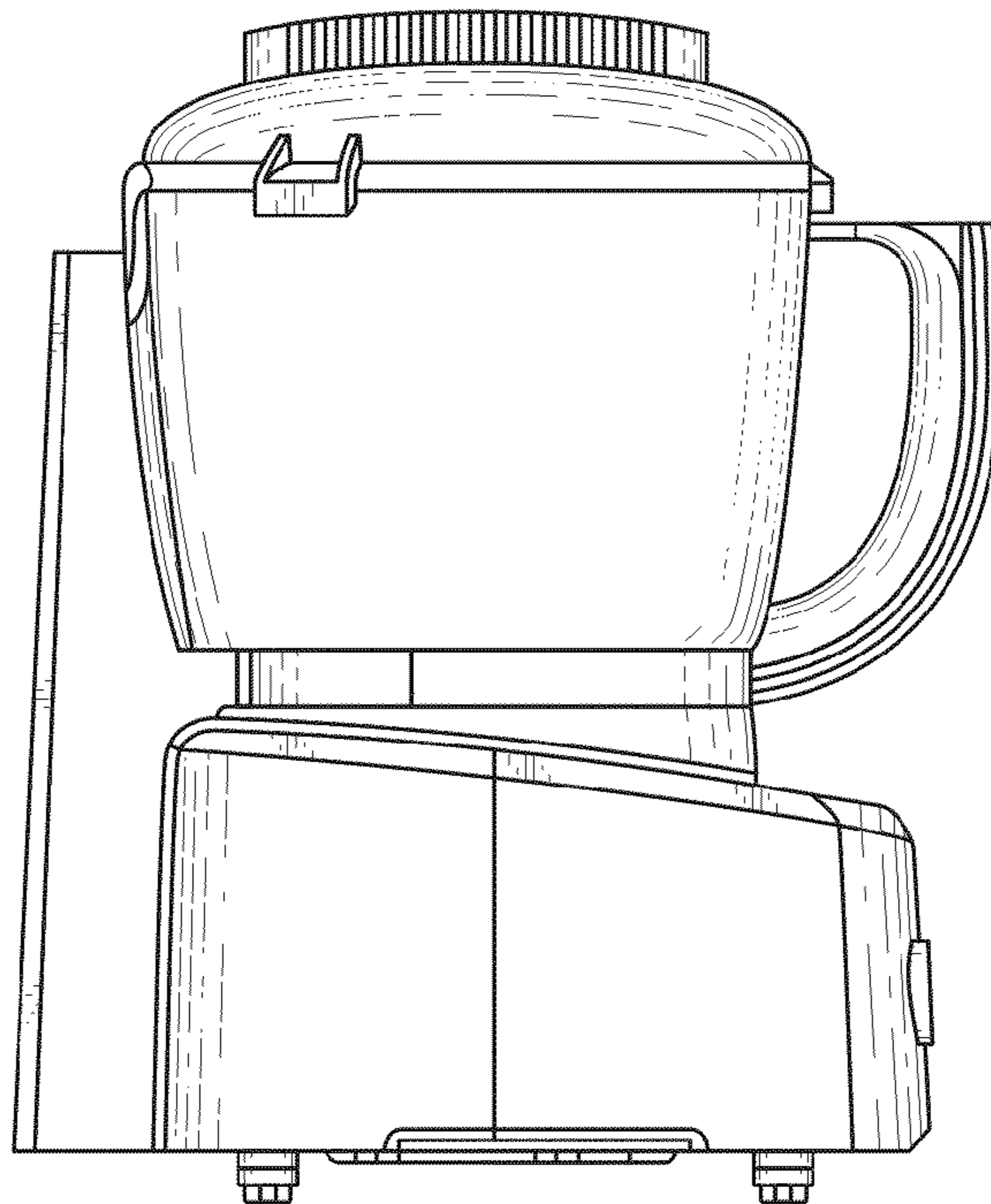


FIG. 4

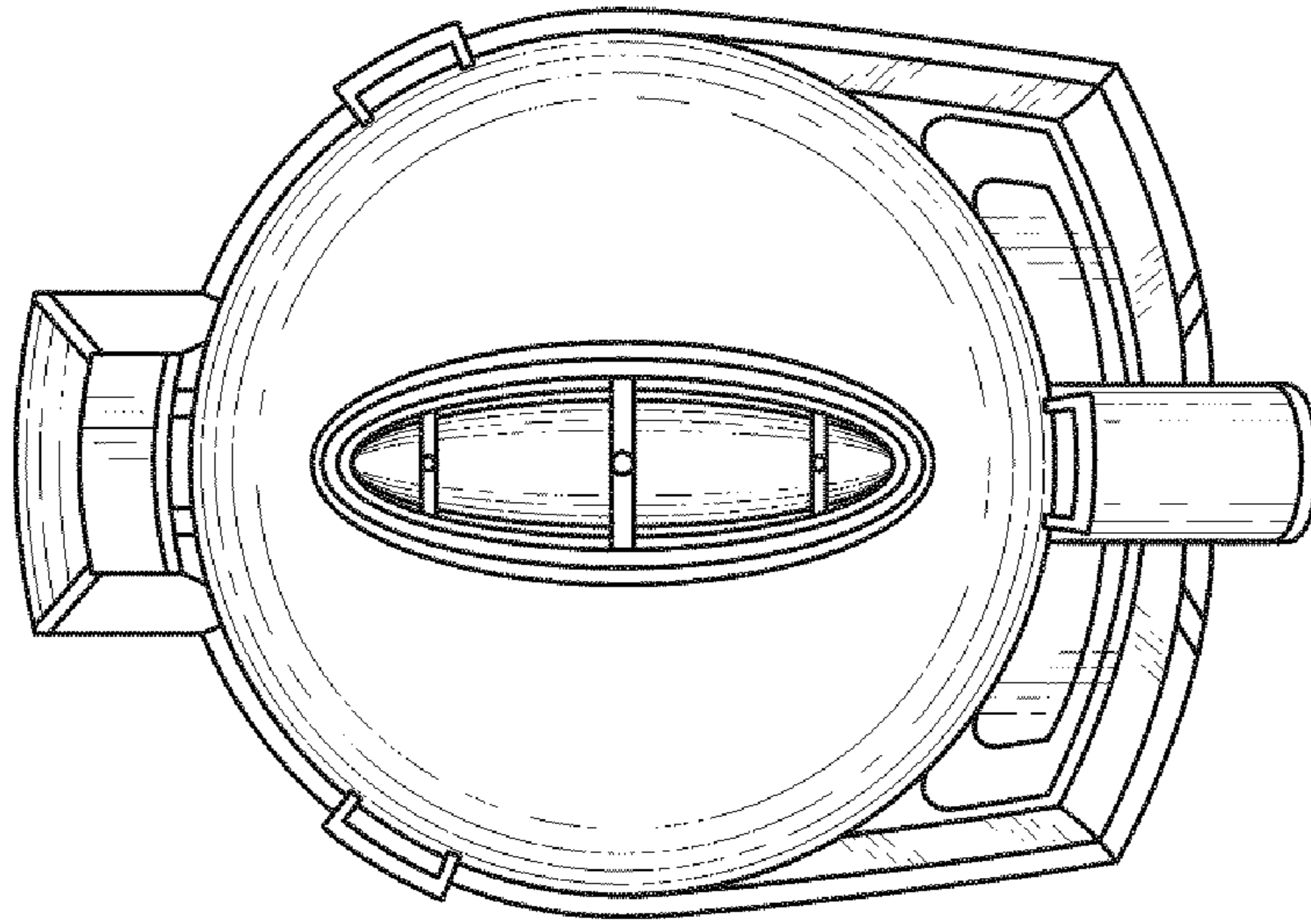


FIG. 5

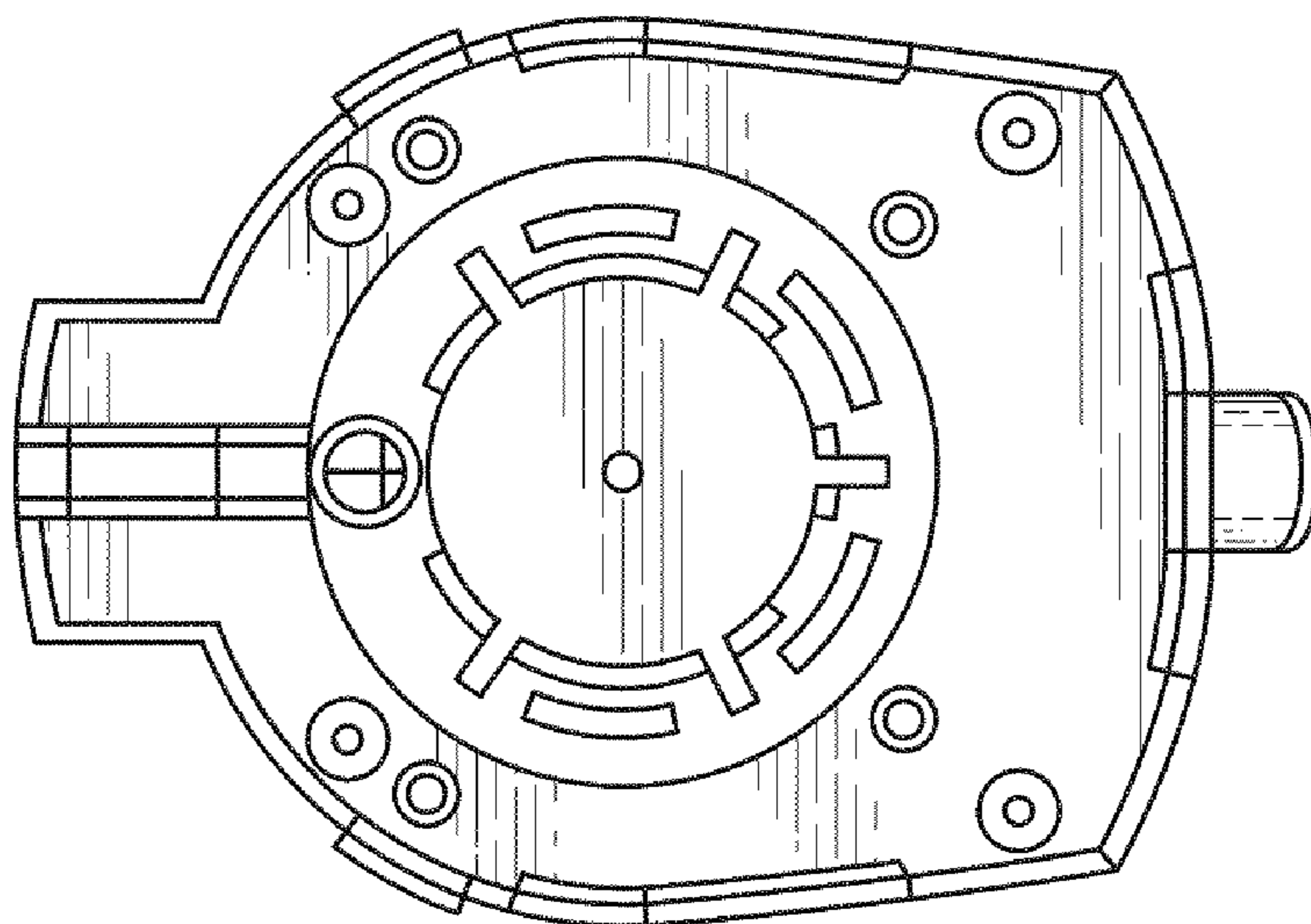


FIG. 6