



US00D625138S

(12) **United States Design Patent**  
**Feller et al.**

(10) **Patent No.:** **US D625,138 S**  
(45) **Date of Patent:** **\*\* Oct. 12, 2010**

(54) **BOTTLE WARMER**

(75) Inventors: **Jürg Feller**, Hirzel (CH); **Urs Stadelmann**, Lucerne (CH); **Britta Pukall**, Wädenswil (DE); **Therese Naef**, Wettingen (CH)

(73) Assignee: **Medela Holding AG**, Baar (CH)

(\*\*) Term: **14 Years**

(21) Appl. No.: **29/356,808**

(22) Filed: **Mar. 3, 2010**

(30) **Foreign Application Priority Data**

Sep. 4, 2009 (WO) ..... 51172401

(51) **LOC (9) Cl.** ..... **07-02**

(52) **U.S. Cl.** ..... **D7/326**

(58) **Field of Classification Search** ..... D7/305–311, D7/317, 323, 326, 372–373, 376–386, 412–415; 219/385–387, 429–436; 241/30–37.5, 101.01–101.2, 241/166–169.1, 285.1–285.3; 366/64–67, 366/142, 197–211, 241–254, 279–292, 341–347  
See application file for complete search history.

(56) **References Cited**

**U.S. PATENT DOCUMENTS**

D336,211 S \* 6/1993 Classen ..... D7/373

D336,404 S \* 6/1993 Classen ..... D7/373  
D394,984 S \* 6/1998 Andrieu ..... D7/376  
D396,990 S \* 8/1998 Leverrier ..... D7/378  
D474,066 S \* 5/2003 Morton et al. .... D7/386  
D576,837 S \* 9/2008 Le Vavasseeure ..... D7/412

\* cited by examiner

*Primary Examiner*—Ricky Pham

(74) *Attorney, Agent, or Firm*—McDonnell Boehnen Hulbert & Berghoff LLP

(57) **CLAIM**

The ornamental design for a bottle warmer, as shown and described.

**DESCRIPTION**

FIG. 1 is a first perspective view of a bottle warmer of the present design;

FIG. 2 is a second perspective view thereof;

FIG. 3 is a front view thereof;

FIG. 4 is a back view thereof;

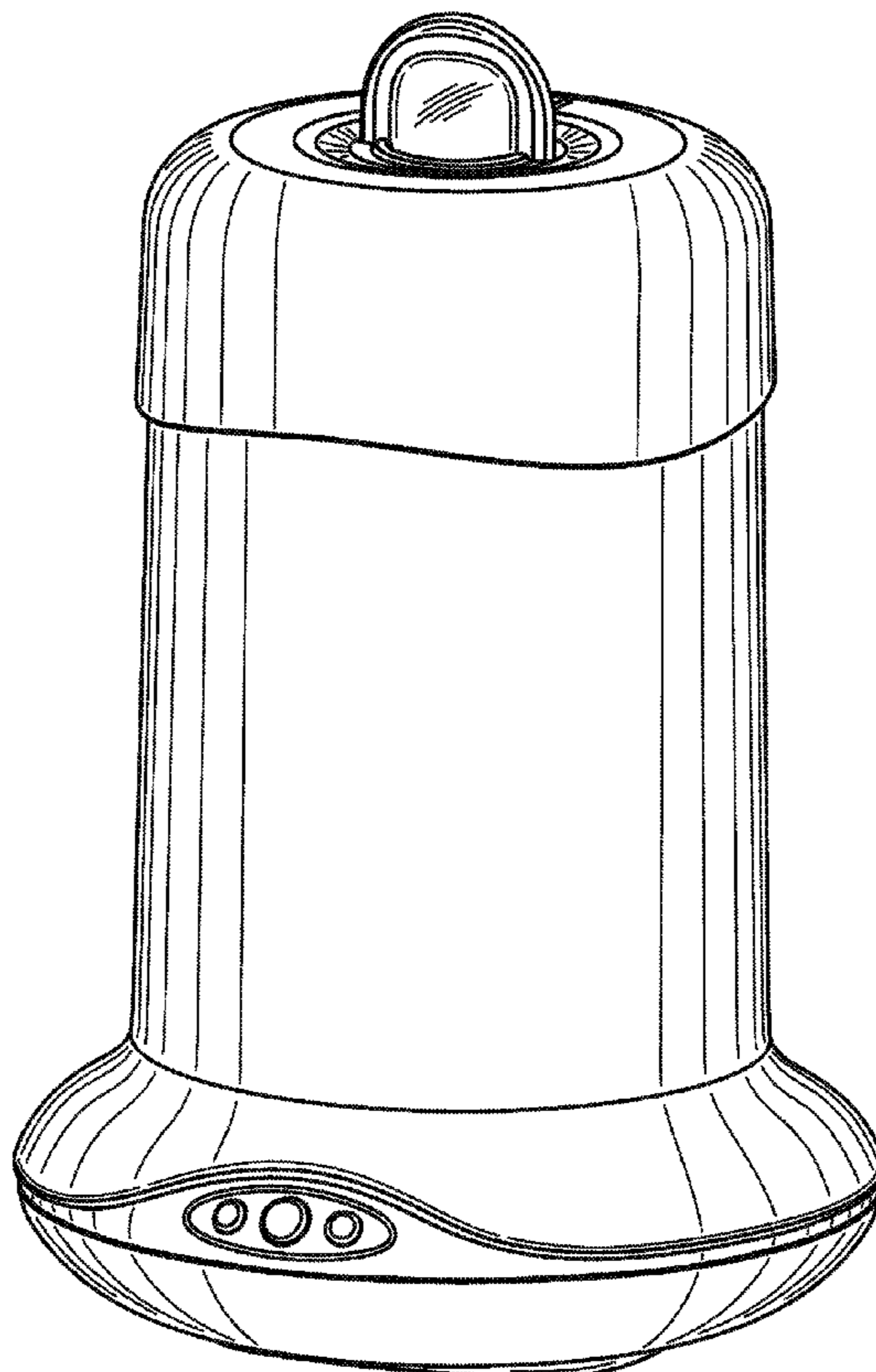
FIG. 5 is a right side view thereof;

FIG. 6 is a left side view thereof;

FIG. 7 is a top view thereof; and,

FIG. 8 is a bottom view thereof.

**1 Claim, 8 Drawing Sheets**



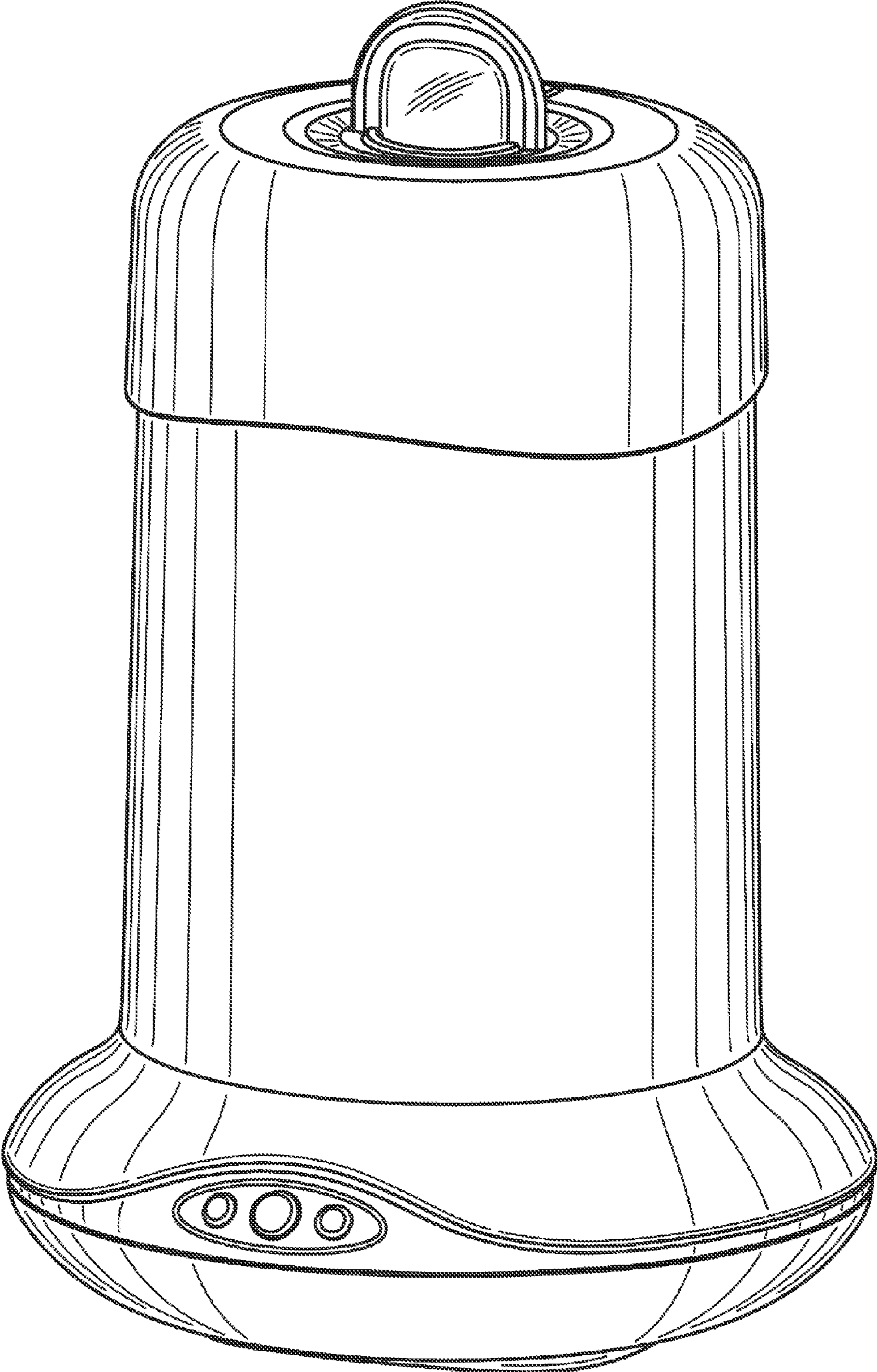


FIG. 1

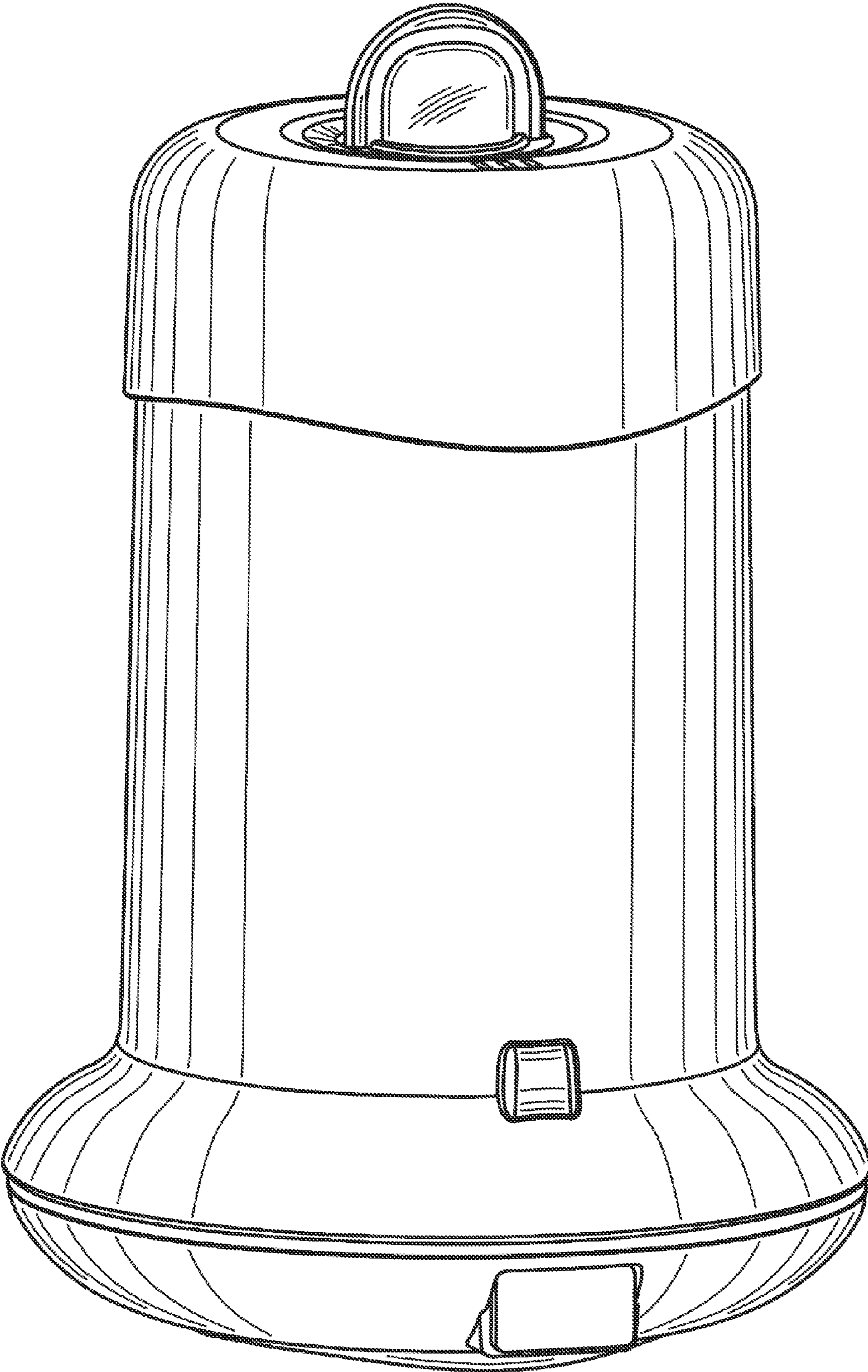


FIG. 2



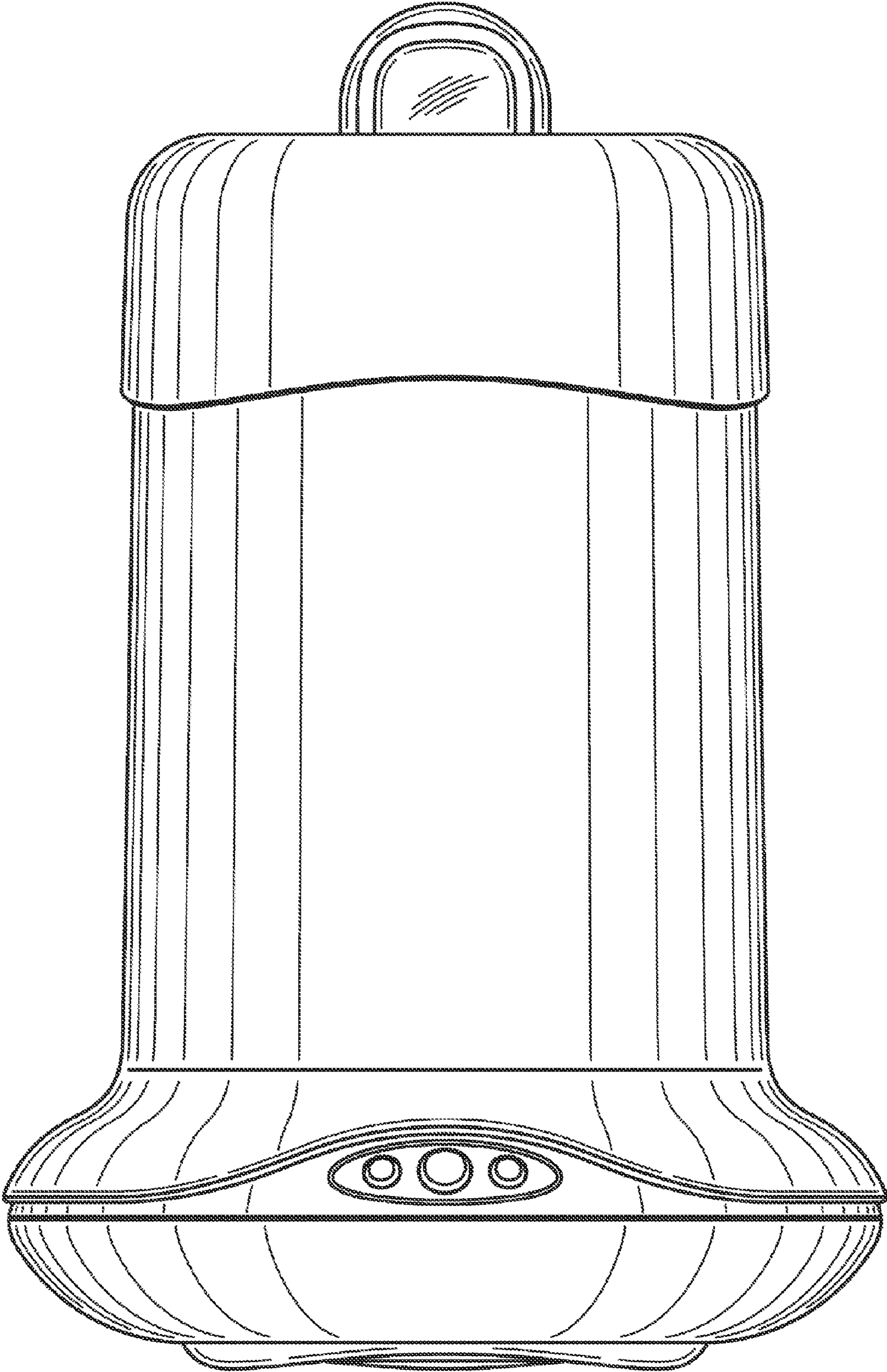


FIG. 3

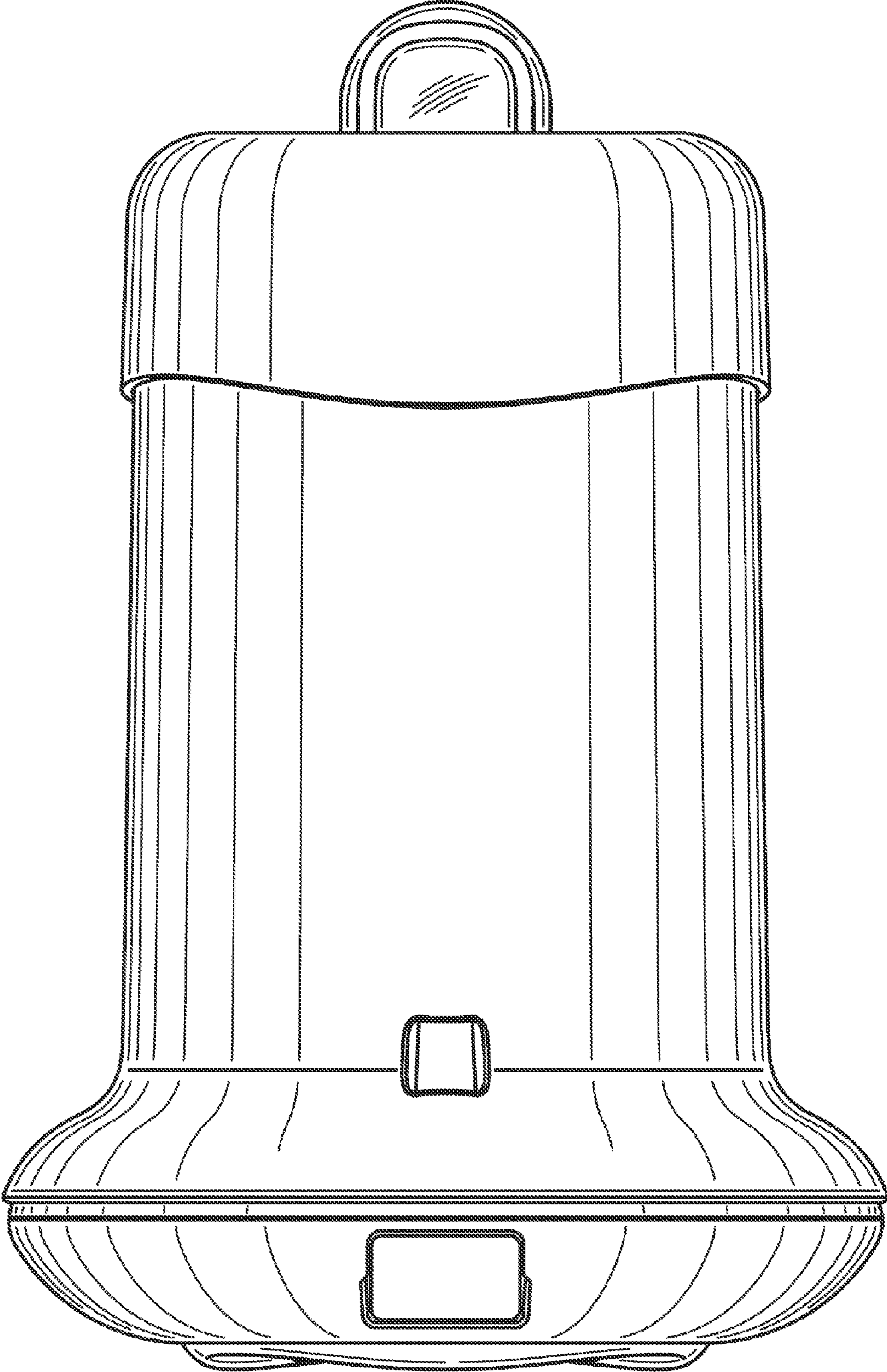


FIG. 4

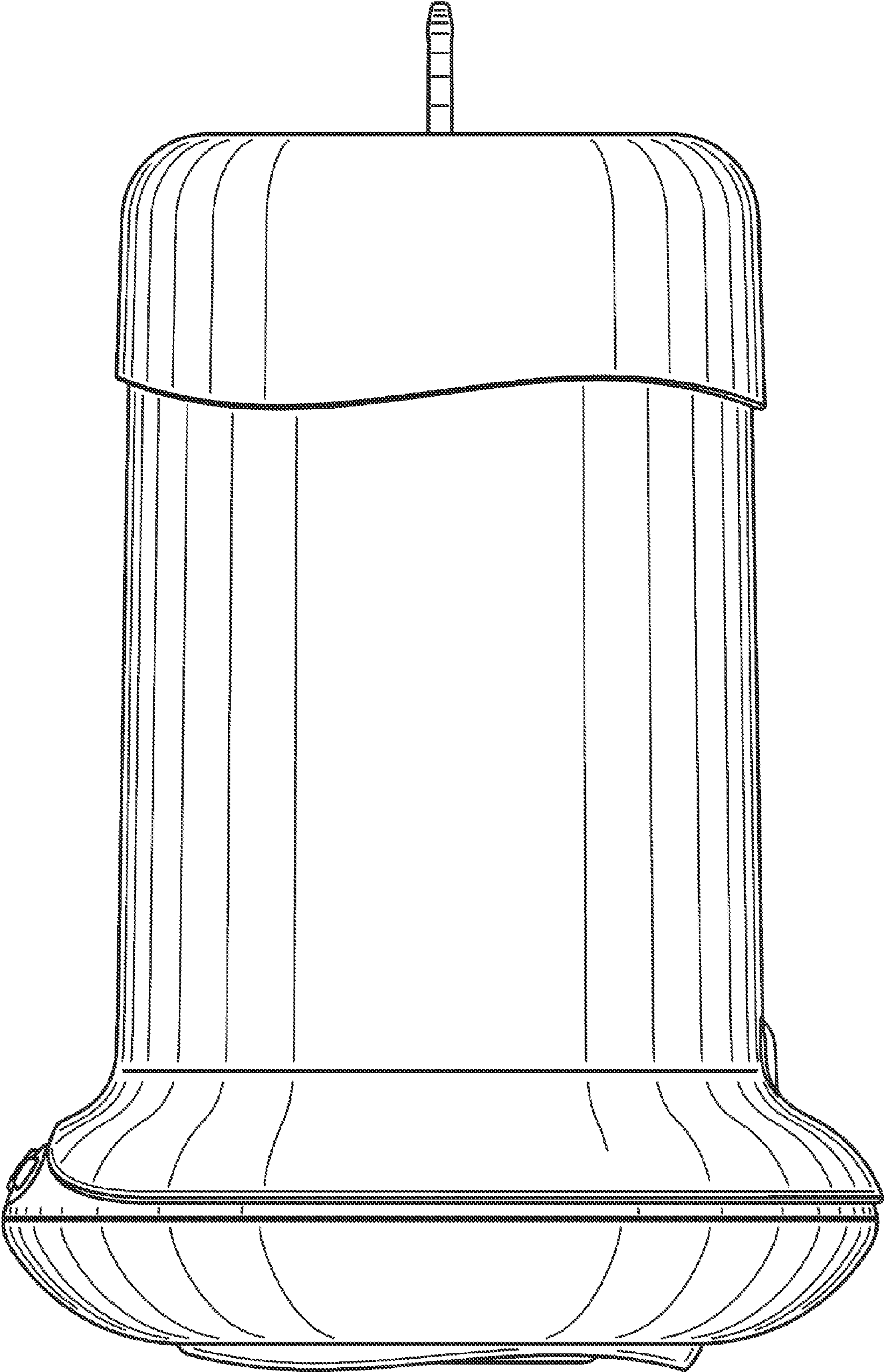


FIG. 5



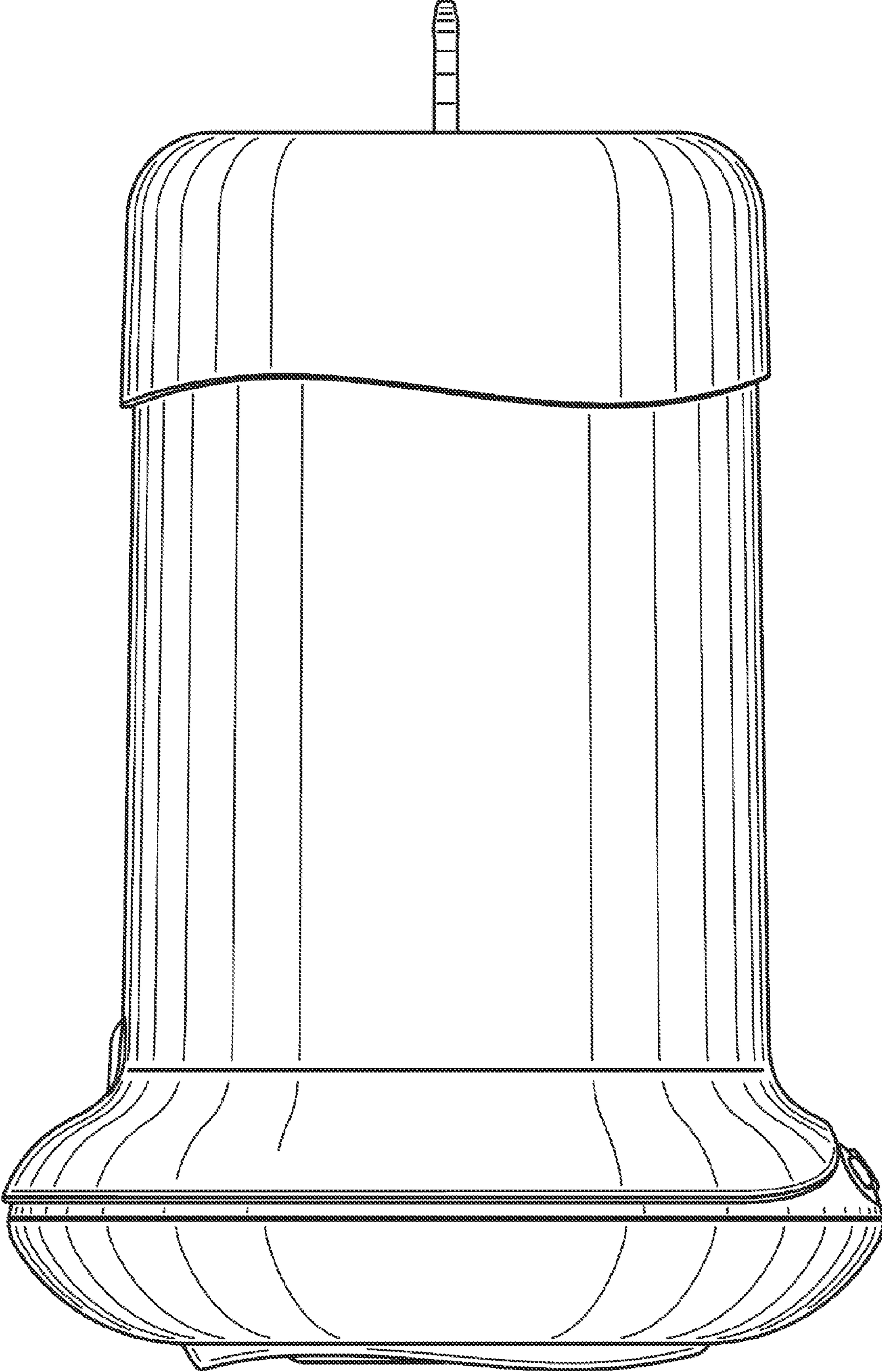


FIG. 6

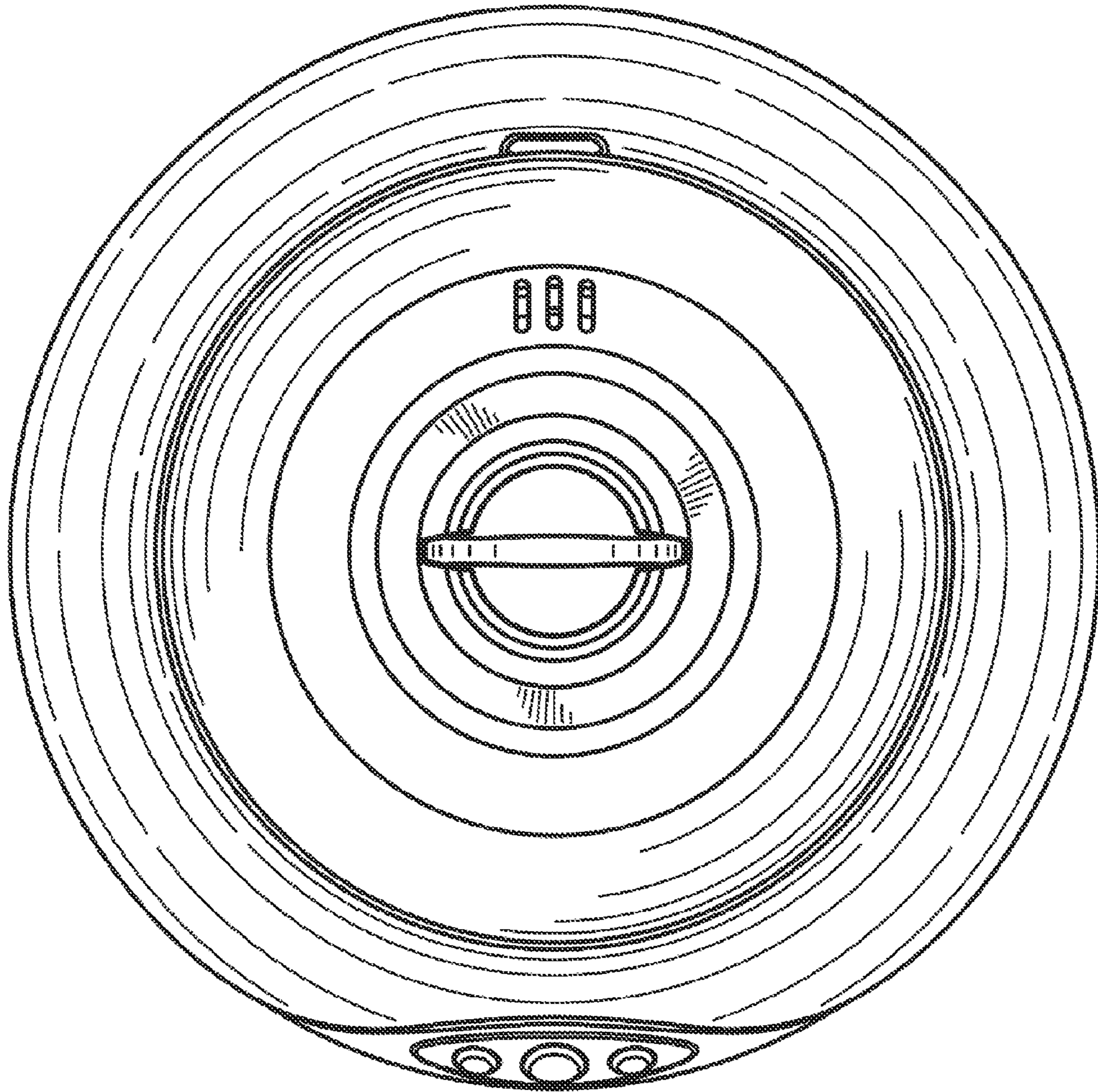


FIG. 7



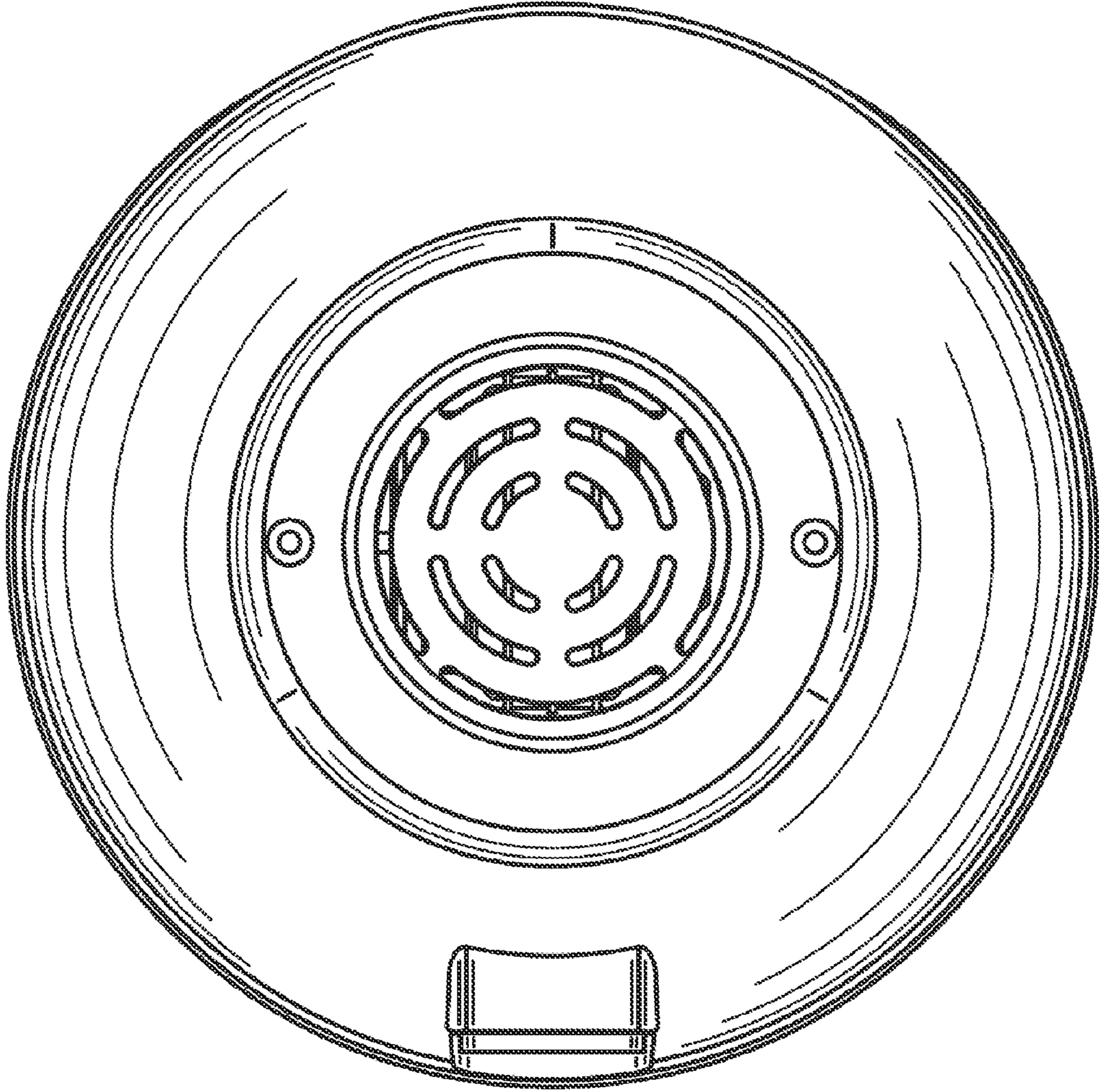


FIG. 8