



US00D625136S

(12) **United States Design Patent**  
**Moriarty et al.**

(10) **Patent No.:** **US D625,136 S**

(45) **Date of Patent:** **\*\* Oct. 12, 2010**

(54) **COFFEE MAKER**

(75) Inventors: **Vance Moriarty**, Wichita, KS (US);  
**Jake L. Hillard**, Wichita, KS (US);  
**Daniel E. DeBrunner**, Wichita, KS  
(US); **Kyle R. Penner**, Wichita, KS (US)

(73) Assignee: **The Coleman Company, Inc.**, Wichita,  
KS (US)

(\*\*) Term: **14 Years**

(21) Appl. No.: **29/354,724**

(22) Filed: **Jan. 27, 2010**

(51) **LOC (9) Cl.** ..... **07-01**

(52) **U.S. Cl.** ..... **D7/309; D7/310; D7/311**

(58) **Field of Classification Search** ..... D7/300,  
D7/311, 306-309, 310, 397; D6/446; 222/129.1-129.4,  
222/146.6; 99/300, 306, 307, 281  
See application file for complete search history.

(56) **References Cited**

**U.S. PATENT DOCUMENTS**

D446,990 S \* 8/2001 Prat ..... D7/309  
D453,656 S \* 2/2002 Byler et al. .... D7/309  
D472,754 S 4/2003 Long et al.  
6,739,241 B2 5/2004 Long et al.  
D495,916 S \* 9/2004 Zhu ..... D7/309

7,146,904 B2 \* 12/2006 Scribner ..... 99/300  
D561,515 S \* 2/2008 De Pra' ..... D7/309  
D570,149 S \* 6/2008 Truong ..... D7/309  
D585,229 S \* 1/2009 de Visser ..... D7/309  
D593,354 S \* 6/2009 Romandy ..... D7/306  
D597,368 S \* 8/2009 Steiner ..... D7/309

\* cited by examiner

*Primary Examiner*—Marianne Pandozzi

(74) *Attorney, Agent, or Firm*—Kelly S. Elsea

(57) **CLAIM**

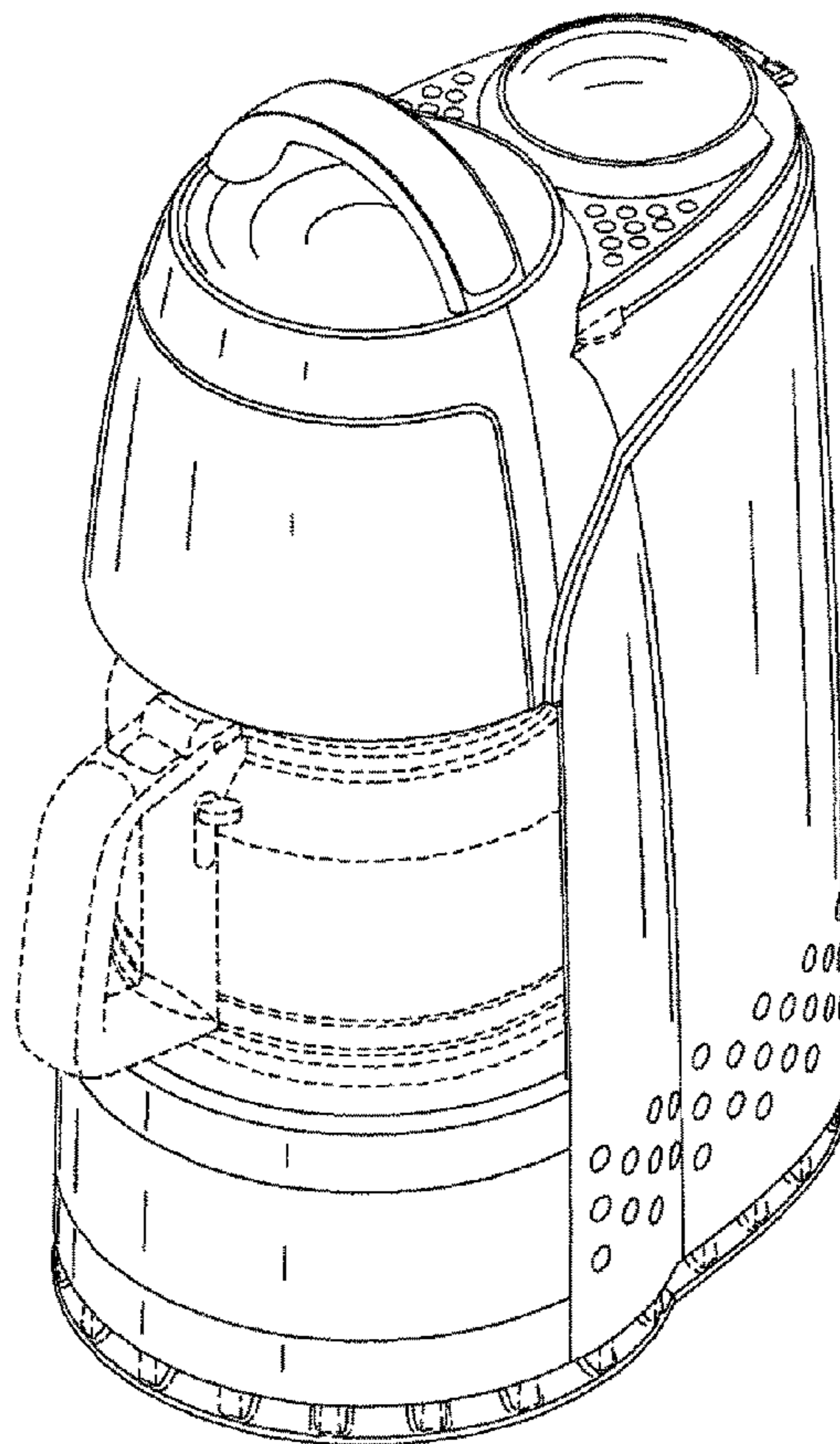
The ornamental design for a coffee maker, as shown and described.

**DESCRIPTION**

FIG. 1 is a front side perspective view of our coffee maker;  
FIG. 2 is a front elevation view thereof;  
FIG. 3 is a rear elevation view thereof;  
FIG. 4 is a left side elevation view thereof;  
FIG. 5 is a right side elevation view thereof;  
FIG. 6 is a top plan view thereof; and,  
FIG. 7 is a bottom plan view thereof.

The broken line showing is for illustrative purposes only and forms no part of the claimed design.

**1 Claim, 7 Drawing Sheets**



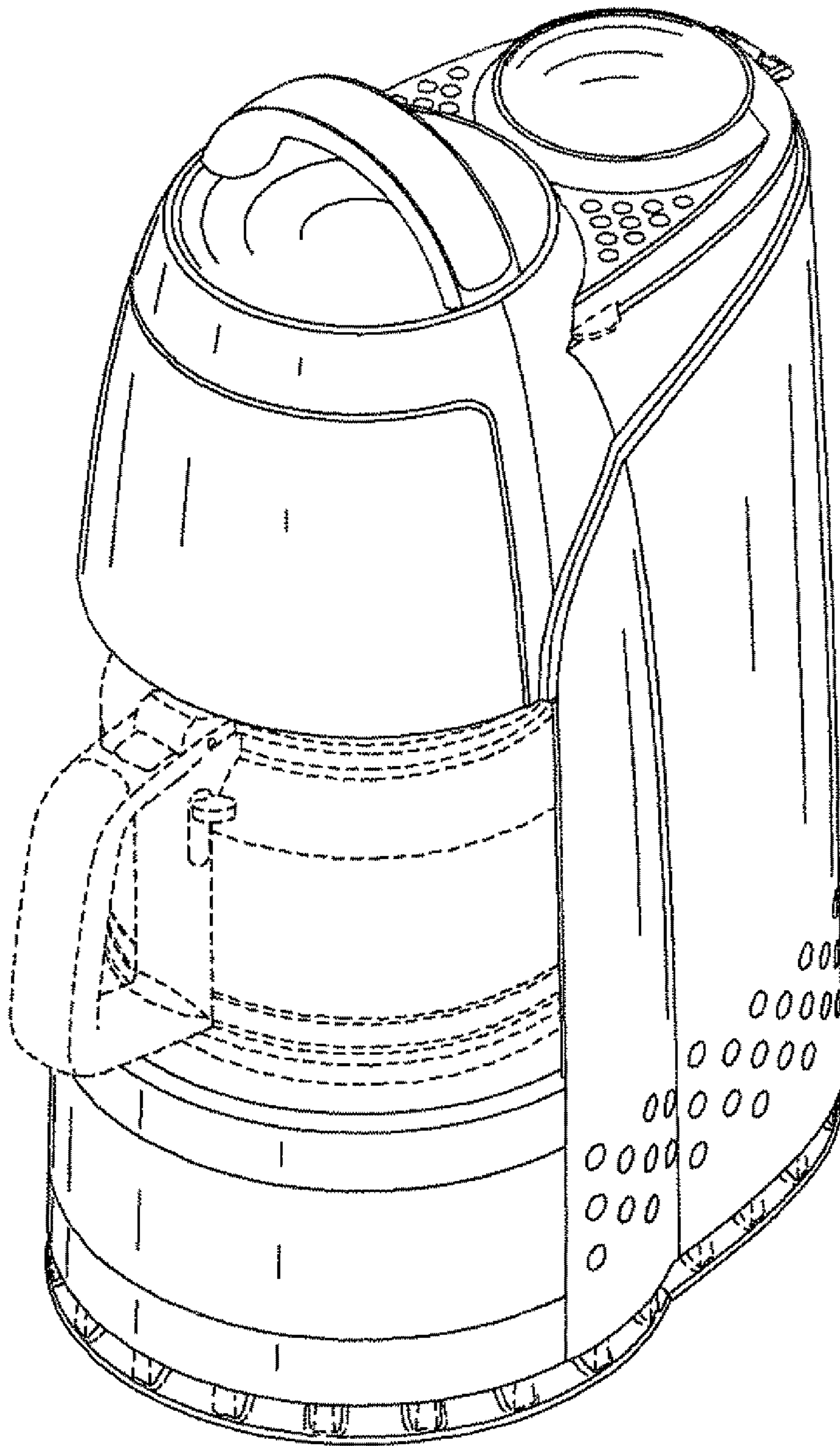


FIG 1

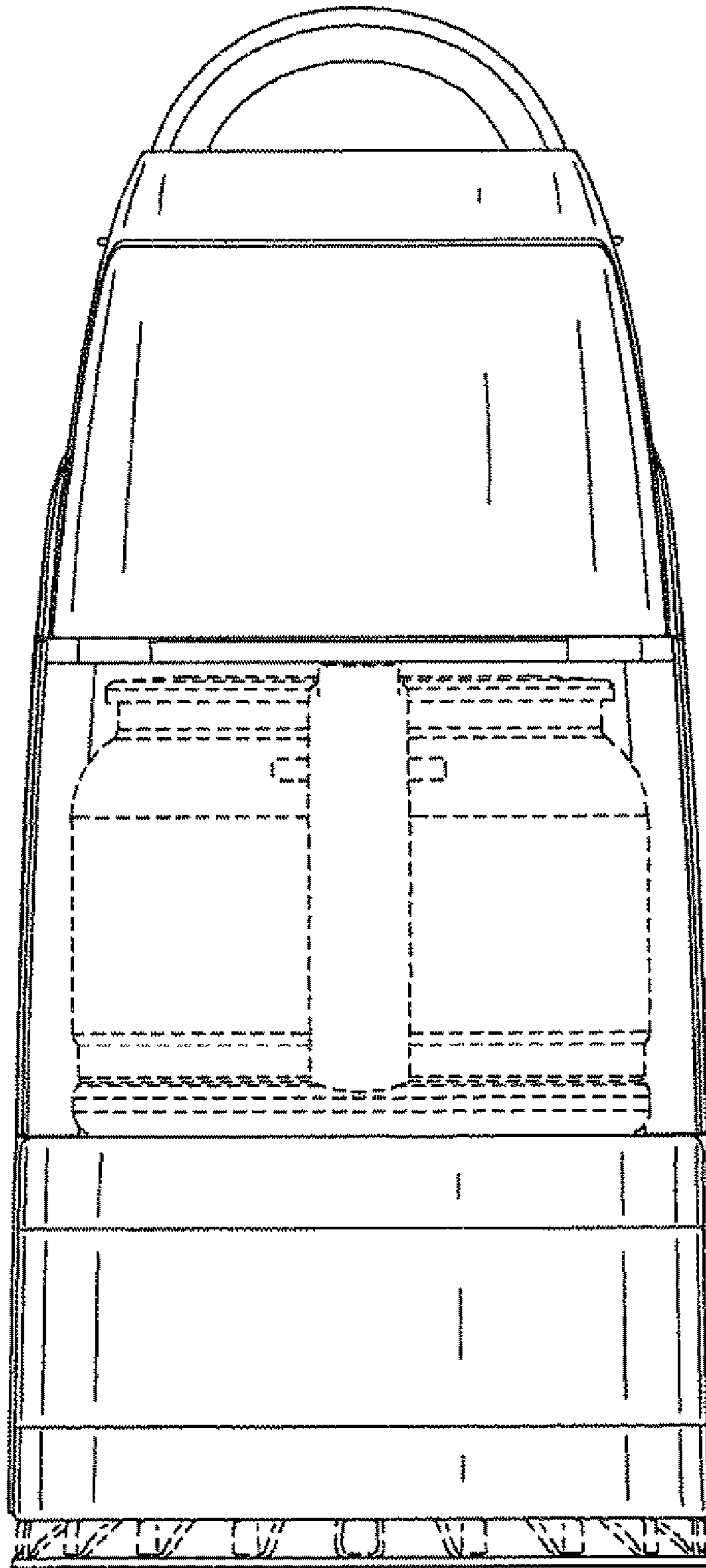


FIG 2

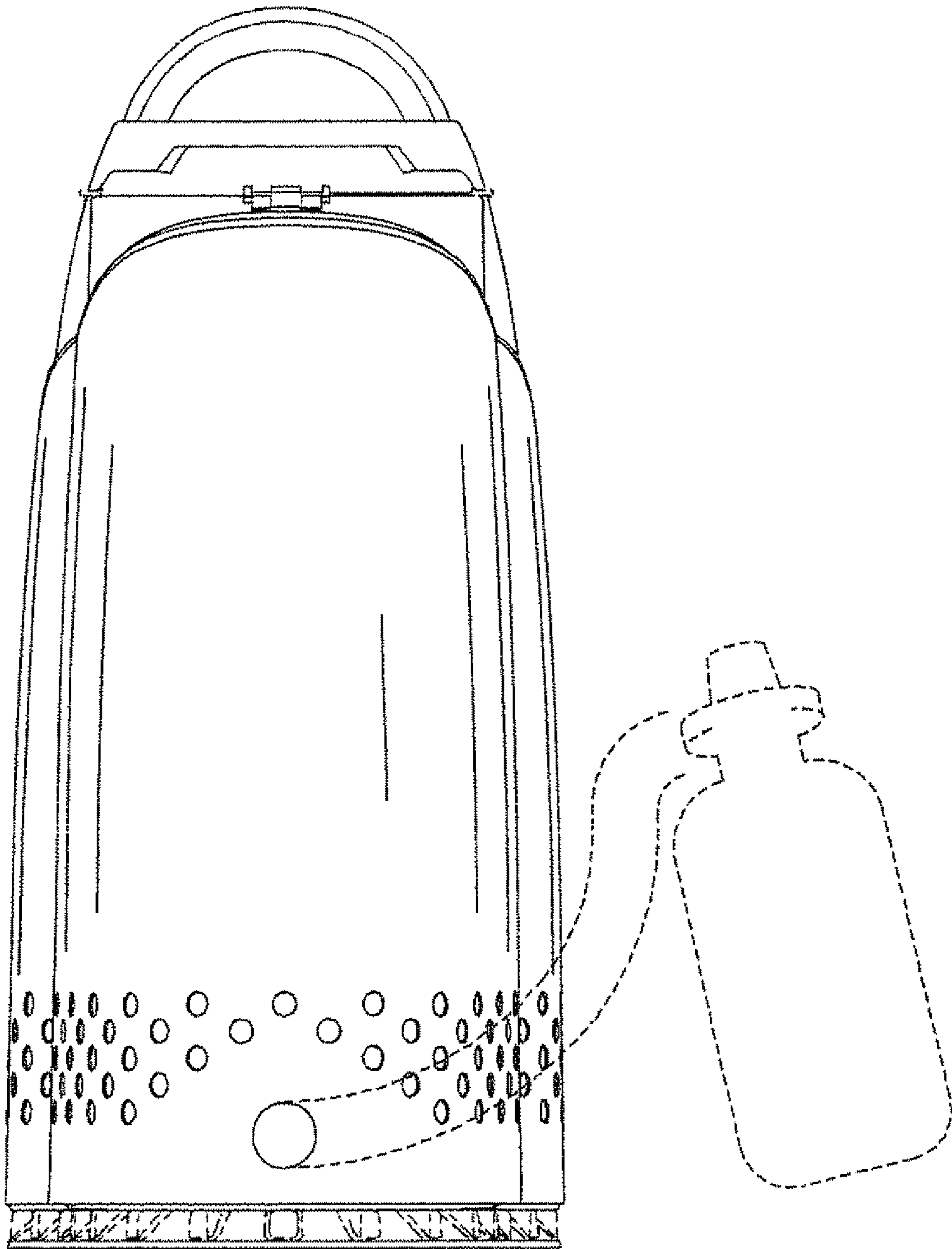


FIG 3

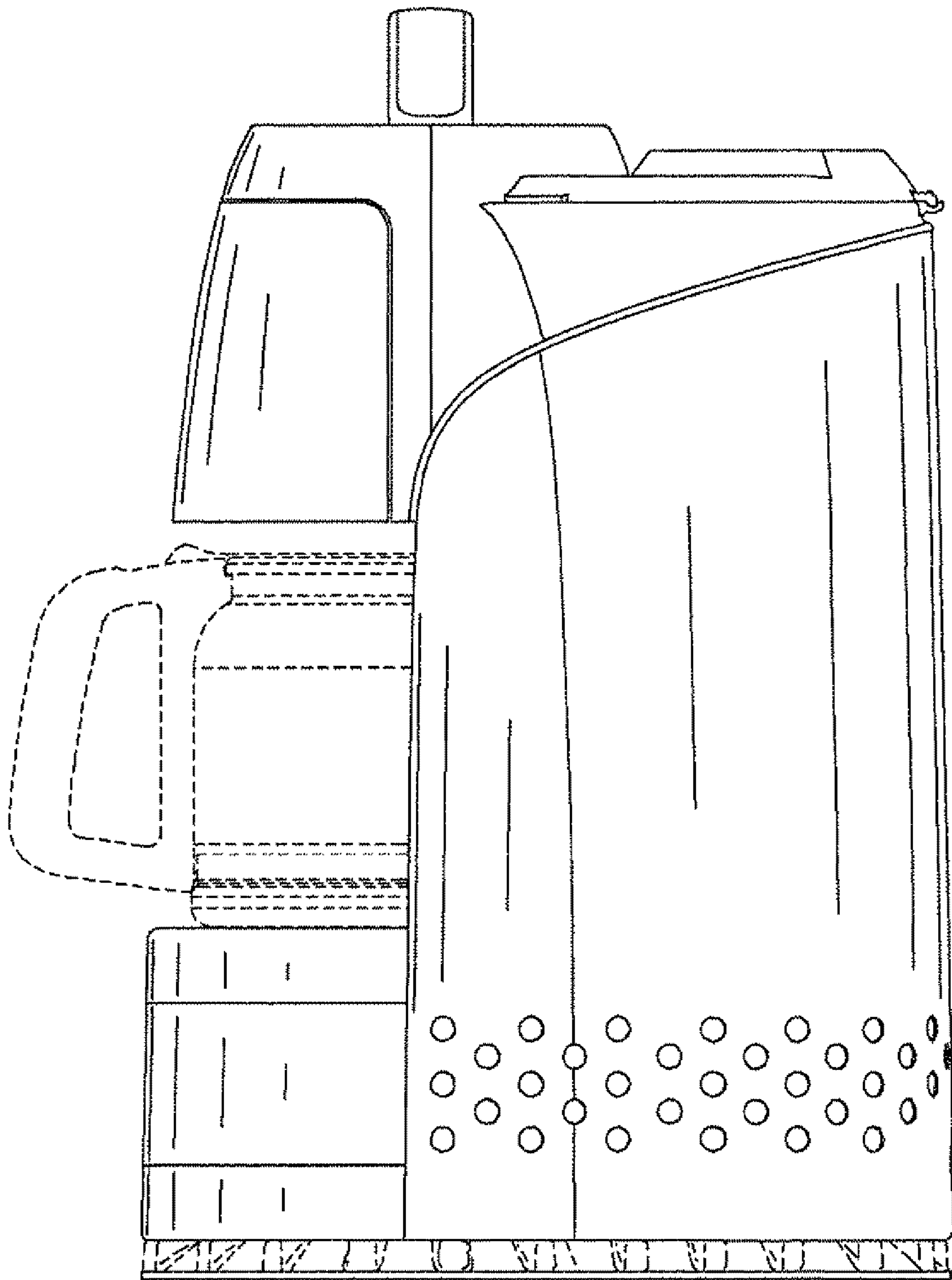


FIG 4

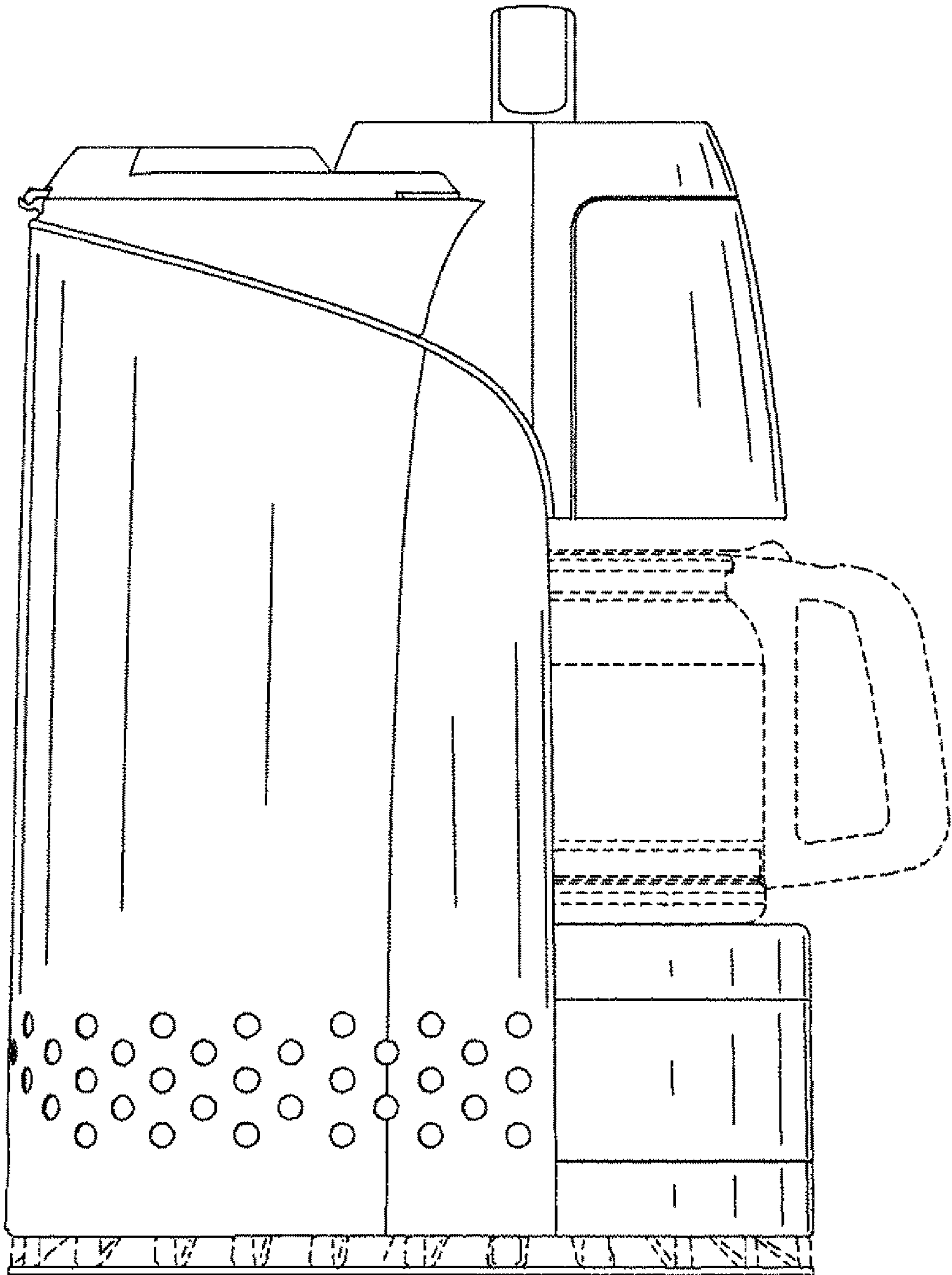


FIG 5

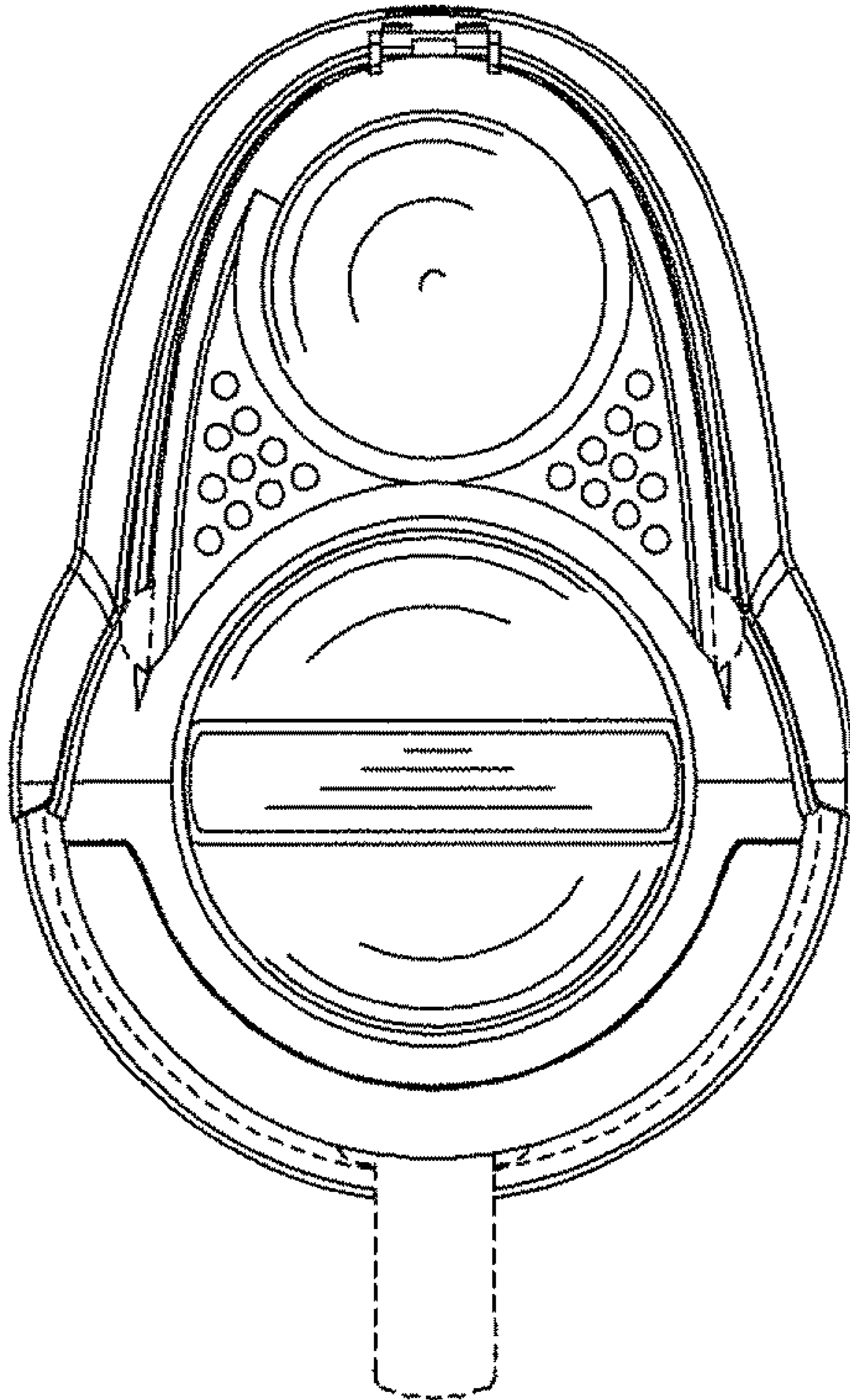


FIG 6

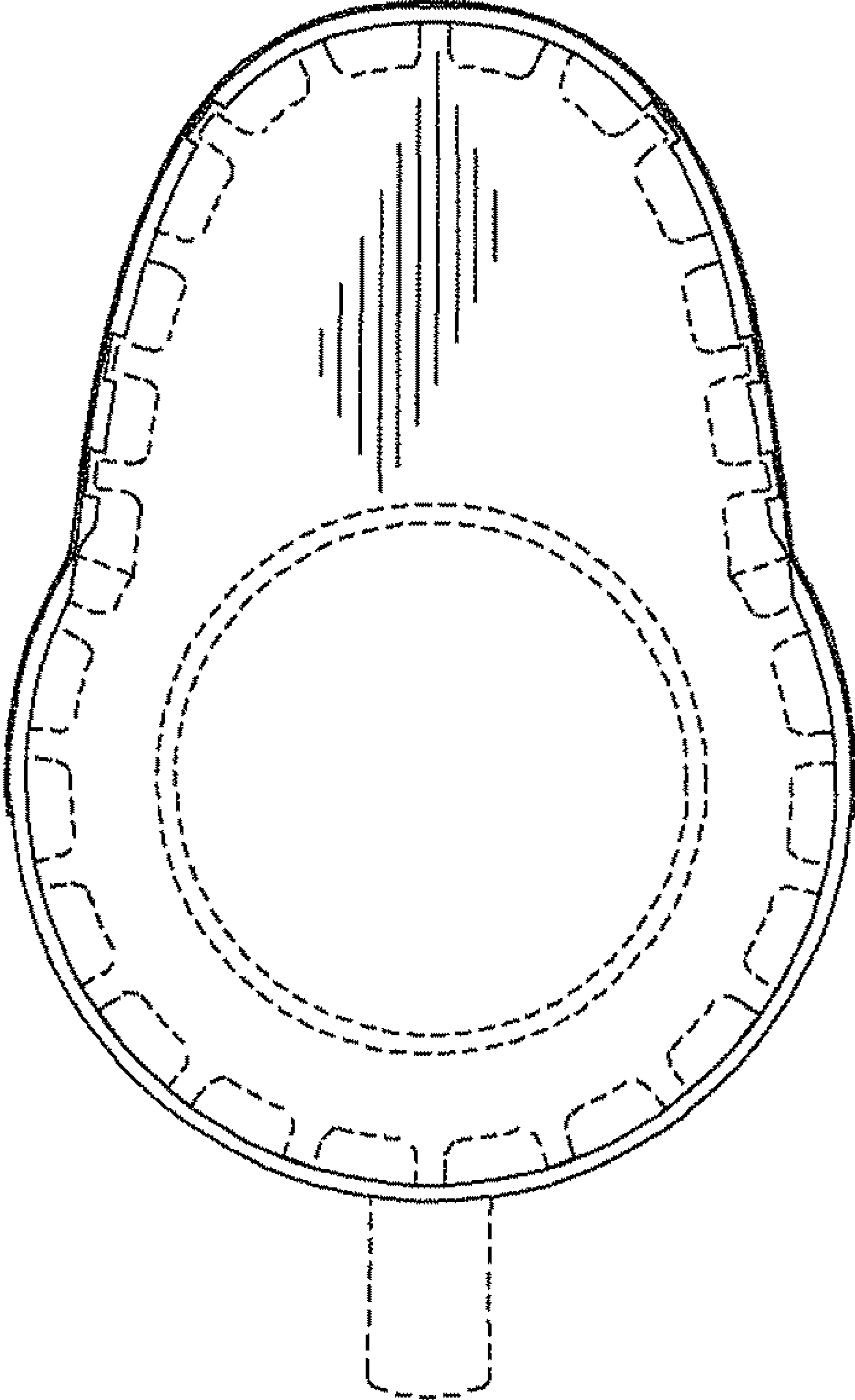


FIG 7