



US00D625134S

(12) **United States Design Patent**
Moore et al.

(10) **Patent No.:** **US D625,134 S**
(45) **Date of Patent:** **** Oct. 12, 2010**

(54) **COFFEE MAKER**

(75) Inventors: **Devin Lee Moore**, Decatur, GA (US);
Erick E. Rios, Atlanta, GA (US)

(73) Assignee: **Conair Corporation**, Stamford, CT
(US)

(**) Term: **14 Years**

(21) Appl. No.: **29/350,583**

(22) Filed: **Nov. 19, 2009**

(51) **LOC (9) Cl.** **07-01**

(52) **U.S. Cl.** **D7/309; D7/310; D7/311**

(58) **Field of Classification Search** **D7/300,**
D7/309-311, 306-308; 99/280, 300, 306,
99/307, 279

See application file for complete search history.

(56) **References Cited**

U.S. PATENT DOCUMENTS

D502,628 S *	3/2005	Ledingham et al.	D7/309
D514,865 S *	2/2006	Steiner	D7/309
7,013,795 B2 *	3/2006	Mulle et al.	99/286
D524,588 S *	7/2006	Copland	D7/309
7,146,904 B2 *	12/2006	Scribner	99/300
D543,771 S *	6/2007	Julemont	D7/309
D545,110 S *	6/2007	Julemont	D7/309

D557,059 S *	12/2007	Lin	D7/309
D571,598 S *	6/2008	Moore	D7/306
D581,716 S *	12/2008	Harris, III	D7/307
D602,729 S *	10/2009	Dahlstrom	D7/309

* cited by examiner

Primary Examiner—Marianne Pandozzi

(74) *Attorney, Agent, or Firm*—Lawrence Cruz

(57) **CLAIM**

The ornamental design for a coffee maker, as shown and described.

DESCRIPTION

FIG. 1 is a perspective view of a coffee maker showing our new design;

FIG. 2 is front elevational view thereof;

FIG. 3 is a right side elevational view thereof;

FIG. 4 is a left side elevational view thereof;

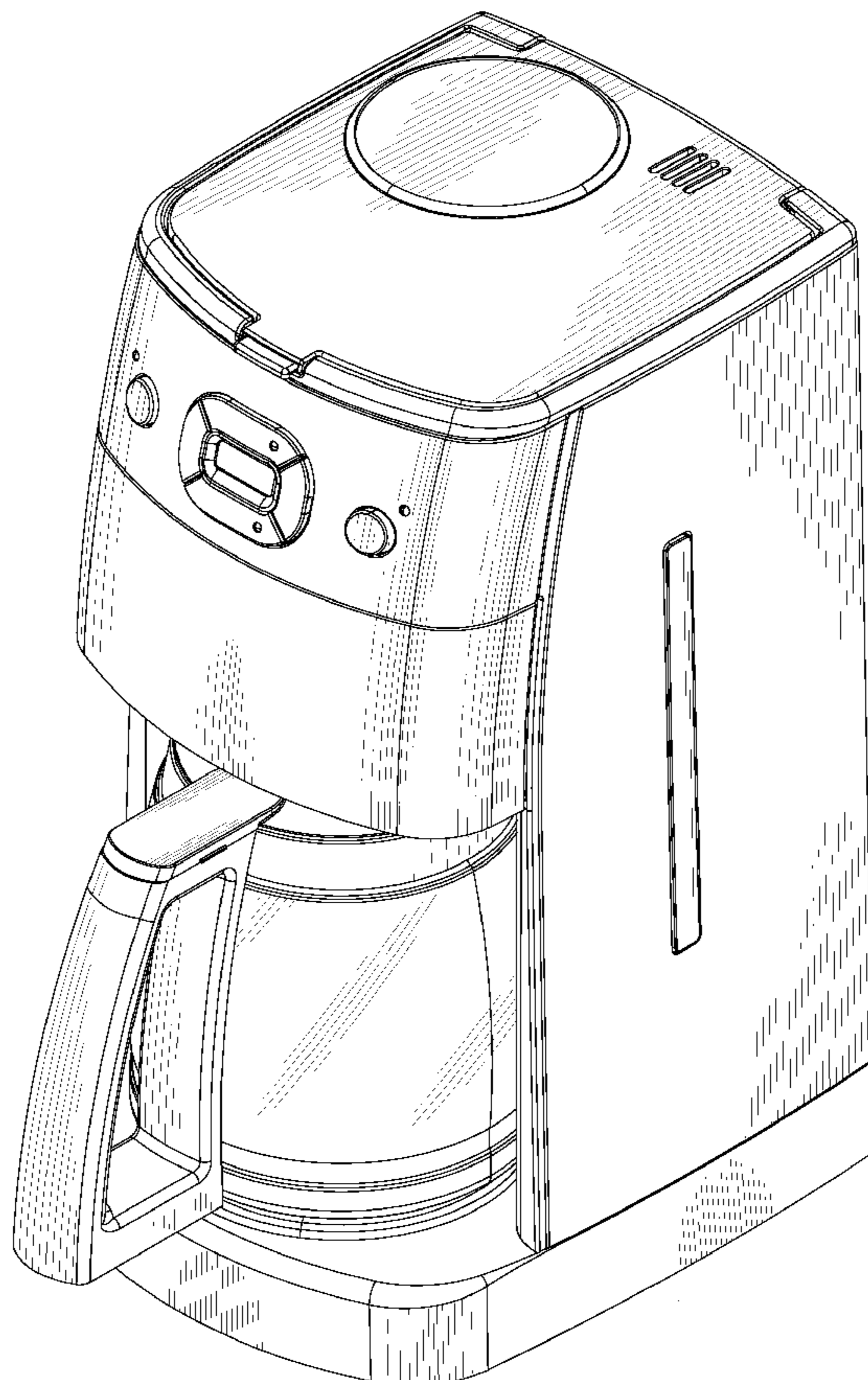
FIG. 5 is a top plan view thereof; and,

FIG. 6 is a bottom plan view thereof.

The rear of the coffee maker forms no part of the claimed design.

The broken lines are for illustrative purposes only and form no part of the claimed design.

1 Claim, 6 Drawing Sheets



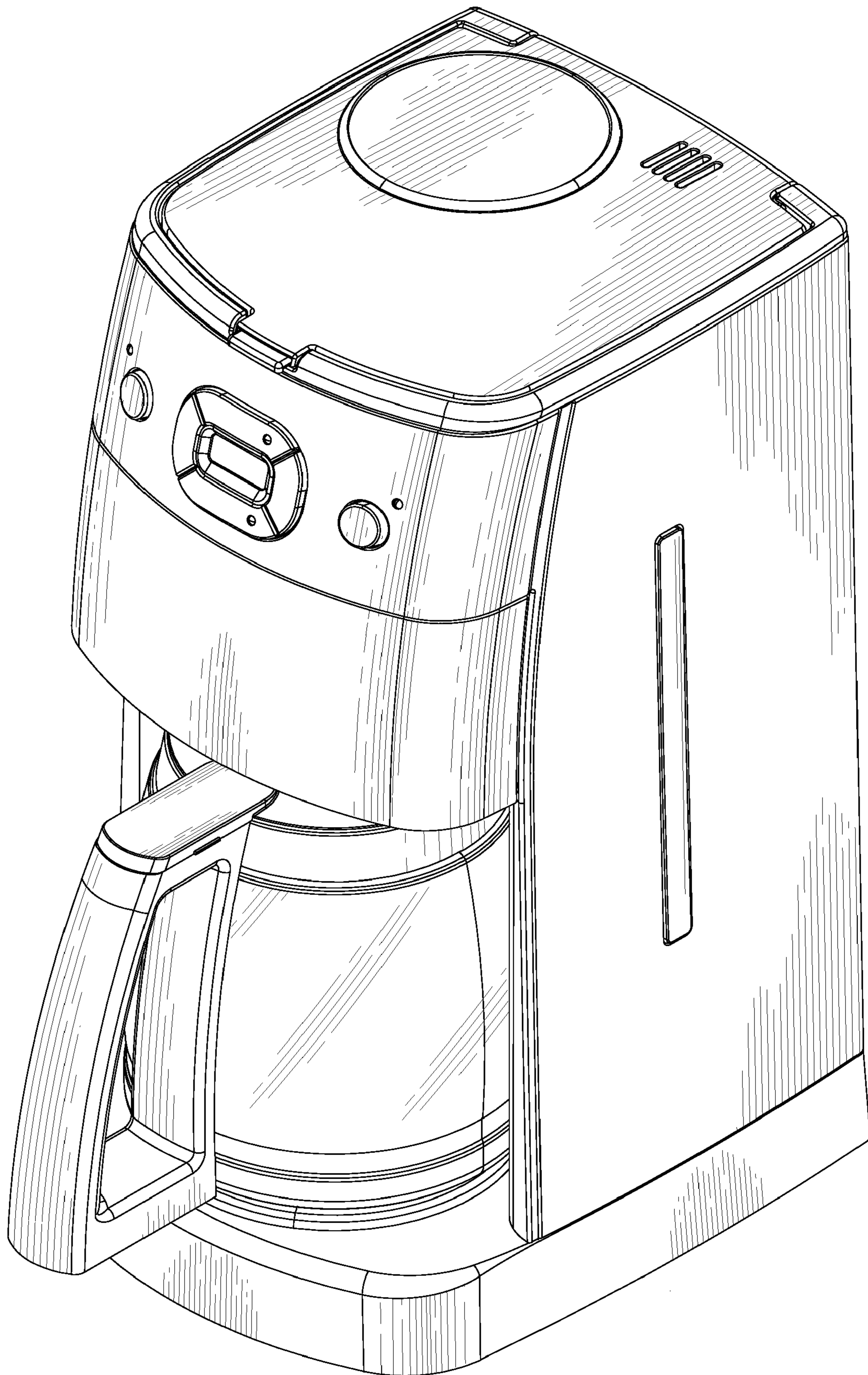


FIG. 1

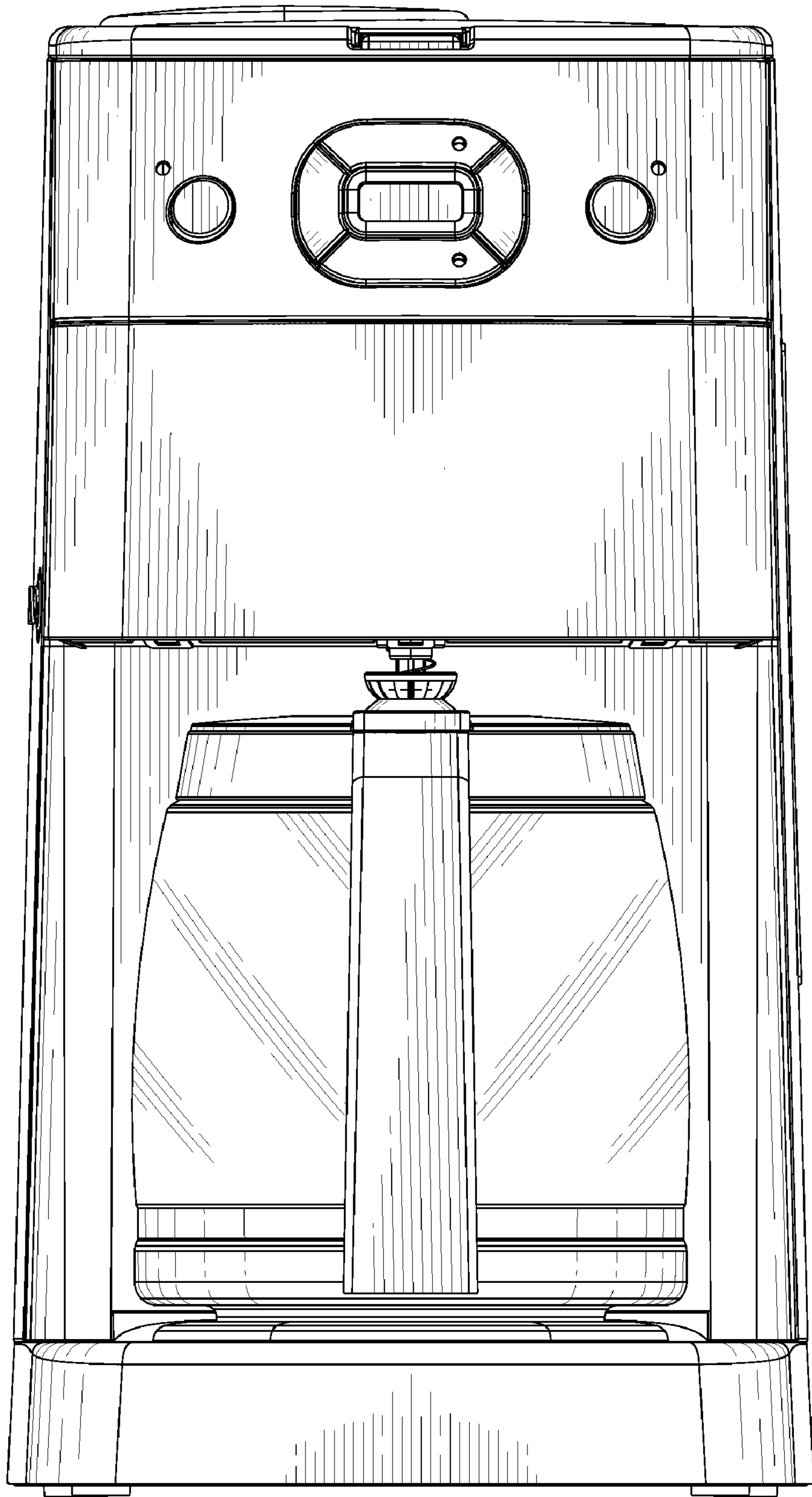


FIG. 2

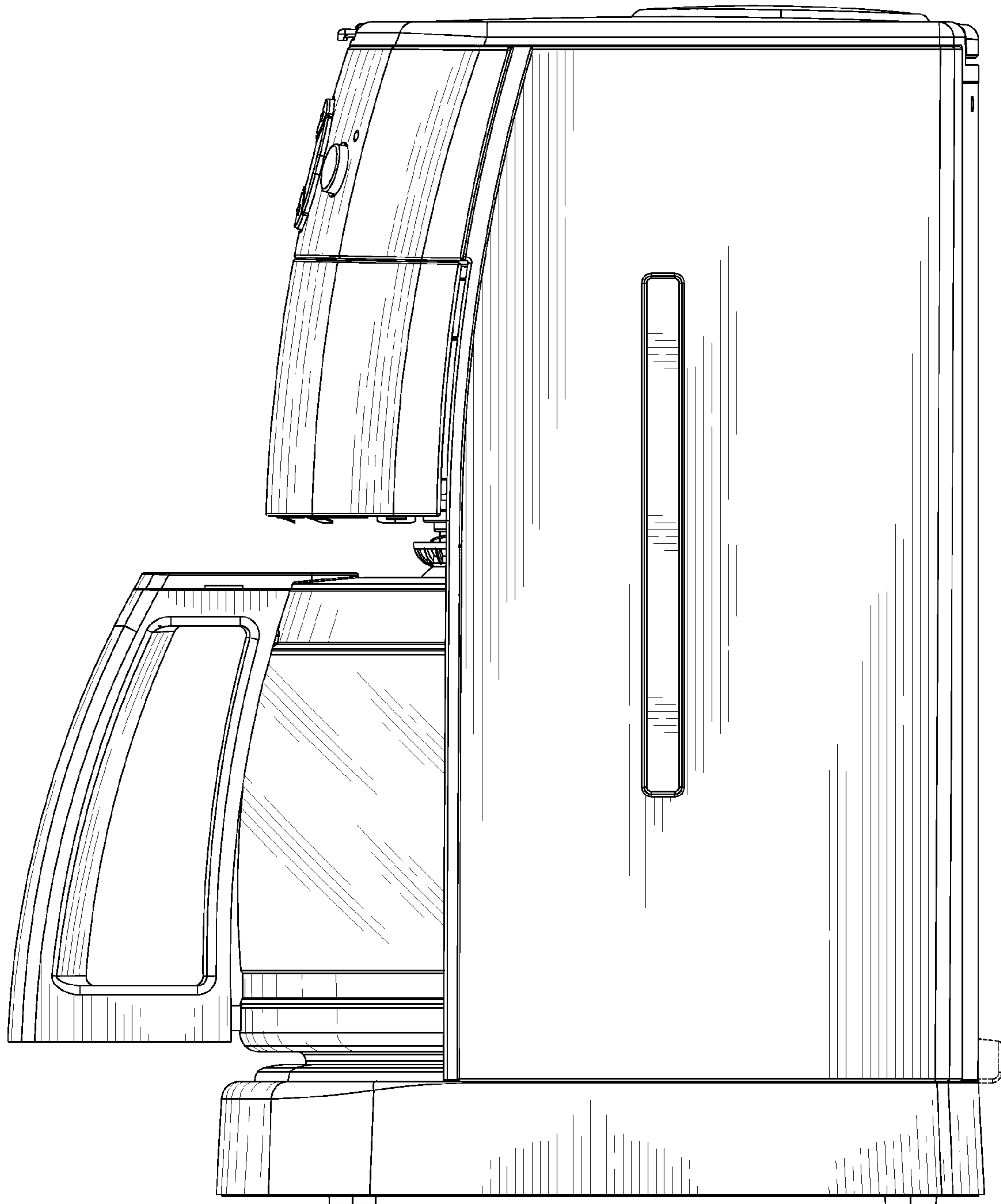


FIG. 3

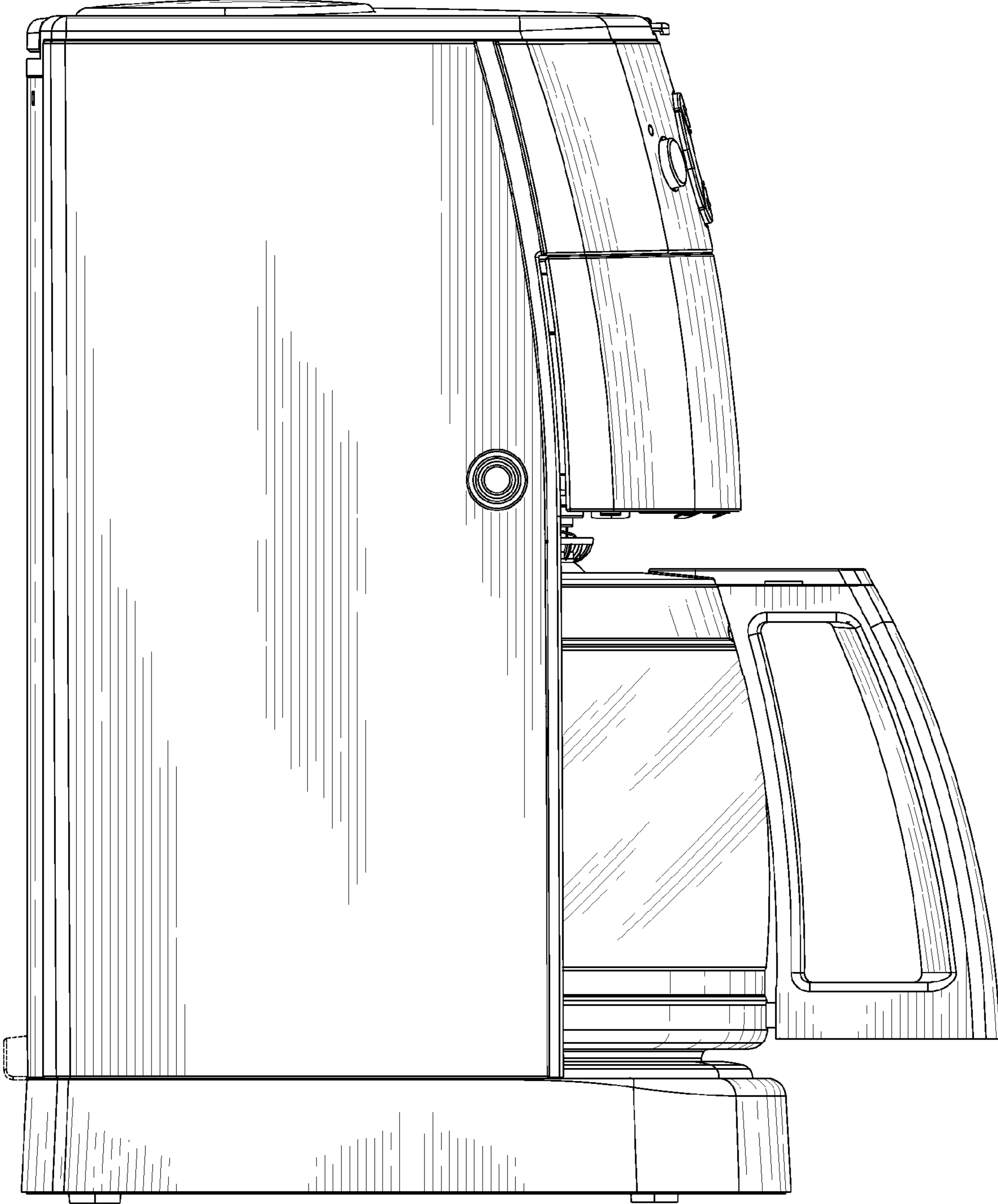


FIG. 4

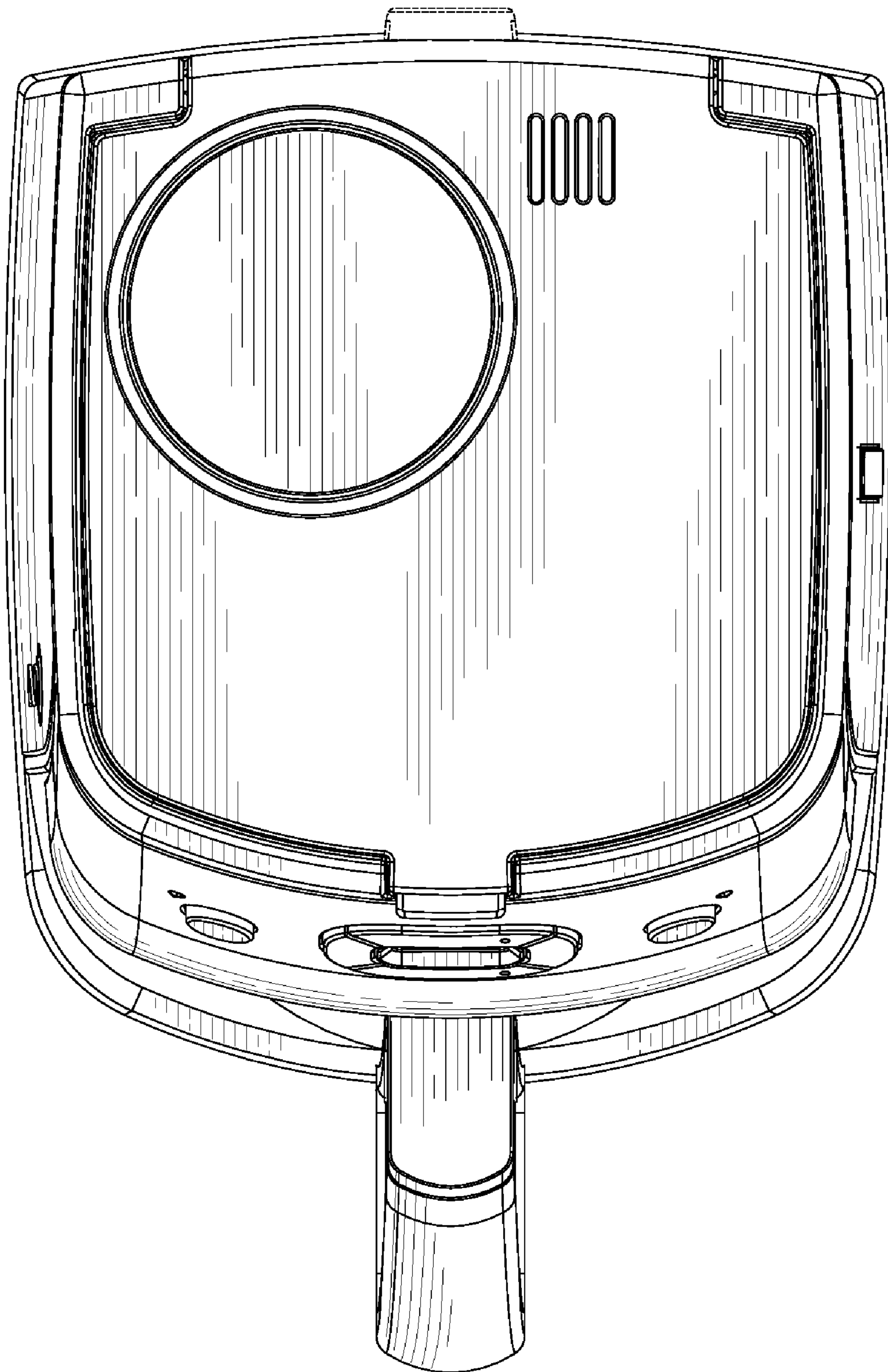


FIG. 5

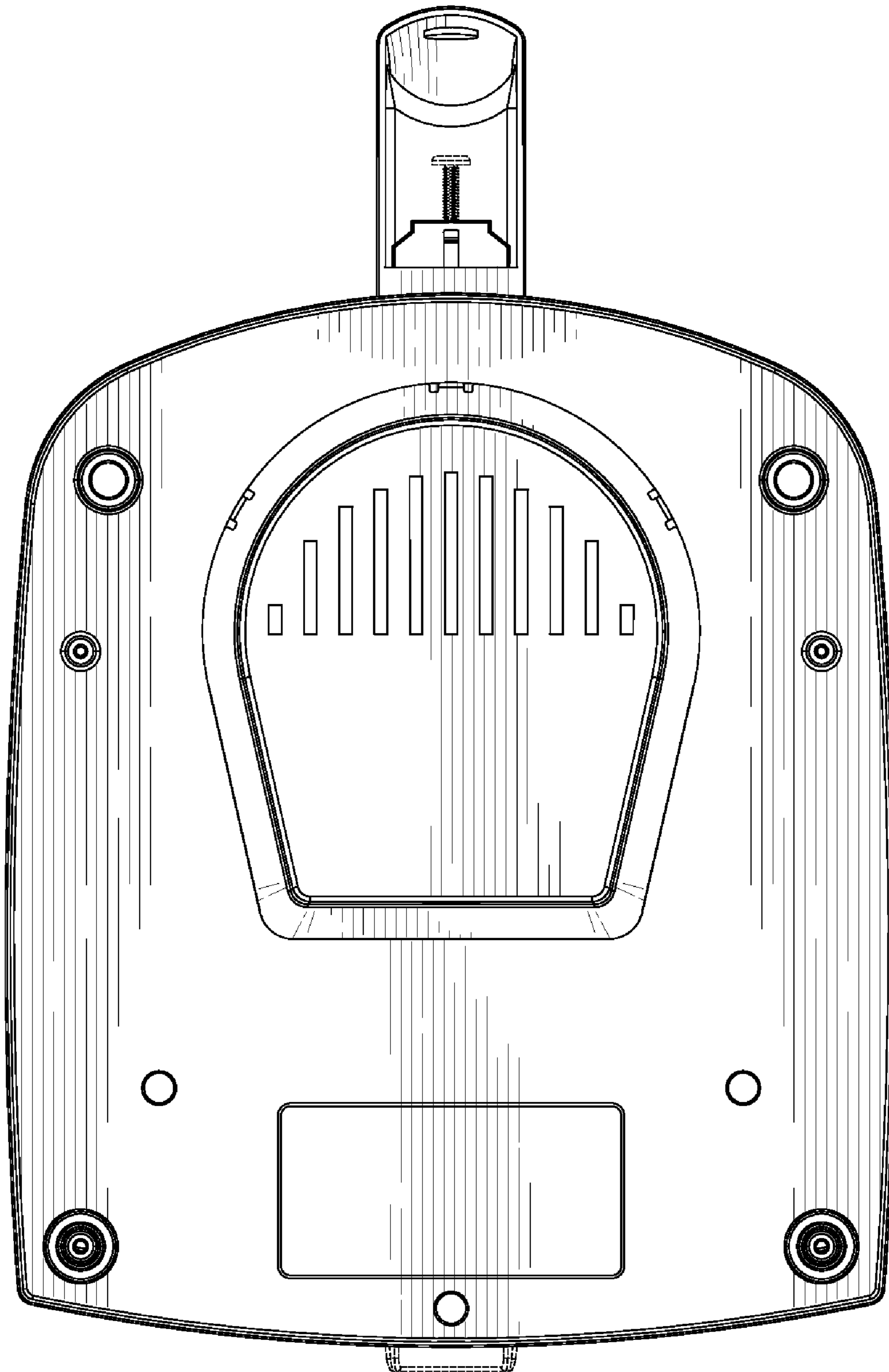


FIG. 6