



US00D625132S

(12) **United States Design Patent**  
**Schmidt et al.**

(10) **Patent No.:** **US D625,132 S**

(45) **Date of Patent:** **\*\* Oct. 12, 2010**

(54) **TRIPLE FLUID DISPENSER BRACKET WITH LOCKING MECHANISM**

D569,669 S \* 5/2008 Nichols et al. .... D6/545

\* cited by examiner

(75) Inventors: **Laurie Schmidt**, Dallas, TX (US); **John Wiseman**, Lewisville, TX (US)

*Primary Examiner*—Brian N Vinson  
(74) *Attorney, Agent, or Firm*—Howison & Arnott, L.L.P.

(73) Assignee: **Sports Solutions, Inc.**, Dallas, TX (US)

(57) **CLAIM**

(\*\*) Term: **14 Years**

The ornamental design for a triple fluid dispenser bracket with locking mechanism, as shown and described.

(21) Appl. No.: **29/356,534**

**DESCRIPTION**

(22) Filed: **Feb. 26, 2010**

(51) **LOC (9) Cl.** ..... **23-02**

FIG. 1 is a top, front, and right side perspective view of a triple fluid dispenser bracket with locking mechanism showing our new design;

(52) **U.S. Cl.** ..... **D6/545**

FIG. 2 is a bottom front, and right side perspective view thereof.

(58) **Field of Classification Search** ..... D6/542–545,  
D6/553, 567, 574; 206/77.1; 211/13.1, 86.01,  
211/87.01; 221/14, 92, 649, 146.1, 146.2,  
221/105; 222/281–282; D23/225

FIG. 3 is a front elevational view thereof;

FIG. 4 is a right side elevational view thereof;

See application file for complete search history.

FIG. 5 is a left side elevational view thereof;

FIG. 6 is a rear elevational view thereof;

(56) **References Cited**

**U.S. PATENT DOCUMENTS**

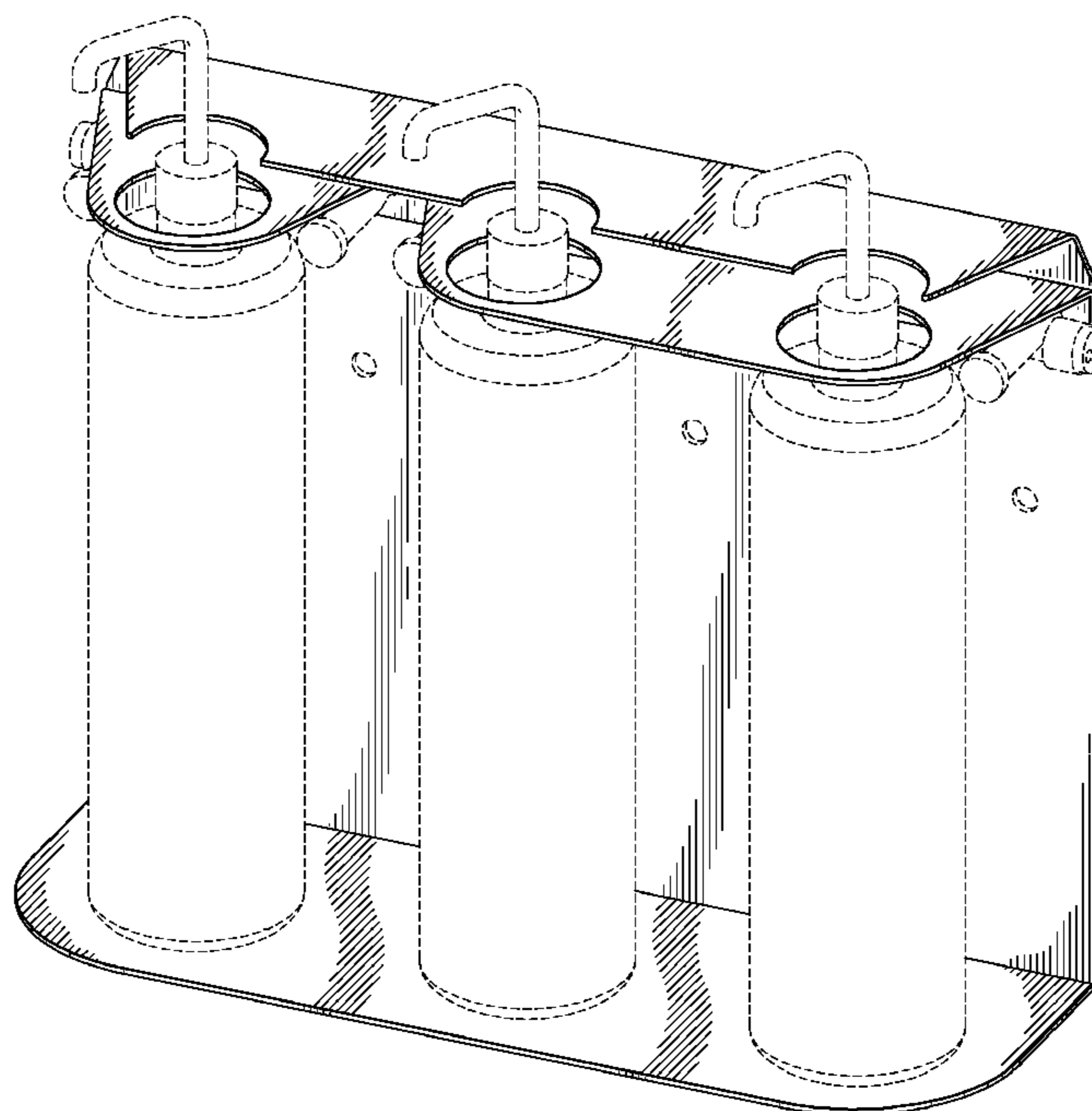
- 3,229,858 A \* 1/1966 Lesh ..... D23/225
- D328,216 S \* 7/1992 Steed ..... D6/567
- D336,196 S \* 6/1993 Gilchrist, Jr. .... D6/567
- D385,287 S \* 10/1997 Westcott ..... D6/567
- 6,345,723 B1 \* 2/2002 Blake et al. .... D6/545
- D533,742 S \* 12/2006 Matthews et al. .... D6/545
- D547,988 S \* 8/2007 Baker et al. .... D6/545

FIG. 7 is a top plan view thereof; and,

FIG. 8 is a bottom plan view thereof.

The broken-line disclosure of fluid dispensers in the views is understood to be for illustrative purposes only and forms no part of the claimed design, while the remaining broken-line disclosure is understood to represent portions of the article in which the claimed design is embodied, but which form no part of the claimed design.

**1 Claim, 6 Drawing Sheets**



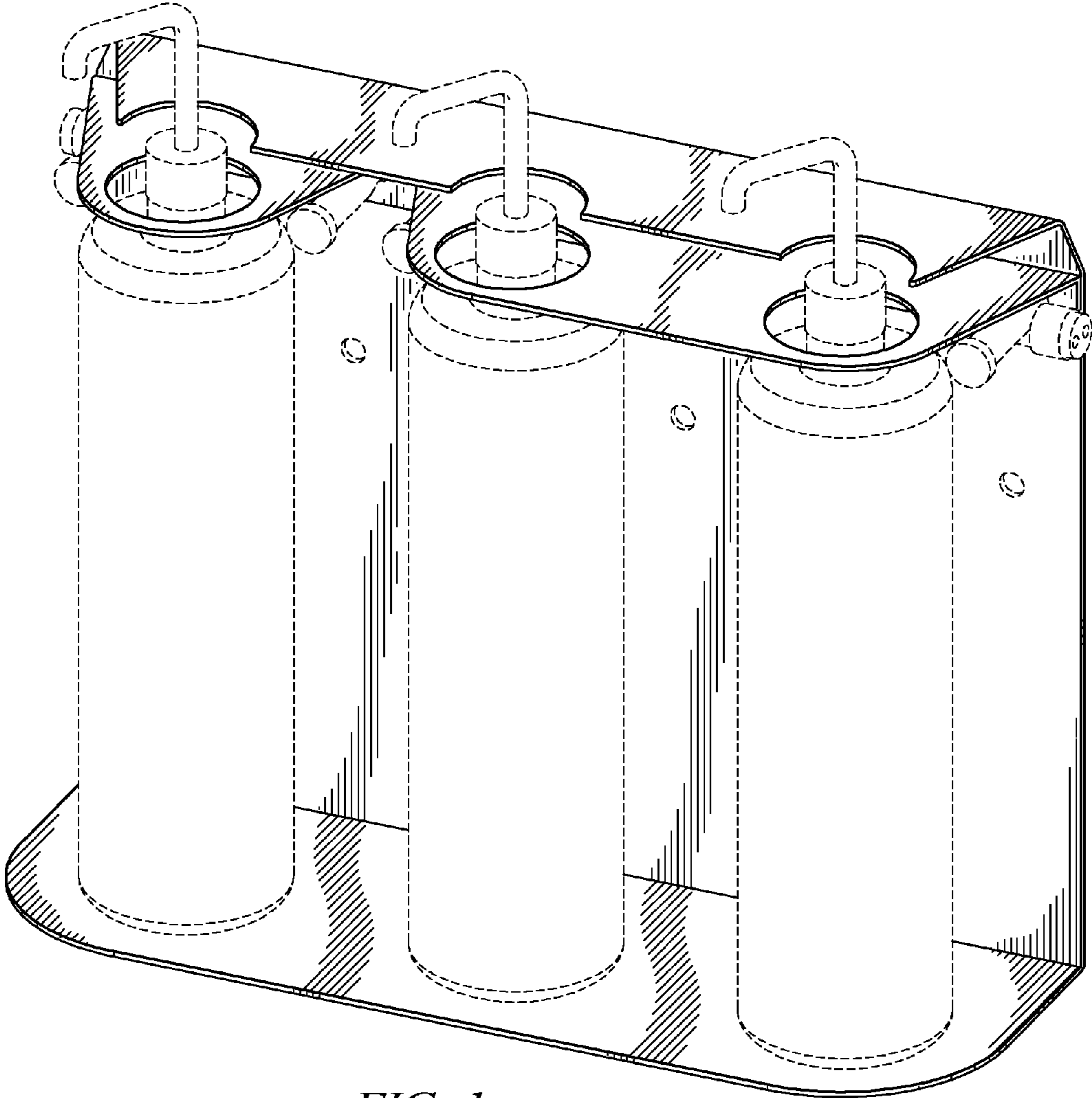


FIG. 1

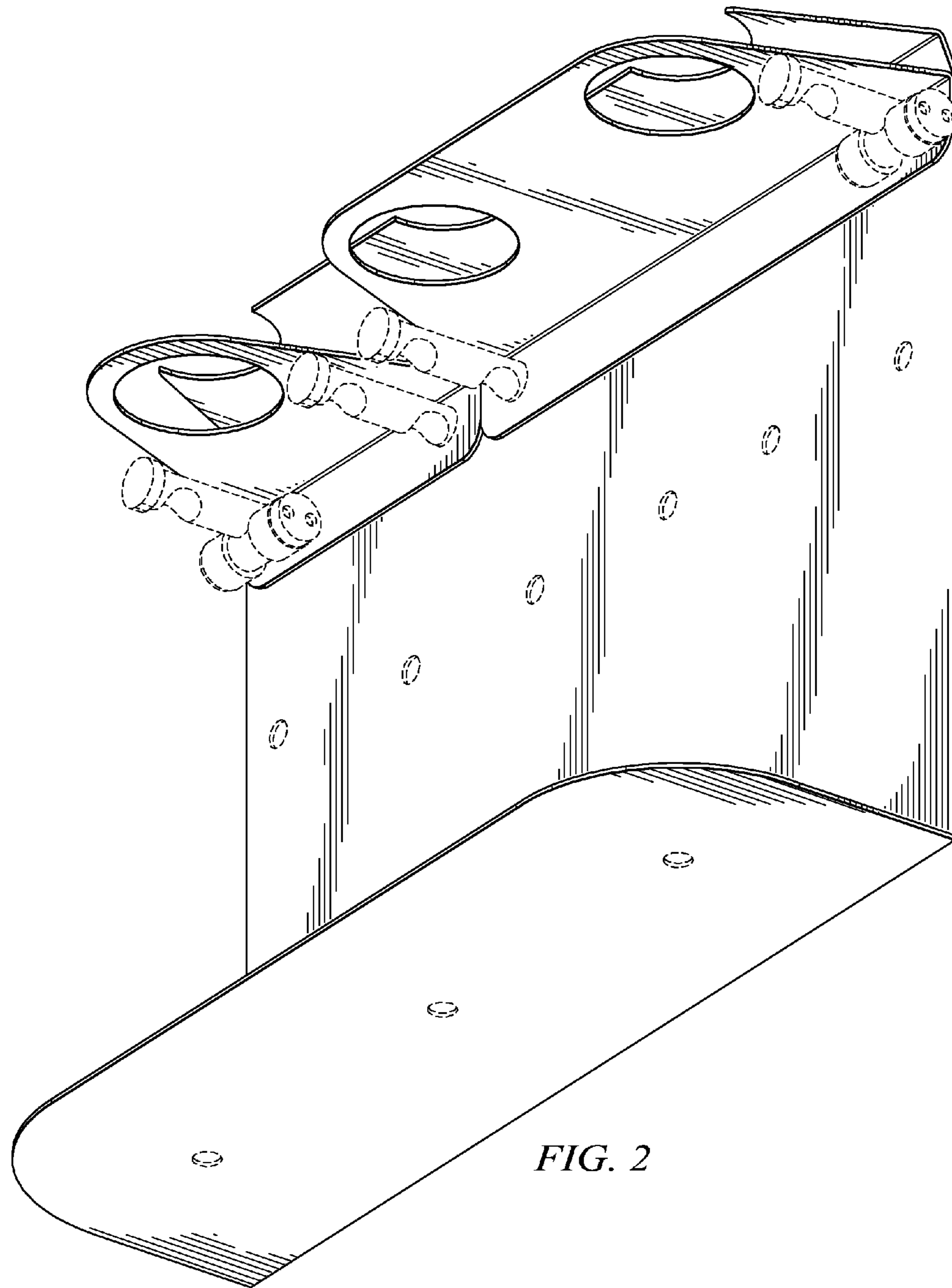
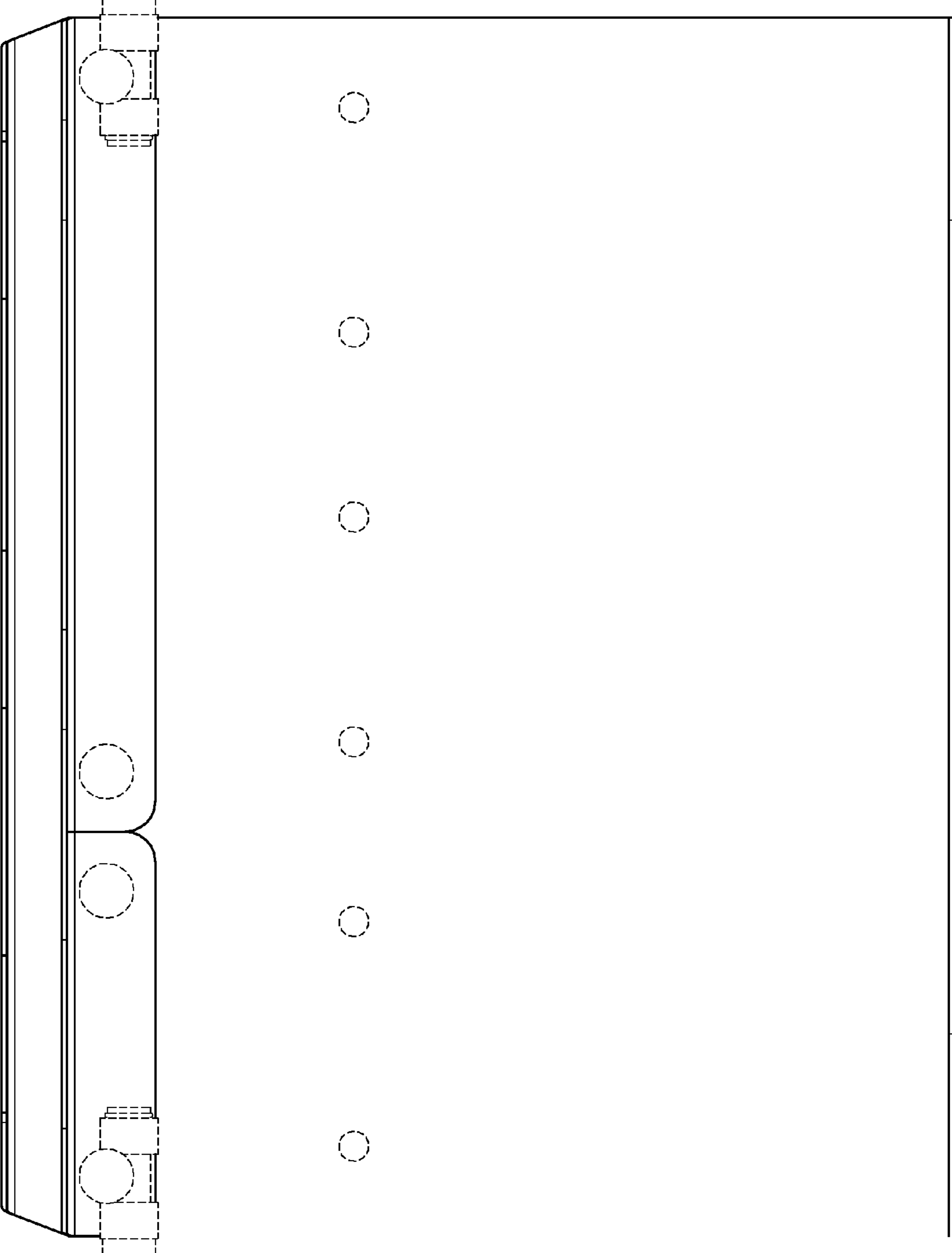
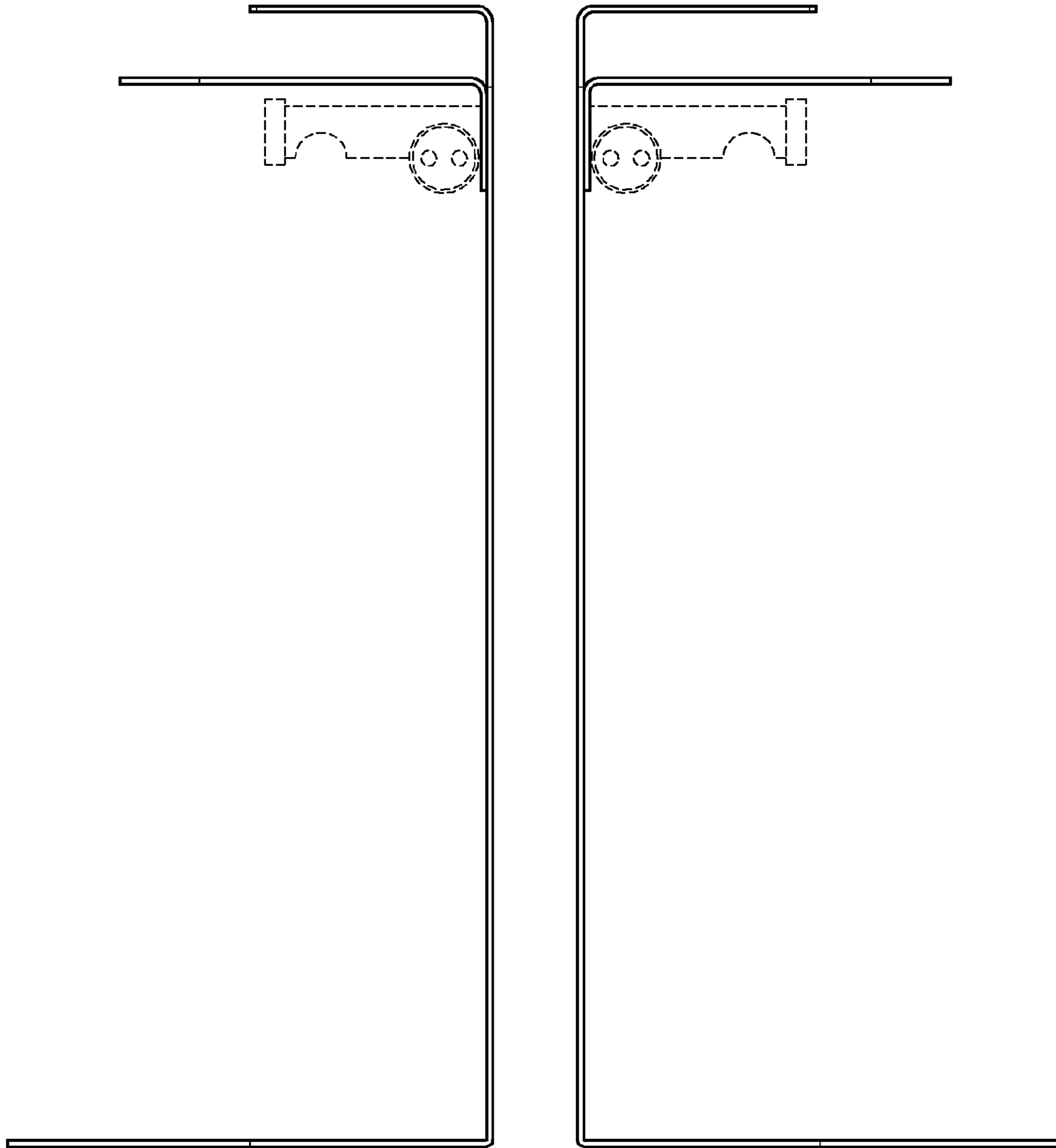


FIG. 2

FIG. 3





*FIG. 4*

*FIG. 5*

FIG. 6

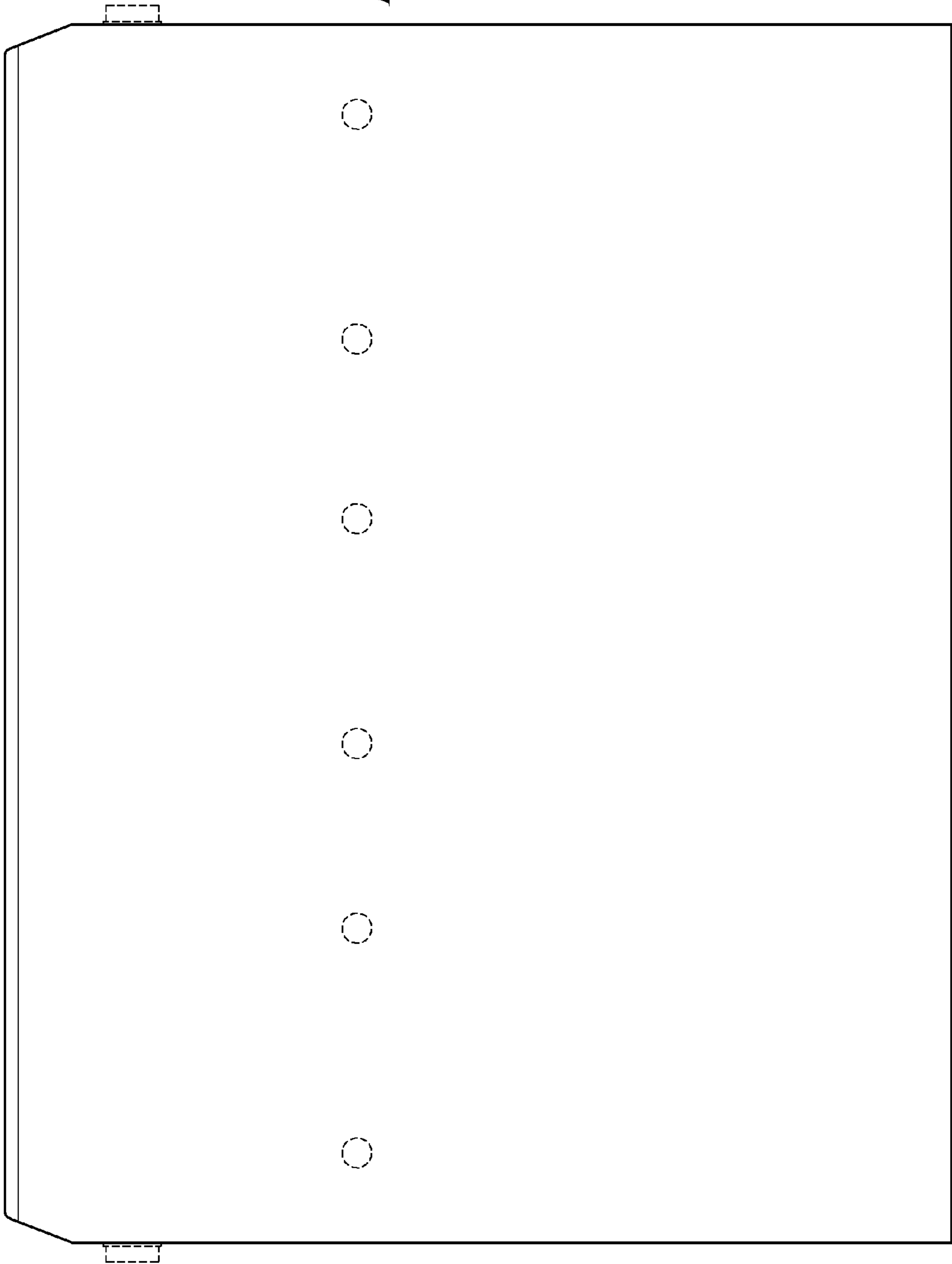


FIG. 7

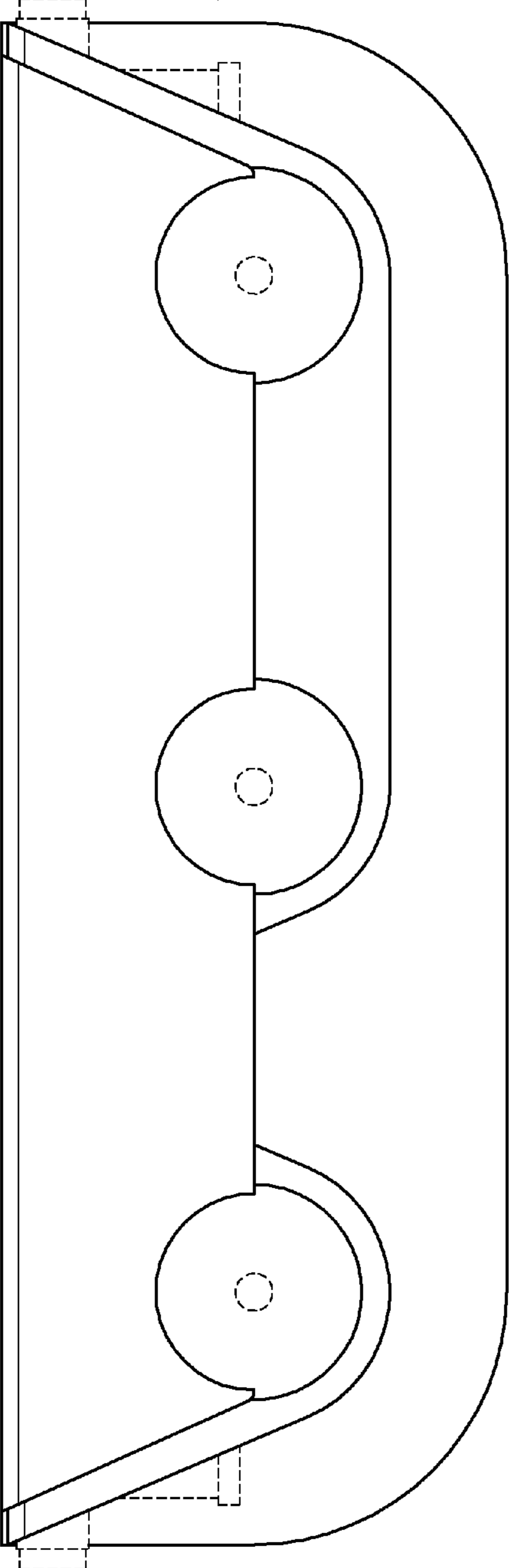


FIG. 8

