



US00D625131S

(12) **United States Design Patent**
O'Brien

(10) **Patent No.:** **US D625,131 S**
(45) **Date of Patent:** **** Oct. 12, 2010**

(54) **BODY WASH DISPENSER**

D575,376 S * 8/2008 Somerby D23/239

(76) Inventor: **Paul W. O'Brien**, 917 SR 92 N,
Tunkhannock, PA (US) 18057

* cited by examiner

Primary Examiner—Brian N Vinson

(**) Term: **14 Years**

(74) *Attorney, Agent, or Firm*—Clinton H. Wilkinson;
Charles A. Wilkinson

(21) Appl. No.: **29/322,163**

(57) **CLAIM**

(22) Filed: **Jul. 30, 2008**

I claim the ornamental design for the body wash dispenser, as shown.

(51) **LOC (9) Cl.** **23-02**

(52) **U.S. Cl.** **D6/545**

(58) **Field of Classification Search** D6/542–545;
D23/255, 238, 239, 207, 209; 222/144.5,
222/105, 129, 132, 134–136, 173, 185; 239/302–303,
239/310, 312, 379

See application file for complete search history.

DESCRIPTION

FIG. 1 is an elevation view from the left front of the dispenser of the present invention;

FIG. 2 is an oblique view thereof from the top right front;

FIG. 3 is front view thereof;

FIG. 4 is a rear view thereof;

FIG. 5 is a left side view thereof;

FIG. 6 is a right side view thereof;

FIG. 7 is a top view thereof; and,

FIG. 8 is a bottom view thereof.

(56) **References Cited**

U.S. PATENT DOCUMENTS

- 4,019,658 A * 4/1977 Consaul 222/144.5
- D258,329 S * 2/1981 Chase et al. D6/544
- D298,292 S * 11/1988 Townes D6/542
- D358,868 S * 5/1995 Hembree et al. D23/209

1 Claim, 8 Drawing Sheets

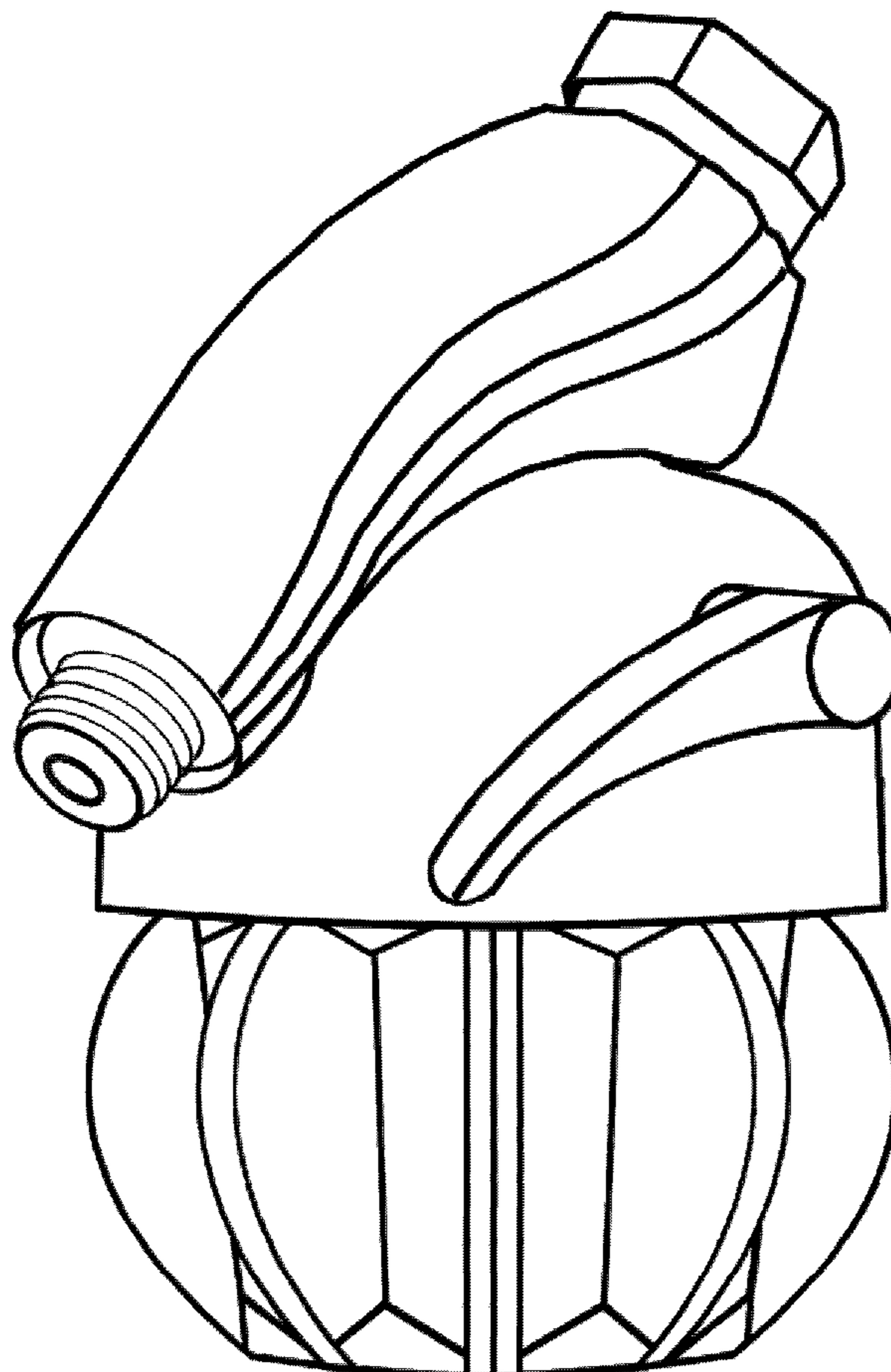


FIG. 1

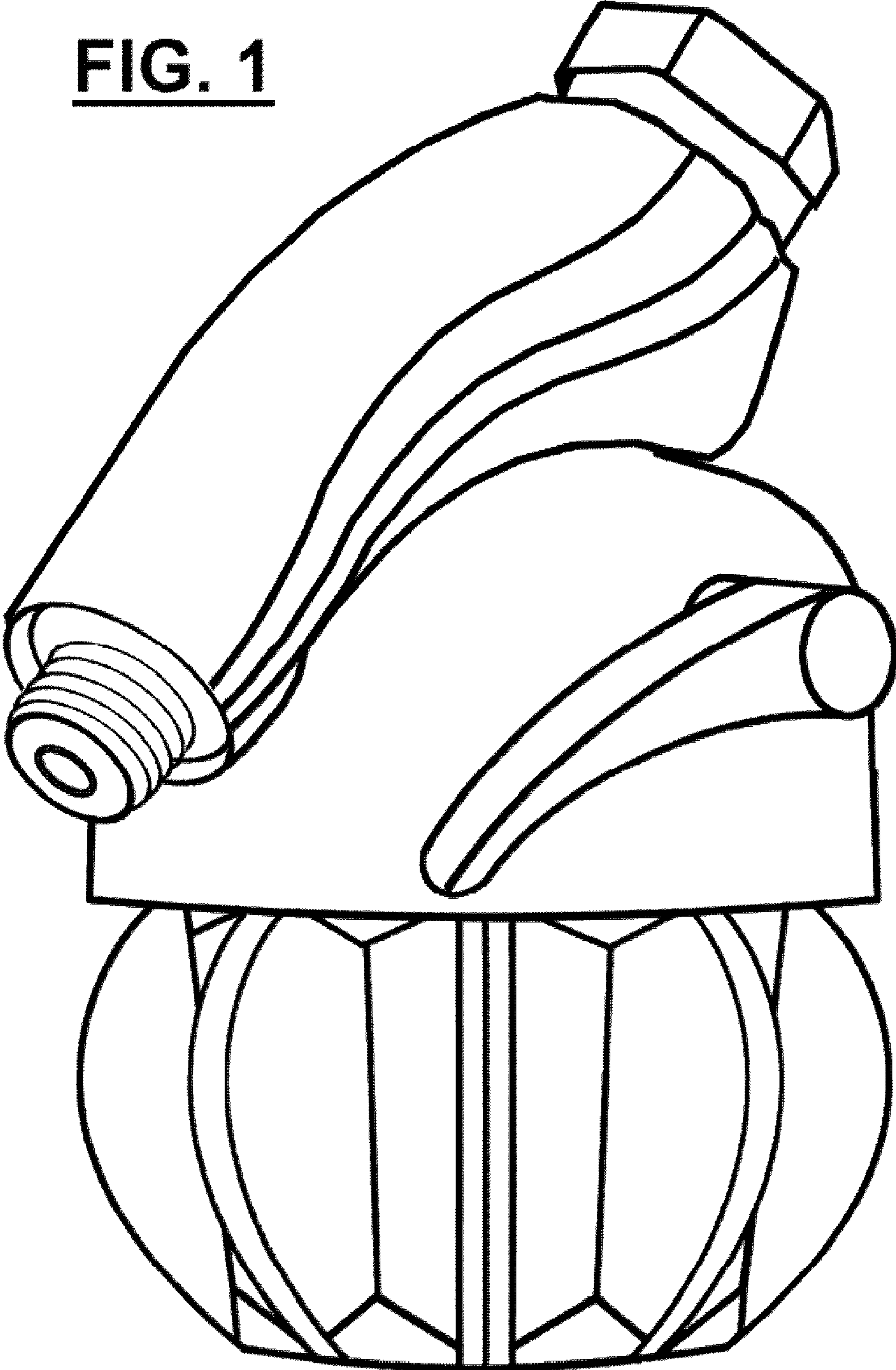
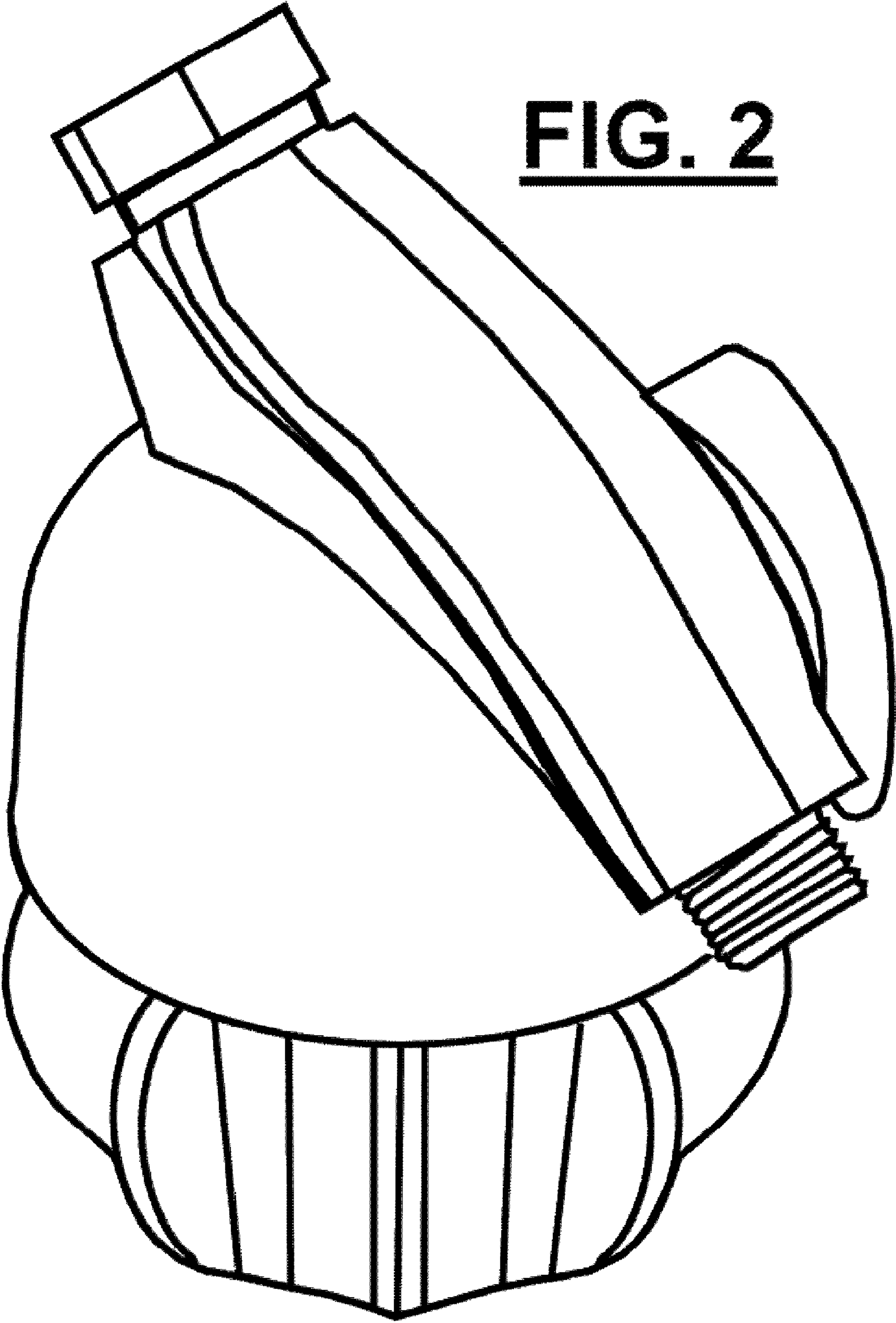


FIG. 2



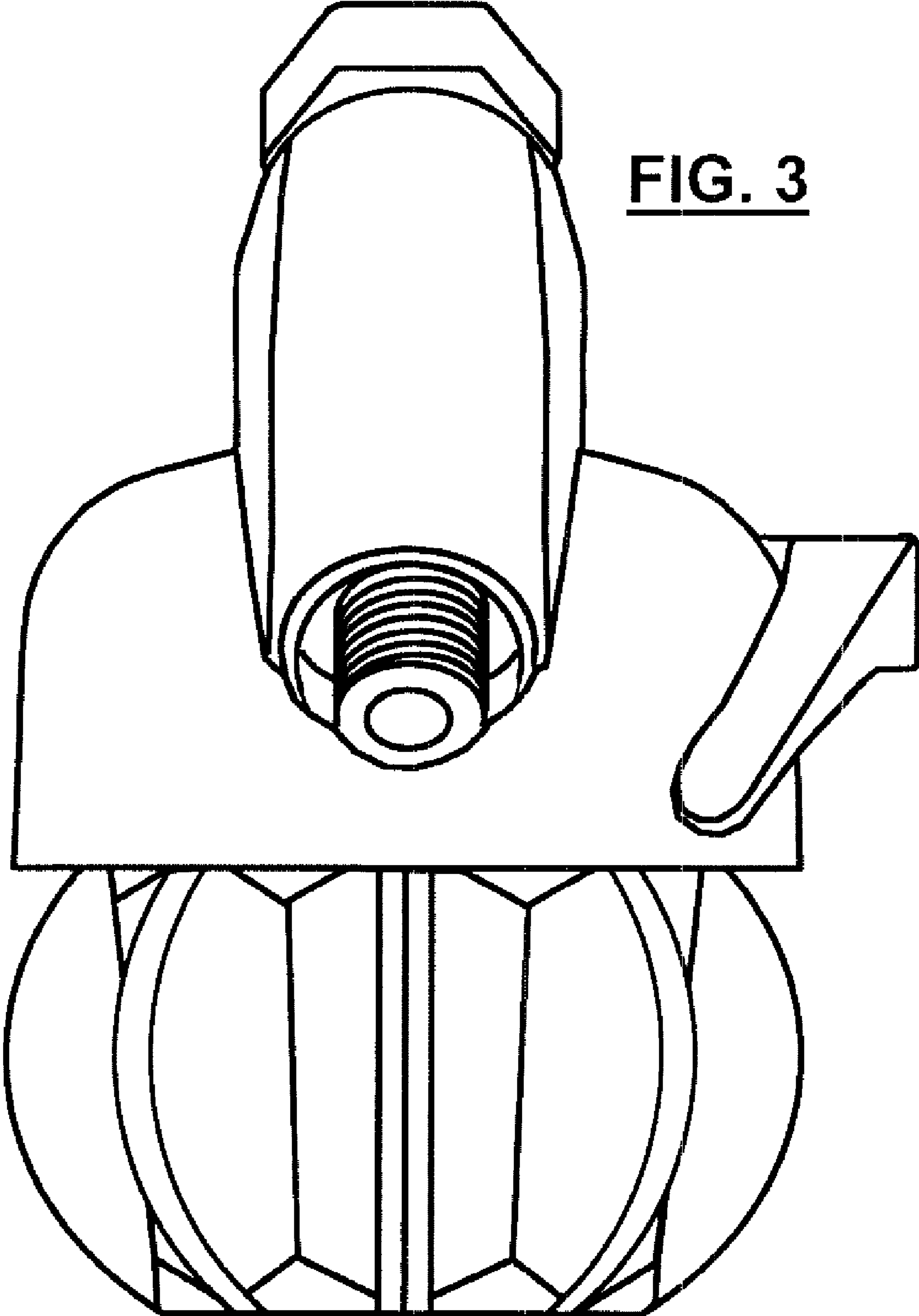


FIG. 3

FIG. 4

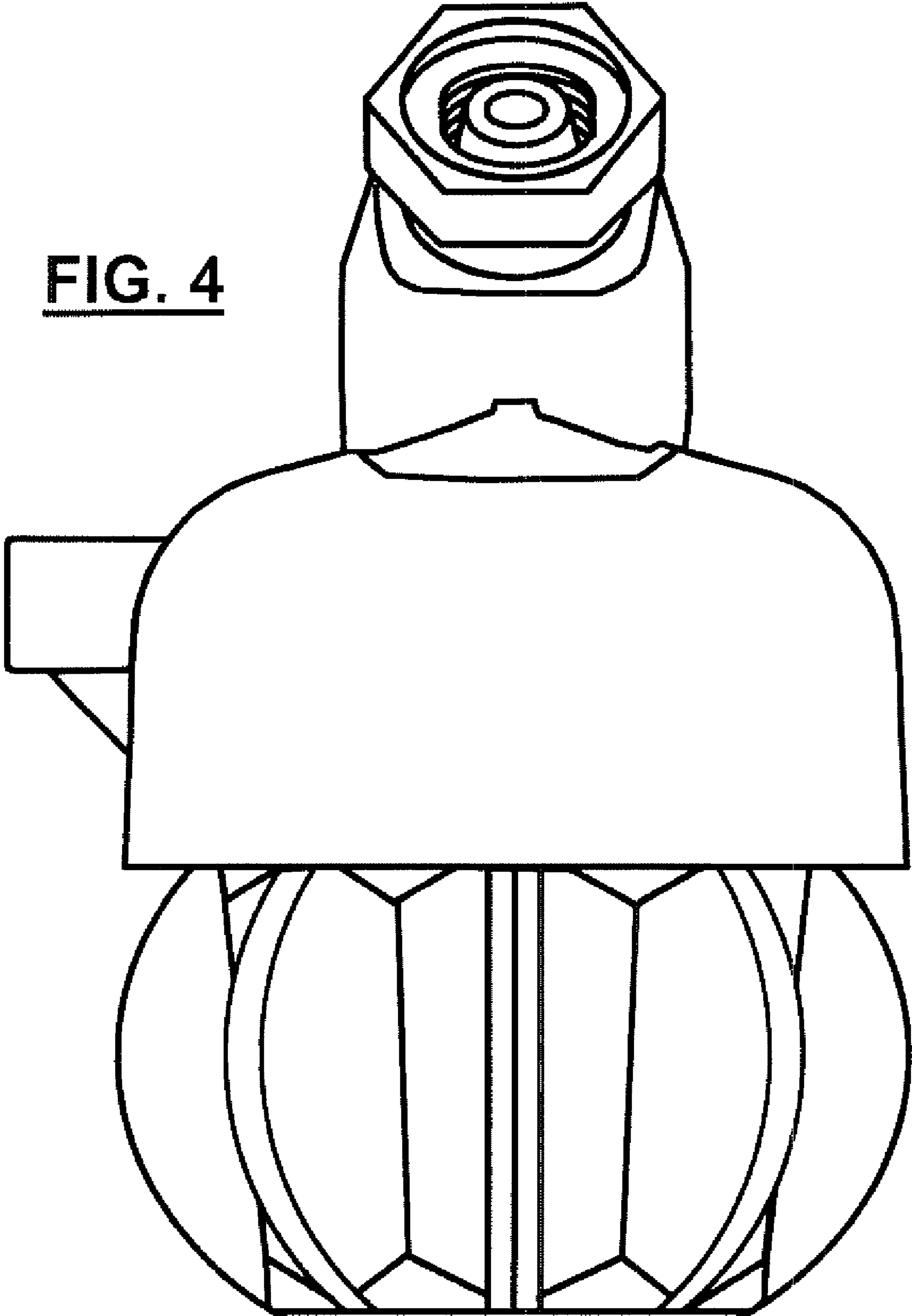


FIG. 5

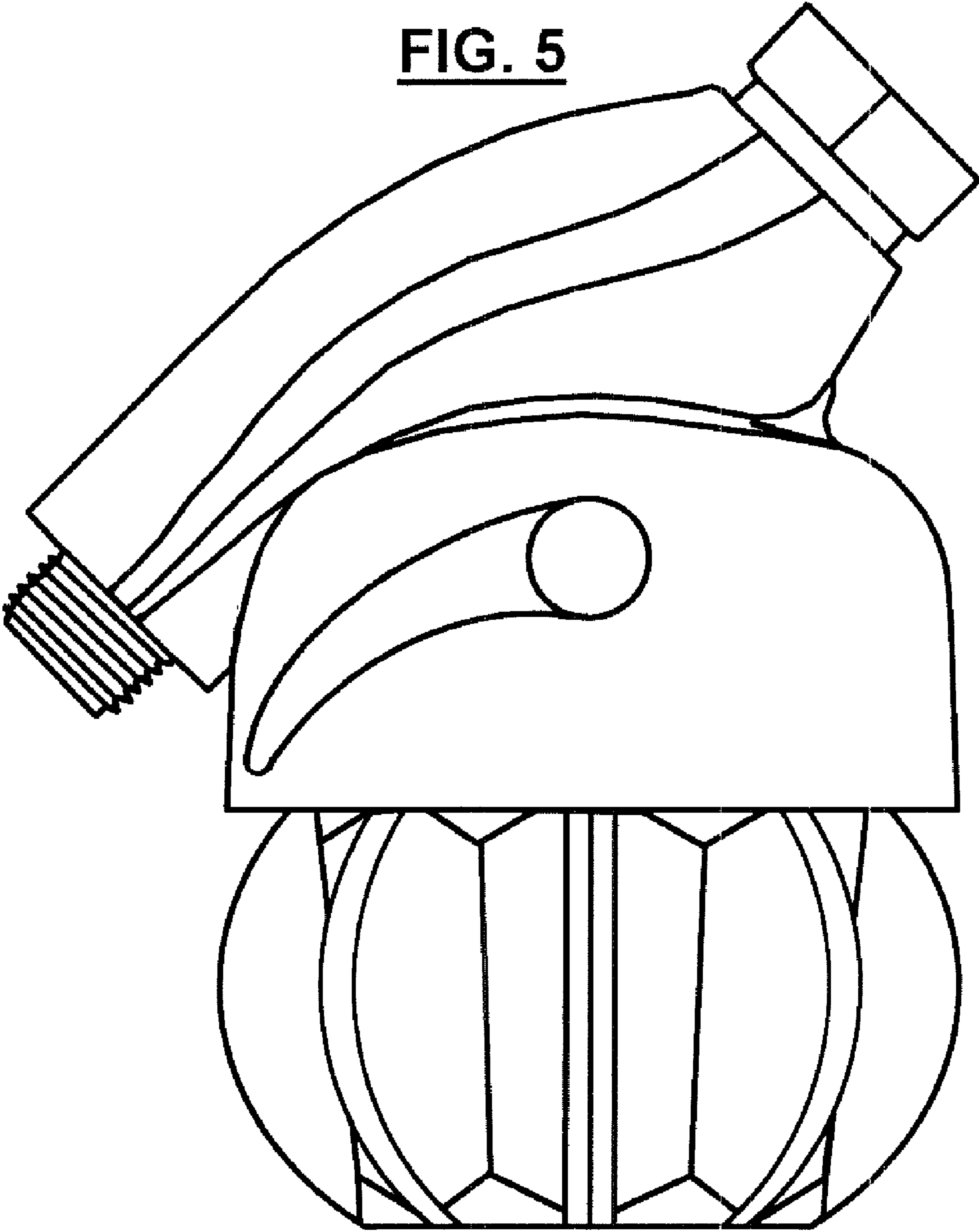


FIG. 6

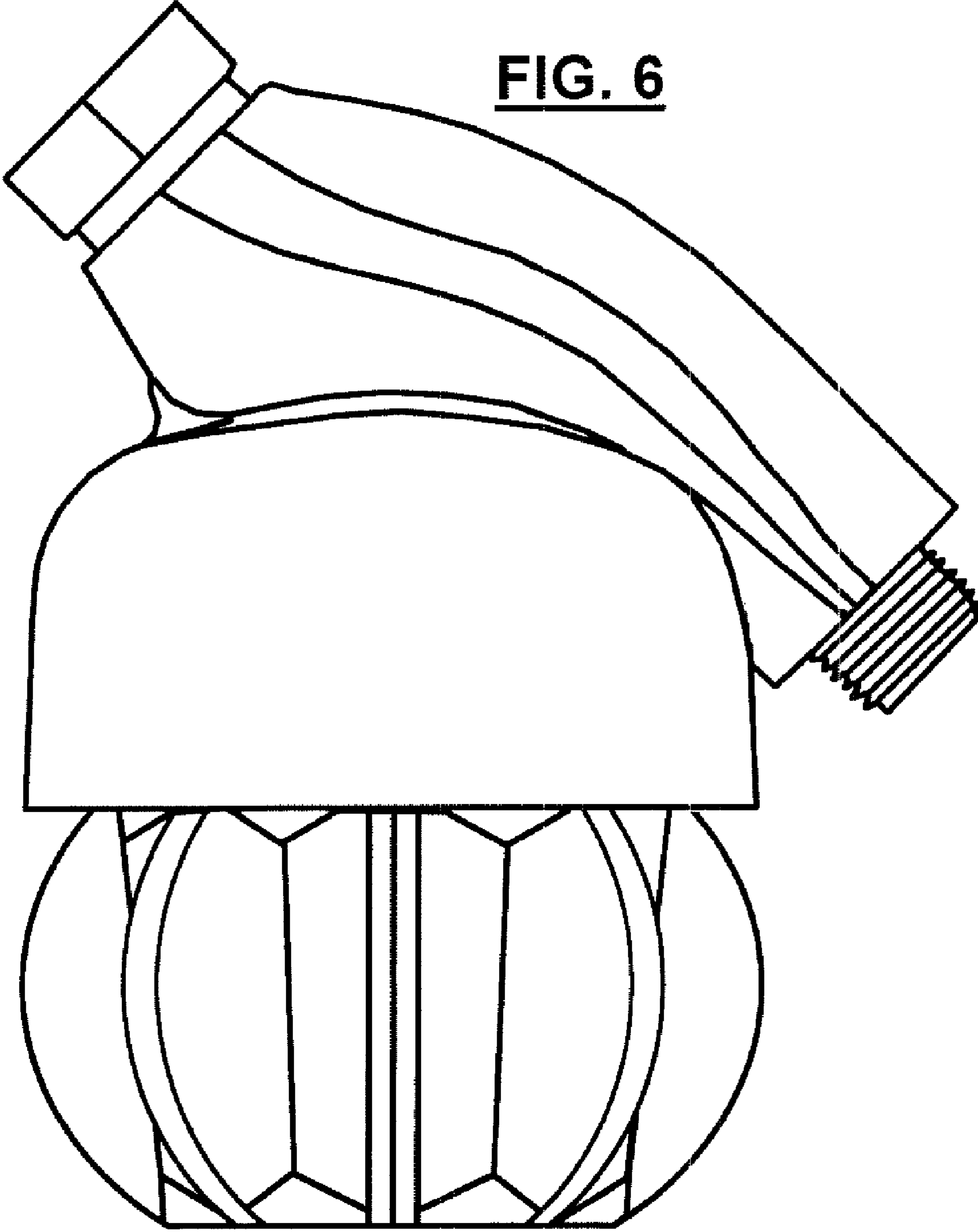
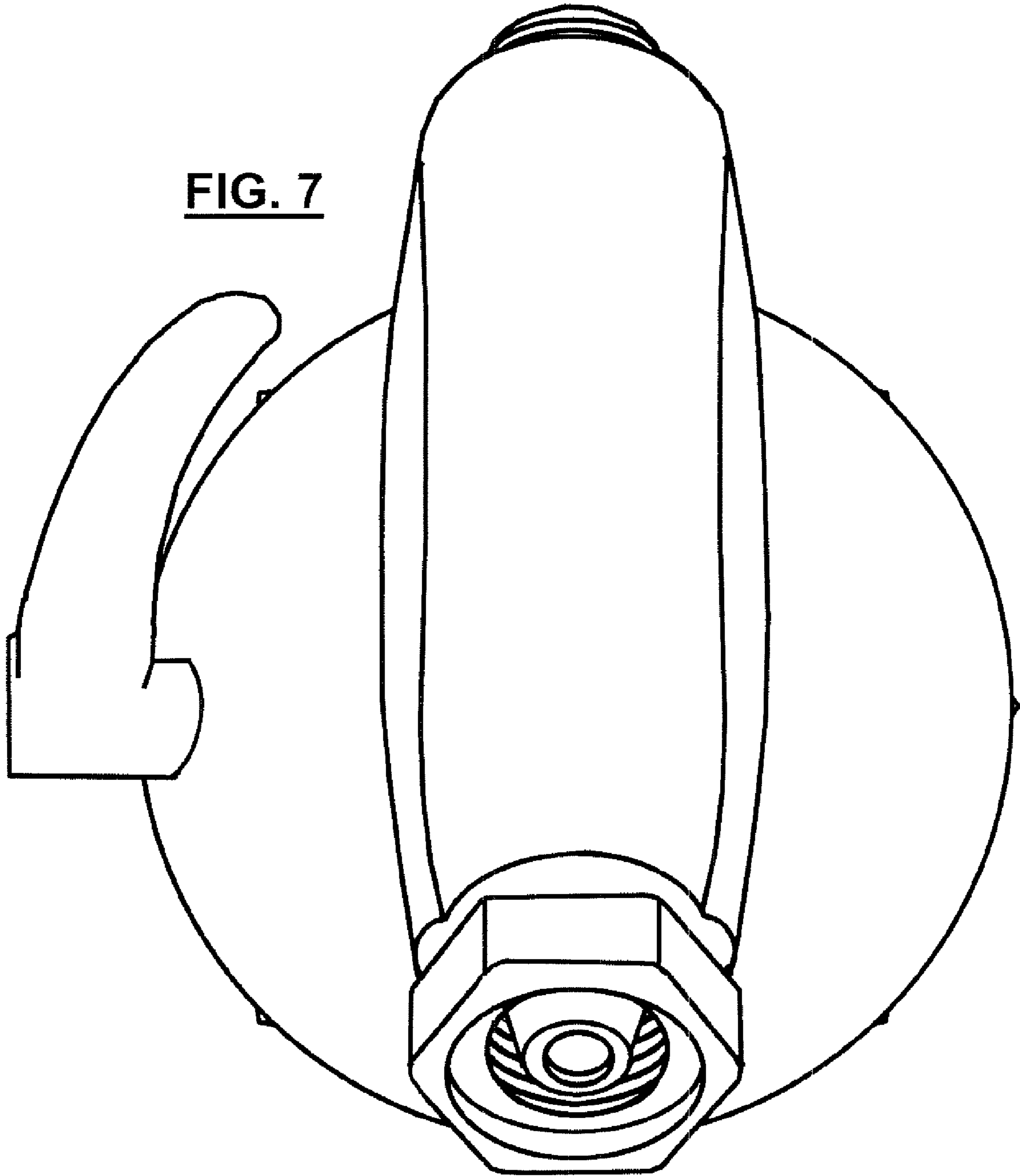


FIG. 7



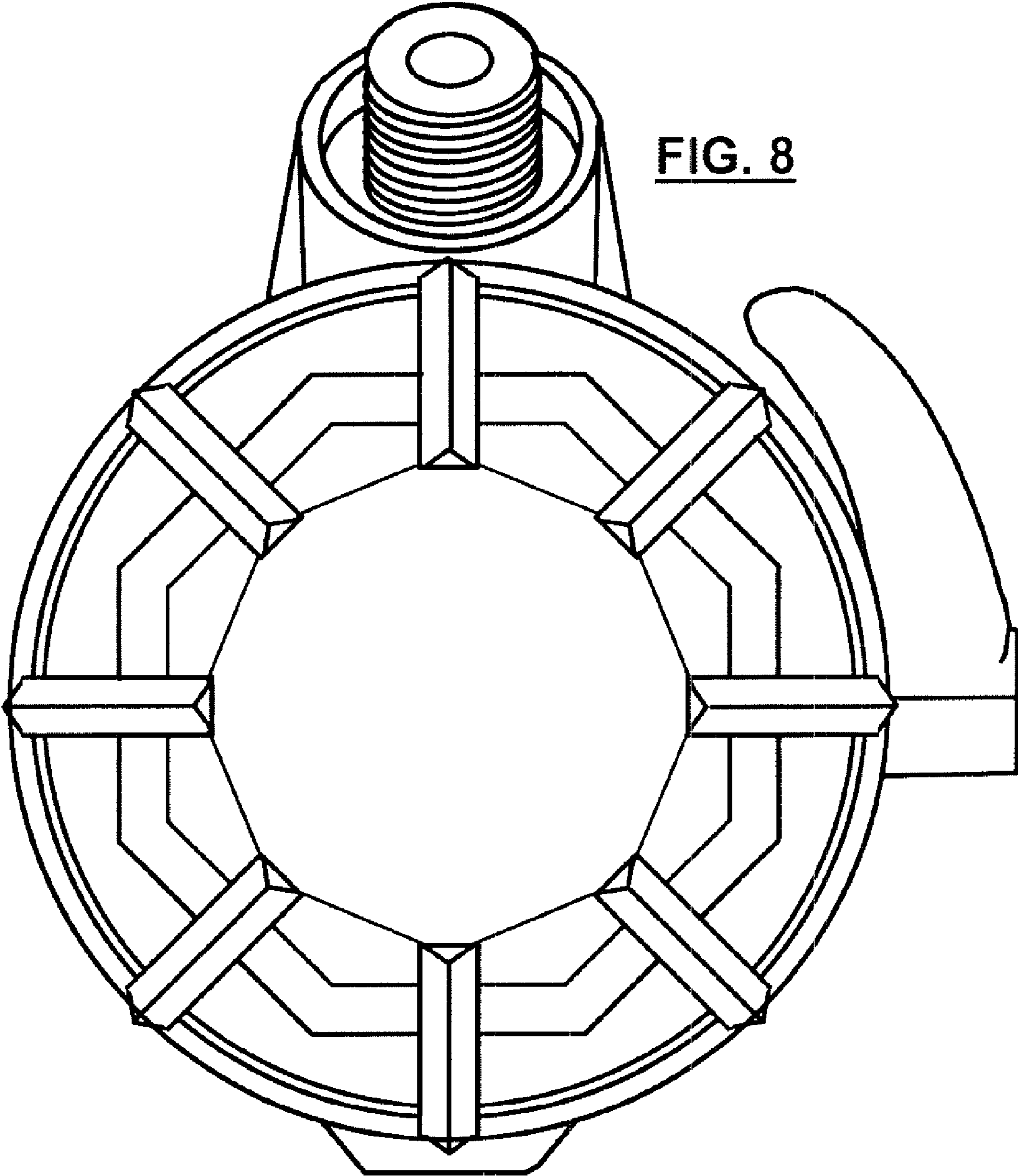


FIG. 8