

US00D625130S

(12) **United States Design Patent**
Szczepanowski et al.

(10) **Patent No.:** **US D625,130 S**

(45) **Date of Patent:** **** *Oct. 12, 2010**

(54) **RAZOR STORAGE DEVICE**

(75) Inventors: **Andrew Anthony Szczepanowski**,
North Attleboro, MA (US); **Jennifer**
Ruth Kinard, Cambridge, MA (US)

(73) Assignee: **The Gillette Company**, Boston, MA
(US)

(*) Notice: This patent is subject to a terminal dis-
claimer.

(**) Term: **14 Years**

(21) Appl. No.: **29/343,623**

(22) Filed: **Sep. 16, 2009**

(51) **LOC (9) Cl.** **28-03**

(52) **U.S. Cl.** **D6/526**

(58) **Field of Classification Search** D6/526,
D6/524, 540; 211/13.1, 70.6, 87.01, 89.01;
248/200, 205.5, 309.1, 314, 127, 176.1; D9/749
See application file for complete search history.

(56) **References Cited**

U.S. PATENT DOCUMENTS

4,008,808	A	2/1977	Ramsay	
D251,970	S *	5/1979	Fujita	D14/229
4,566,597	A	1/1986	Caputo et al.	
4,773,158	A	9/1988	Kertzman	
D335,990	S *	6/1993	Lizanetz et al.	D6/526
D370,375	S *	6/1996	Murgida et al.	D6/526
5,623,955	A	4/1997	Sewell	
7,040,024	B2	5/2006	Lukan et al.	
D533,740	S	12/2006	Dombrowski	

D547,582	S *	7/2007	Lukan	D6/526
D566,361	S *	4/2008	Snell	D32/55
D571,591	S *	6/2008	Ramm et al.	D6/526
D574,651	S *	8/2008	Wonderley et al.	D6/526
2007/0017833	A1	1/2007	Lukan	

FOREIGN PATENT DOCUMENTS

GB	2107175	A	4/1983
GB	2160087	A	12/1985

* cited by examiner

Primary Examiner—Brian N Vinson
(74) *Attorney, Agent, or Firm*—Dara M. Kendall; Kevin C.
Johnson; Steven W. Miller

(57) **CLAIM**

The ornamental design for a razor storage device, as shown
and described.

DESCRIPTION

FIG. 1 is a perspective view of a razor storage device of the
present invention;

FIG. 2 is a front elevational view thereof;

FIG. 3 is rear elevational view thereof;

FIG. 4 is a left side elevational view thereof;

FIG. 5 is a right side elevational view thereof;

FIG. 6 is a top plan view thereof; and,

FIG. 7 is a bottom plan view thereof.

The broken lines are shown for illustrative purposes only and
form no part of the claimed design.

1 Claim, 6 Drawing Sheets

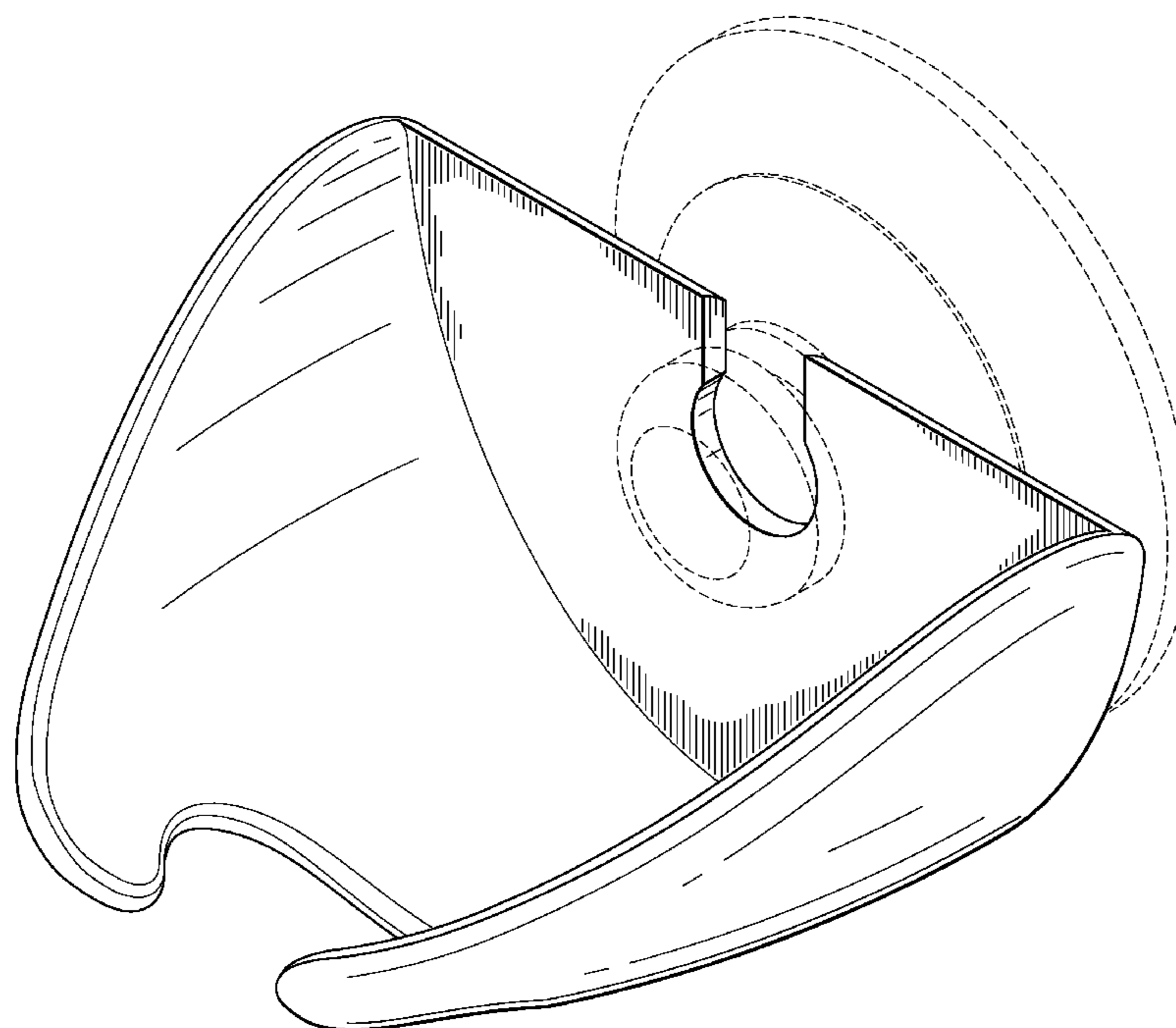
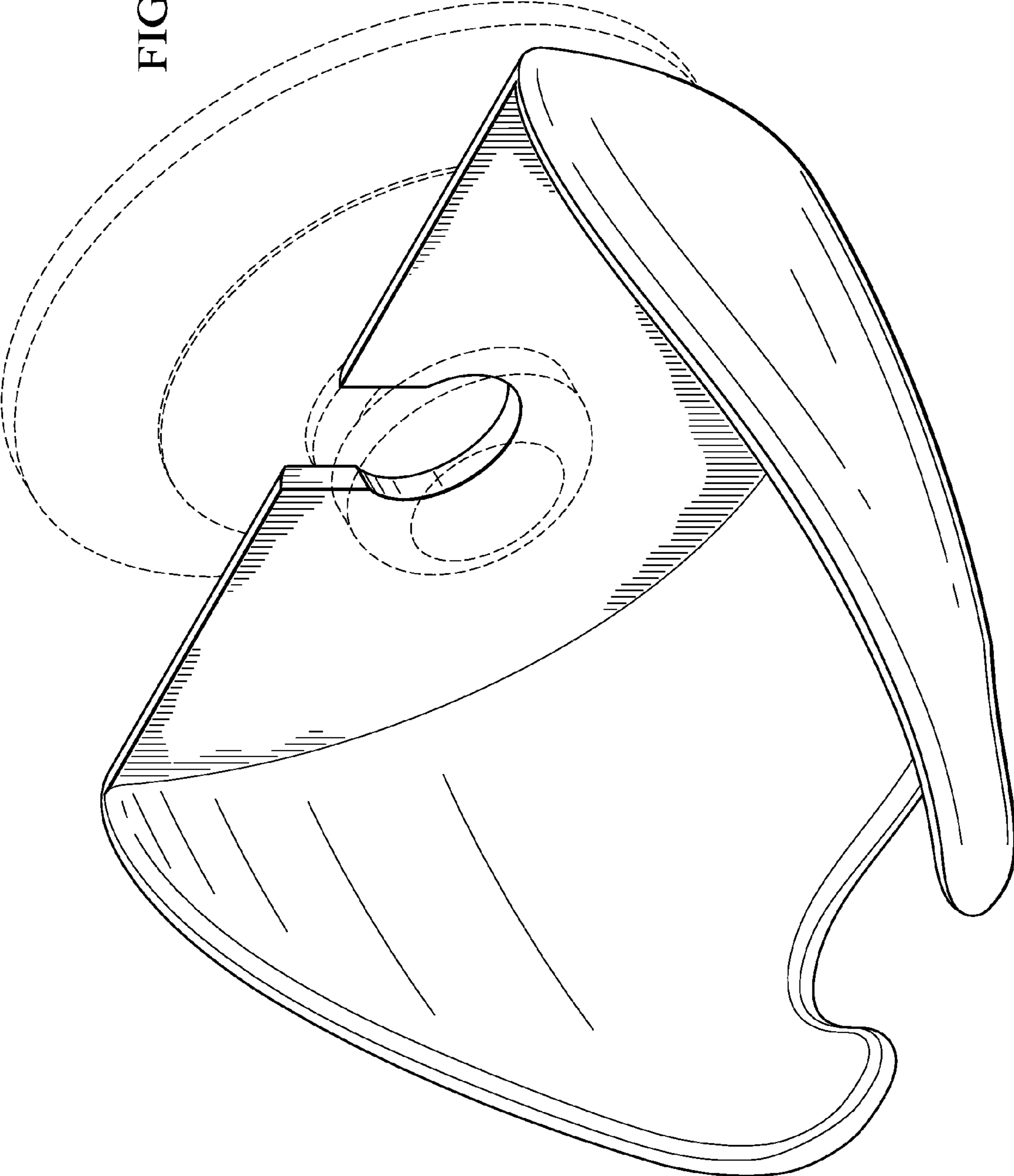


FIG. 1



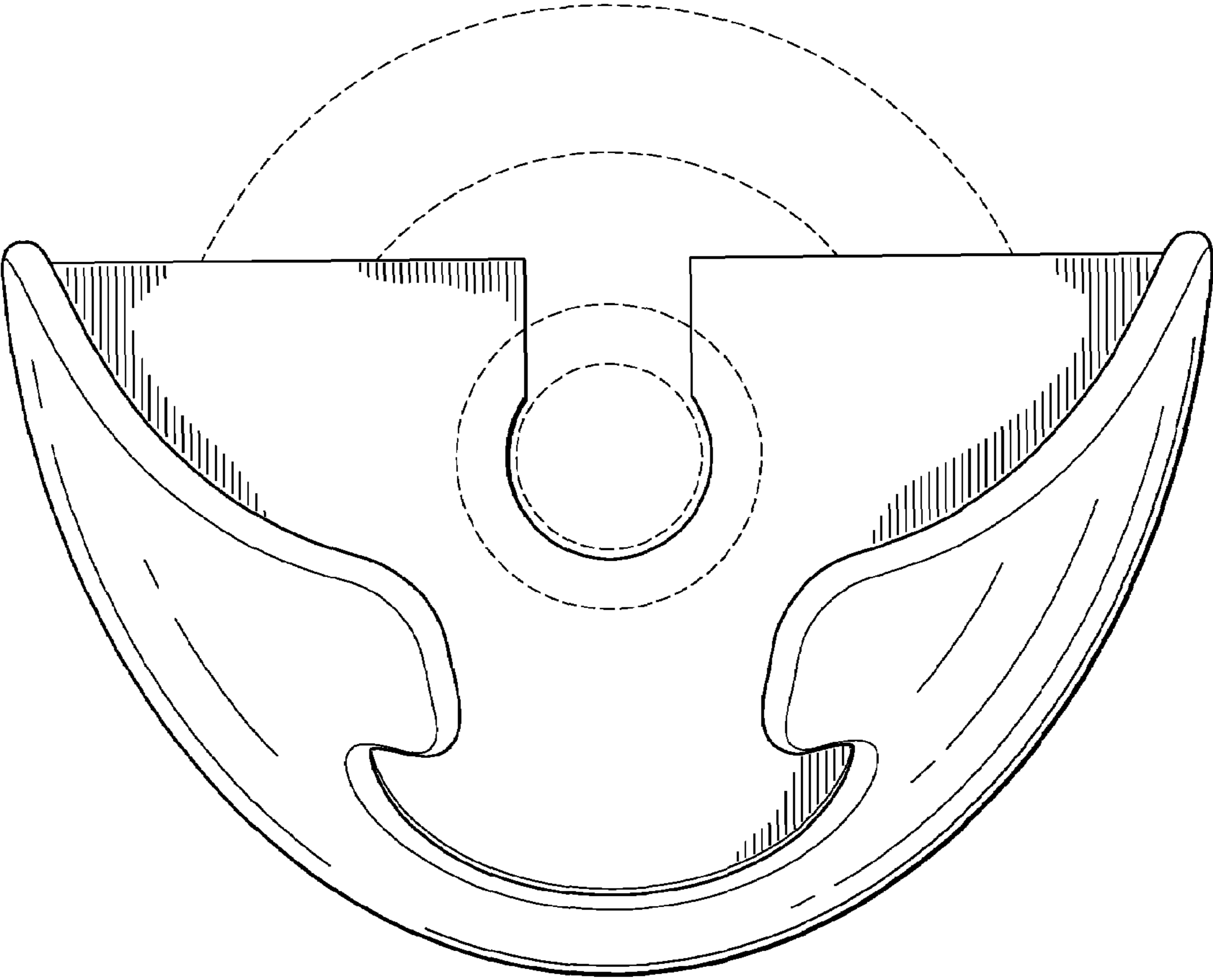


FIG. 2

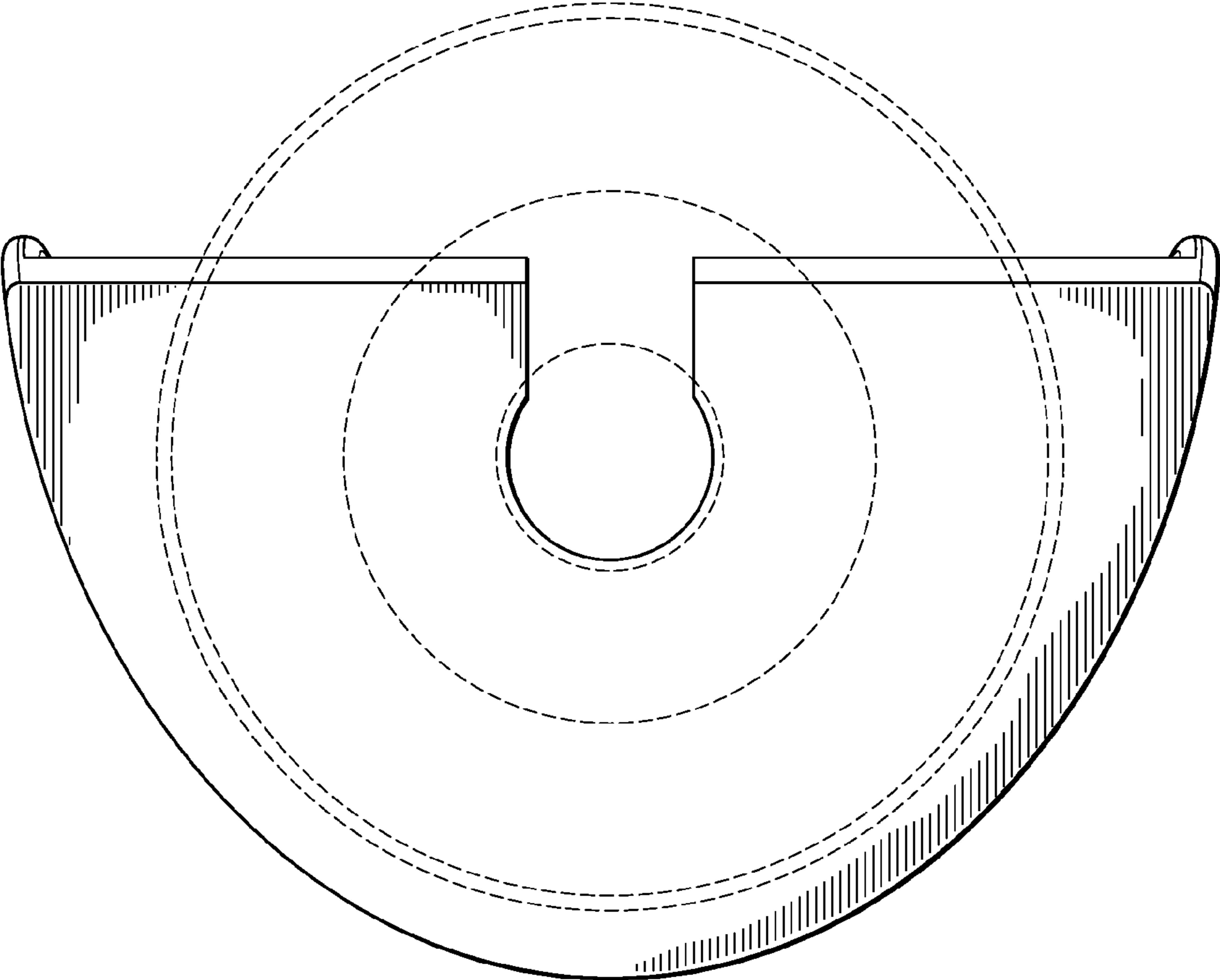


FIG. 3

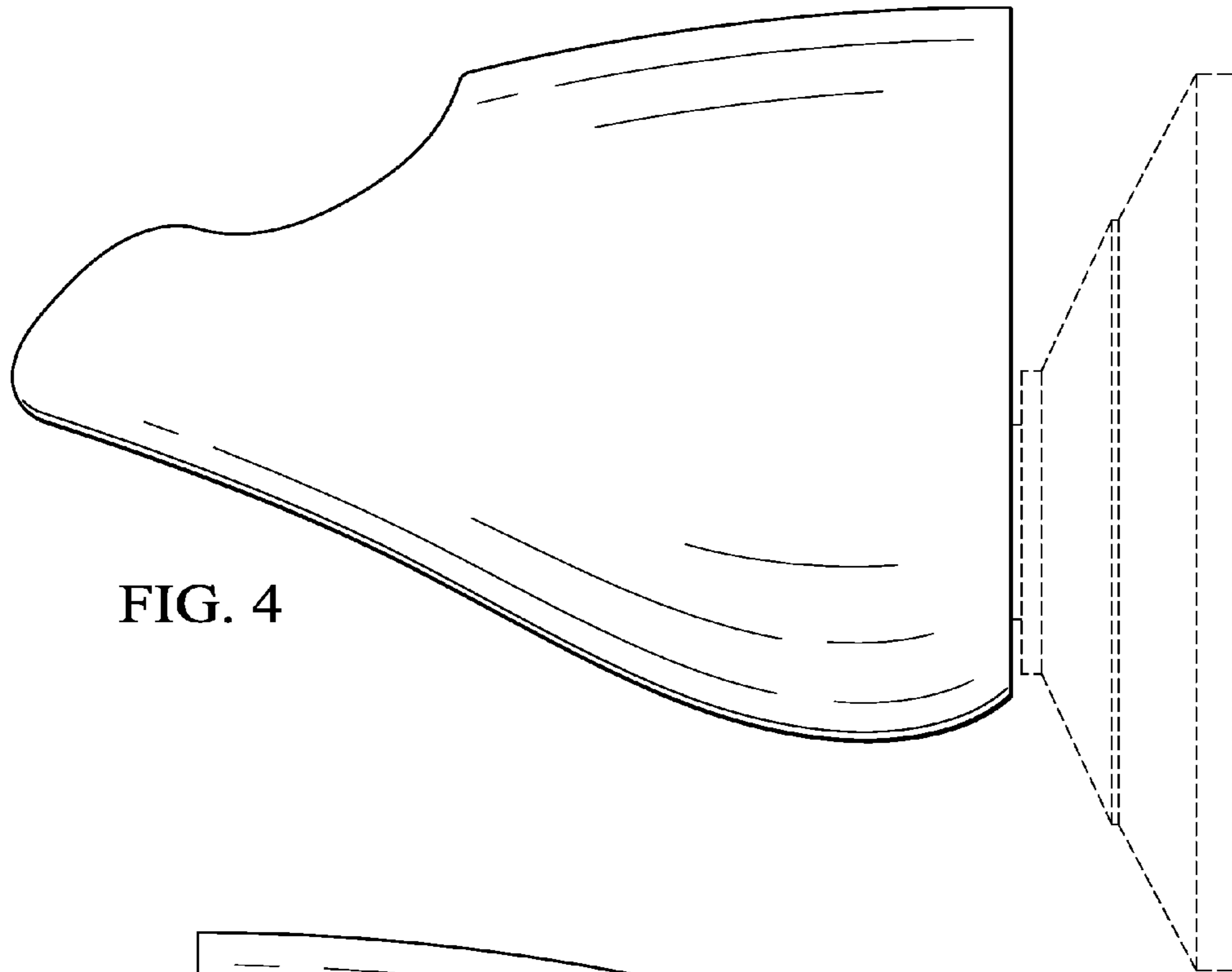


FIG. 4

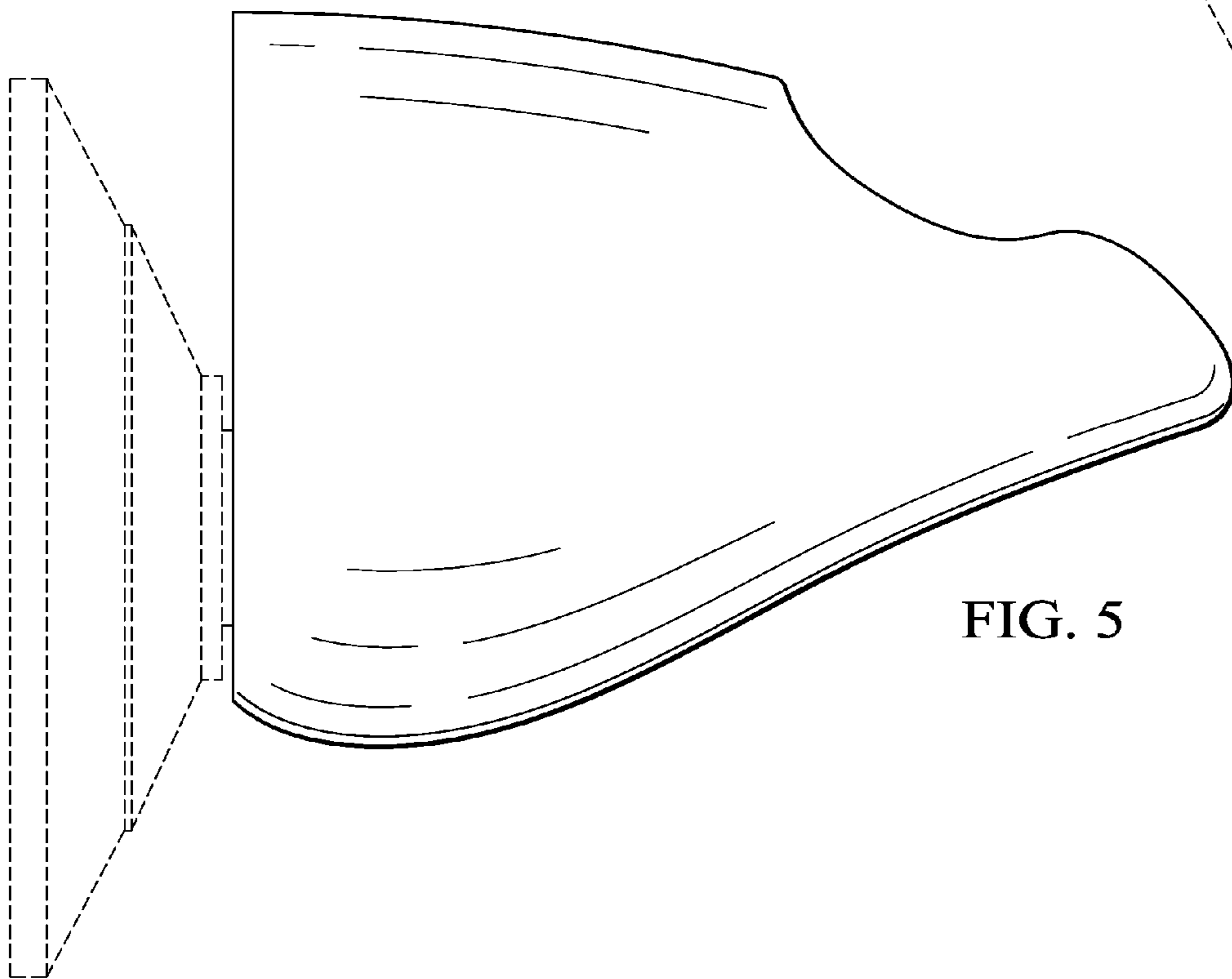


FIG. 5

FIG. 6

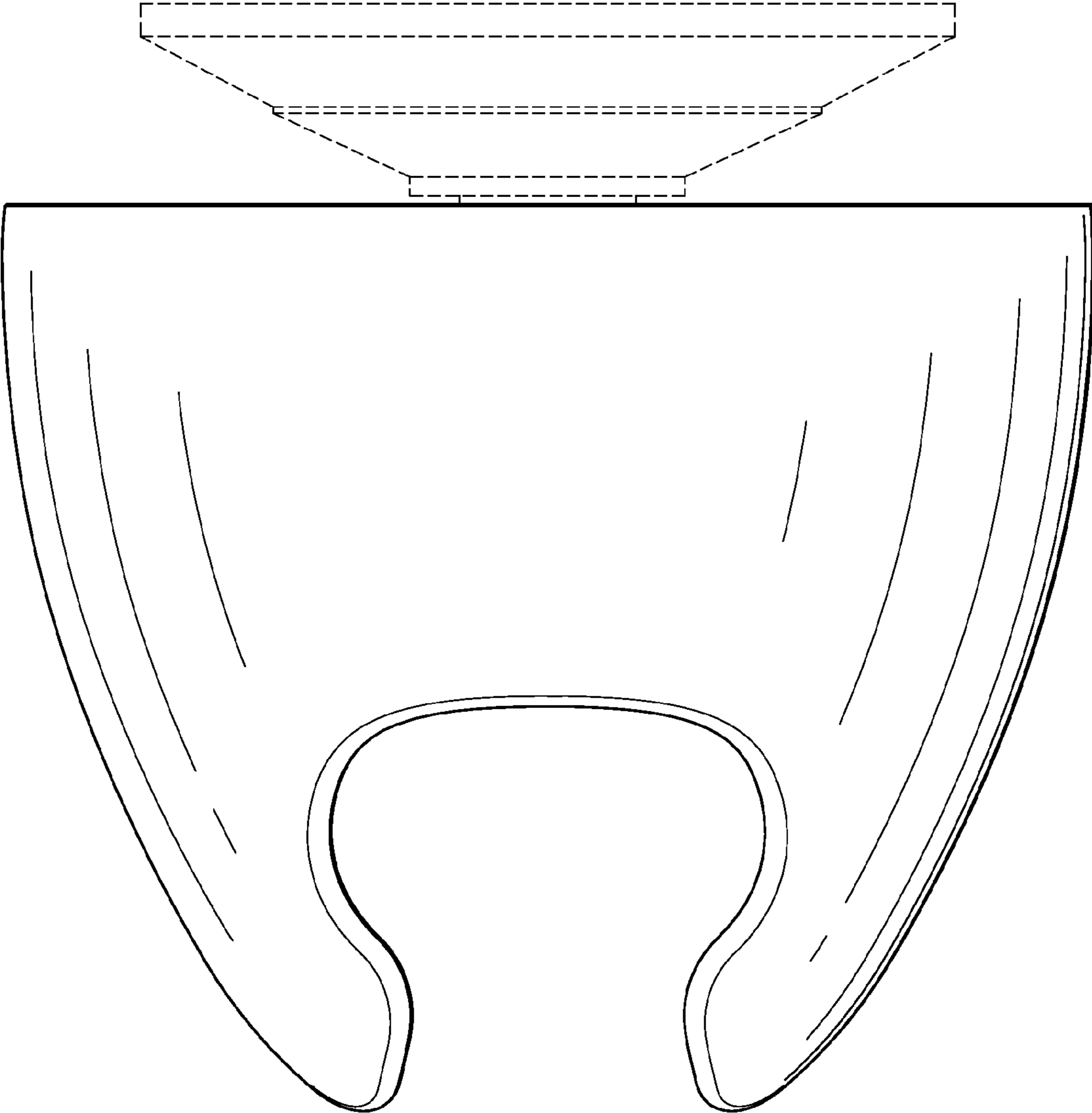
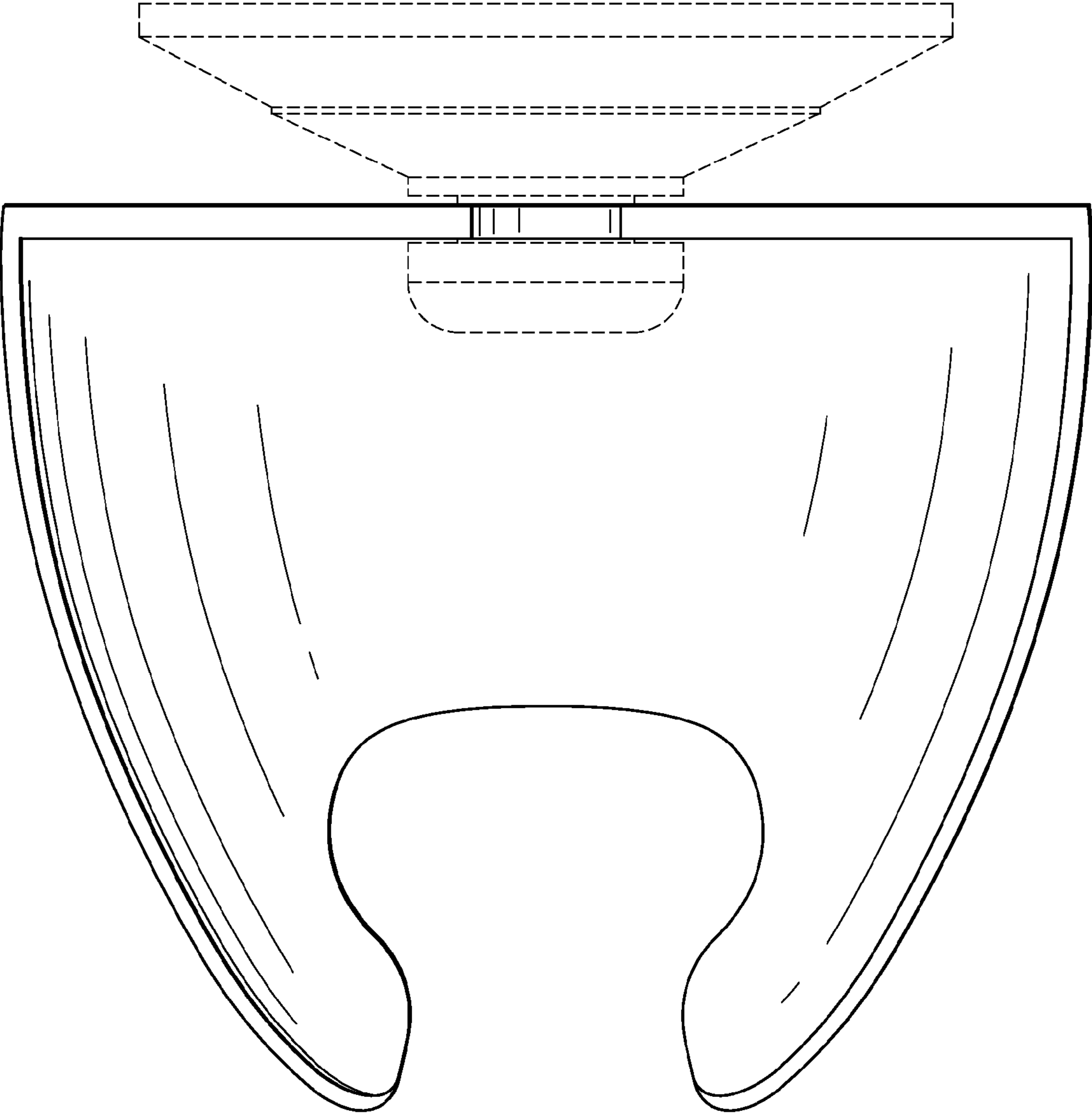


FIG. 7



UNITED STATES PATENT AND TRADEMARK OFFICE
CERTIFICATE OF CORRECTION

PATENT NO. : D625,130 S
APPLICATION NO. : 29/343623
DATED : October 12, 2010
INVENTOR(S) : Andrew A. Szczepanowski et al.

Page 1 of 1

It is certified that error appears in the above-identified patent and that said Letters Patent is hereby corrected as shown below:

Title page

Under the description of figures, delete "FIG. 4 is a left side elevational view thereof;" and insert --FIG. 4 is a right side elevational view thereof;--.

Under the description of figures, delete "FIG. 5 is a right side elevational view thereof;" and insert --FIG. 5 is a left side elevational view thereof;--.

Signed and Sealed this
First Day of May, 2012



David J. Kappos
Director of the United States Patent and Trademark Office