



US00D625128S

(12) **United States Design Patent**
Ciauri-Sasner

(10) **Patent No.:** **US D625,128 S**

(45) **Date of Patent:** **** Oct. 12, 2010**

(54) **HANGING STORAGE ORGANIZER**

(76) **Inventor:** **Carmela Ciauri-Sasner**, 5 Portalon Ct.,
Ladera Ranch, CA (US) 92694

(**) **Term:** **14 Years**

(21) **Appl. No.:** **29/316,407**

(22) **Filed:** **Sep. 22, 2009**

(51) **LOC (9) Cl.** **06-06**

(52) **U.S. Cl.** **D6/514**

(58) **Field of Classification Search** D6/512-514,
D6/524-525, 552-553, 567-570, 315, 317-320,
D6/323, 326; D3/201, 203.1, 205, 903; 206/730,
206/214, 575, 579, 581, 38, 6.1, 278-279,
206/288-289; 211/13.1, 10, 85.2, 85.3, 85.7,
211/35, 41.12, 70.6, 86.01, 87.01; 248/300,
248/304, 309.1, 317

See application file for complete search history.

(56) **References Cited**

U.S. PATENT DOCUMENTS

2,710,638	A *	6/1955	Ford	D6/513
3,834,497	A *	9/1974	Furst	206/289
D315,839	S *	4/1991	Martorella	D6/513
D321,789	S *	11/1991	Martorella	D6/514
D332,697	S *	1/1993	Schildkraut	D3/303
D369,261	S *	4/1996	Brink	D6/514
D387,929	S *	12/1997	Stewart	D6/513
6,808,064	B1 *	10/2004	Fanning	206/289
D544,274	S *	6/2007	Hume	D6/553
D578,812	S *	10/2008	Tingley	D6/513

* cited by examiner

Primary Examiner—Brian N Vinson
(74) *Attorney, Agent, or Firm*—Russo & Duckworth, LLP;
David G. Duckworth

(57) **CLAIM**

The ornamental design for the hanging storage organizer, as shown and described.

DESCRIPTION

FIG. 1 is a perspective view of the hanging storage organizer shown prior to insertion of hanger;

FIG. 2 is a second perspective view of the hanging storage organizer of my design shown with a hanger in the process of being installed;

FIG. 3 is a third perspective view of the hanging storage organizer of my design shown in use hung below a rod and holding a variety of items;

FIG. 4 is a fourth perspective view of the hanging storage organizer of my design;

FIG. 5 is a front elevation view thereof;

FIG. 6 is a rear elevation view thereof;

FIG. 7 is a right elevation view thereof;

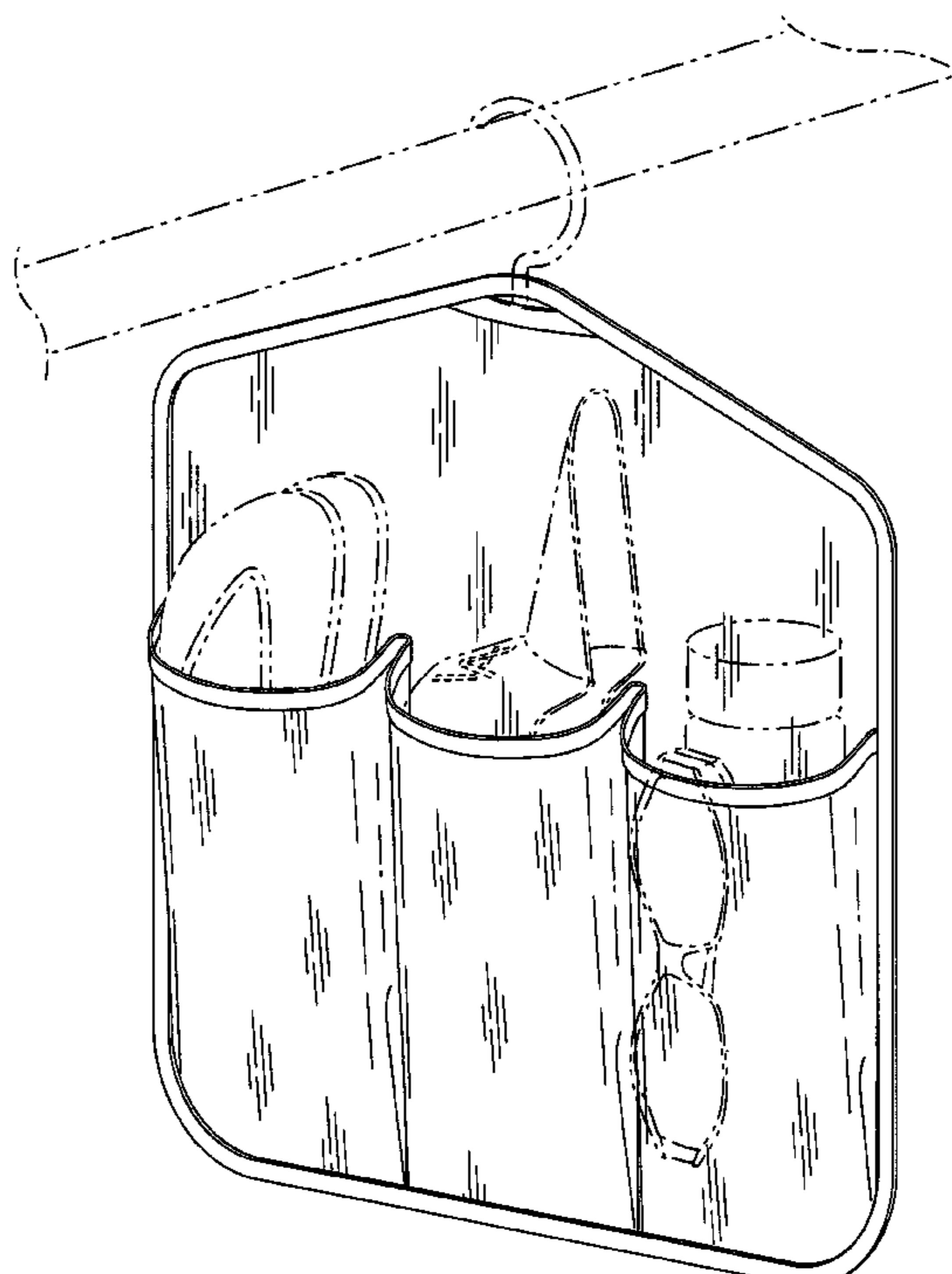
FIG. 8 is a left elevation view thereof;

FIG. 9 is a top plane view thereof; and,

and FIG. 10 is a bottom plane view thereof.

The hangers shown in FIGS. 1-8 and variety of stored items illustrated in FIG. 3 are for illustrative purposes only and form no part of the claimed design.

1 Claim, 7 Drawing Sheets



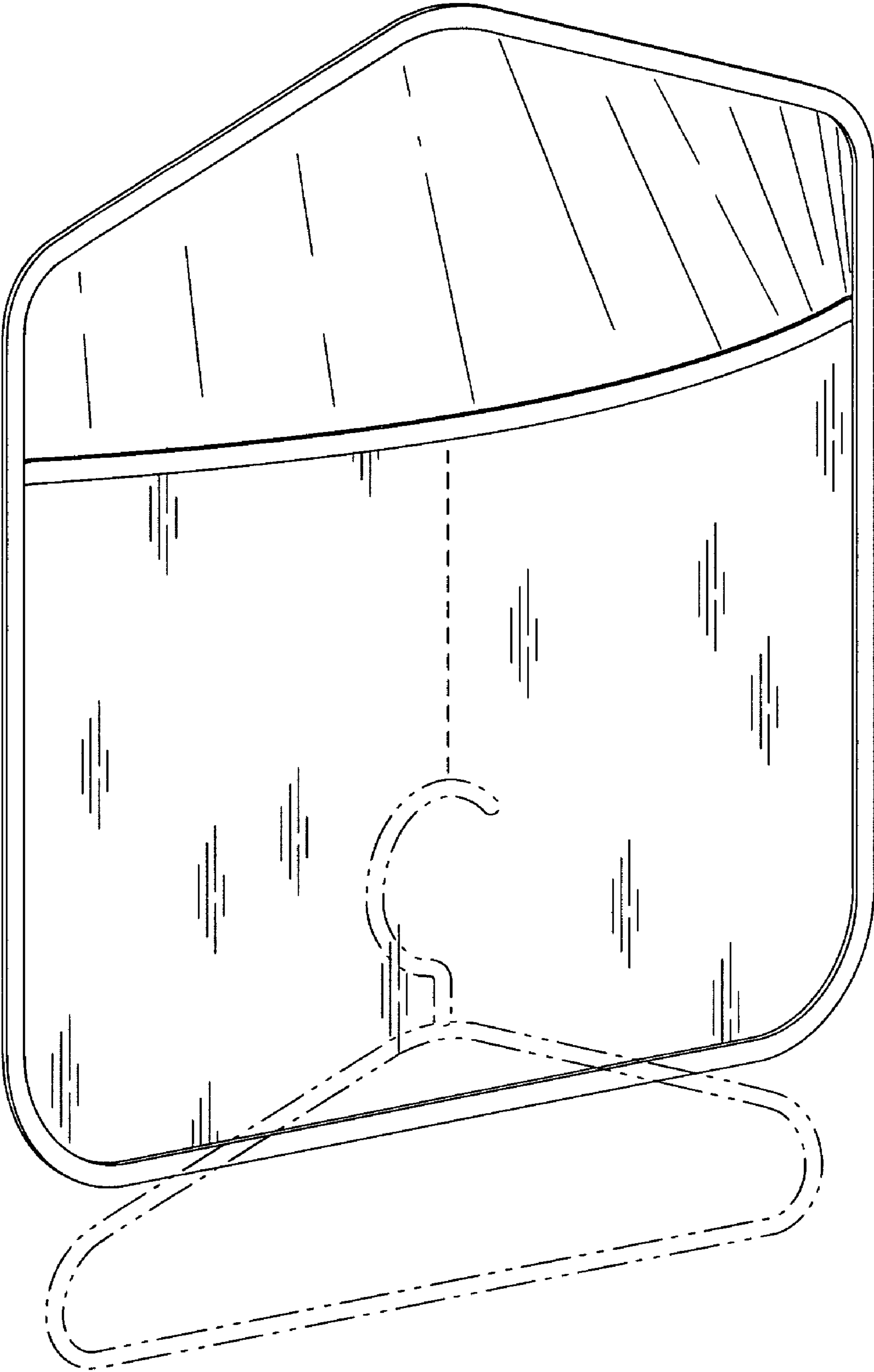


Fig. 1

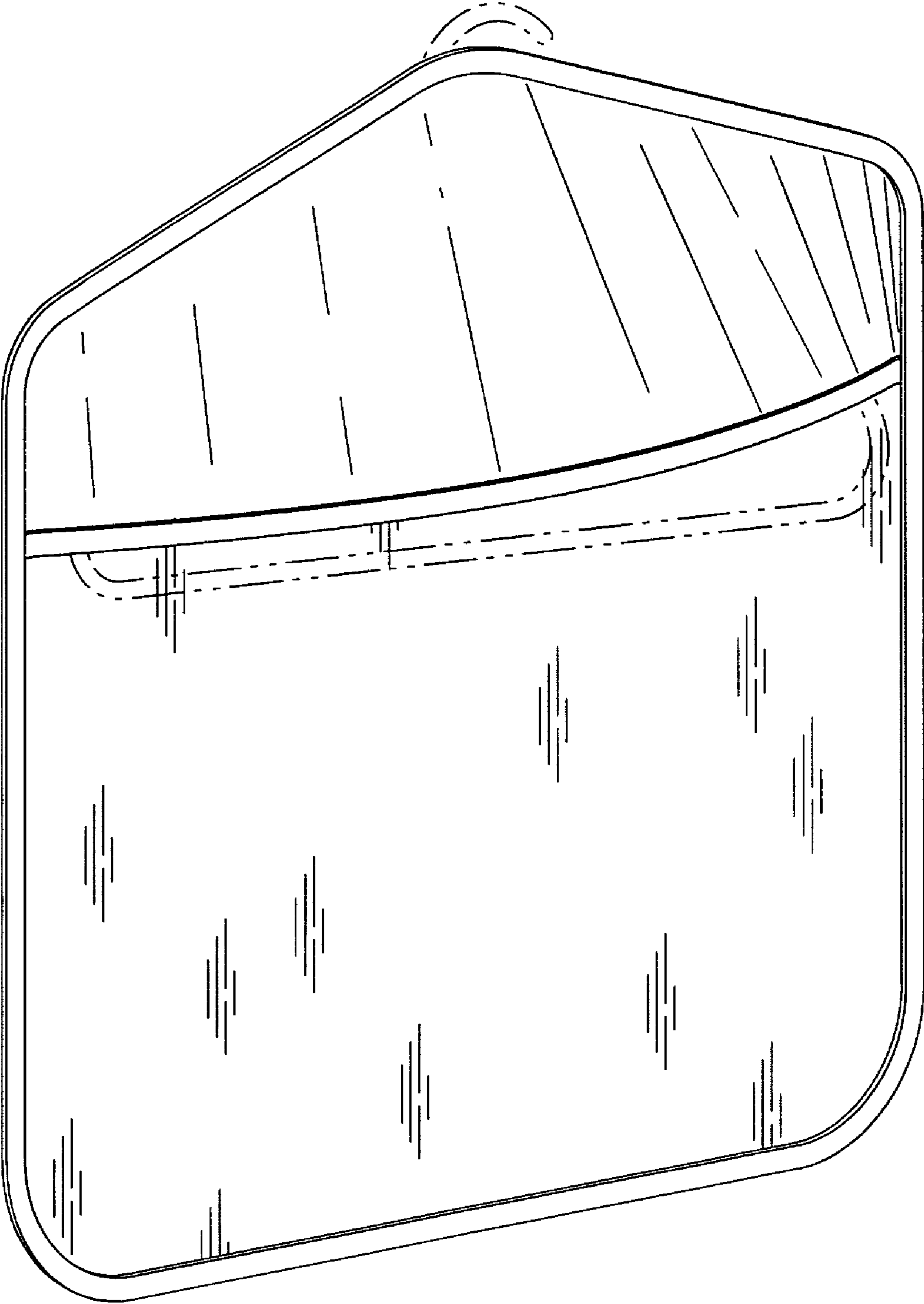


Fig. 2

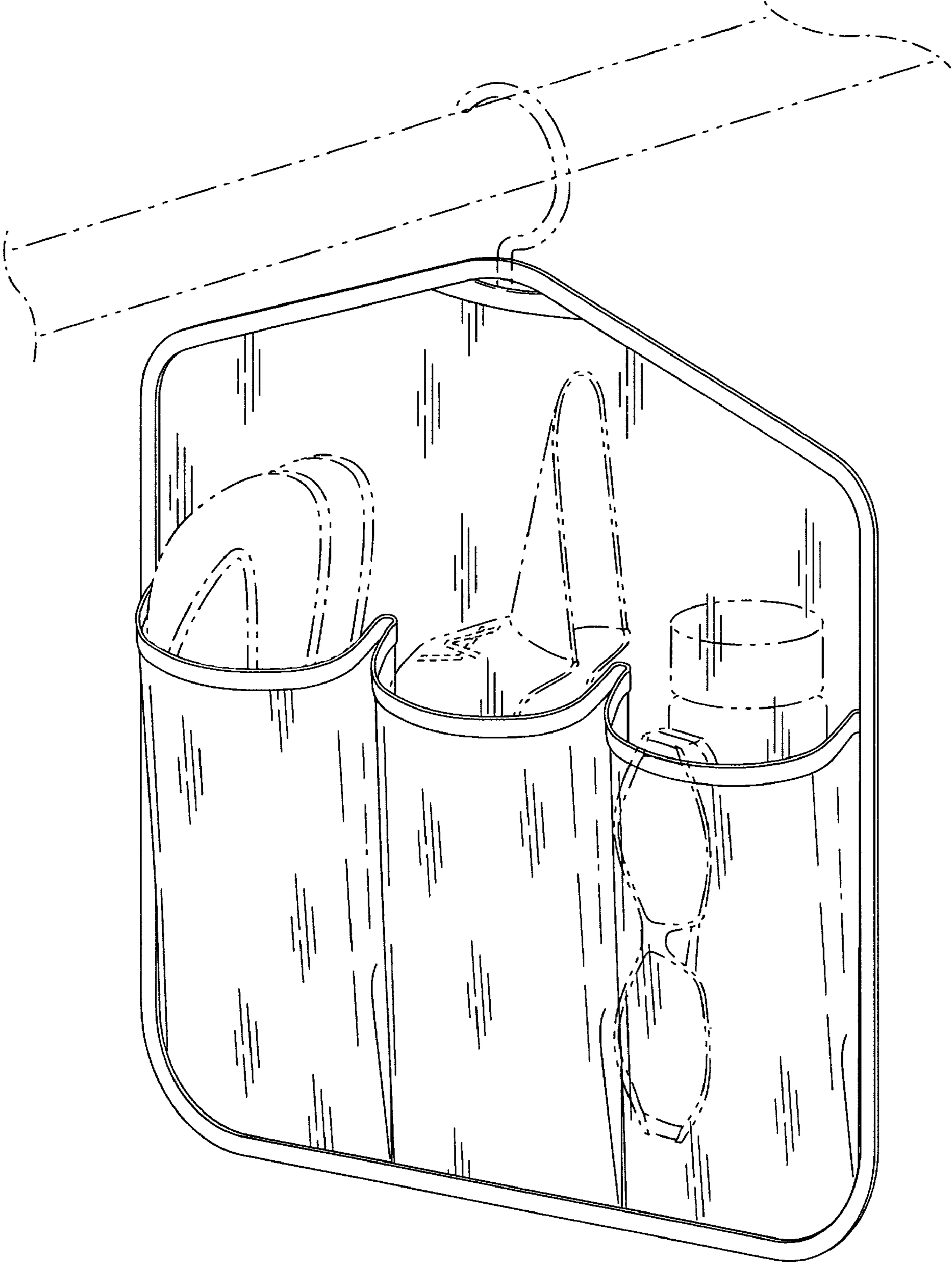


Fig. 3

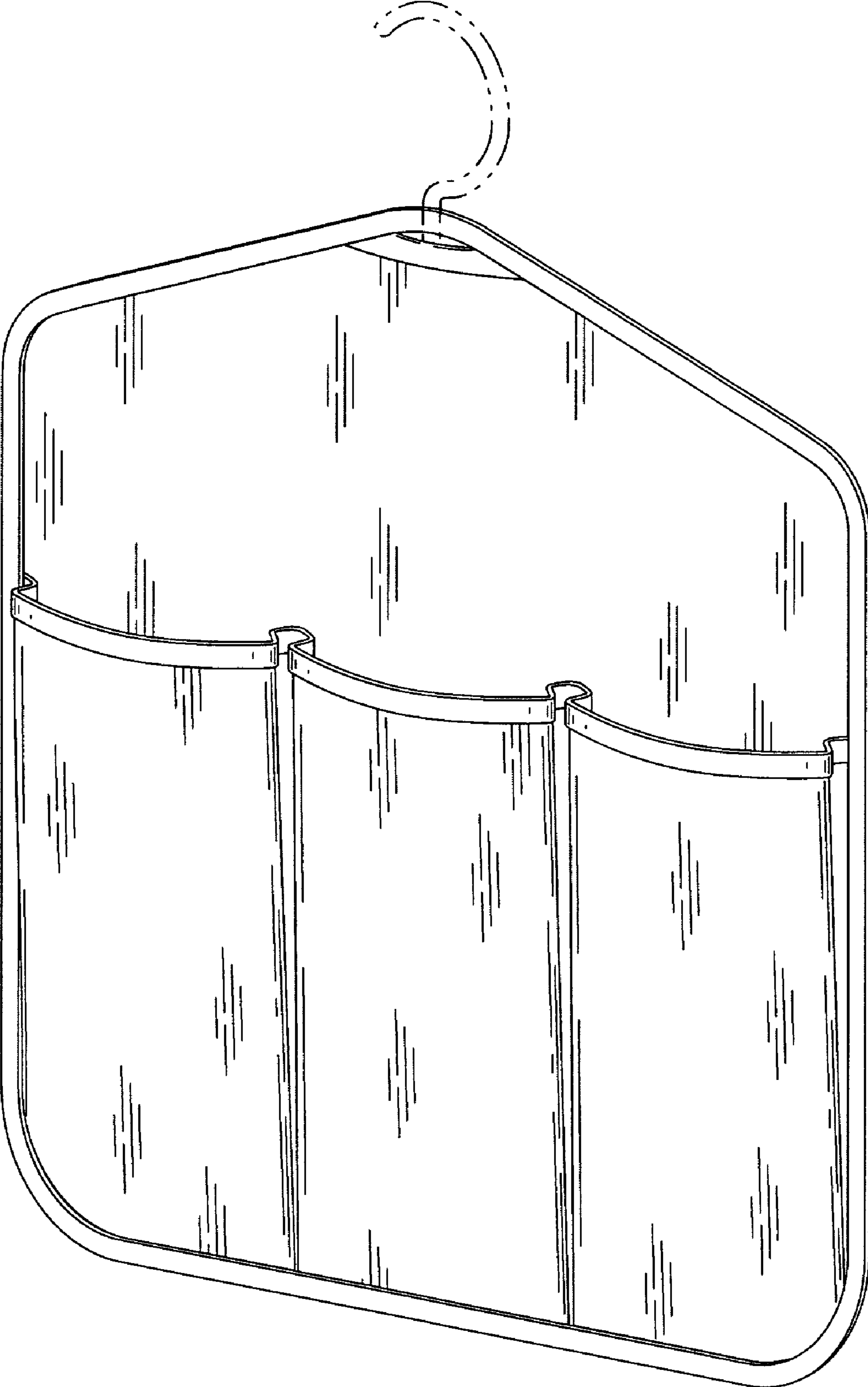


Fig. 4

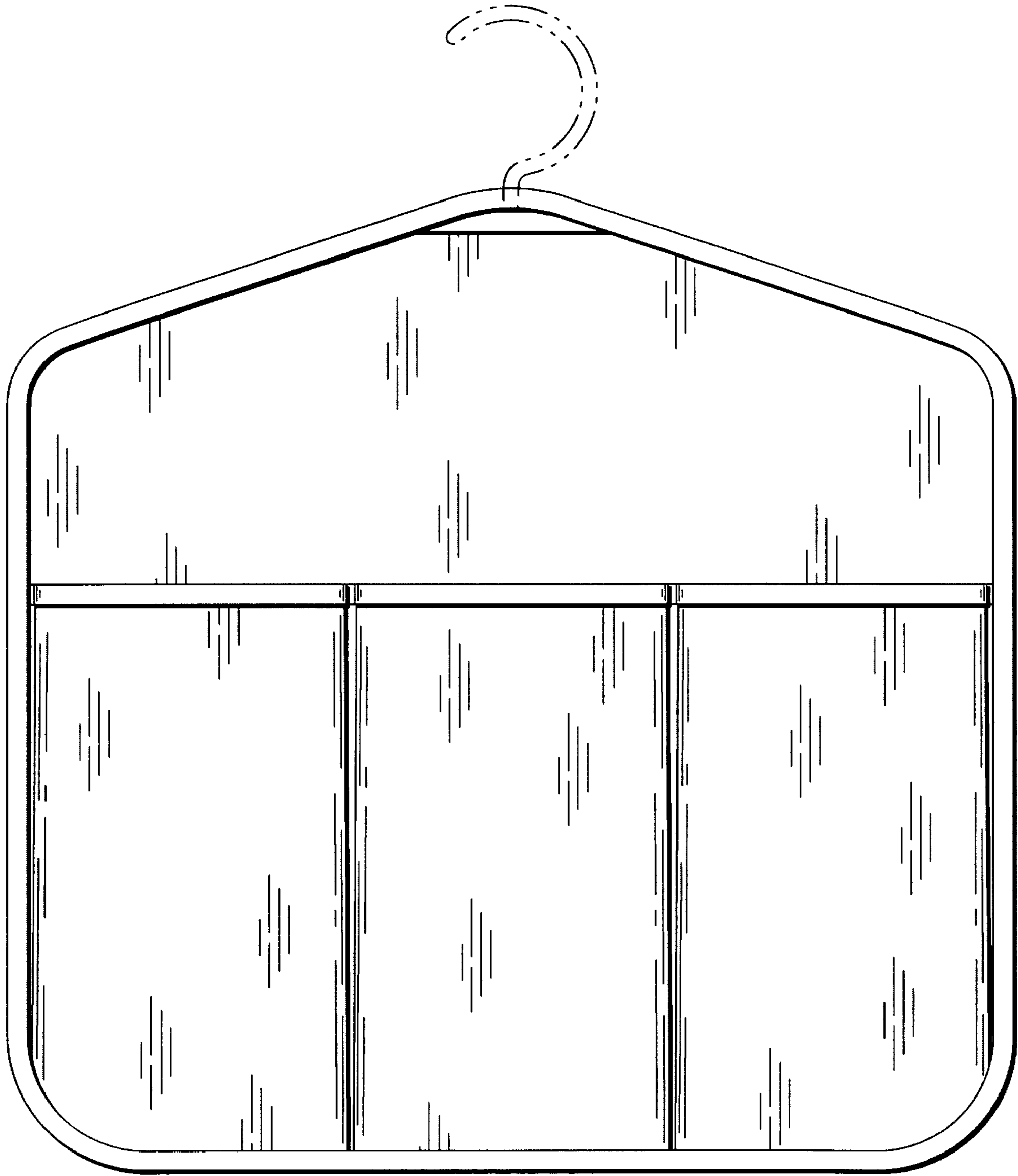


Fig. 5

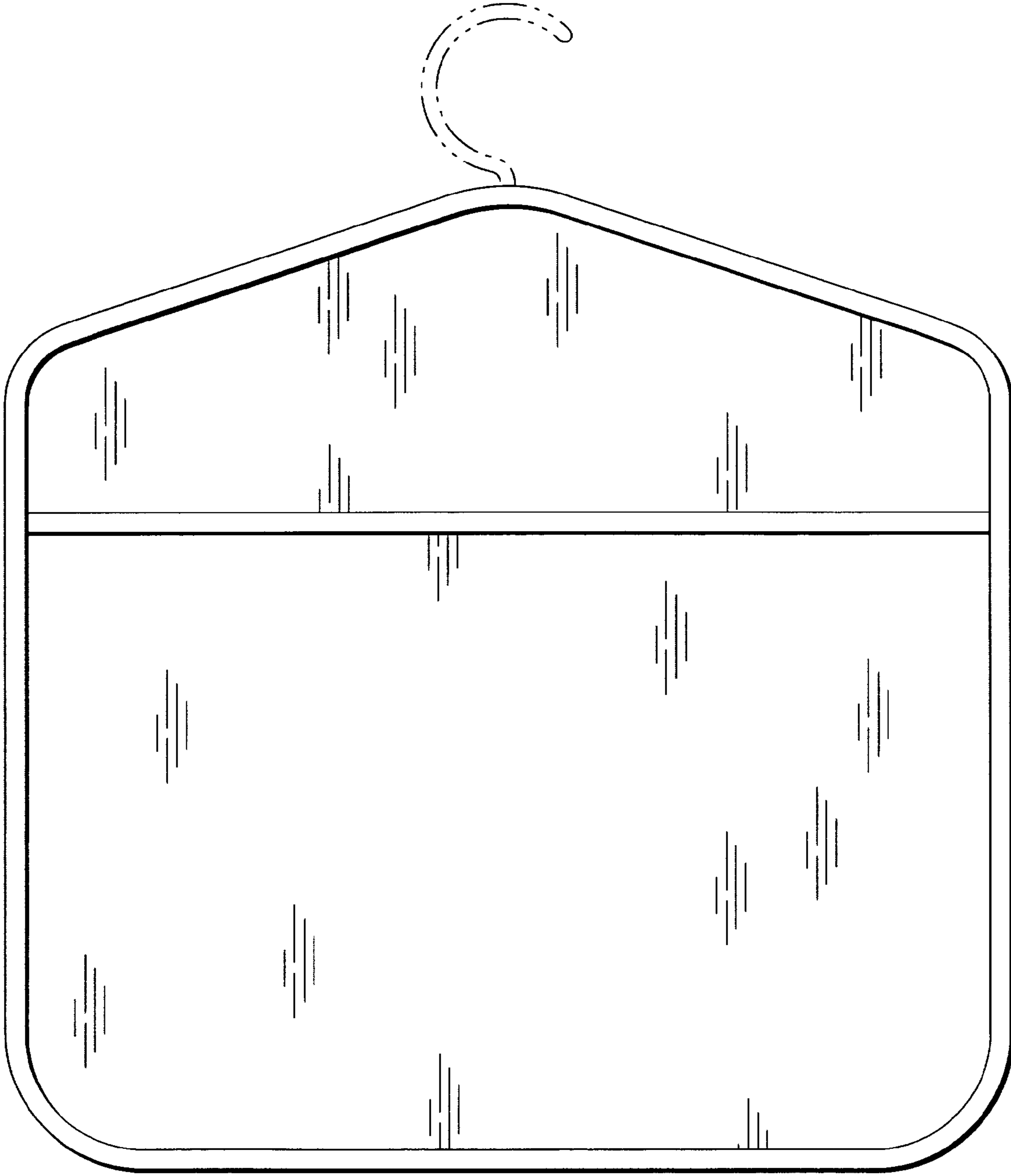


Fig. 6

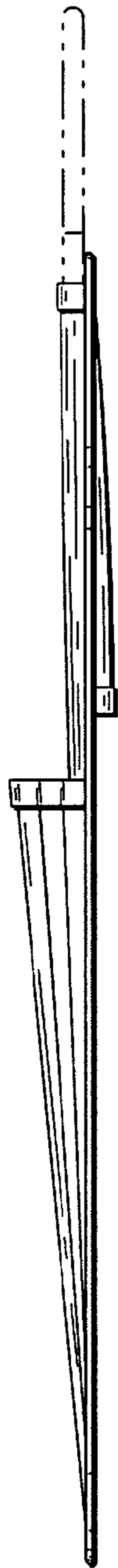


Fig. 7

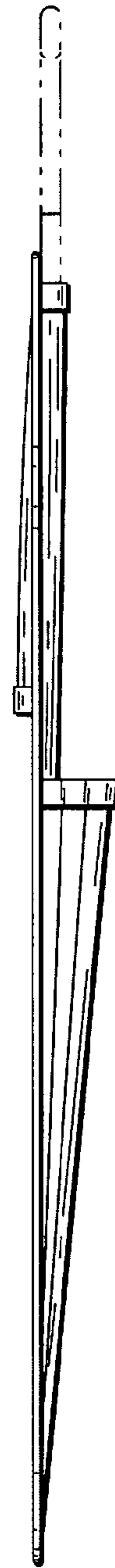


Fig. 8

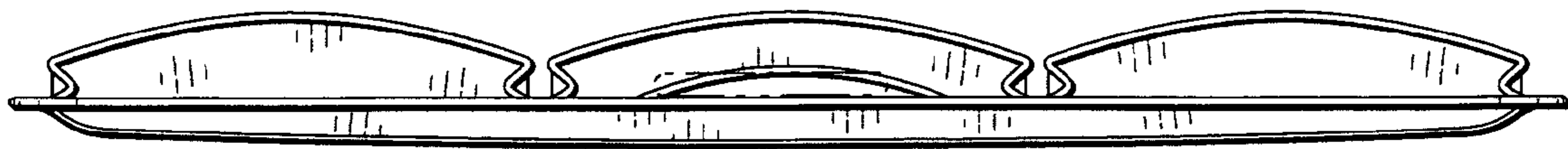


Fig. 9

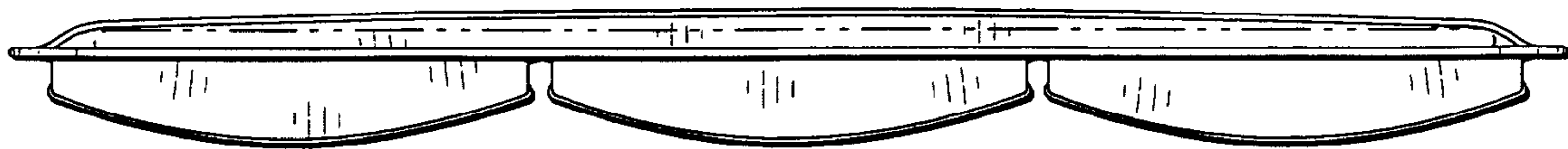


Fig. 10