



US00D625127S

(12) **United States Design Patent**
Seki

(10) **Patent No.:** **US D625,127 S**
(45) **Date of Patent:** **** Oct. 12, 2010**

(54) **FREEZER SHOWCASE**

(75) Inventor: **Ichiro Seki**, Osaka (JP)

(73) Assignee: **Sanyo Electric Co., Ltd.**, Osaka (JP)

(**) Term: **14 Years**

(21) Appl. No.: **29/309,934**

(22) Filed: **Nov. 14, 2008**

(30) **Foreign Application Priority Data**

Jul. 15, 2008 (JP) 2008-018220

(51) **LOC (9) Cl.** **06-04**

(52) **U.S. Cl.** **D6/472**

(58) **Field of Classification Search** D6/396,
D6/397, 432-448, 470-478; 312/107, 114,
312/115, 116, 117, 138.1, 137, 204, 401,
312/404, 405, 407, 407.1; D15/79, 81-85;
206/216, 477, 486; 362/125, 127, 133; 62/256
See application file for complete search history.

(56) **References Cited**

U.S. PATENT DOCUMENTS

D49,285 S *	6/1916	Simpson	D6/471
D96,837 S *	9/1935	Hormes	D6/471
D101,531 S *	10/1936	Hoke	D6/471
D106,228 S *	9/1937	Ahrens	D6/471
D109,395 S *	4/1938	Footlik	D6/471
D115,495 S *	7/1939	Hayes	D6/471
2,279,945 A *	4/1942	Hoffman	312/107
D141,385 S *	5/1945	Romadka	D6/470
D142,752 S *	10/1945	Tyler	D6/475

D142,773 S *	11/1945	Davis	D6/472
D144,380 S *	4/1946	Hoffan	D6/470
D146,558 S *	4/1947	Davis	D6/438
D147,818 S *	11/1947	Silveira	D6/472
D156,416 S *	12/1949	Greiling	D6/470
D205,873 S *	9/1966	Burtis	D6/471
D209,722 S *	12/1967	Mangini	D6/471
D268,069 S *	3/1983	Milstein	D6/472
D303,595 S *	9/1989	Thompson et al.	D6/472

* cited by examiner

Primary Examiner—Mimosa De

(74) *Attorney, Agent, or Firm*—Rabin & Berdo, PC

(57) **CLAIM**

The ornamental design for a freezer showcase, as shown and described.

DESCRIPTION

FIG. 1 is a perspective view of a freezer showcase showing my new design;

FIG. 2 is a front elevation view thereof;

FIG. 3 is a rear elevation view thereof;

FIG. 4 is a top plan view thereof;

FIG. 5 is a bottom plan view thereof;

FIG. 6 is a right side view thereof;

FIG. 7 is a left side view thereof;

FIG. 8 is a rear perspective view thereof showing a state with a opening cover open; and,

FIG. 9 is a sectional view taken on line 9—9 of FIG. 2.

1 Claim, 7 Drawing Sheets

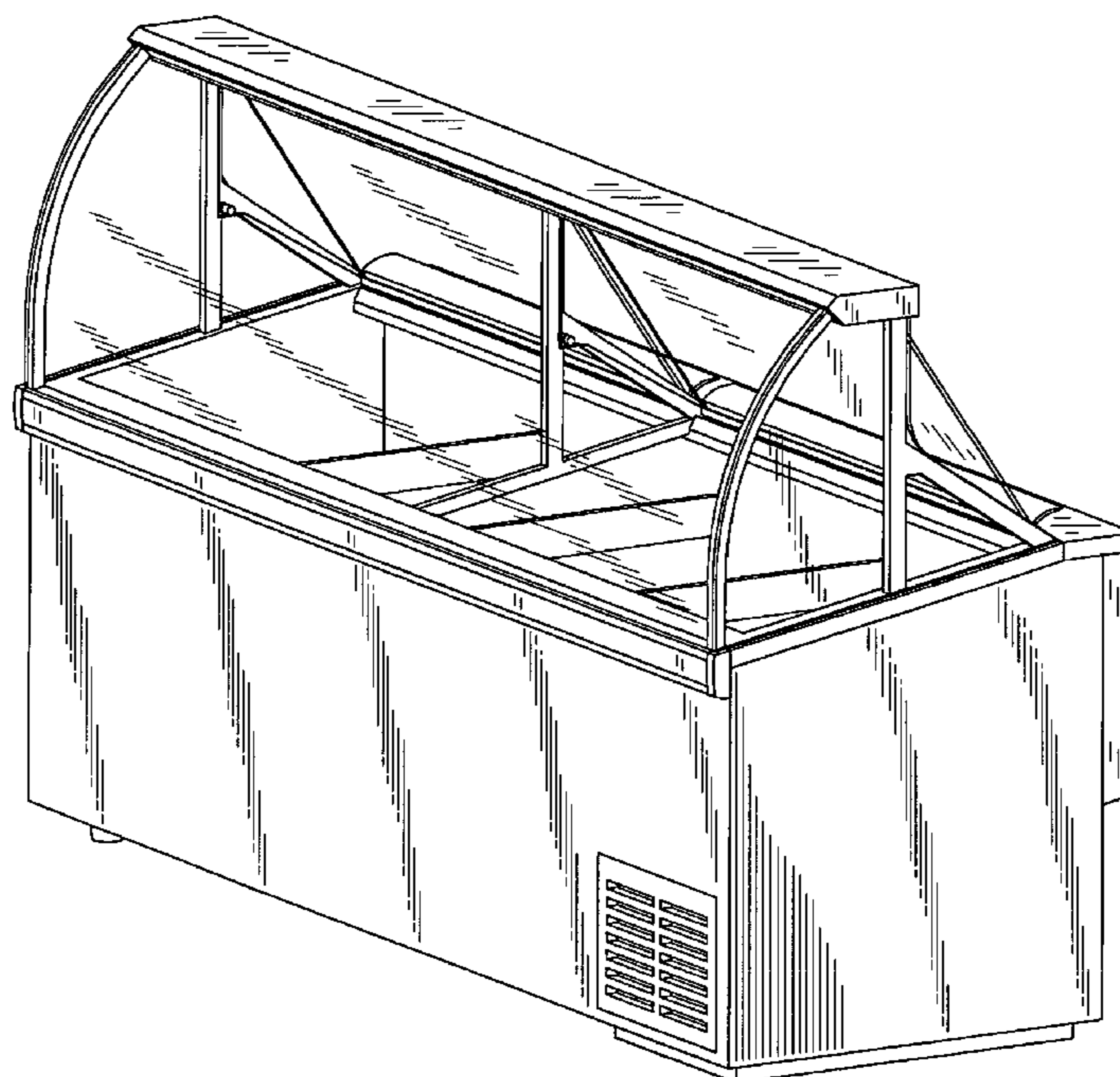


FIG. 1

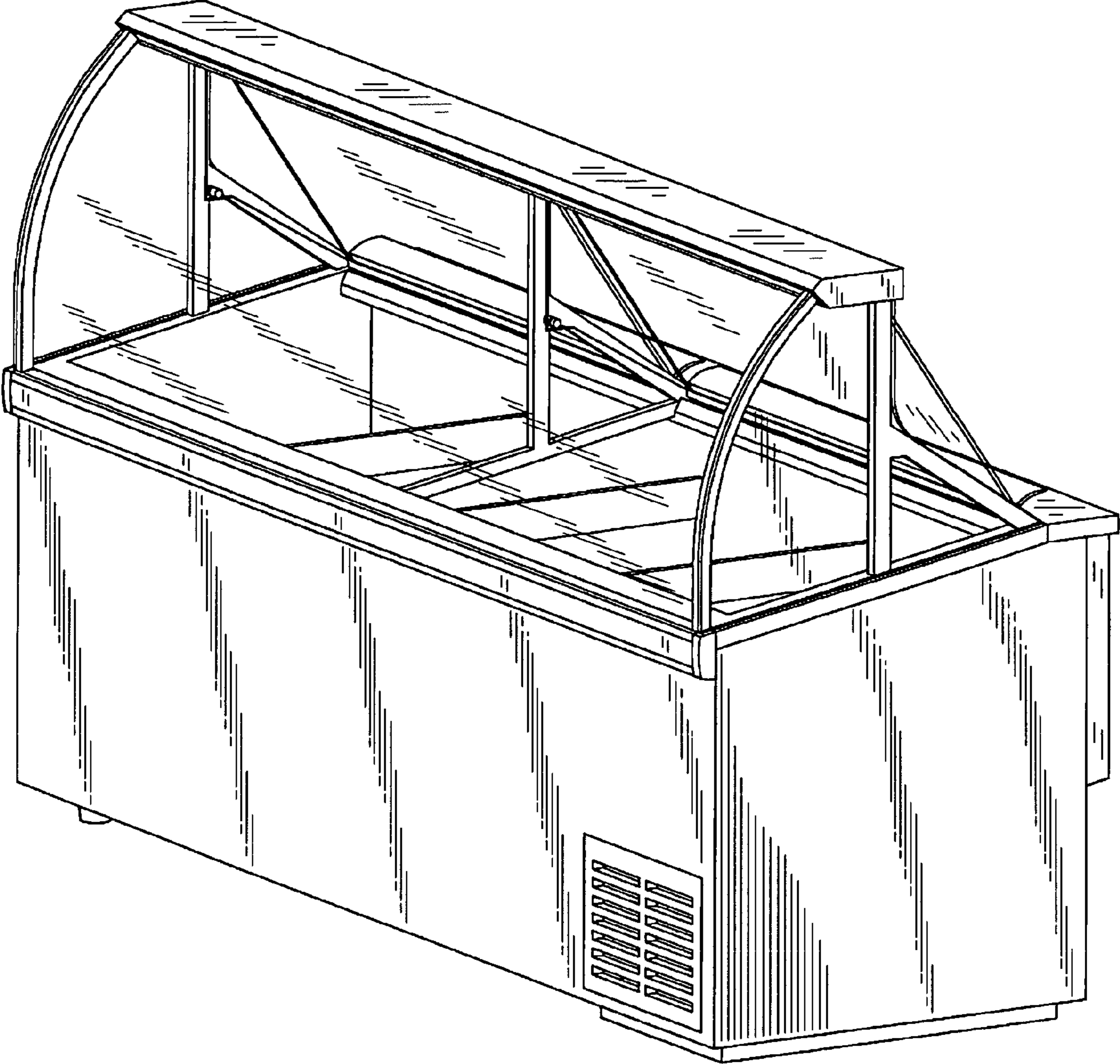


FIG. 2

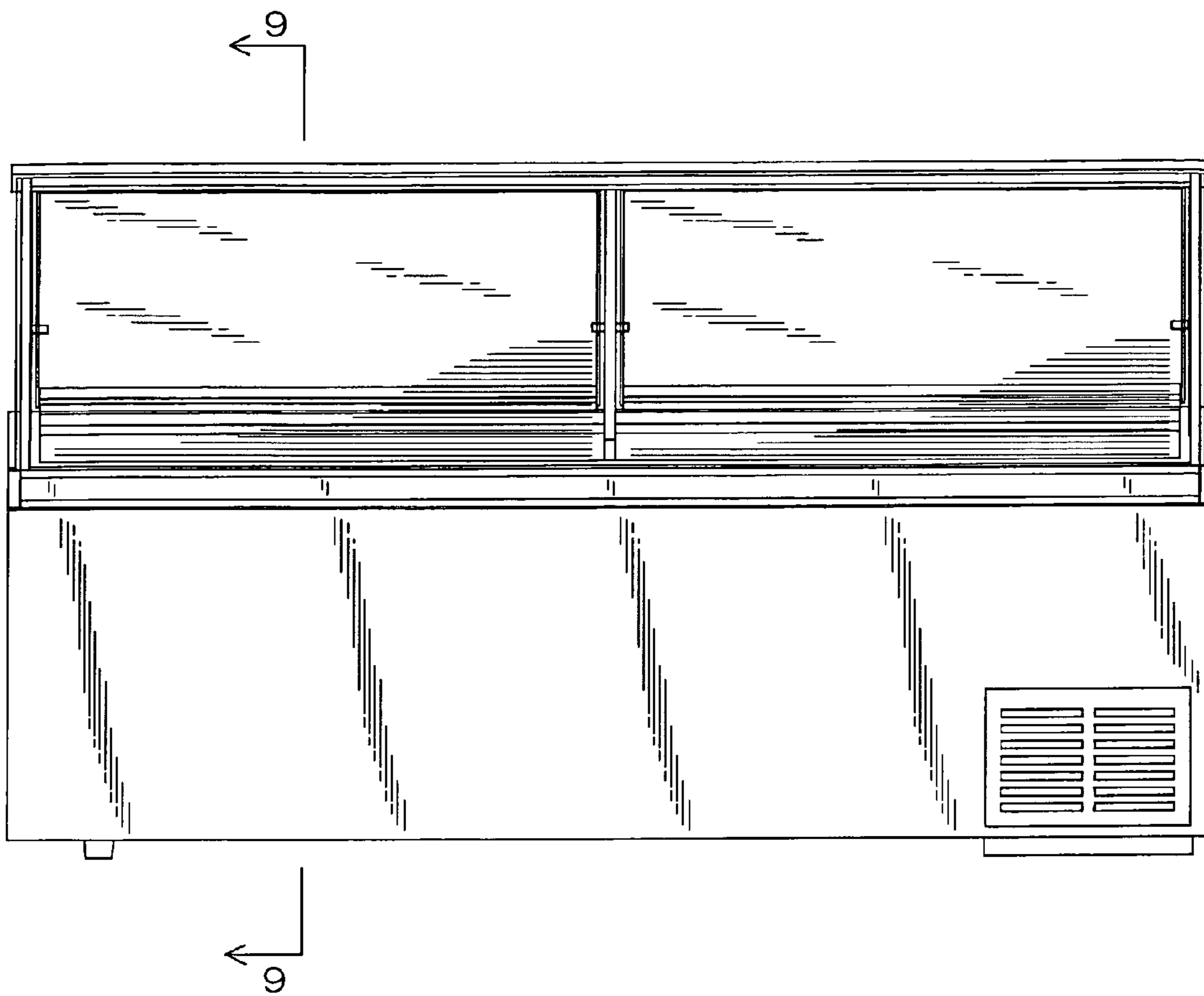


FIG. 3

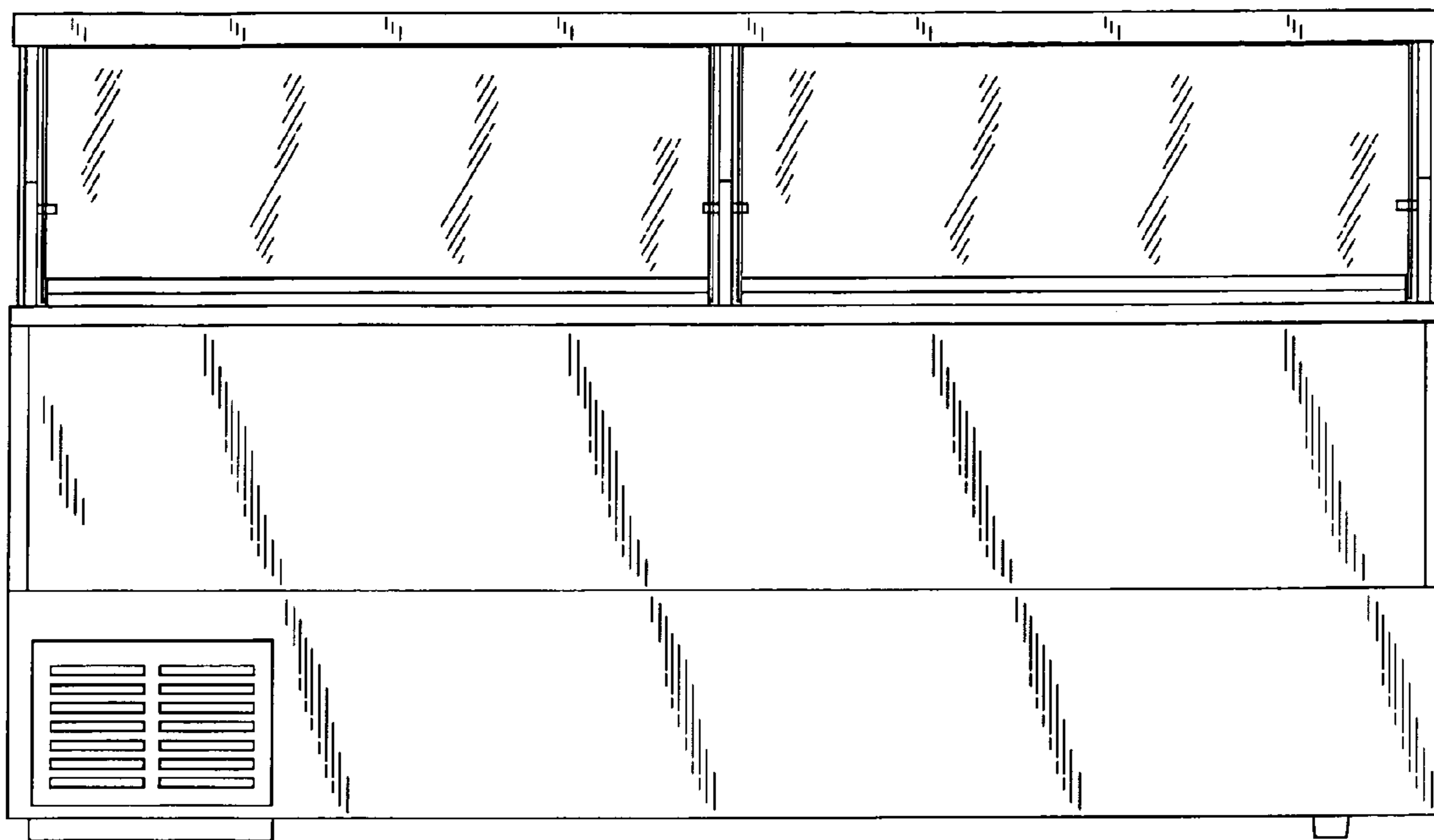


FIG. 4

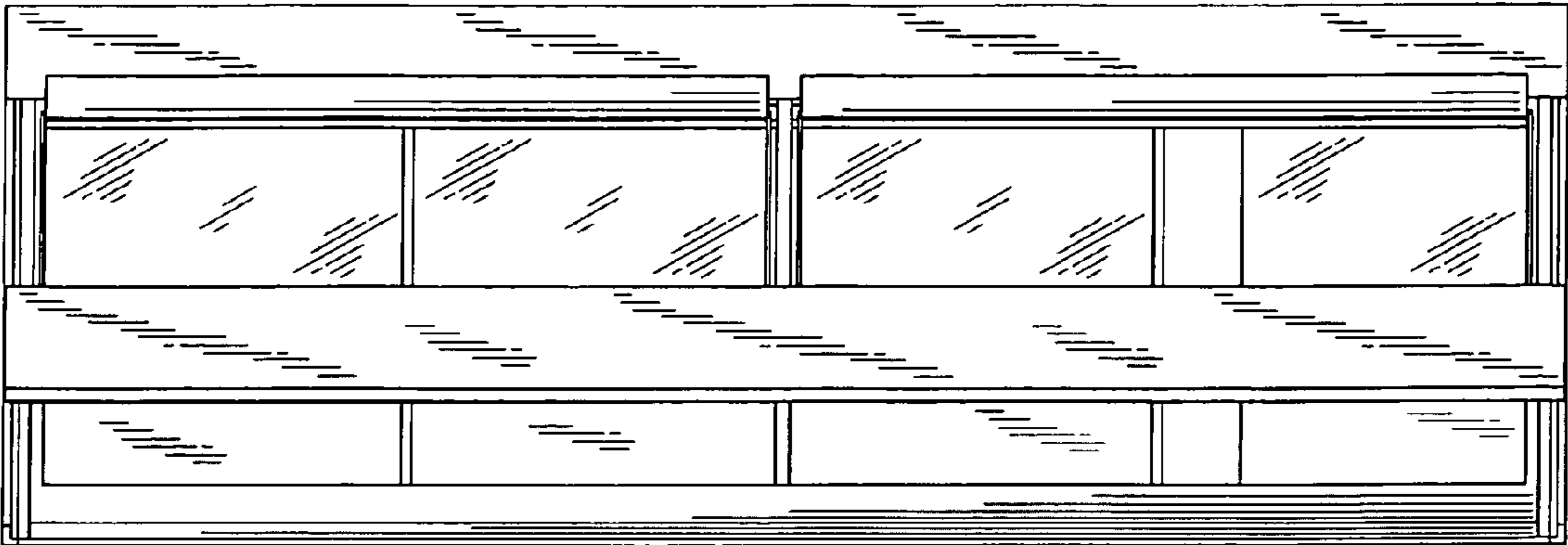


FIG. 5

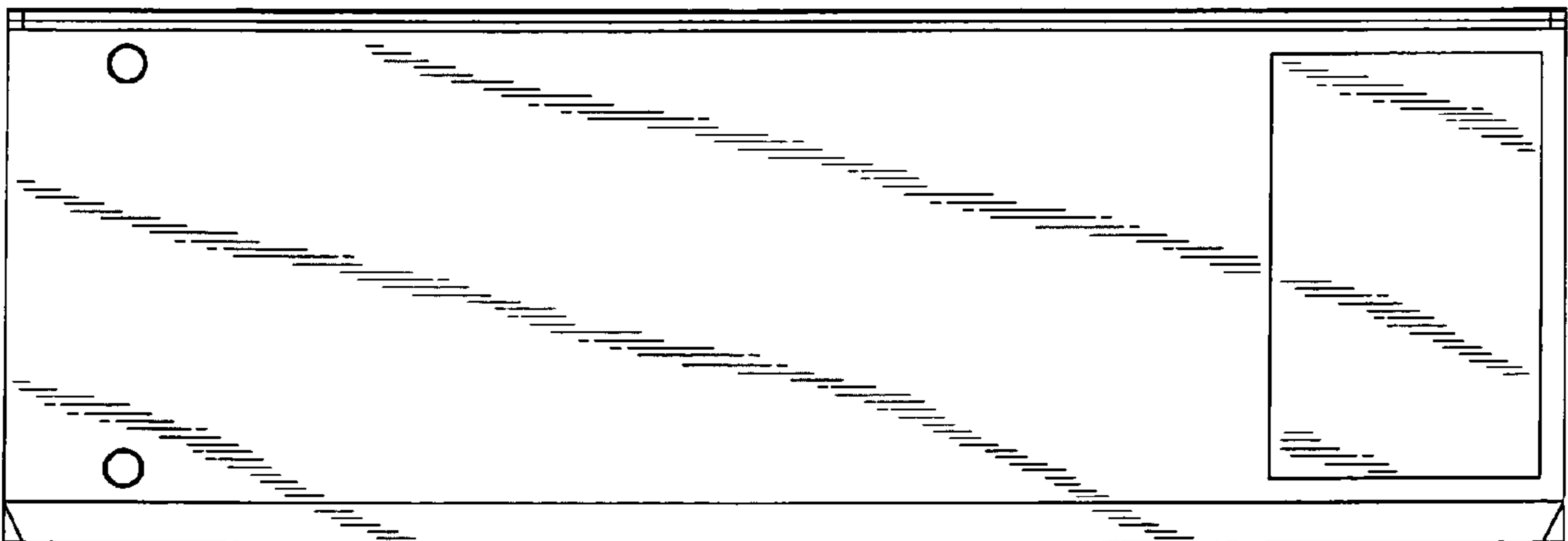


FIG. 6

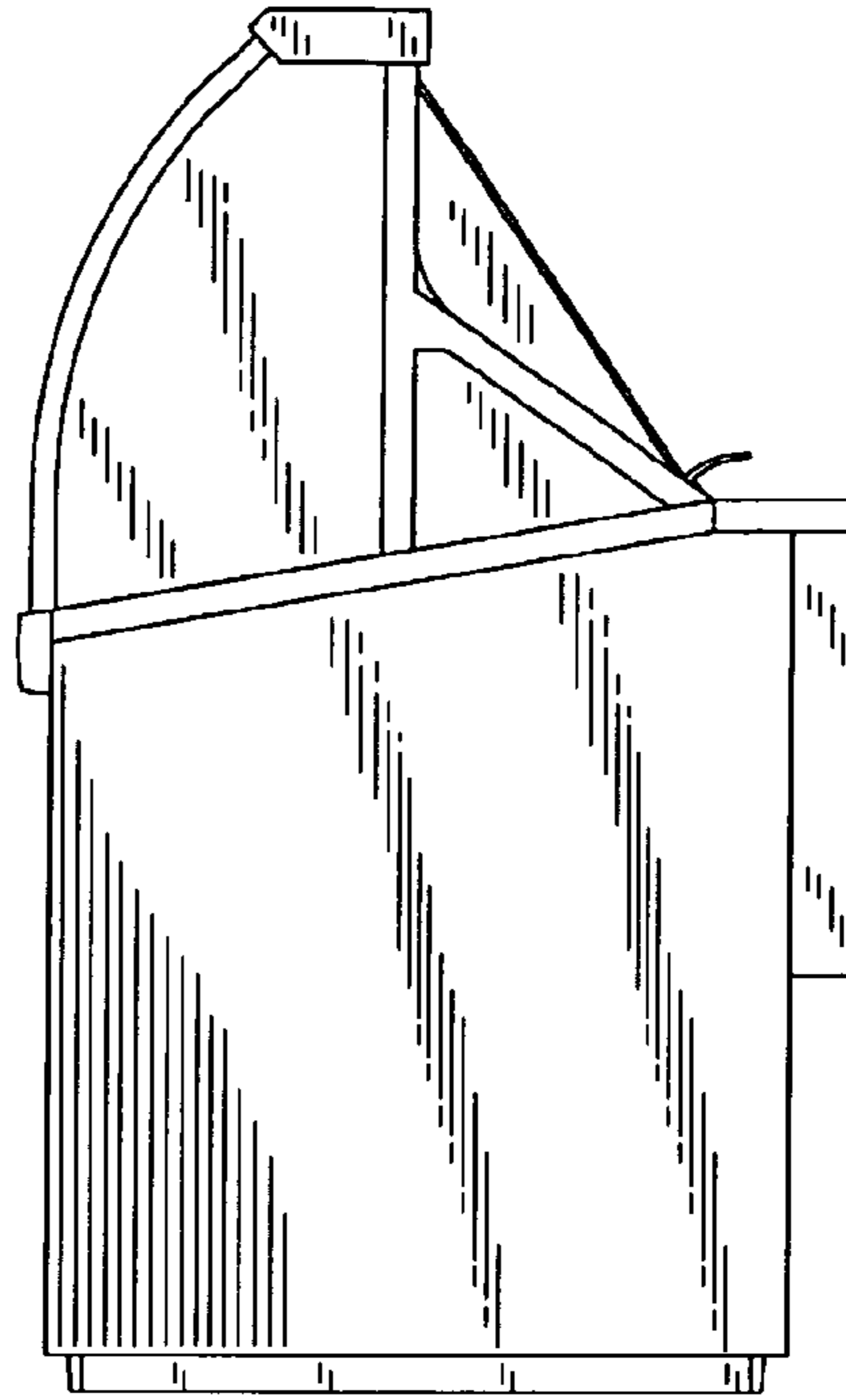


FIG. 7

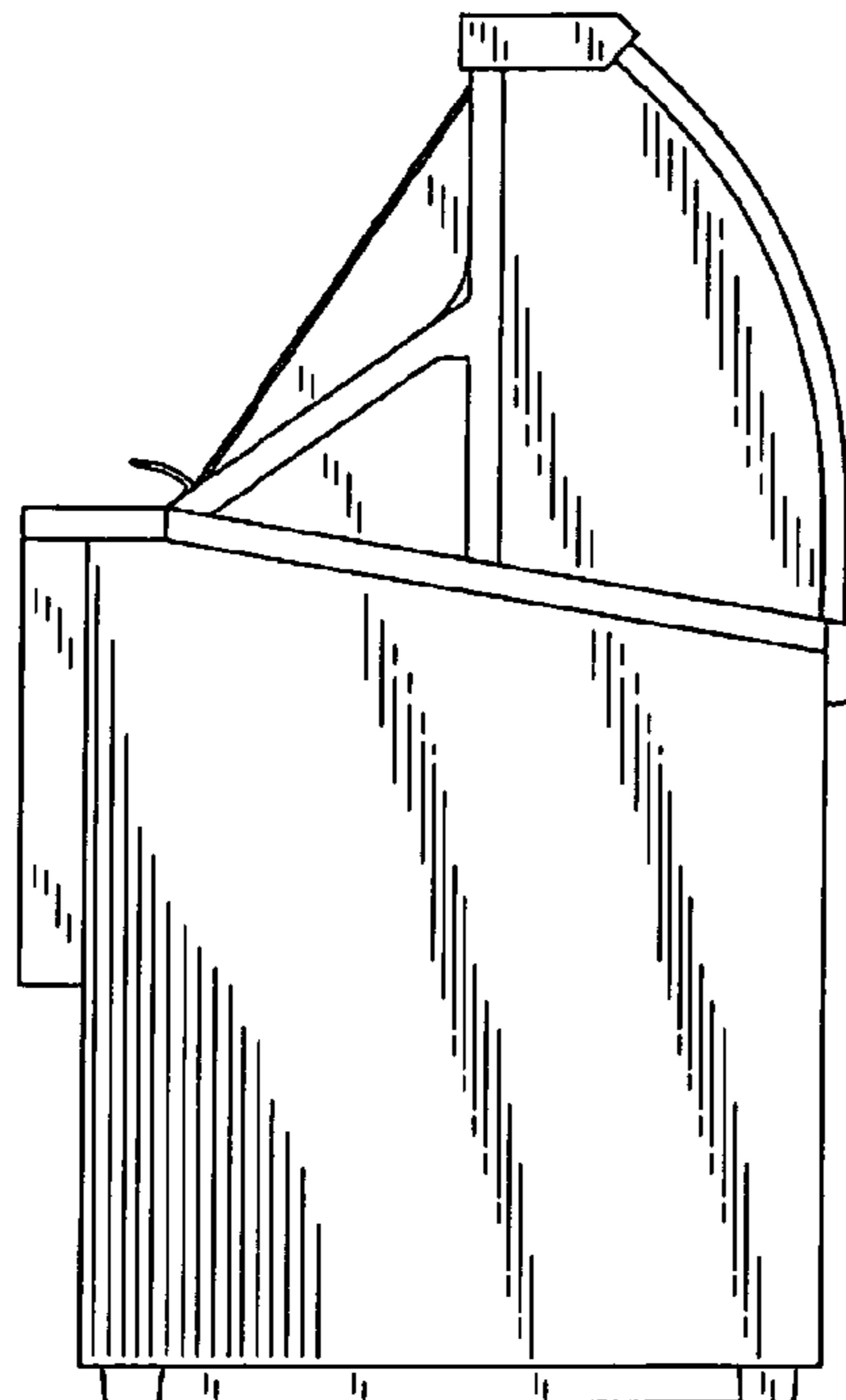


FIG. 8

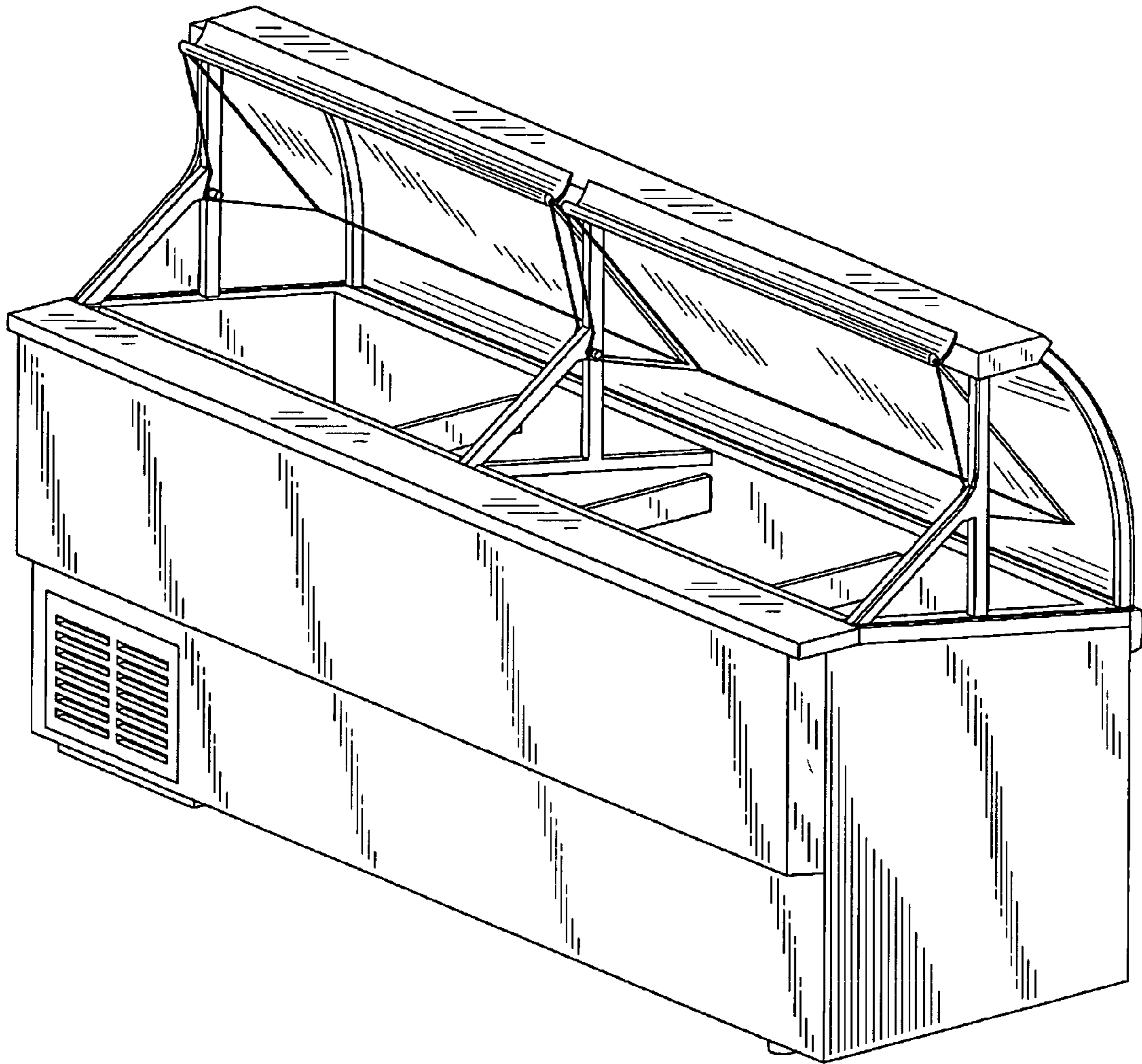


FIG. 9

