



US00D625126S

(12) **United States Design Patent**  
**Seki**

(10) **Patent No.:** **US D625,126 S**

(45) **Date of Patent:** **\*\* \*Oct. 12, 2010**

(54) **FREEZER SHOWCASE**

(75) Inventor: **Ichiro Seki**, Osaka (JP)

(73) Assignee: **Sanyo Electric Co., Ltd.**, Osaka (JP)

(\*) Notice: This patent is subject to a terminal disclaimer.

(\*\*) Term: **14 Years**

(21) Appl. No.: **29/309,932**

(22) Filed: **Nov. 14, 2008**

(30) **Foreign Application Priority Data**

Jul. 15, 2008 (JP) ..... 2008-018219

(51) **LOC (9) Cl.** ..... **06-04**

(52) **U.S. Cl.** ..... **D6/472**

(58) **Field of Classification Search** ..... D6/396,  
D6/397, 432-448, 470-478; 312/107, 114,  
312/115, 116, 117, 138.1, 137, 204, 401,  
312/404, 405, 407, 407.1; D15/79, 81-85;  
206/216, 477, 486; 362/125, 127, 133; 62/256  
See application file for complete search history.

(56) **References Cited**

**U.S. PATENT DOCUMENTS**

- D49,285 S \* 6/1916 Simpson ..... D6/471
- D96,837 S \* 9/1935 Hormes ..... D6/471
- D101,531 S \* 10/1936 Hoke ..... D6/471
- D106,228 S \* 9/1937 Ahrens ..... D6/471
- D109,395 S \* 4/1938 Footlik ..... D6/471
- D115,495 S \* 7/1939 Hayes ..... D6/471
- 2,279,945 A \* 4/1942 Hoffman ..... 312/107

- D141,385 S \* 5/1945 Romadka ..... D6/470
- D142,752 S \* 10/1945 Tyler ..... D6/475
- D142,773 S \* 11/1945 Davis ..... D6/472
- D144,380 S \* 4/1946 Hoffan ..... D6/470
- D146,558 S \* 4/1947 Davis ..... D6/438
- D147,818 S \* 11/1947 Silveira ..... D6/472
- D156,416 S \* 12/1949 Greiling ..... D6/470
- D205,873 S \* 9/1966 Burtis ..... D6/471
- D209,722 S \* 12/1967 Mangini ..... D6/471
- D268,069 S \* 3/1983 Milstein ..... D6/472
- D303,595 S \* 9/1989 Thompson et al. .... D6/472

\* cited by examiner

*Primary Examiner*—Mimosa De

(74) *Attorney, Agent, or Firm*—Rabin & Berdo, PC

(57) **CLAIM**

The ornamental design for a freezer showcase, as shown and described.

**DESCRIPTION**

FIG. 1 is a perspective view of a freezer showcase showing my new design;

FIG. 2 is a front elevation view thereof;

FIG. 3 is a rear elevation view thereof;

FIG. 4 is a top plan view thereof;

FIG. 5 is a bottom plan view thereof;

FIG. 6 is a right side view thereof;

FIG. 7 is a left side view thereof;

FIG. 8 is a rear perspective view thereof showing a state with a opening cover open; and,

FIG. 9 is a sectional view taken on line 9—9 of FIG. 2.

**1 Claim, 7 Drawing Sheets**

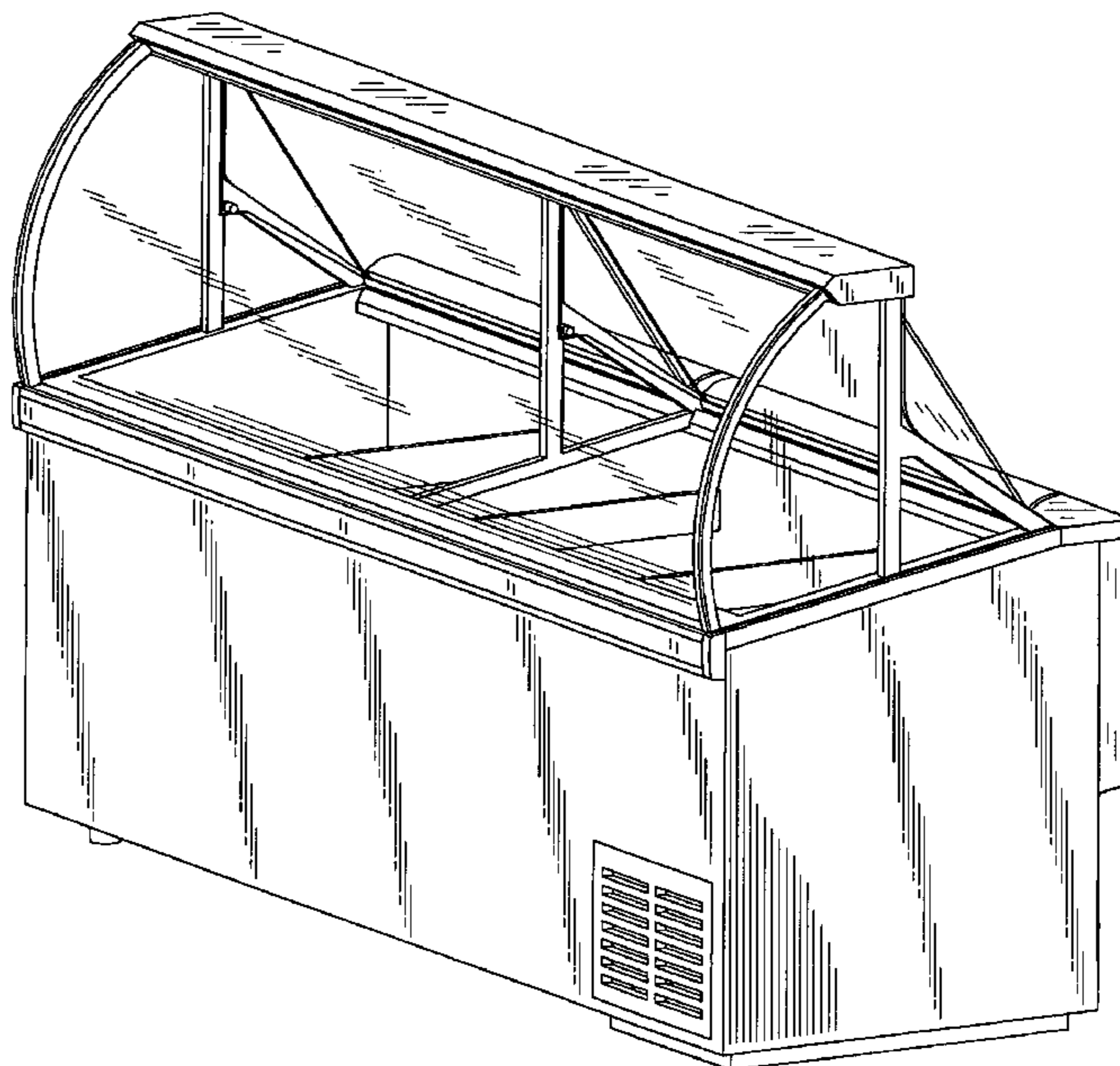


FIG. 1

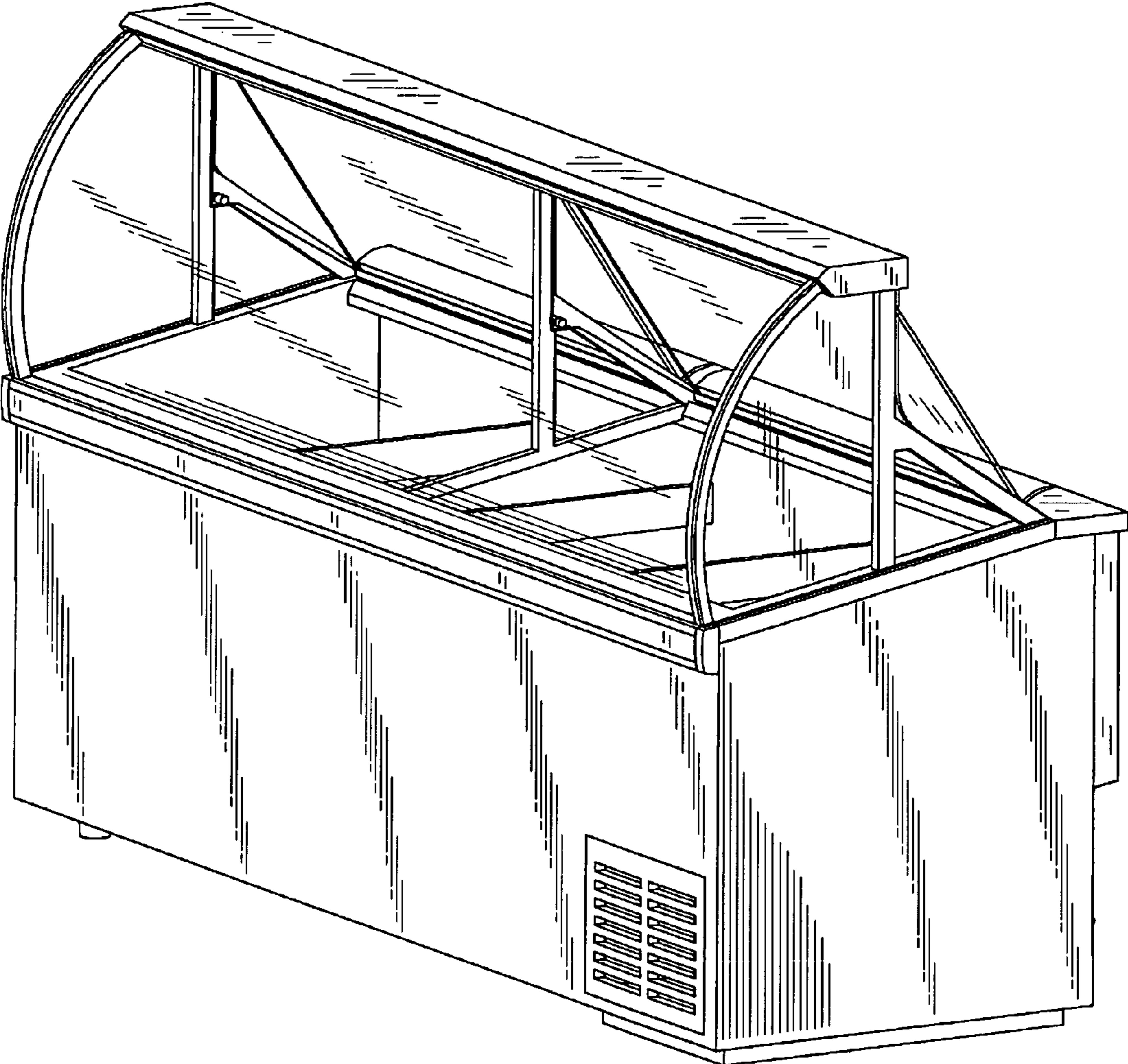


FIG. 2

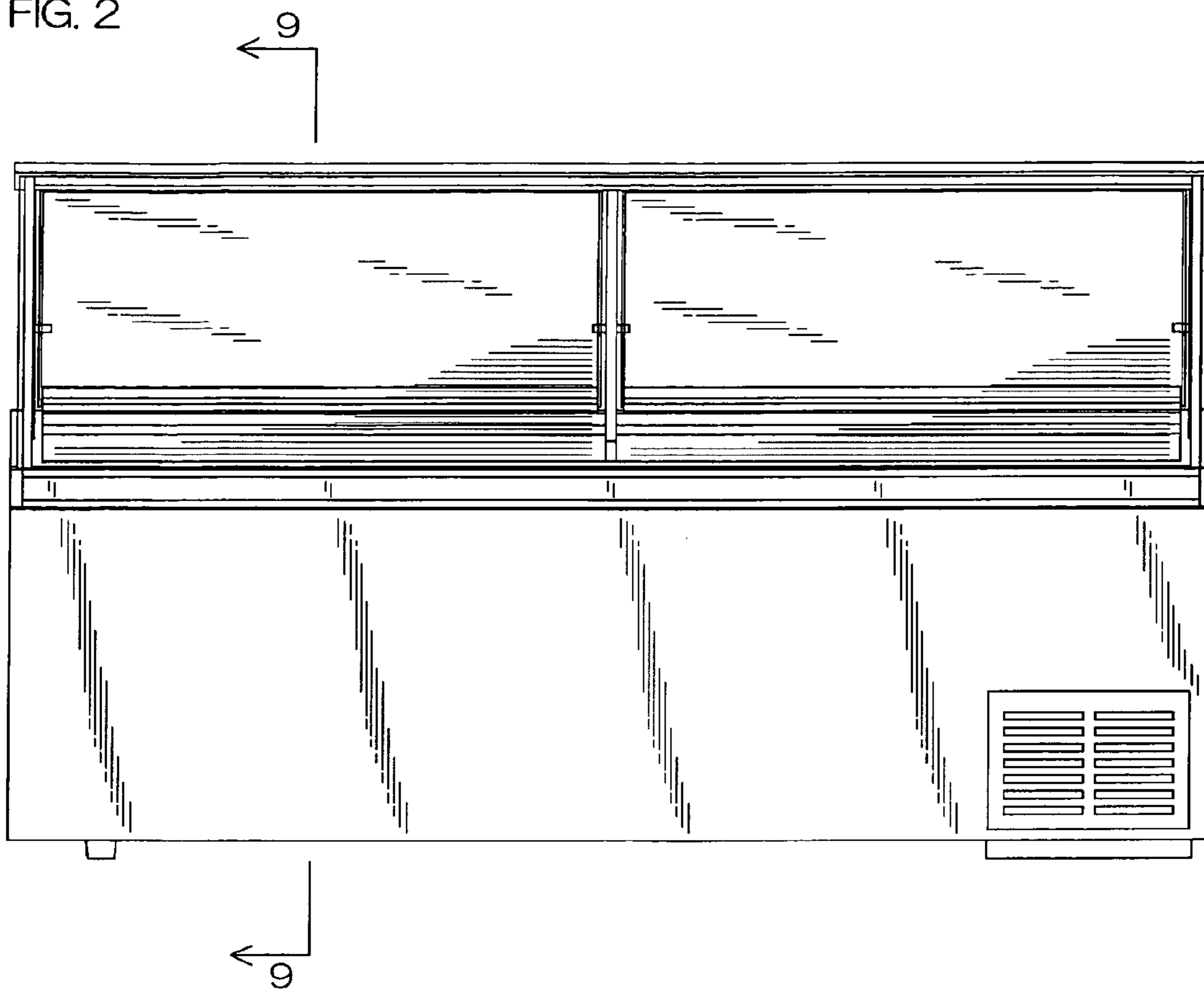


FIG. 3

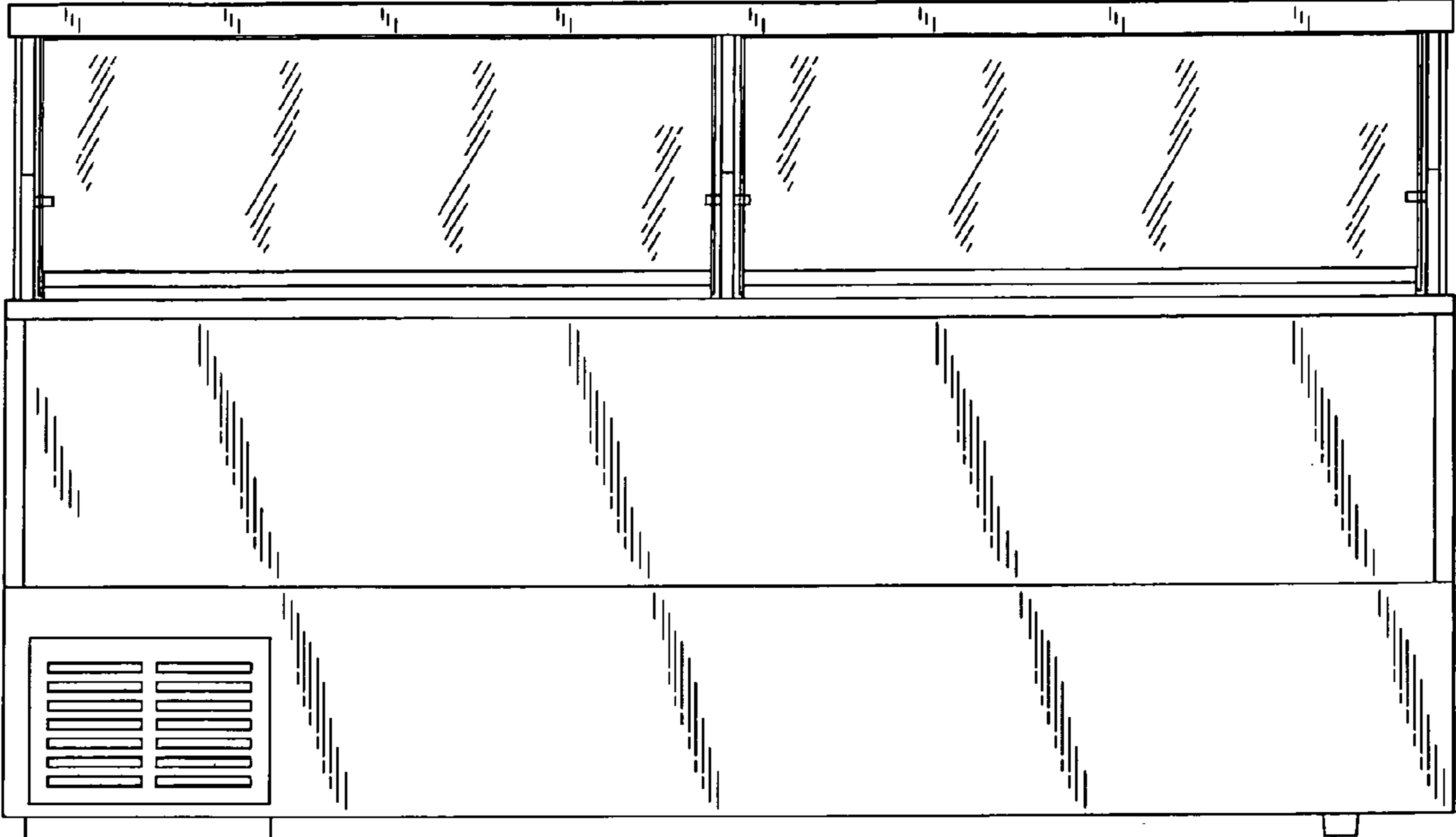


FIG. 4

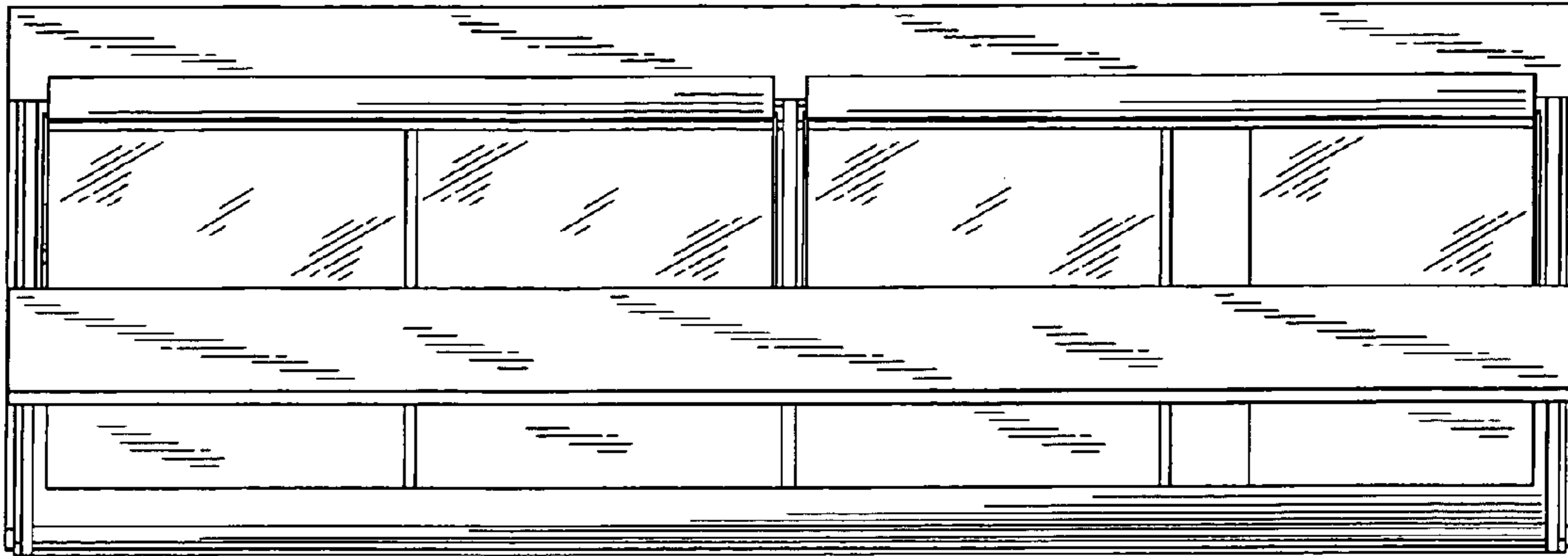


FIG. 5

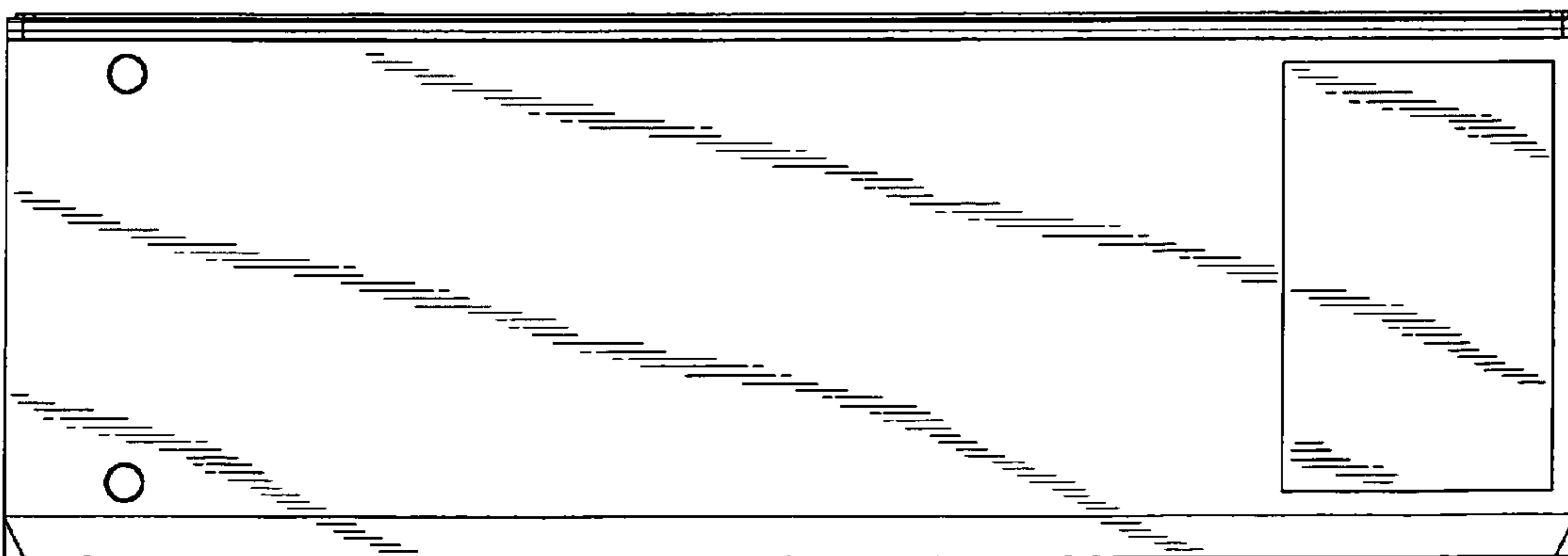


FIG. 6

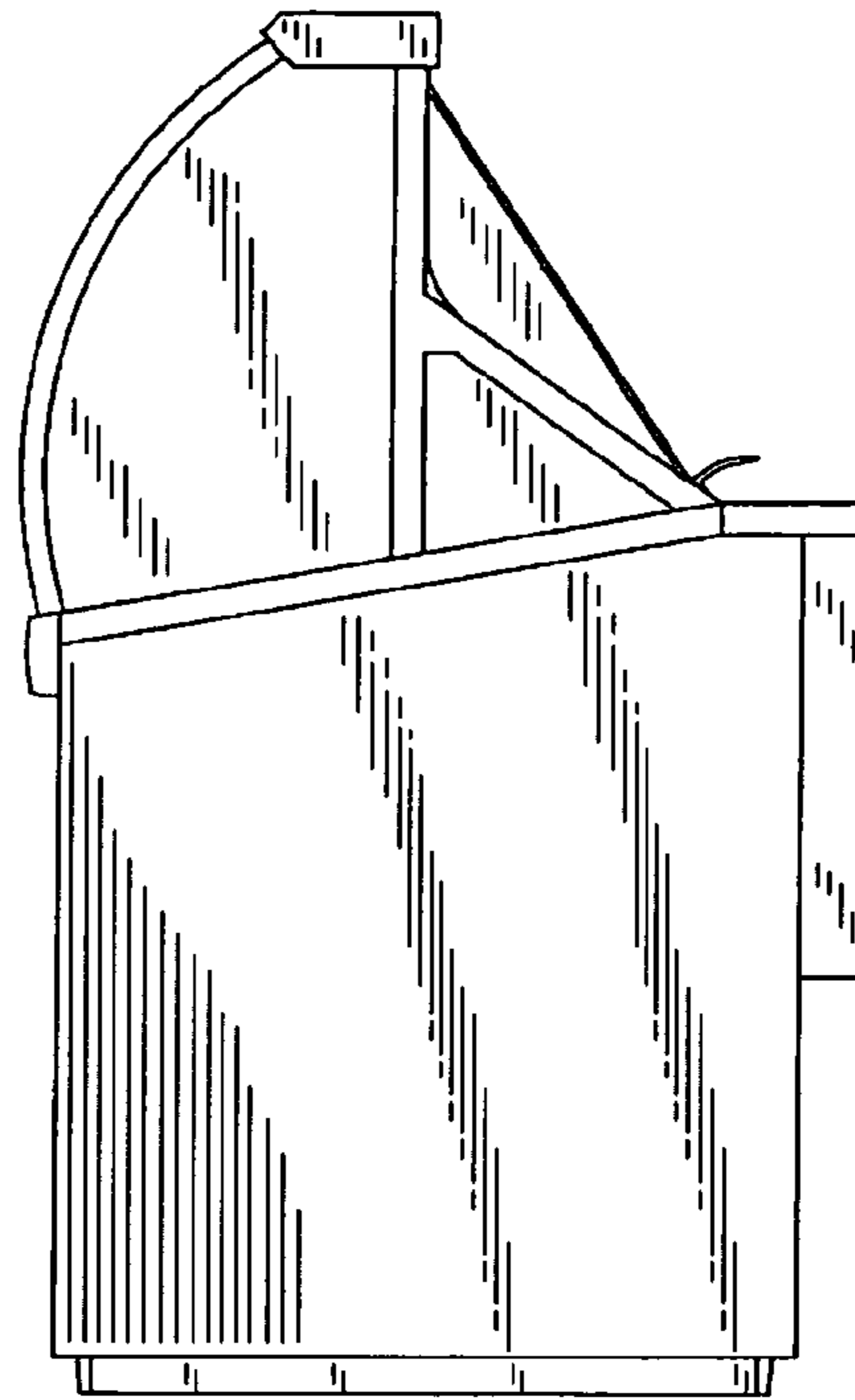


FIG. 7

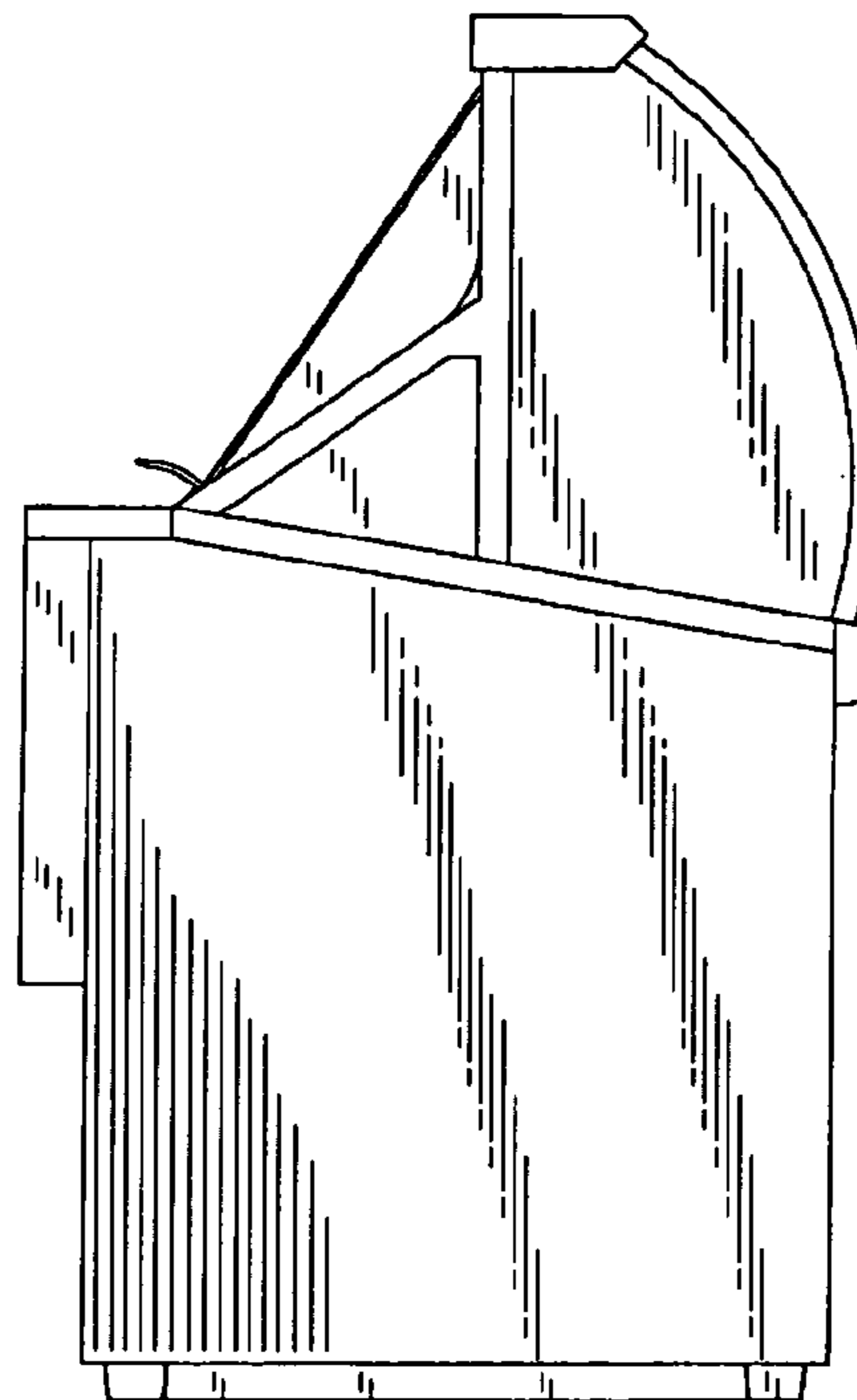


FIG. 8

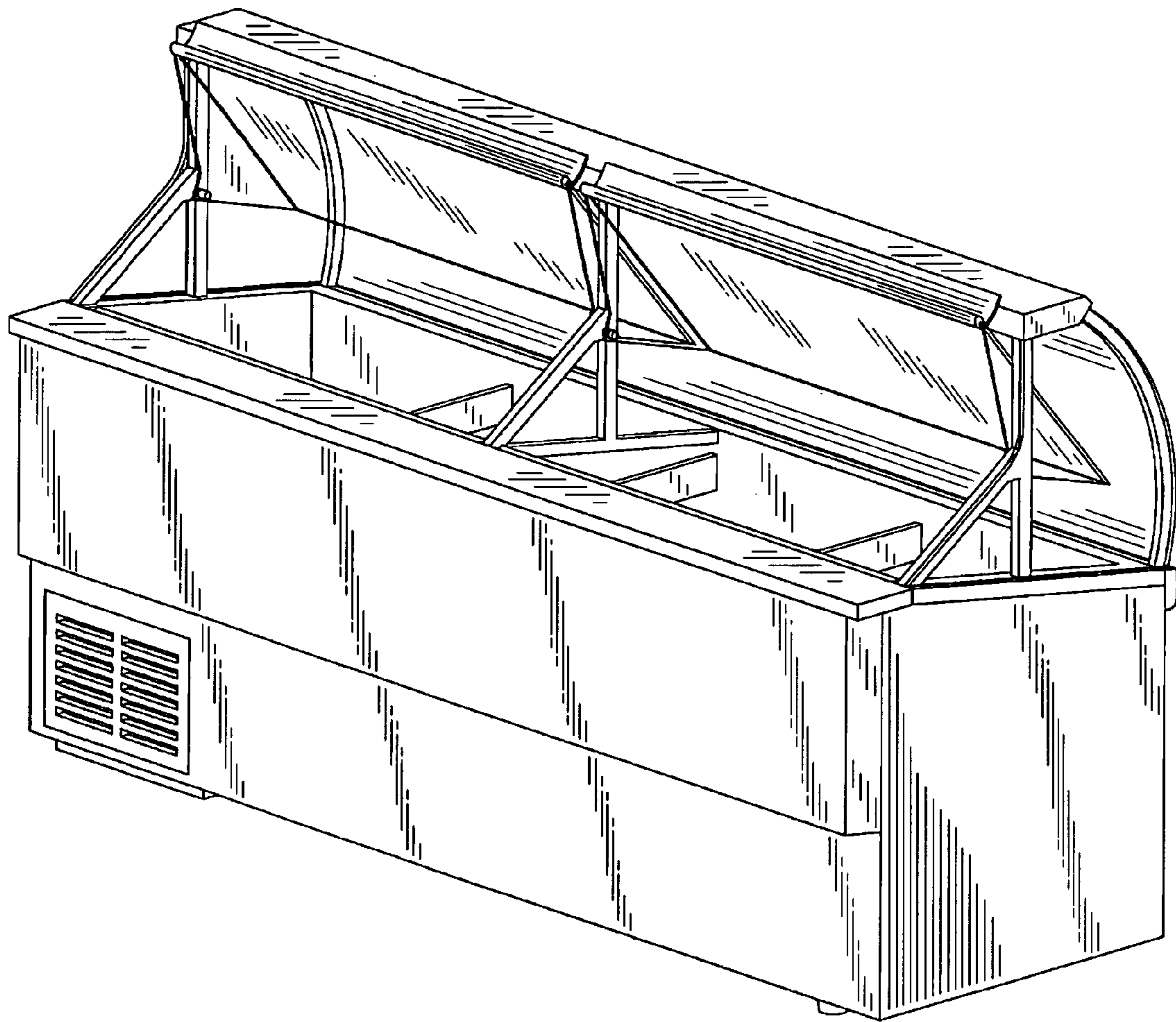


FIG. 9

