



US00D625125S

(12) **United States Design Patent**
Buckles et al.

(10) **Patent No.:** **US D625,125 S**
(45) **Date of Patent:** **** Oct. 12, 2010**

(54) **COOLER**

(75) Inventors: **John Buckles**, Chicago, IL (US); **Daniel Noe**, Frisco, TX (US); **Gregory Butz**, Glenview, IL (US); **Shereen Besselle**, Bronx, NY (US); **Adam Harter**, Danbury, CT (US); **Emad Jafa**, Brewster, NY (US)

(73) Assignee: **PepsiCo, Inc.**, Purchase, NY (US)

(**) Term: **14 Years**

(21) Appl. No.: **29/332,392**

(22) Filed: **Feb. 13, 2009**

(51) **LOC (9) Cl.** **06-04**

(52) **U.S. Cl.** **D6/470**

(58) **Field of Classification Search** D6/396,
D6/397, 432, 436, 470, 471, 472, 475, 476,
D6/479; 312/107, 114, 115, 116, 117, 138.1,
312/137, 204, 236, 401, 404, 405, 407, 407.1;
D15/79, 81-85; 62/246, 251, 339, 373, 440,
62/444, 445, 449

See application file for complete search history.

(56) **References Cited**

U.S. PATENT DOCUMENTS

4,416,380	A	11/1983	Flum	
4,566,211	A	1/1986	Gustafson et al.	
4,676,074	A	6/1987	Morgan, Jr. et al.	
4,815,302	A	3/1989	Aoki et al.	
4,840,439	A	6/1989	Nara et al.	
4,953,362	A	9/1990	Shoji et al.	
D327,591	S *	7/1992	Gogan	D6/470
5,277,486	A	1/1994	Bustos	
5,295,593	A	3/1994	Sturm	
D352,620	S *	11/1994	Geisen et al.	D6/470
D352,850	S *	11/1994	Fujii	D6/479
D360,090	S *	7/1995	Raebel et al.	D6/470
D366,578	S *	1/1996	Cormican et al.	D6/470
D373,689	S *	9/1996	Lladro Roig et al.	D6/436
5,553,934	A	9/1996	Wells et al.	
D388,466	S	12/1997	Yurchak	

D402,138	S *	12/1998	Trulaske, Sr.	D6/470
D402,139	S *	12/1998	Dzurovsak	D6/470
D404,934	S *	2/1999	Summerville et al.	D6/470
6,257,010	B1	7/2001	Shei et al.	

(Continued)

Primary Examiner—Mimosa De
(74) *Attorney, Agent, or Firm*—Banner & Witcoff, Ltd.

(57) **CLAIM**

The ornamental design for a cooler, as shown and described.

DESCRIPTION

FIG. 1 is a front left perspective view of a cooler showing a first embodiment of our new design;

FIG. 2 is a front view thereof;

FIG. 3 is a left view thereof;

FIG. 4 is a right view thereof;

FIG. 5 is a rear view thereof;

FIG. 6 is a front left perspective view of a cooler showing a second embodiment of our new design;

FIG. 7 is a front view thereof;

FIG. 8 is a left view thereof;

FIG. 9 is a right view thereof;

FIG. 10 is a rear view thereof;

FIG. 11 is a front left perspective view of a cooler showing a third embodiment of our new design;

FIG. 12 is a front view thereof;

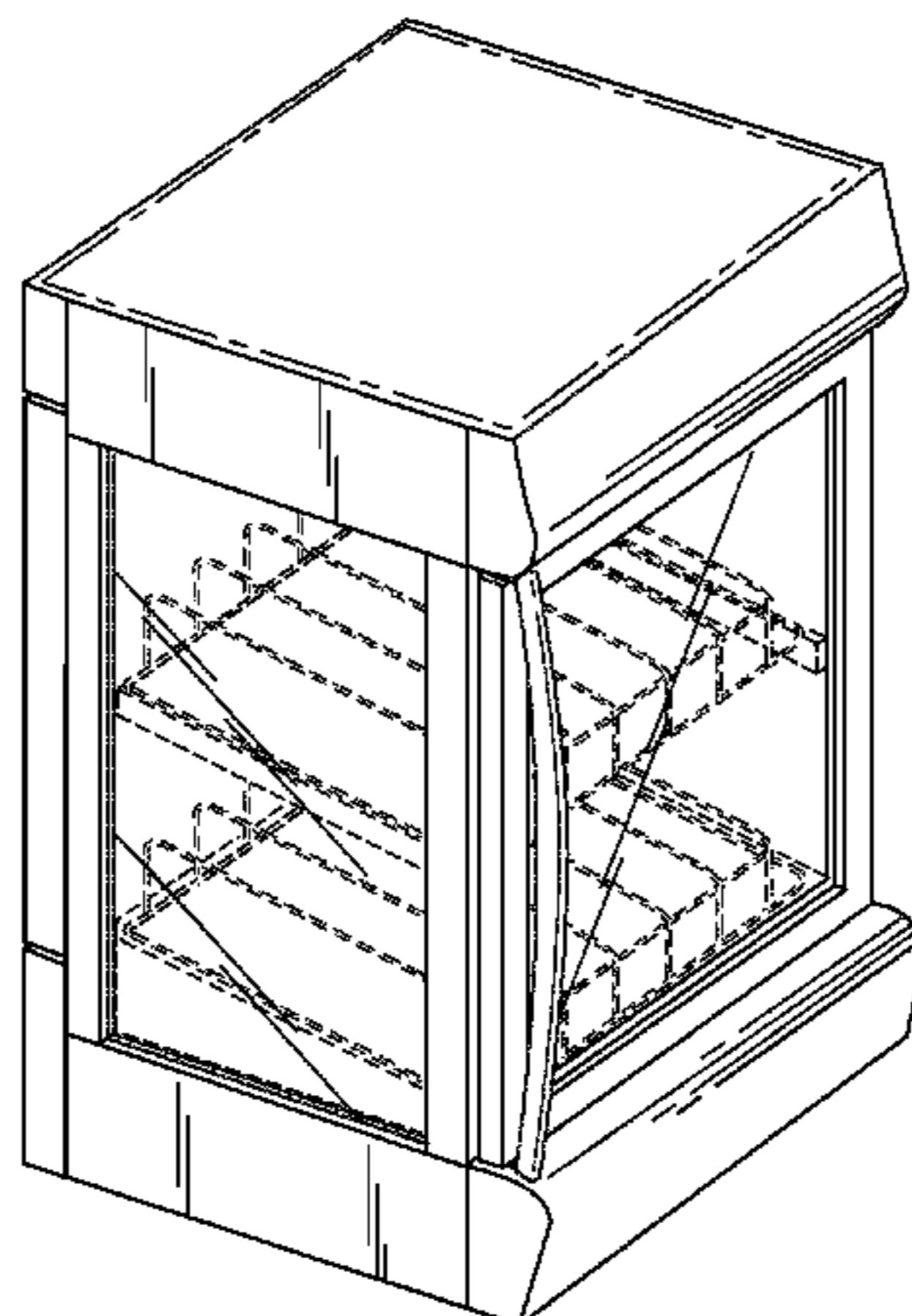
FIG. 13 is a left view thereof;

FIG. 14 is a right view thereof; and,

FIG. 15 is a rear view thereof.

The dot-dash-dot broken line showing represents unclaimed boundaries of the claimed design. The dot-dot broken line showing represents environmental structure and forms no part of the claimed design.

1 Claim, 15 Drawing Sheets



US D625,125 S

Page 2

U.S. PATENT DOCUMENTS

D446,248 S	8/2001	Rawlins	D523,904 S	6/2006	Huffer et al.	
6,351,964 B1	3/2002	Brancheau et al.	D528,346 S	9/2006	Brekke	
6,672,092 B2	1/2004	Ruiz et al.	7,162,885 B2	1/2007	Sakanoue et al.	
6,817,201 B2	11/2004	Yingst	D554,905 S *	11/2007	Kumazawa	D6/470
D503,743 S	4/2005	Huffer et al.	RE040,151 E	3/2008	Shei et al.	
6,971,247 B2	12/2005	Yamazaki et al.	7,360,374 B2	4/2008	LaRose, Jr.	
6,971,250 B1	12/2005	Imre et al.	D594,254 S *	6/2009	Mori	D6/470
			D608,565 S *	1/2010	Mori	D6/470

* cited by examiner

Fig. 1

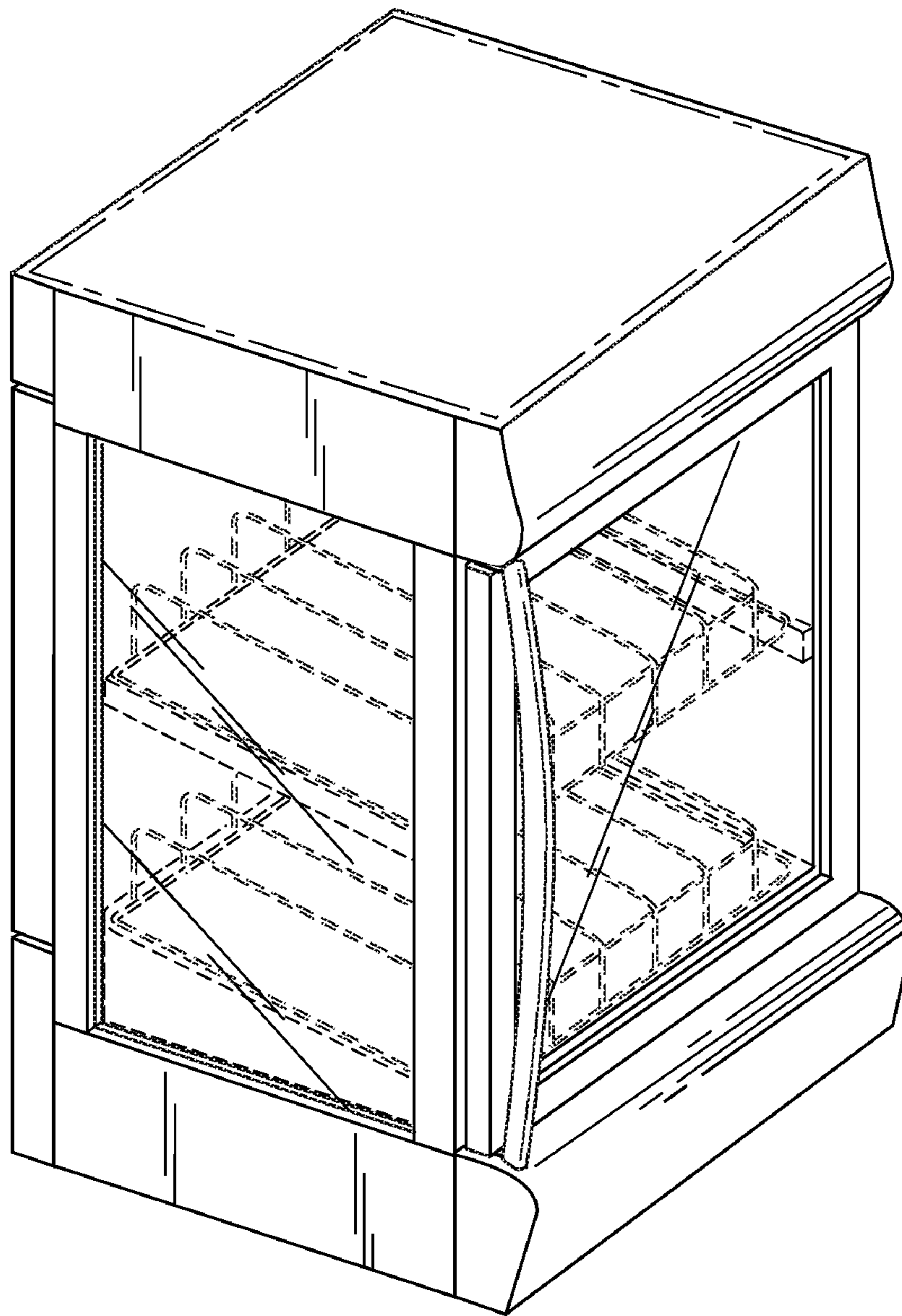


Fig. 2

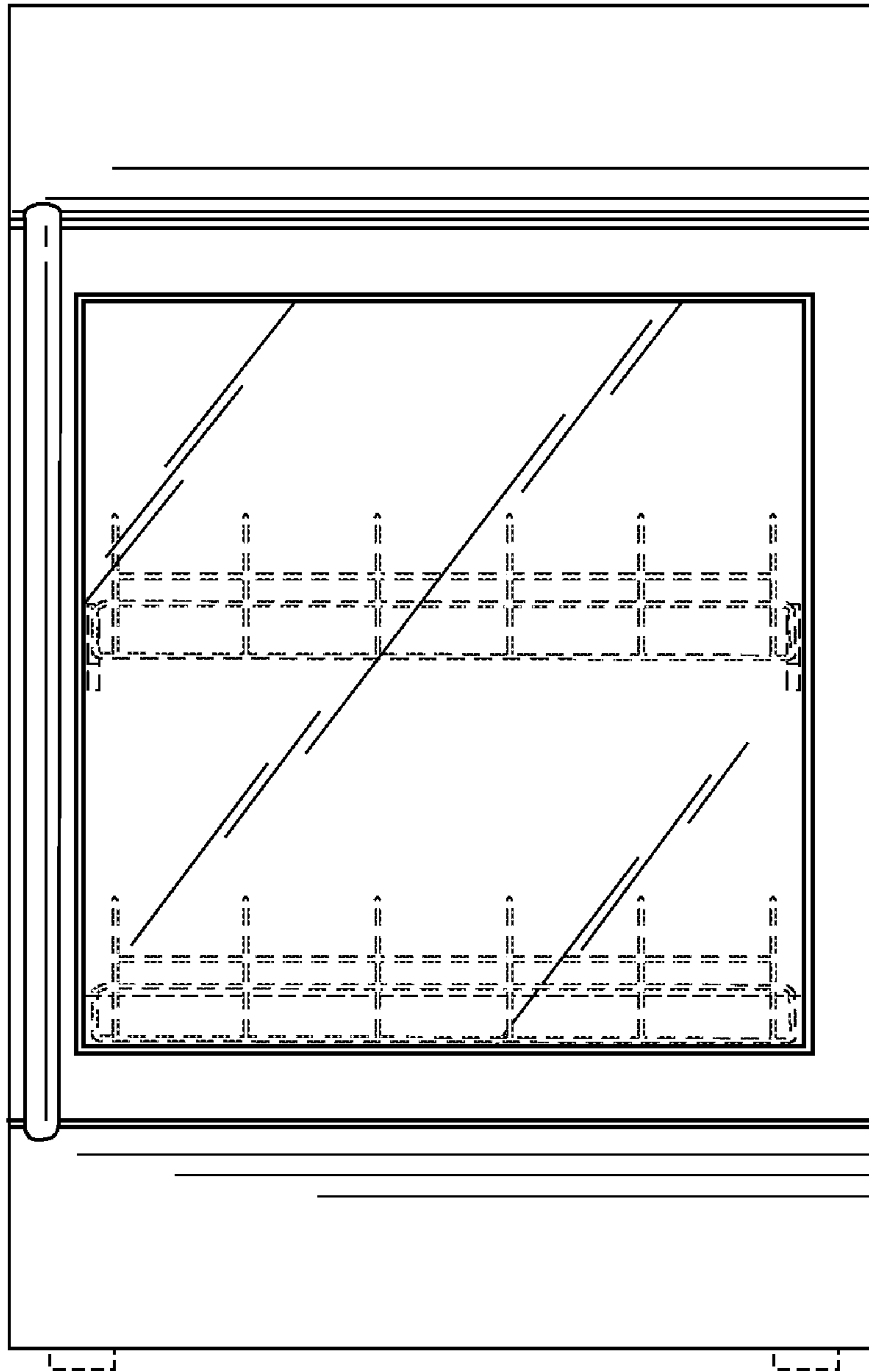


Fig. 3

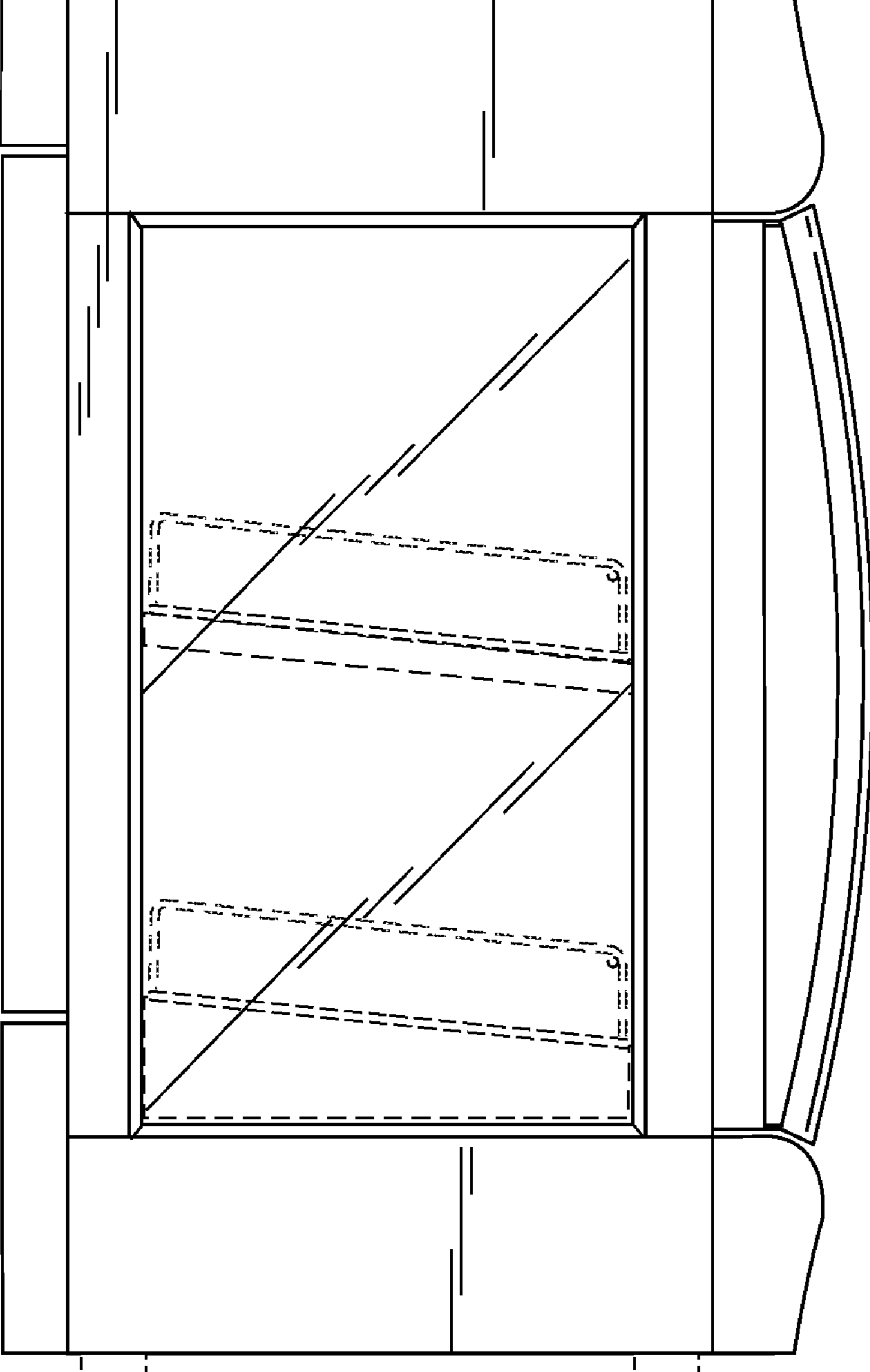


Fig. 4

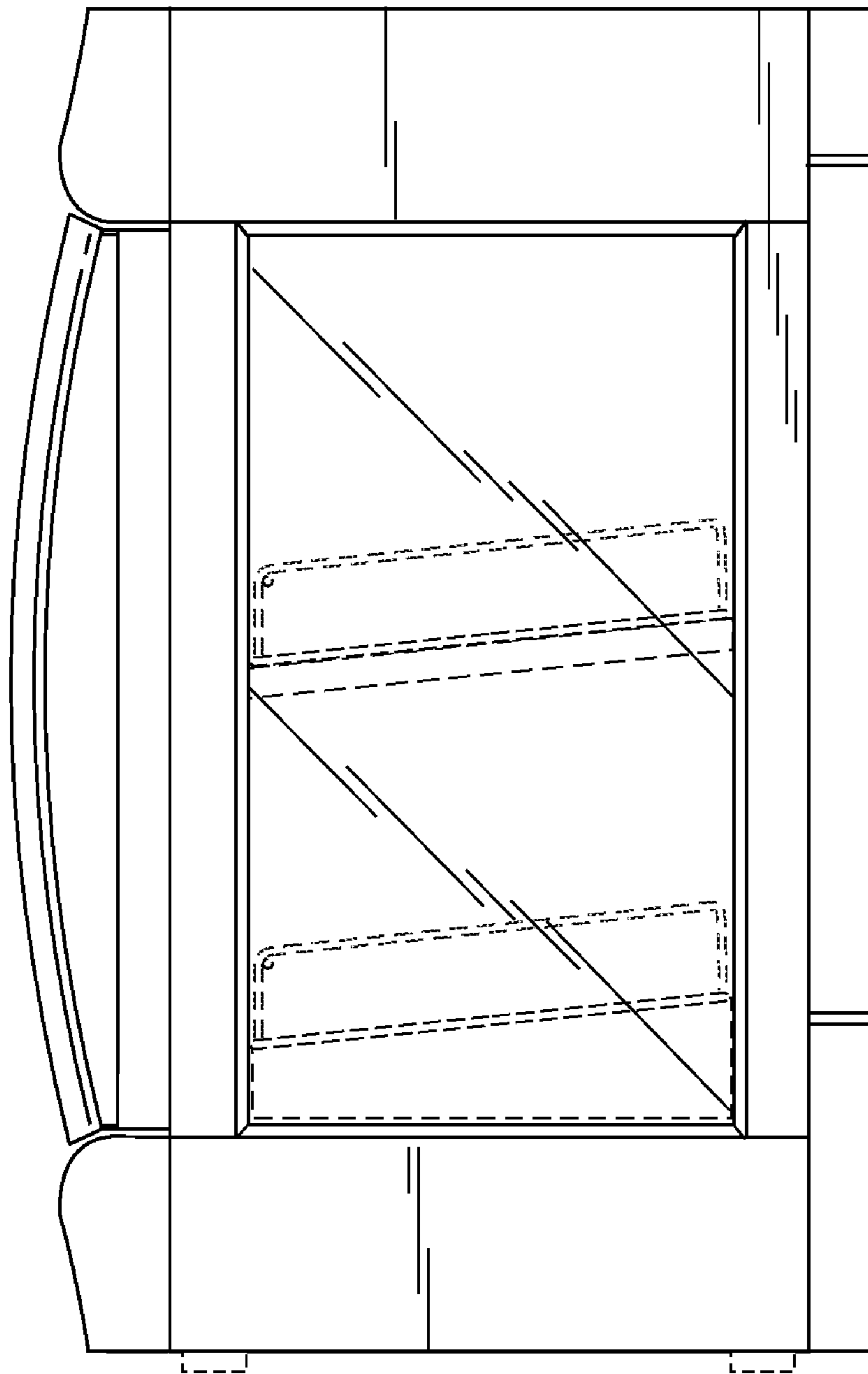


Fig. 5

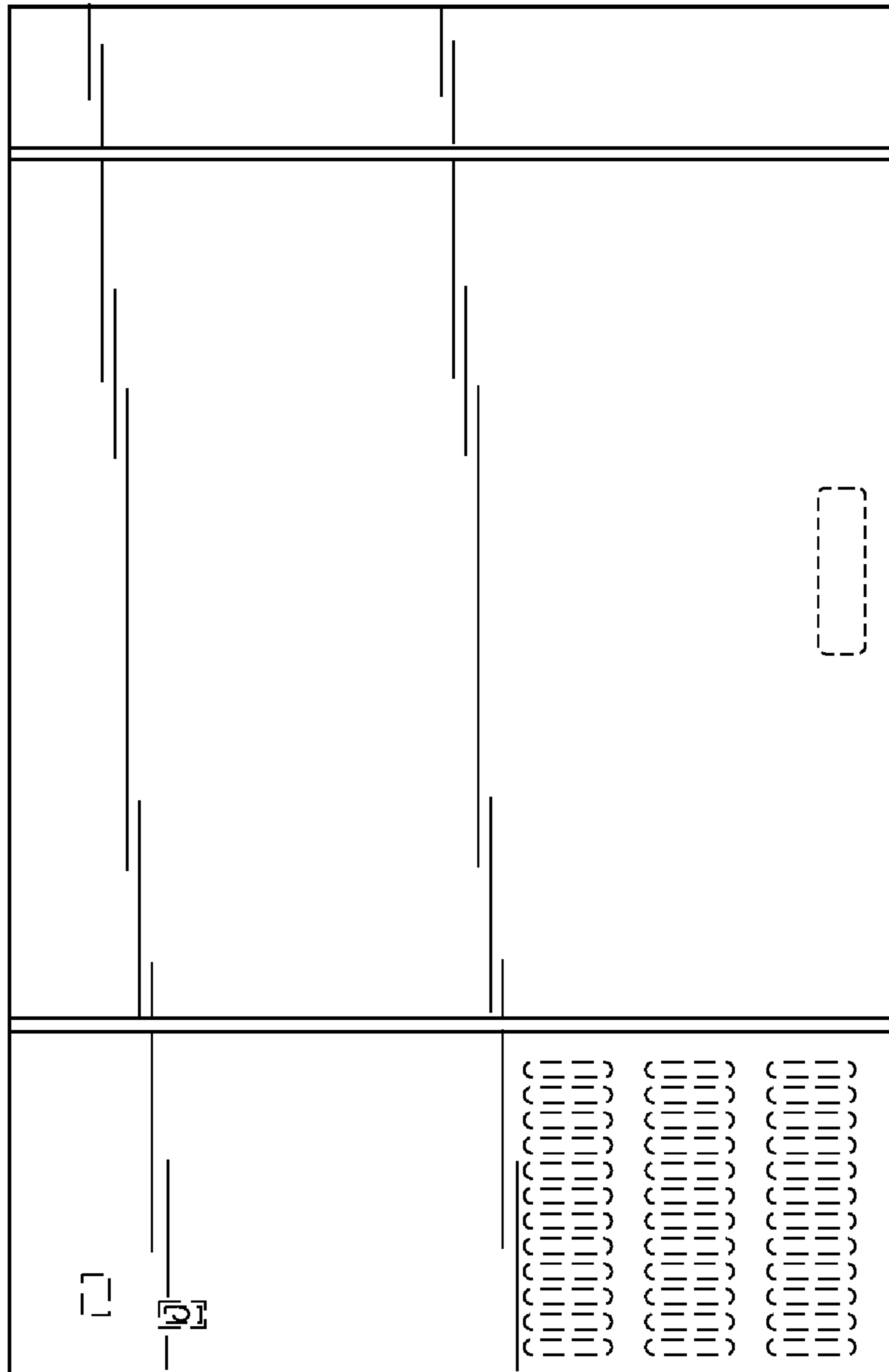


Fig. 6

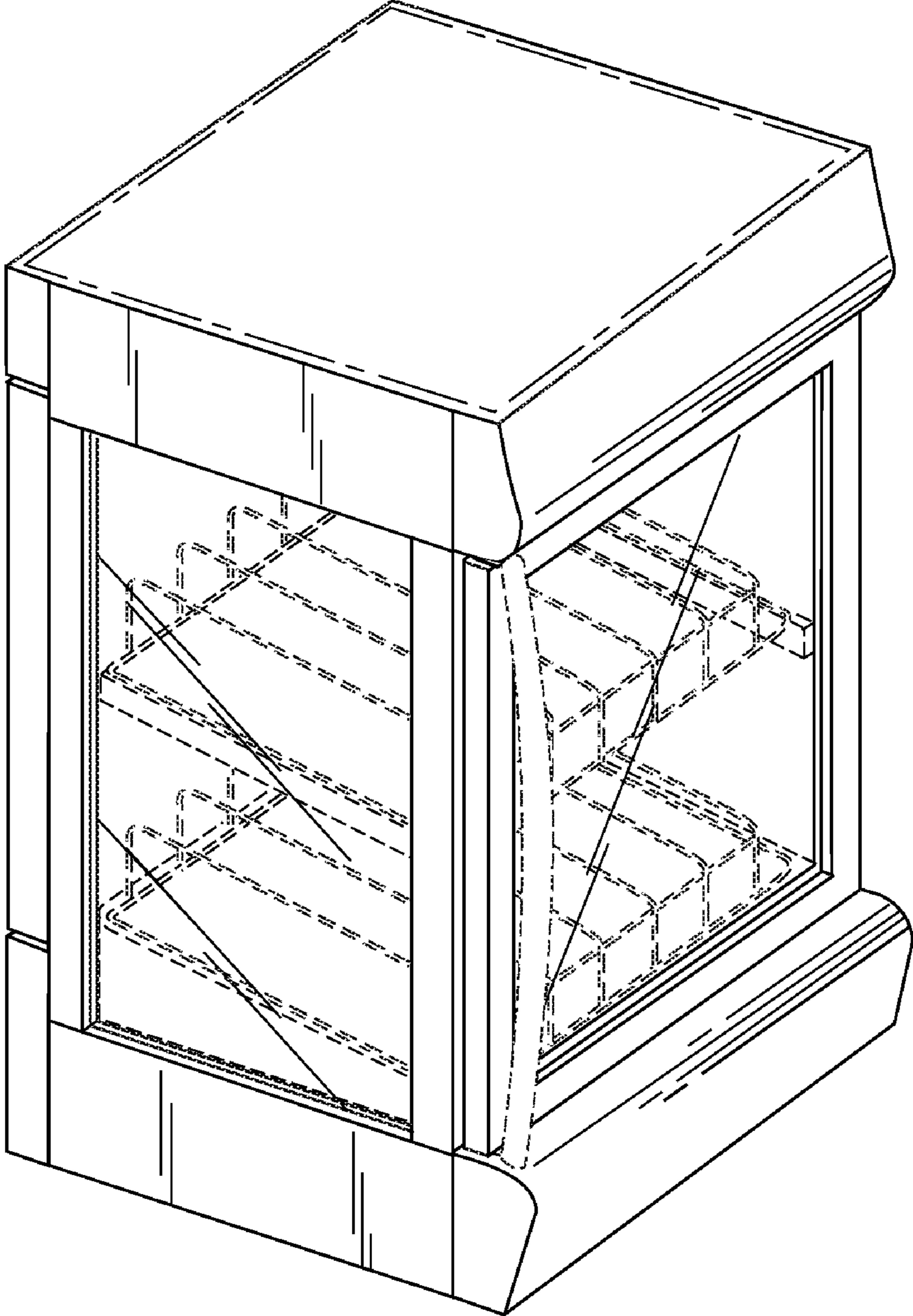


Fig. 7

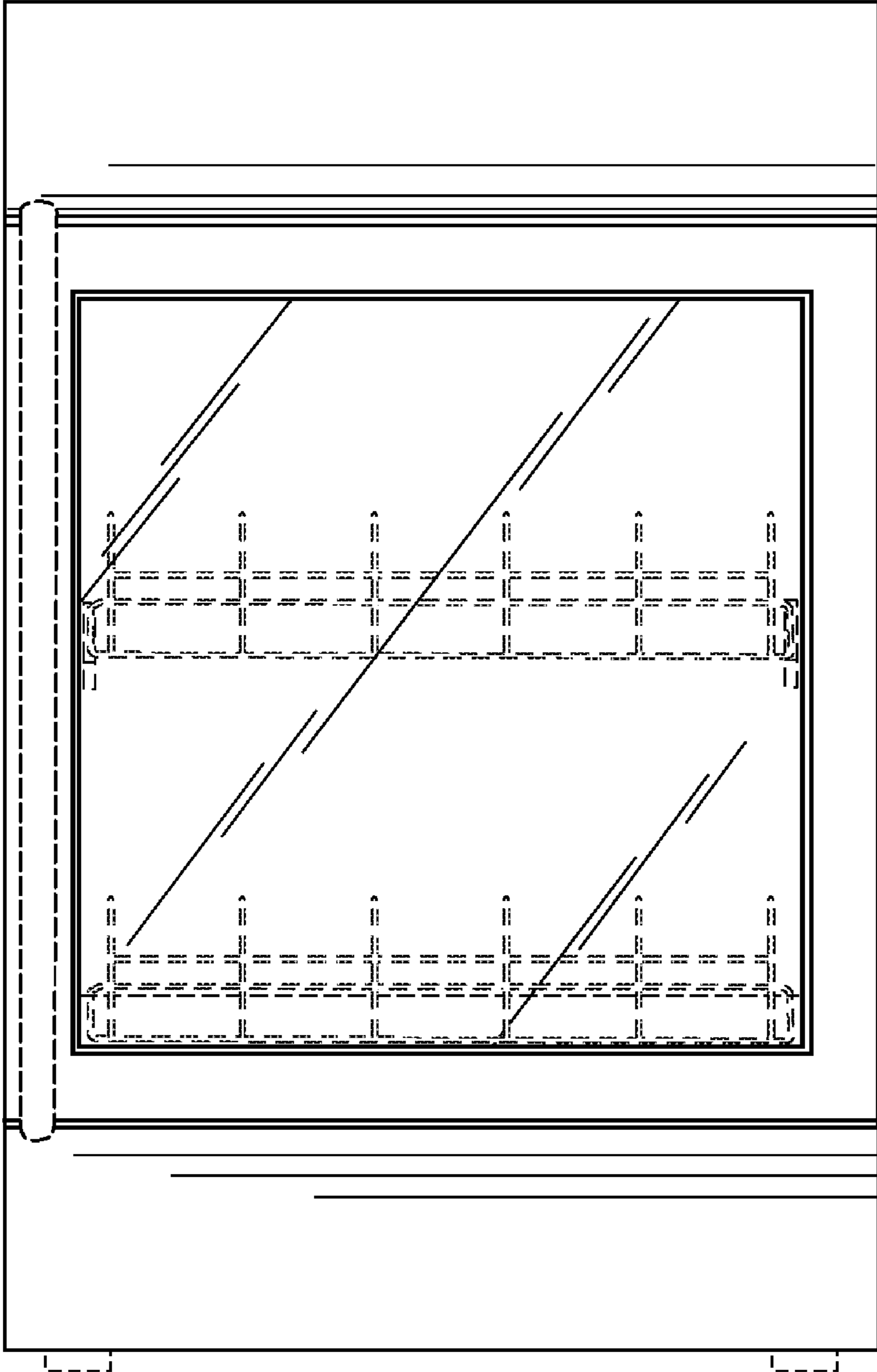


Fig. 8

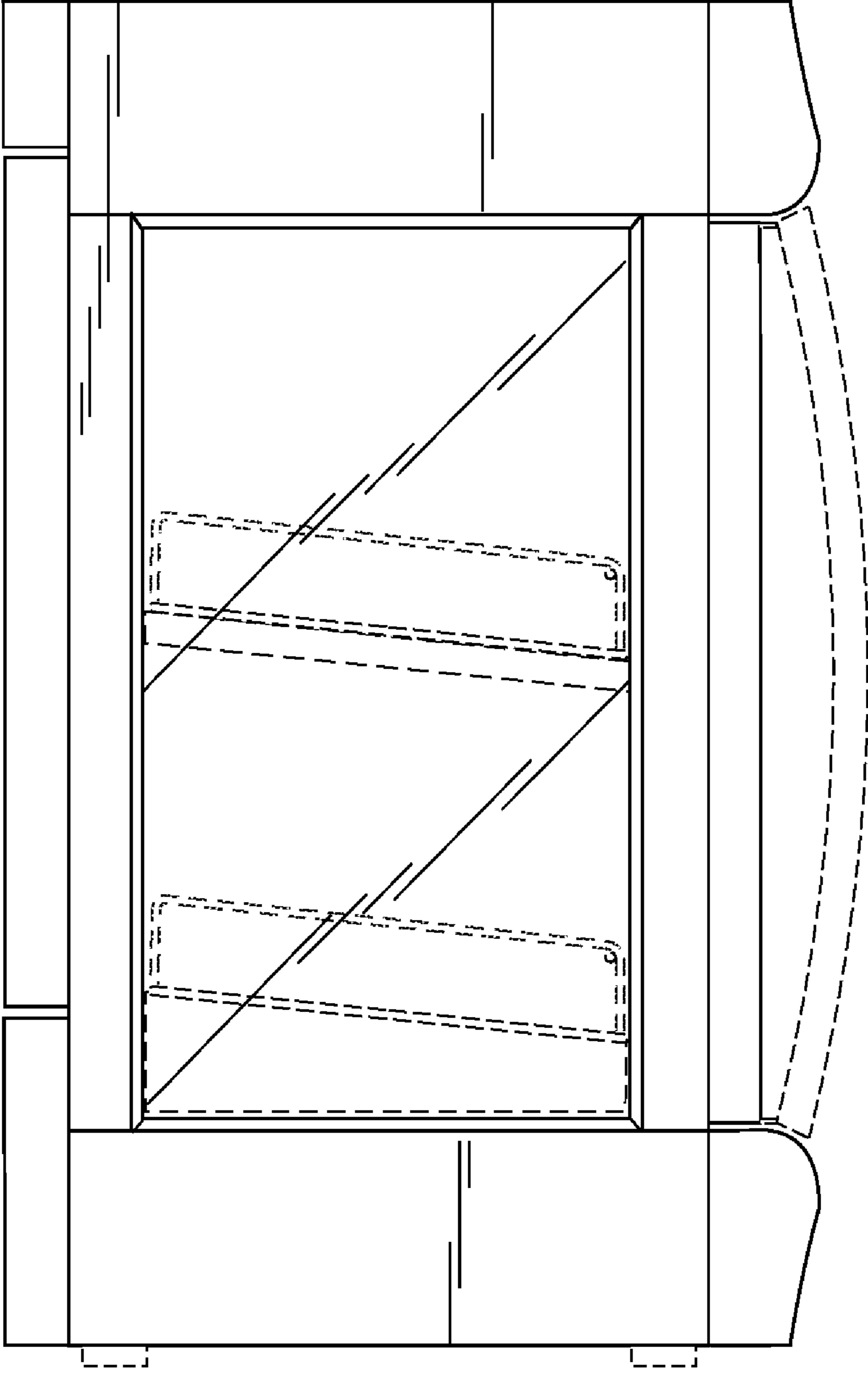


Fig. 9

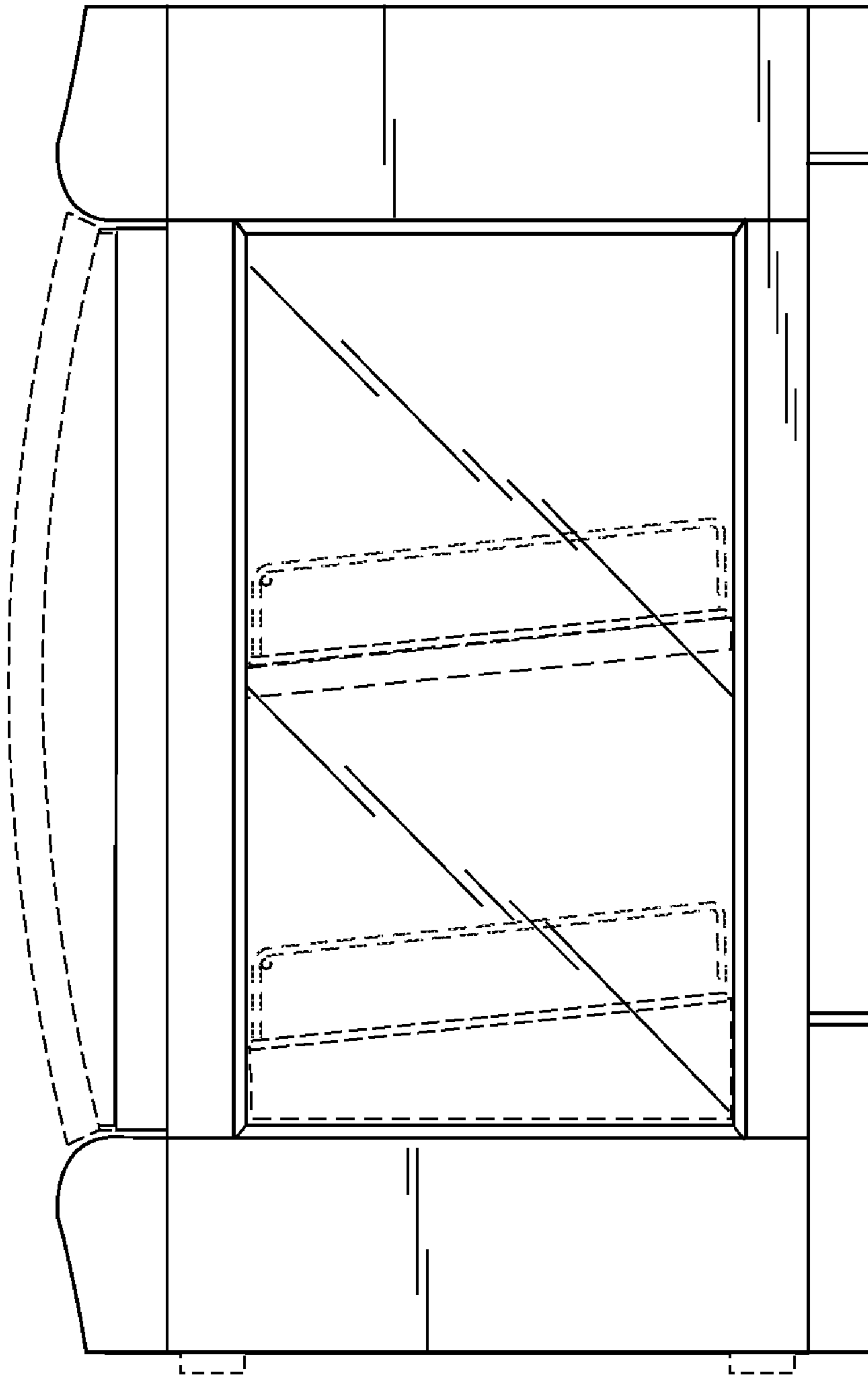


Fig. 10

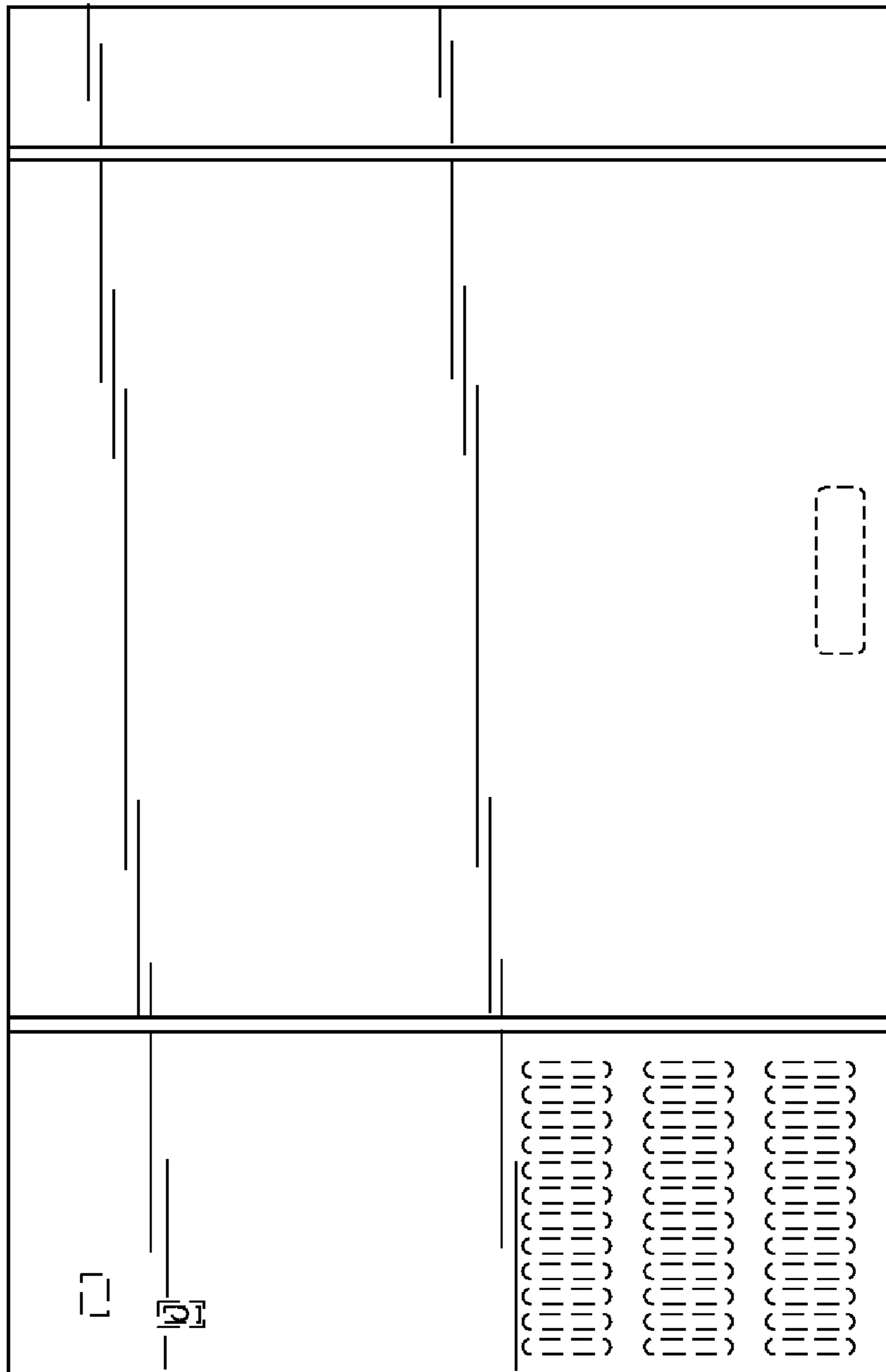


Fig. 11

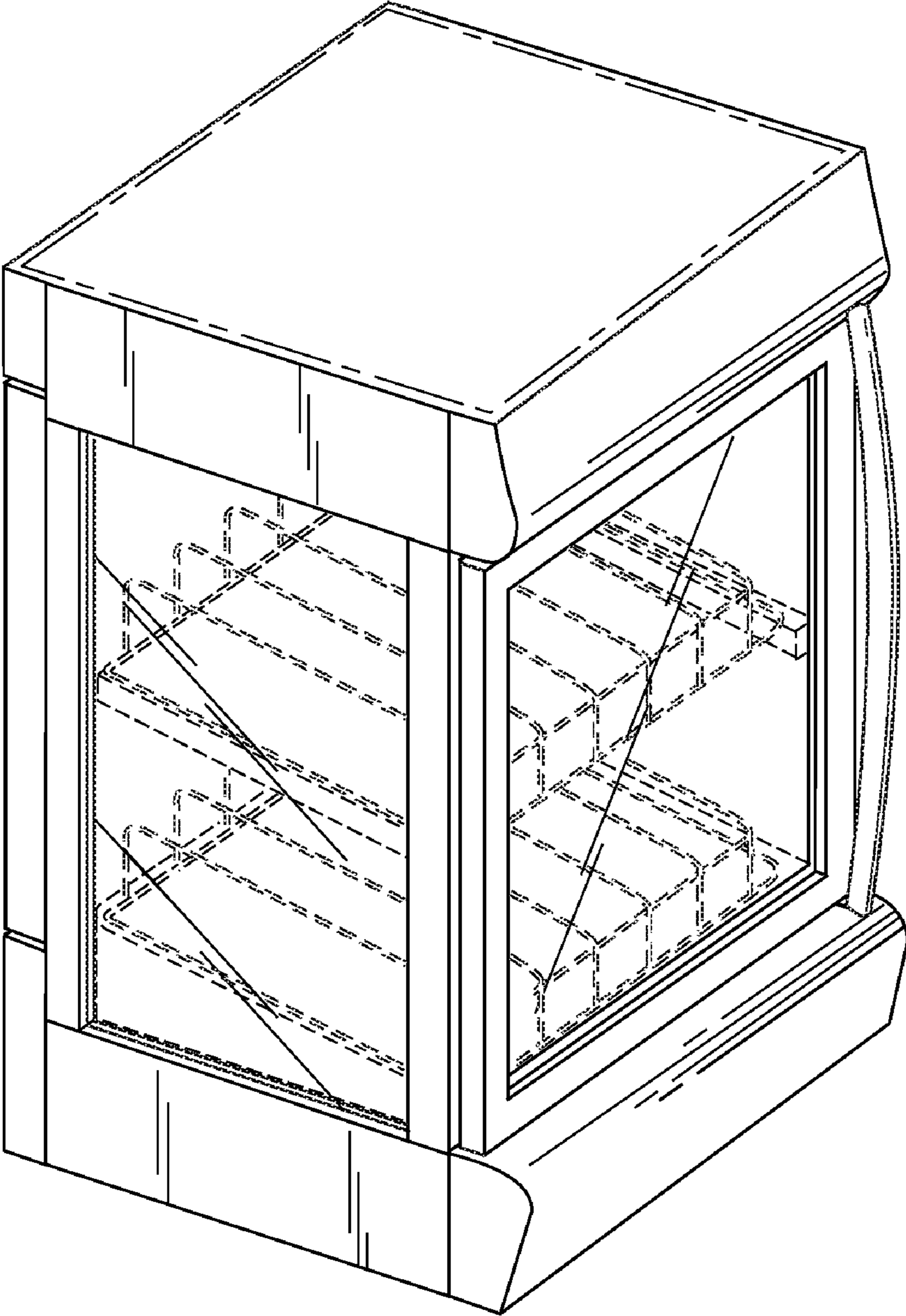


Fig. 12

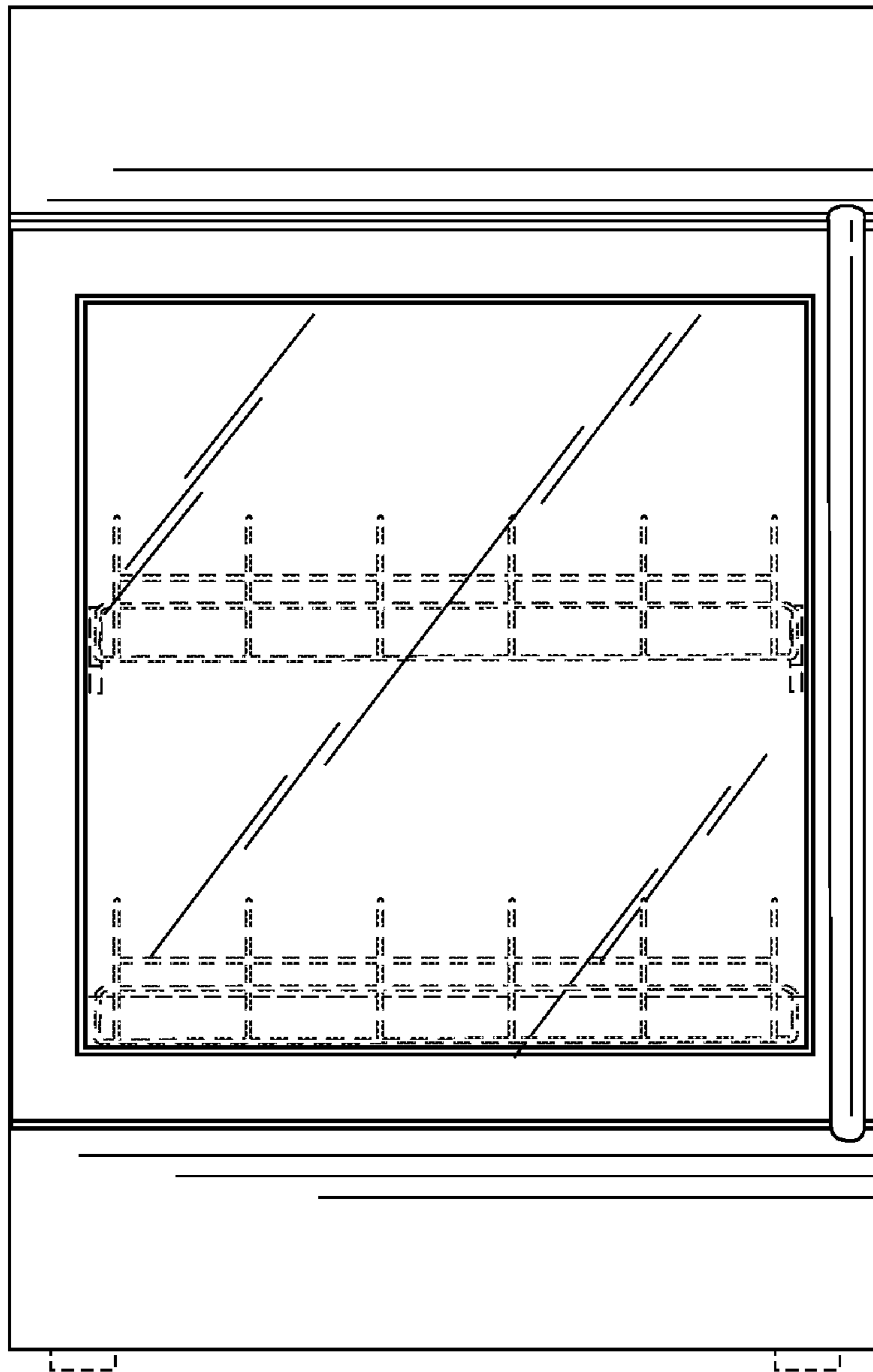


Fig. 13

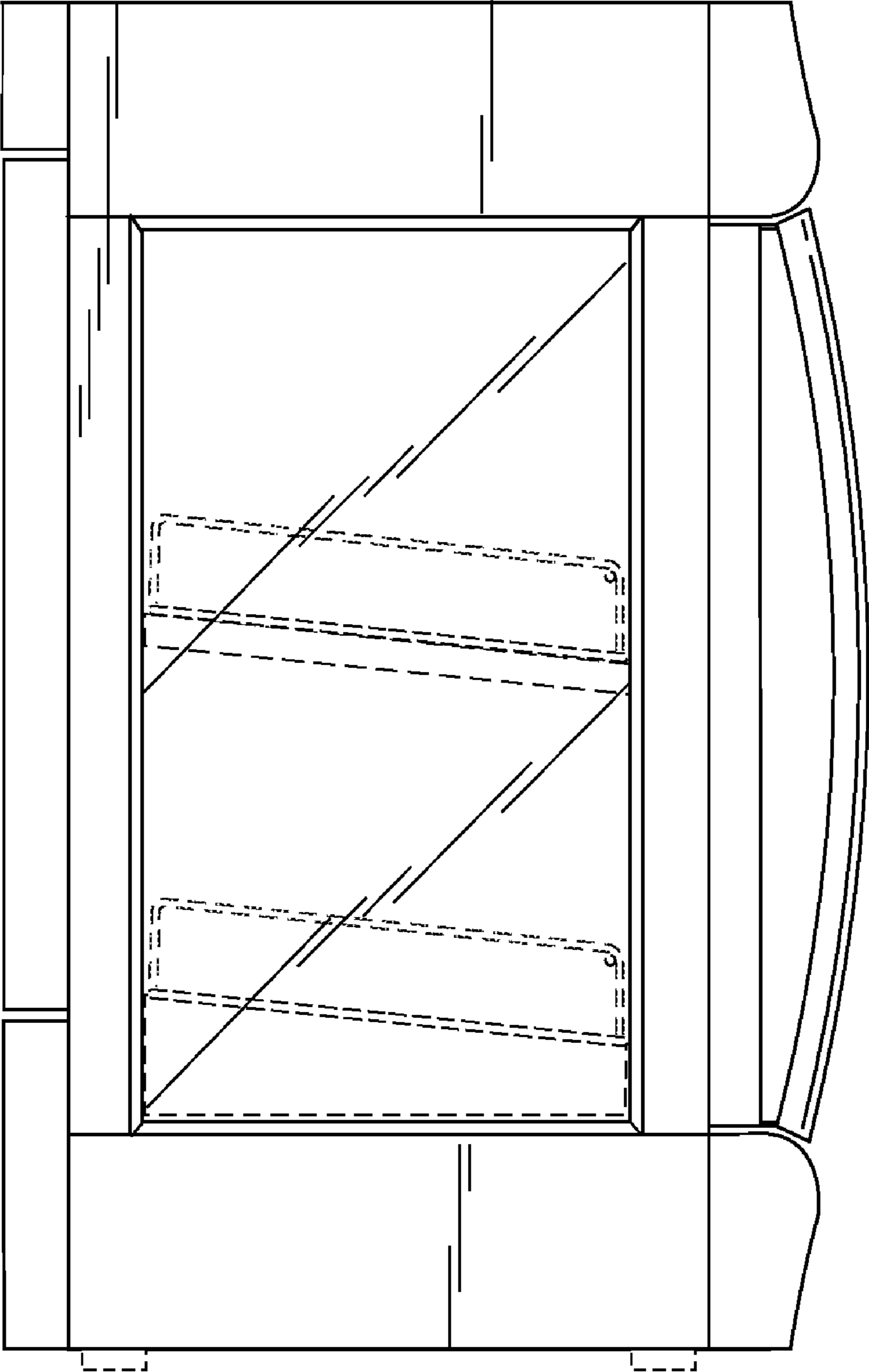


Fig. 14

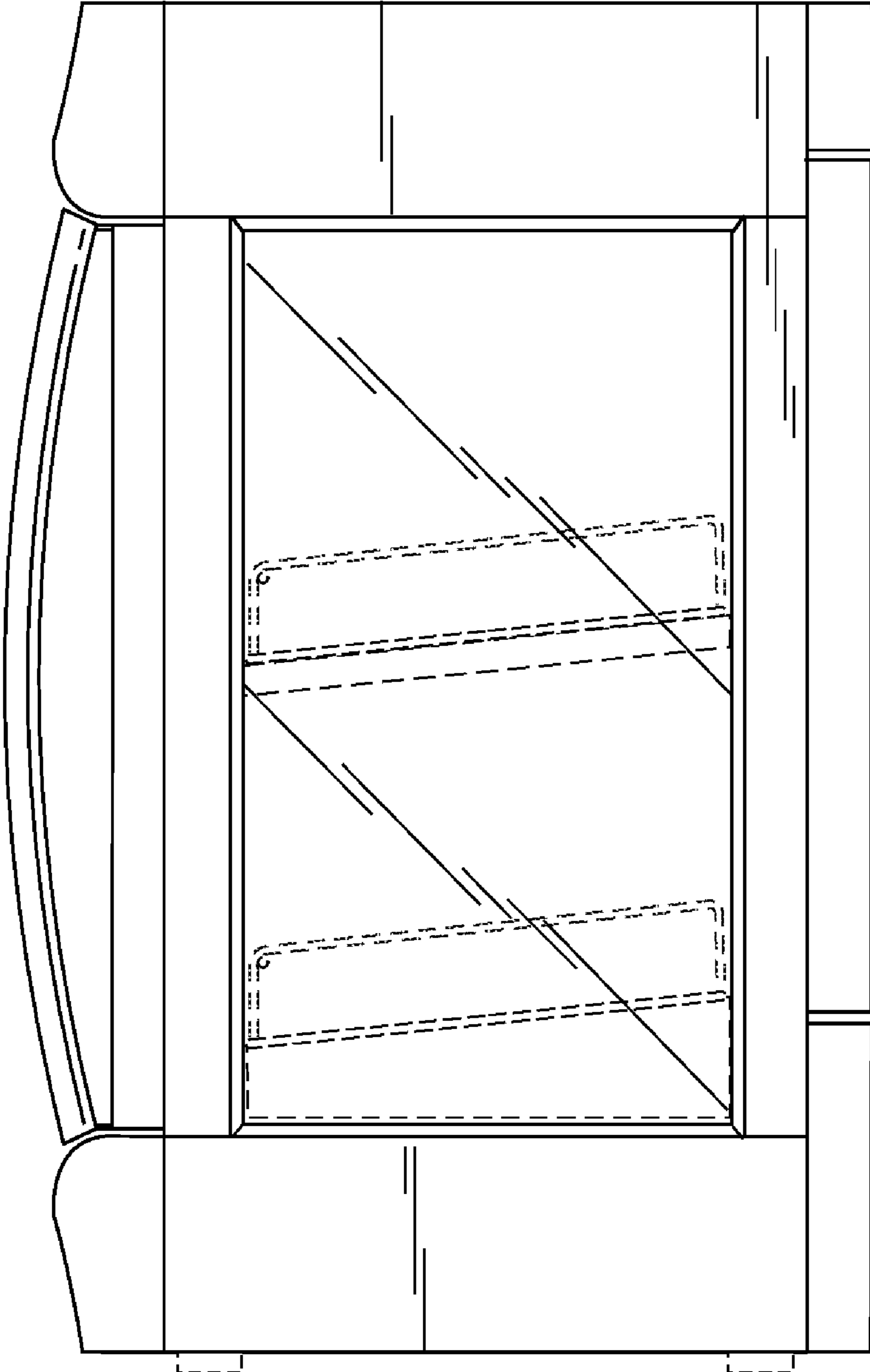


Fig. 15

