



US00D625122S

(12) **United States Design Patent**
Cartaya, III

(10) **Patent No.:** **US D625,122 S**
(45) **Date of Patent:** **** Oct. 12, 2010**

(54) **CABINET FOR A HOME EXERCISE SYSTEM**

(76) **Inventor:** **Jose F. Cartaya, III**, 7000 SW. 63 Ave.,
Miami, FL (US) 33143

(**) **Term:** **14 Years**

(21) **Appl. No.:** **29/340,838**

(22) **Filed:** **Jul. 27, 2009**

(51) **LOC (9) Cl.** **06-04**

(52) **U.S. Cl.** **D6/445**

(58) **Field of Classification Search** D6/396,
D6/397, 432, 436, 445-448; 312/108, 109,
312/114, 118, 119, 138.1, 204, 257.1, 321.5

See application file for complete search history.

(56) **References Cited**

U.S. PATENT DOCUMENTS

D90,690	S	*	9/1933	Wison	D6/445
D355,313	S	*	2/1995	Breen et al.	D6/446
D397,262	S	*	8/1998	Thomas	D6/446
D431,733	S	*	10/2000	Zimmerman	D6/446
D435,741	S	*	1/2001	Schlereth	D6/446
D445,597	S	*	7/2001	Stone et al.	D6/446
6,561,601	B1	*	5/2003	Maffeo	312/257.1
D496,540	S	*	9/2004	Moon et al.	D6/446
D514,353	S	*	2/2006	Nowotarski et al.	D6/446
D518,310	S	*	4/2006	Mehmen et al.	D6/441
D526,816	S	*	8/2006	Nowotarski et al.	D6/446
D532,626	S	*	11/2006	McDiarmid et al.	D6/446
D532,627	S	*	11/2006	Nowotarski et al.	D6/446

* cited by examiner

Primary Examiner—Mimosa De

(74) *Attorney, Agent, or Firm*—Allen, Dyer, Doppelt,
Milbrath & Gilchrist, P.A.

(57) **CLAIM**

The ornamental design for a cabinet for a home exercise system, as shown and described.

DESCRIPTION

FIG. 1 is a right perspective view of the front of the home exercise system of the present invention having both doors in a closed position.

FIG. 2 is a right perspective view of the front of the home exercise system, showing the curved left door open.

FIG. 3 is a right perspective view of the front of the home exercise system, showing both the curved left and right doors open.

FIG. 4 is the right side view of the home exercise system.

FIG. 5 is a rear view of the home exercise system.

FIG. 6 is a top view of the home exercise system.

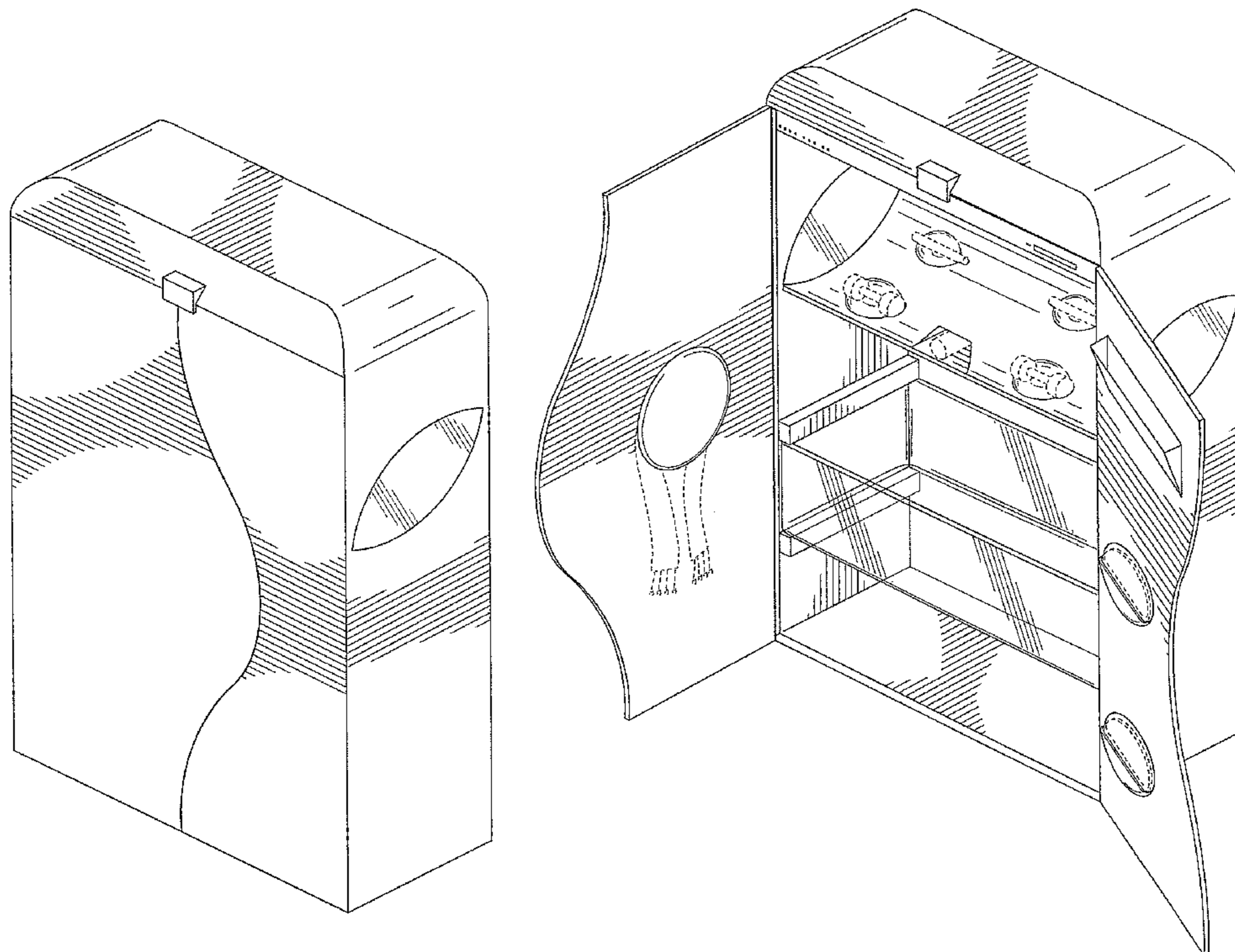
FIG. 7 is a bottom view of the home exercise system.

FIG. 8 is a front view of the front of the home exercise system, of the present invention having both doors in a closed position; and,

FIG. 9 is a perspective view of the back and top side of the home exercise system.

The broken lines shown in the drawing are for illustrative purposes only and form no part of the claimed design.

1 Claim, 8 Drawing Sheets



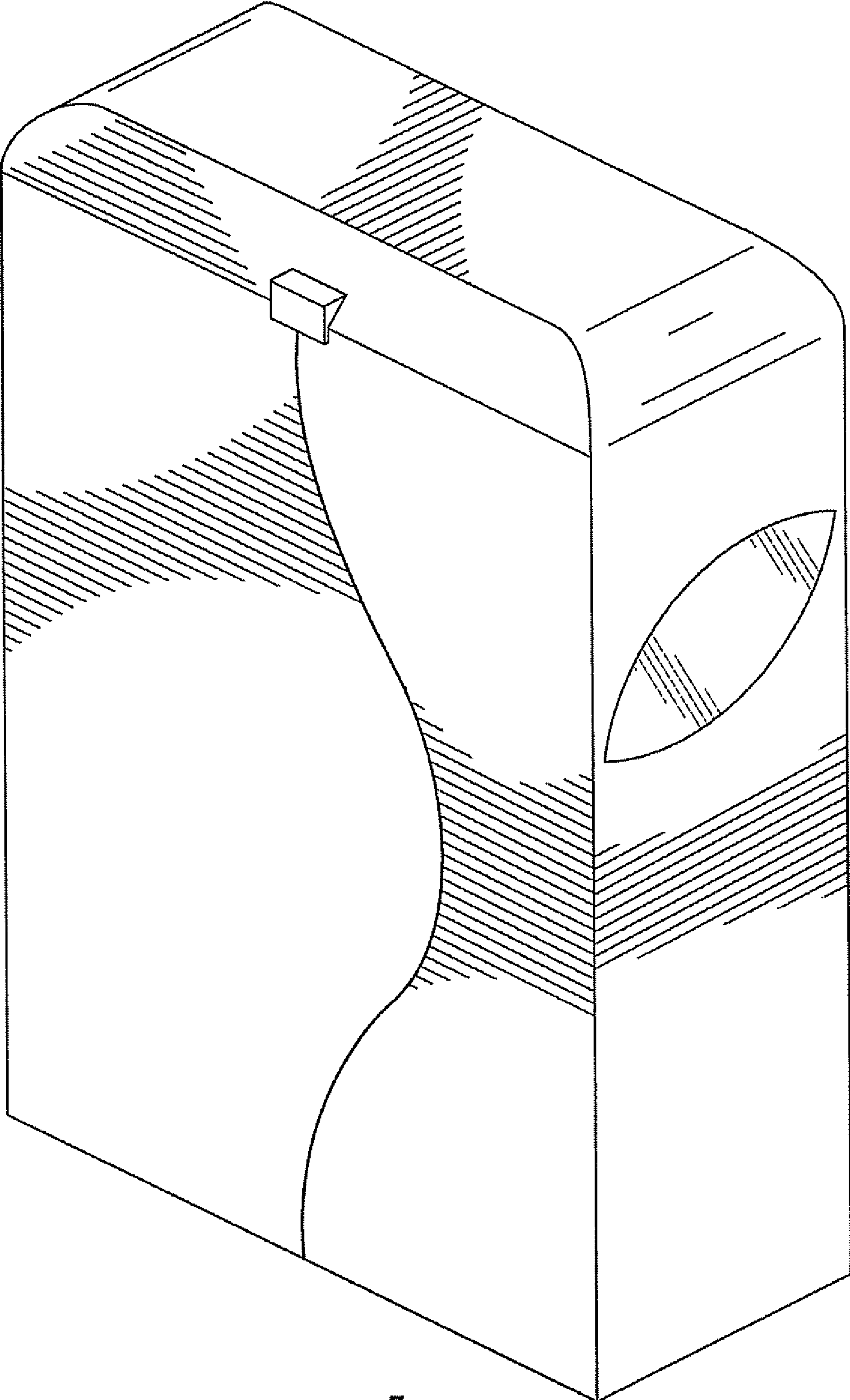


FIG. 1

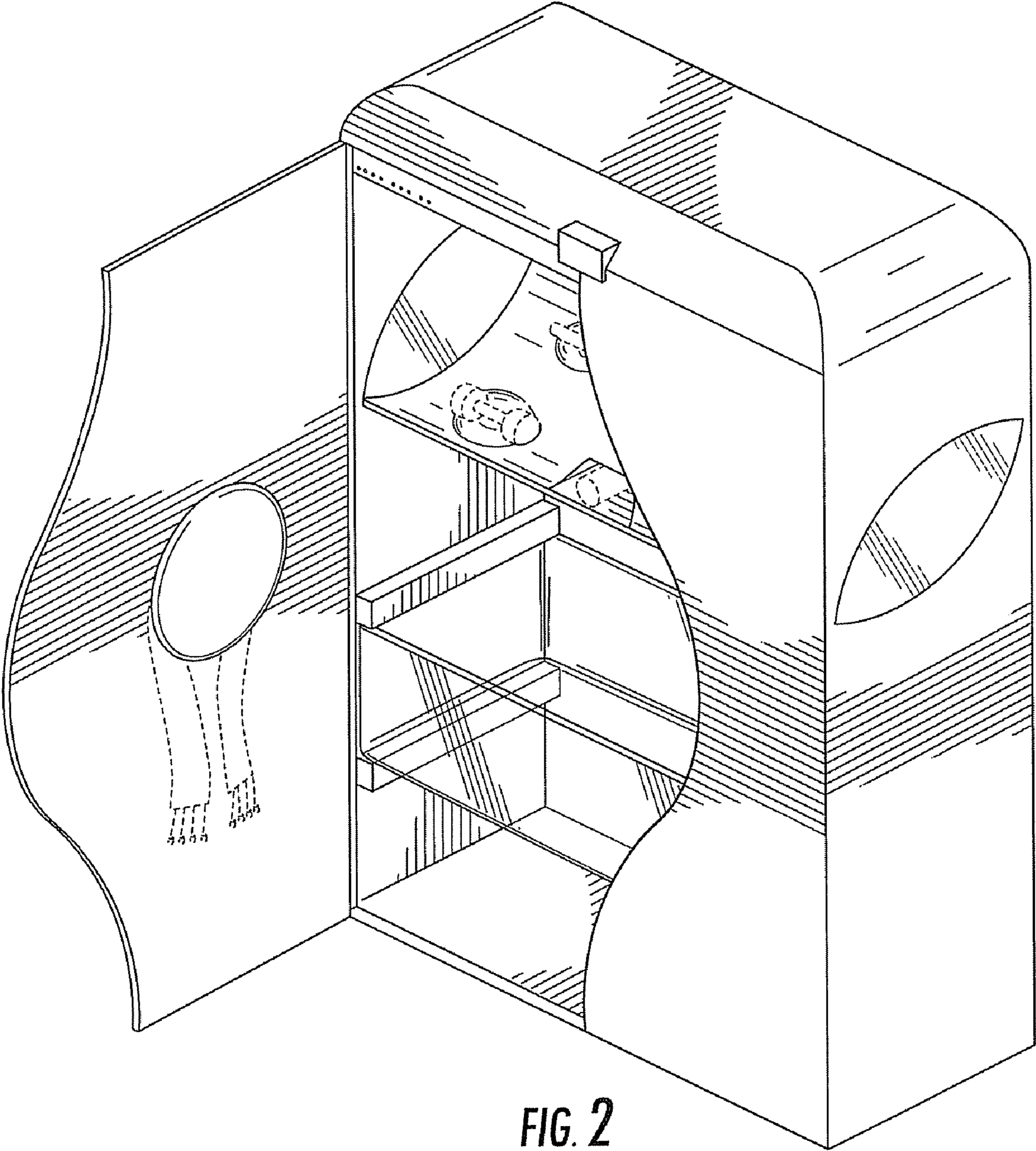


FIG. 2

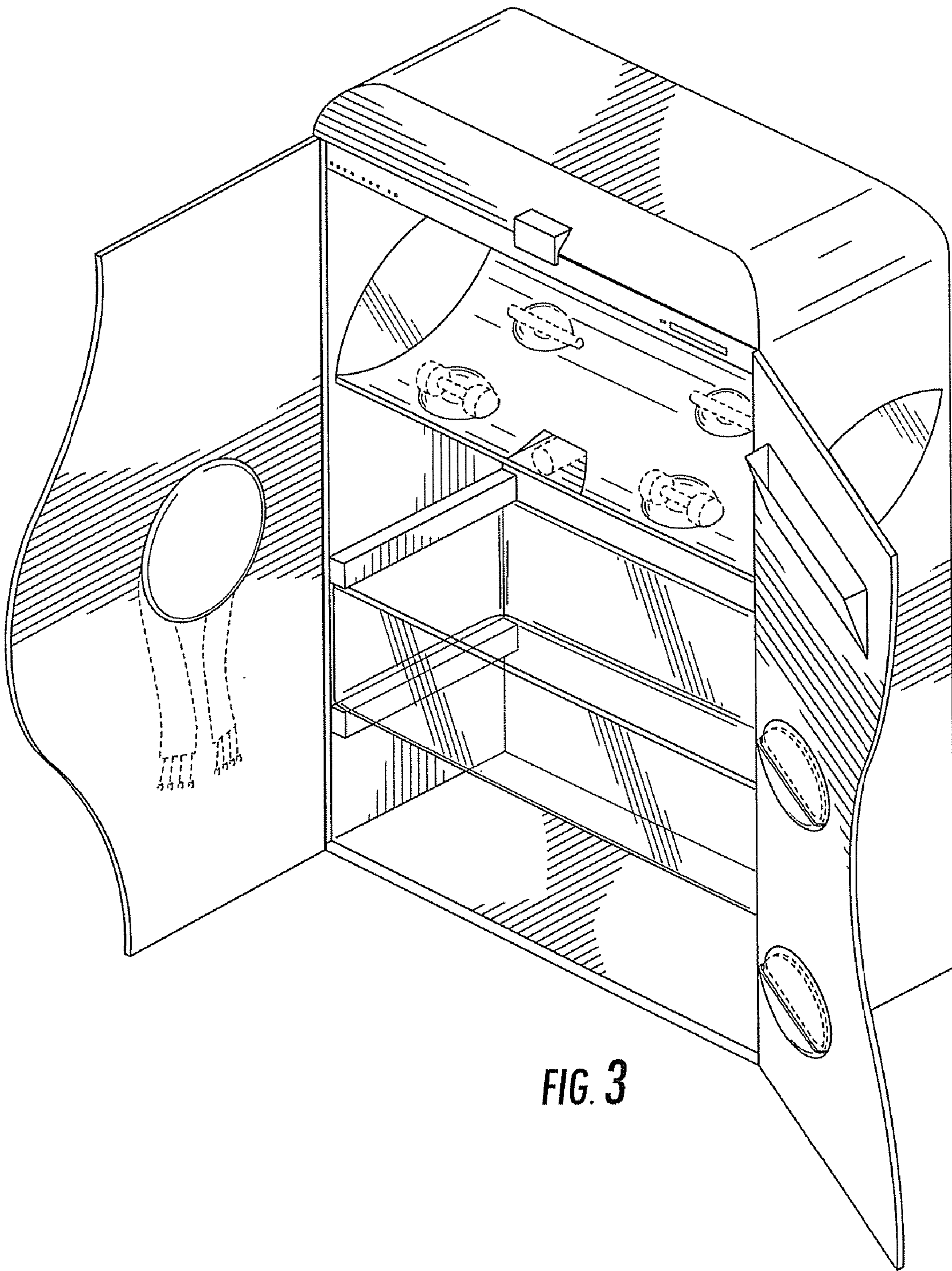


FIG. 3

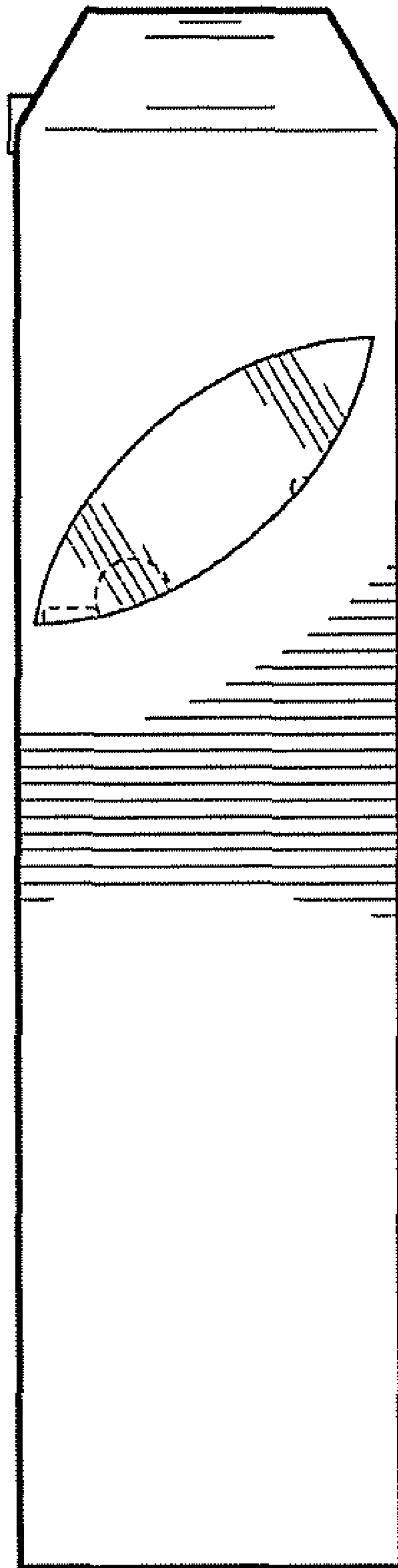


FIG. 4

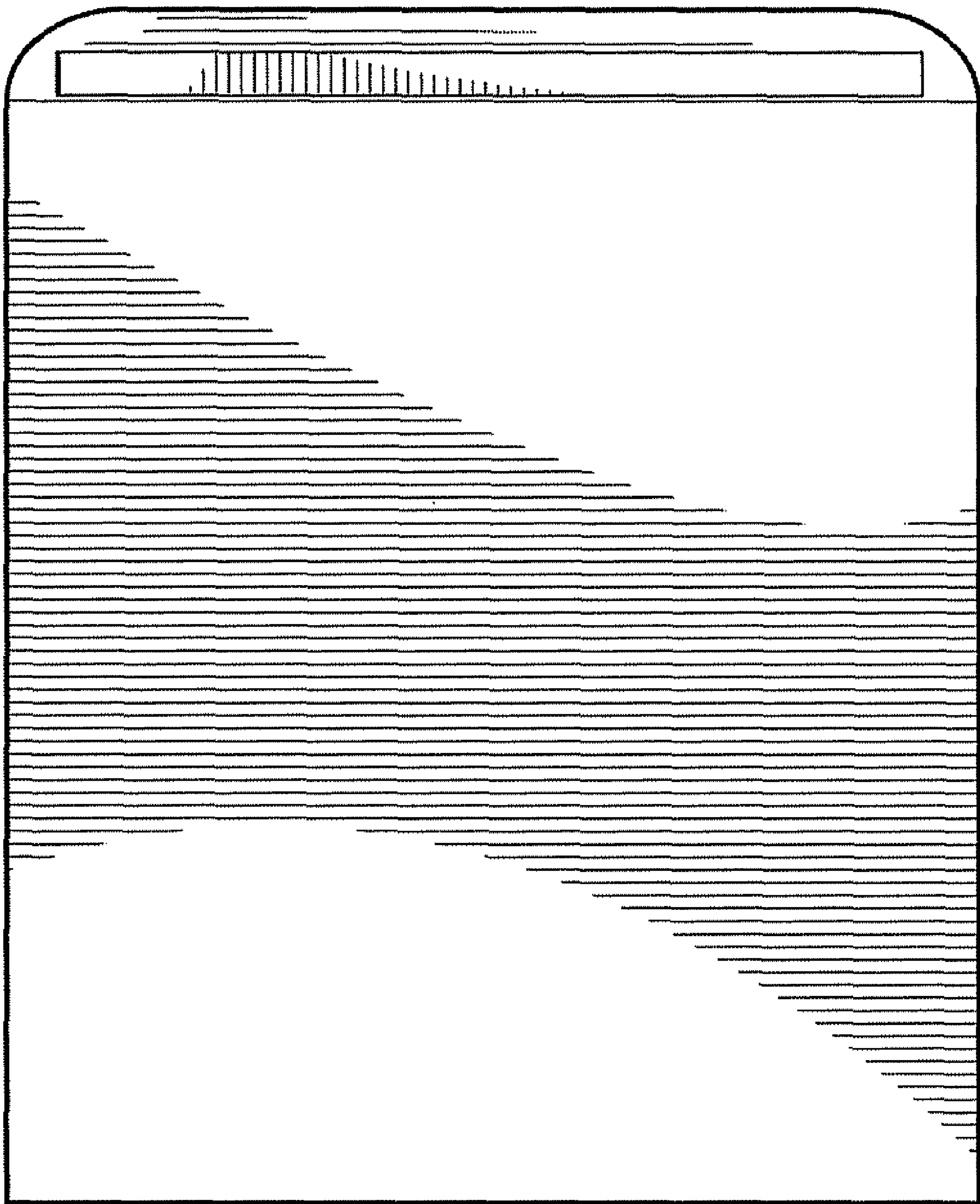


FIG. 5

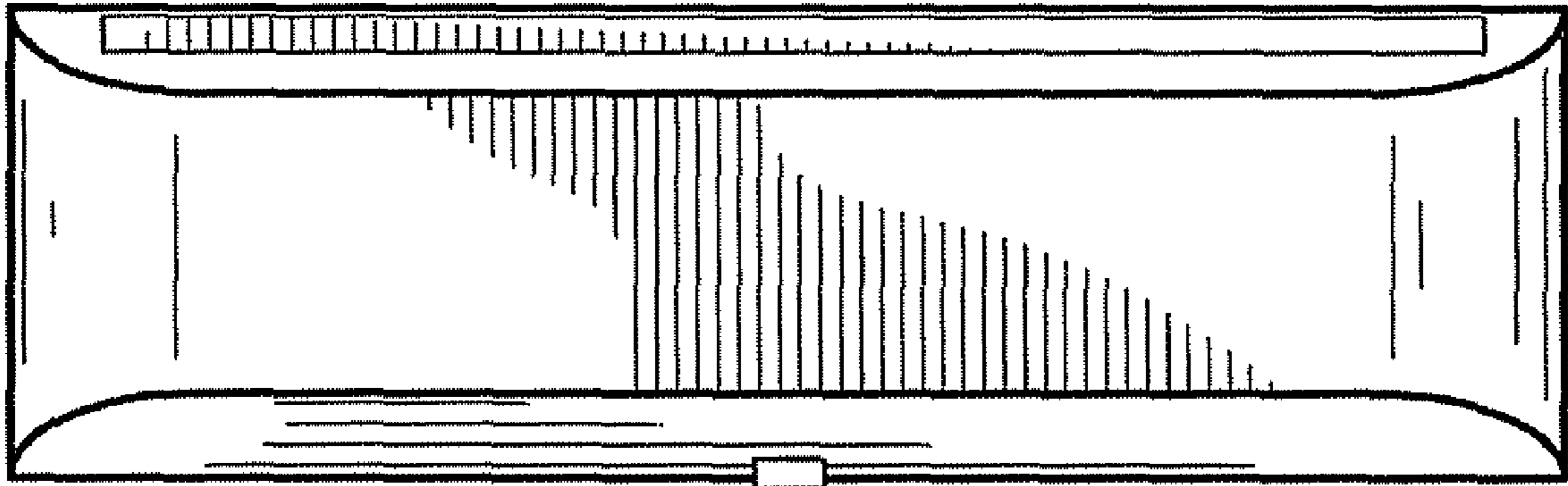


FIG. 6

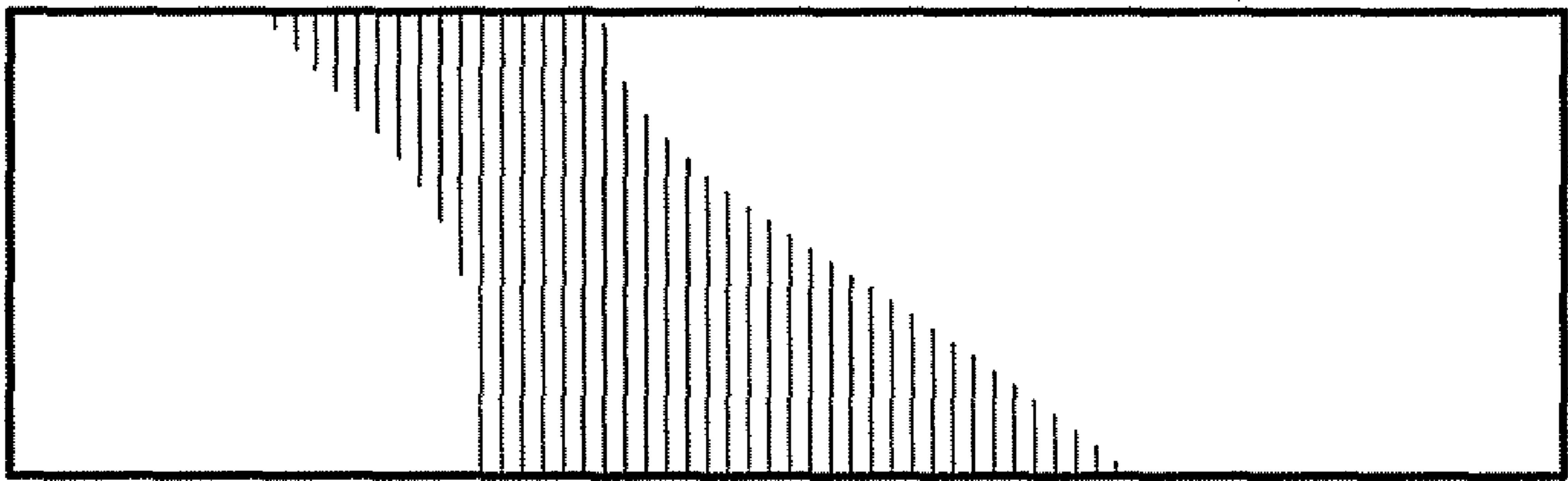


FIG. 7

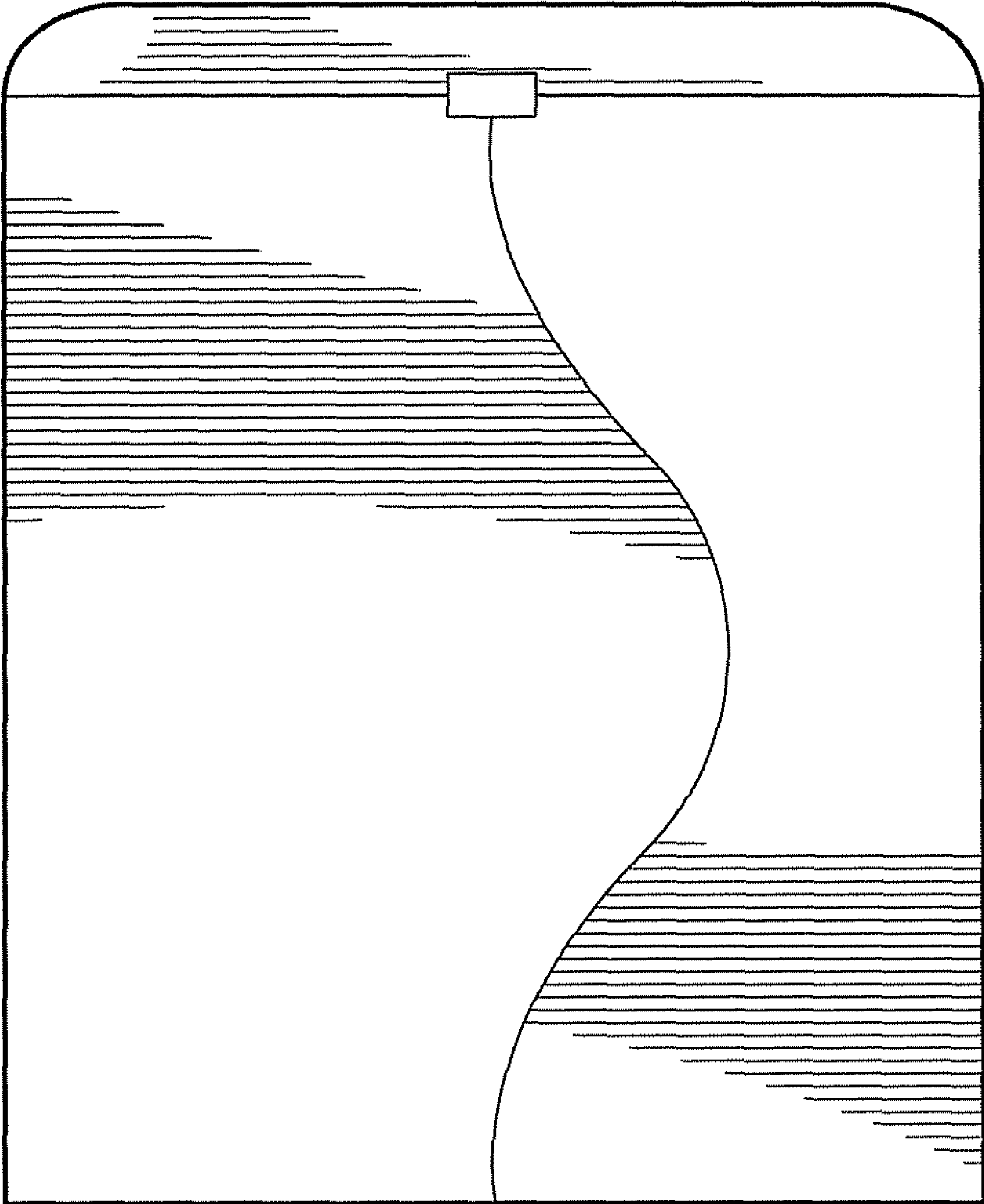


FIG. 8

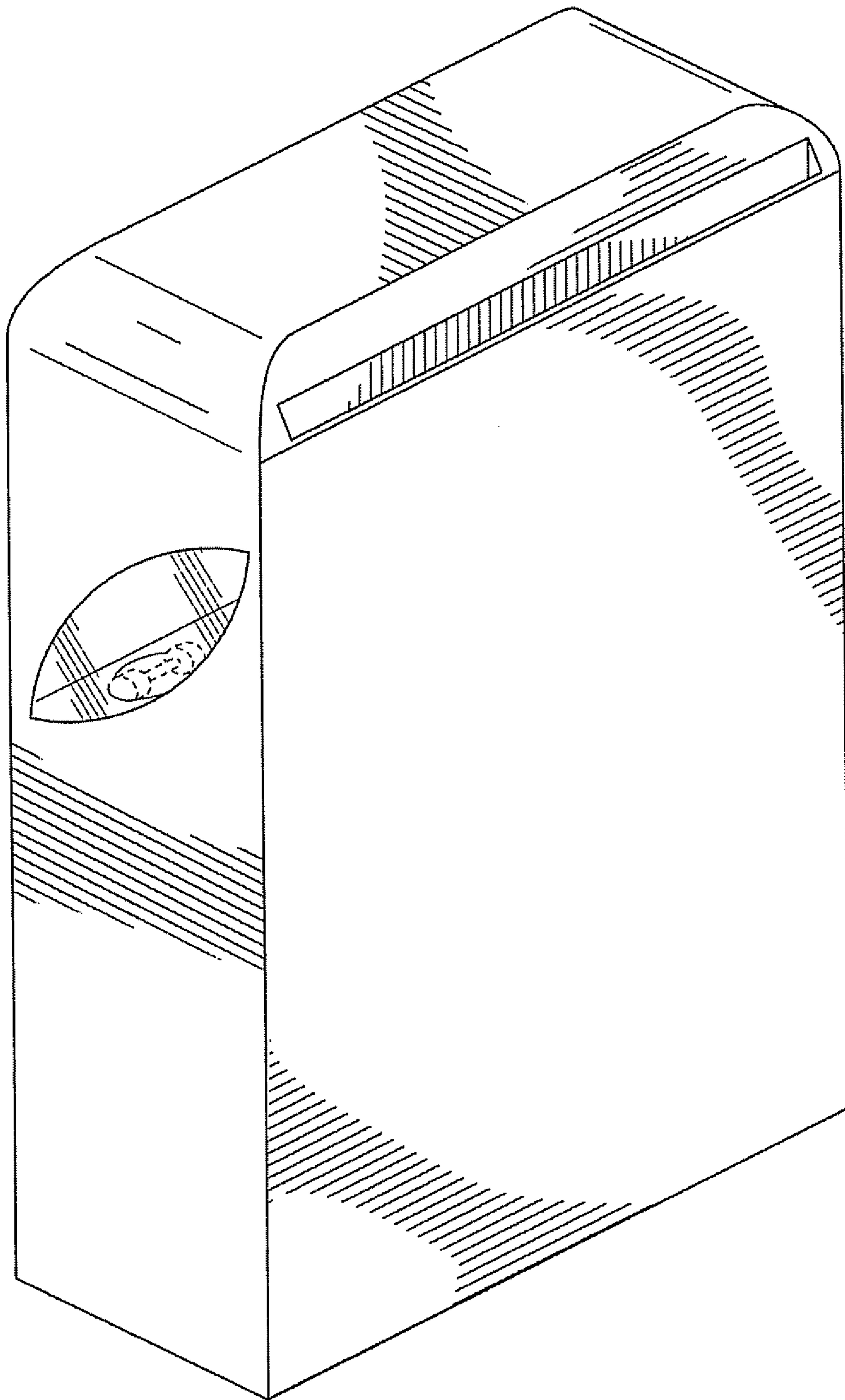


FIG. 9